



US00D572567S

(12) **United States Design Patent**
Flynn

(10) **Patent No.:** **US D572,567 S**

(45) **Date of Patent:** **** Jul. 8, 2008**

(54) **HANDLE FOR A TOILET SEAT LIFTER**

(76) **Inventor:** **Franklin Flynn**, 4076 Ashland City Rd.,
Clarksville, TN (US) 37043

(**) **Term:** **14 Years**

(21) **Appl. No.:** **29/286,170**

(22) **Filed:** **Apr. 26, 2007**

(51) **LOC (8) Cl.** **08-06**

(52) **U.S. Cl.** **D8/307**

(58) **Field of Classification Search** D8/300,
D8/307, 308, 310, 313, 314, 321; D20/1,
D20/4, 8, 9; D23/303, 309, 311, 312; D3/12,
D3/16, 17; D18/3.1, 4.2, 12; D12/174; D9/439;
D21/386; 16/110.1, 430, 433, 440, 441,
16/443, DIG. 30, 904, 442; 4/246.1, 246.3;
411/301; 292/347; 70/455; 181/128; 36/34 R;
40/331; 235/144 PN

See application file for complete search history.

(56) **References Cited**

U.S. PATENT DOCUMENTS

2,878,594	A *	3/1959	Fitzsimmons	36/34 R
D191,497	S	10/1961	Hottle		
3,191,193	A *	6/1965	Bogenberger	4/246.1
D202,772	S *	11/1965	Henry	D8/307
D226,180	S *	1/1973	Lutzker	D9/439
3,717,884	A	2/1973	Mantooth		
3,783,455	A	1/1974	Vanderbrook		
4,512,046	A	4/1985	Riggle		
5,086,523	A	2/1992	De Mott et al.		
5,590,425	A	1/1997	Janik, Jr.		
5,729,839	A	3/1998	Bigelow		
5,963,992	A	10/1999	Bonner		
6,163,894	A	12/2000	Simonds		
6,212,694	B1	4/2001	Porzio		

6,386,314	B1 *	5/2002	Sheehan et al.	181/129
6,634,032	B1	10/2003	Janik		
6,721,964	B1	4/2004	Marshall		
6,842,916	B1	1/2005	Gunn et al.		
2005/0262623	A1	12/2005	Holloway et al.		
2006/0064806	A1	3/2006	Kuo		
2006/0162057	A1	7/2006	Pratt		
2007/0017014	A1	1/2007	Dismuke		

* cited by examiner

Primary Examiner—Paula A Greene

(74) *Attorney, Agent, or Firm*—Waddey & Patterson; Dennis H. Nunez

(57) **CLAIM**

What is claimed is the ornamental design for a handle for a toilet seat lifter, as shown and described.

DESCRIPTION

FIG. 1 is a top view showing the handle for a toilet seat lifter of applicant's invention.

FIG. 2 is a front view of the handle for a toilet seat lifter of applicant's invention.

FIG. 3 is a side view of the handle for a toilet seat lifter of applicant's invention.

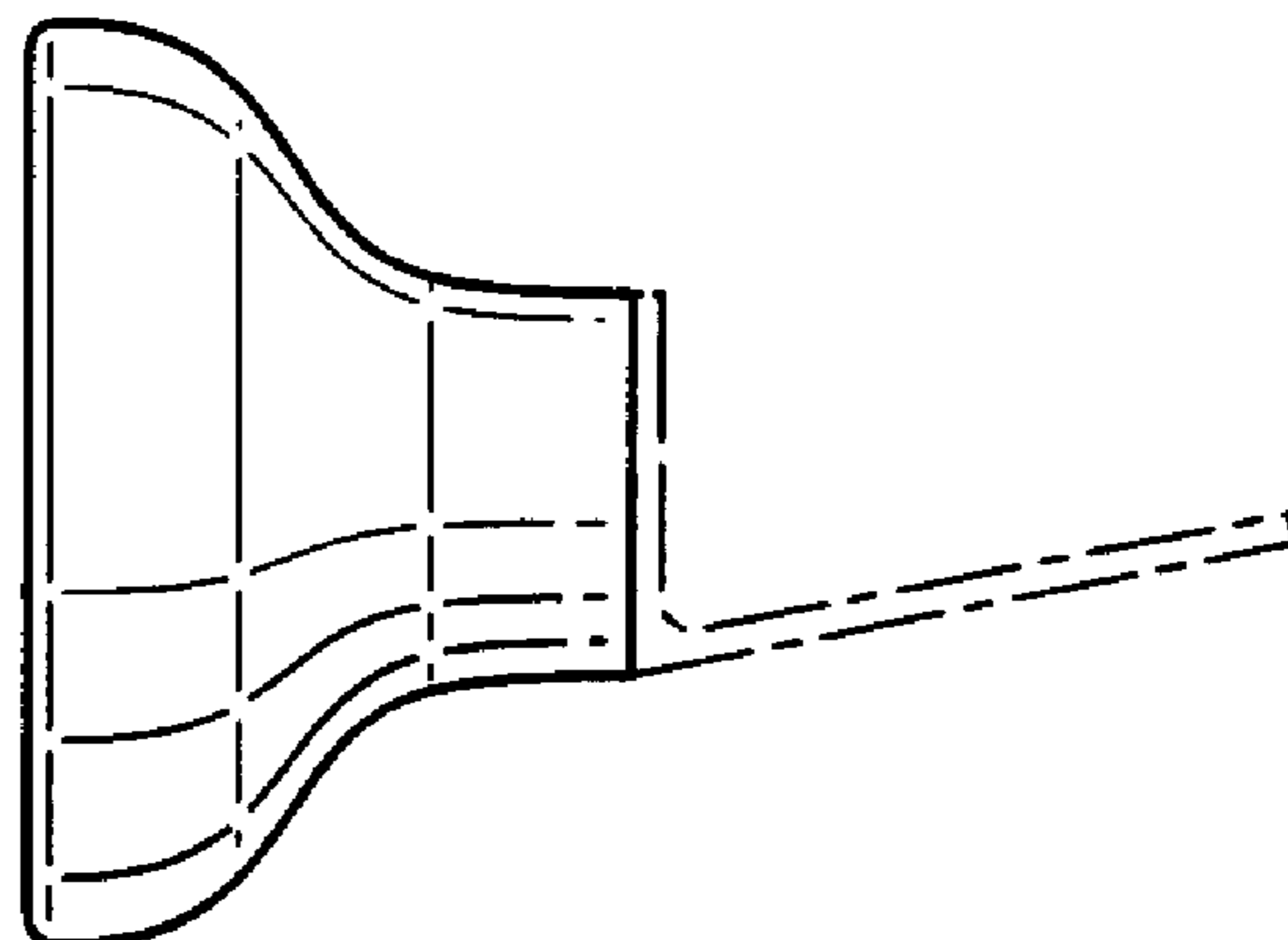
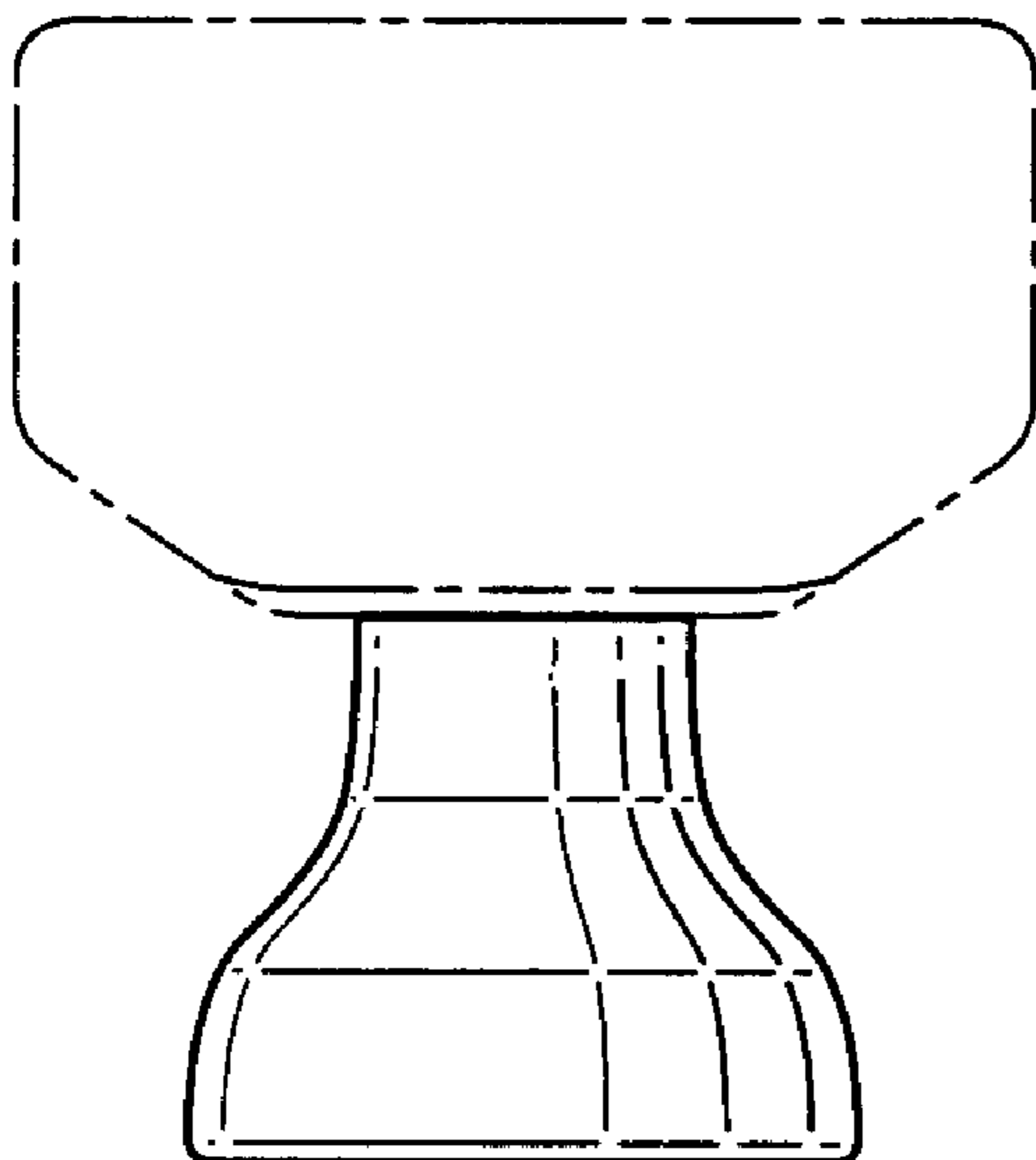
FIG. 4 is a back view of the handle for a toilet seat lifter, the undisclosed portion is not part of the claimed design;

FIG. 5 is another top view of the handle for a toilet seat lifter of applicant's invention; and,

FIG. 6 is a perspective view of the handle for a toilet seat lifter on the unclaimed environment of the closed toilet seat.

The broken lines showing of the words "Logo Here" and environment are included for the purpose of illustration and form no part of the claimed design.

1 Claim, 2 Drawing Sheets



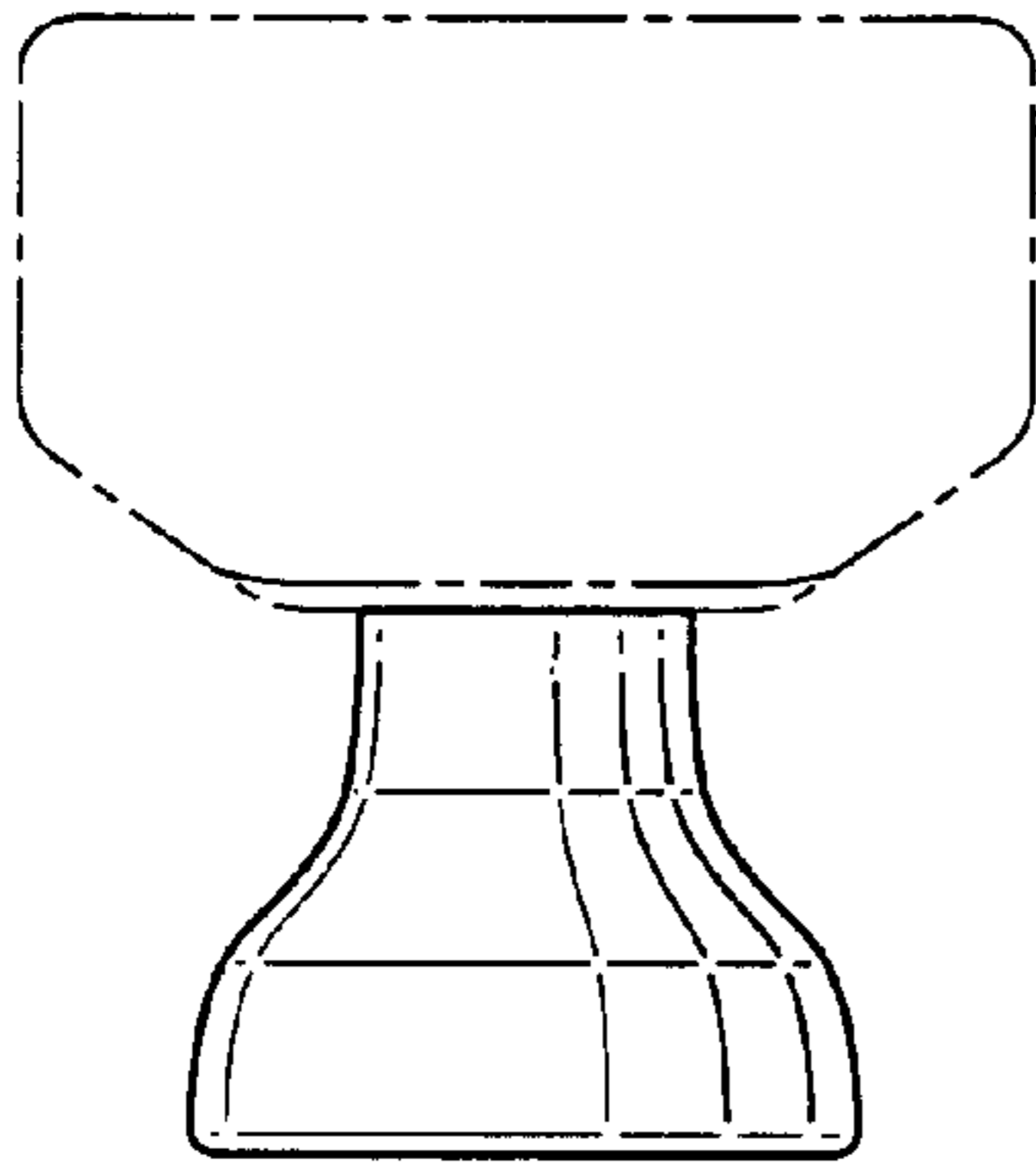


FIG. 1



FIG. 2

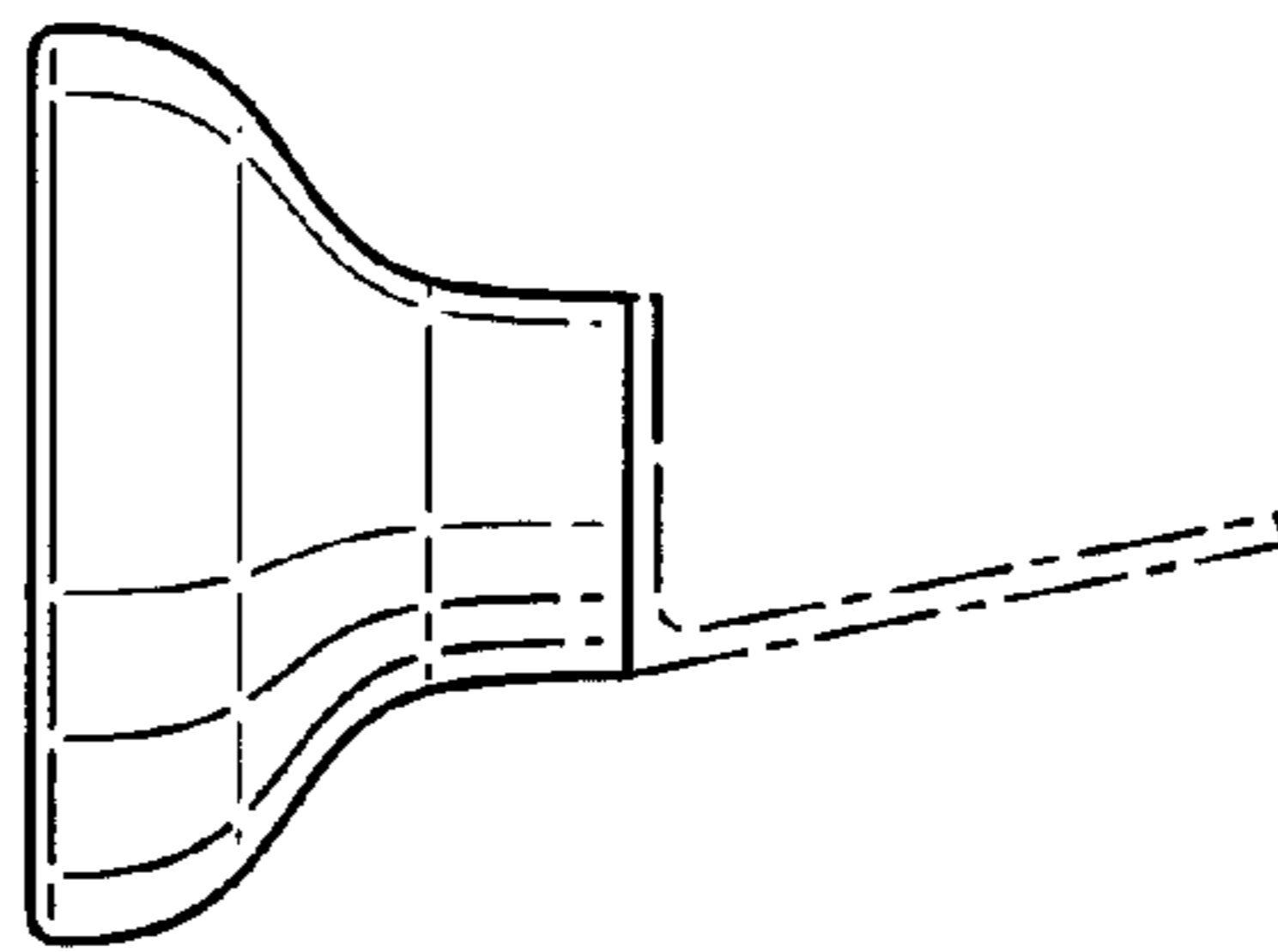


FIG. 3

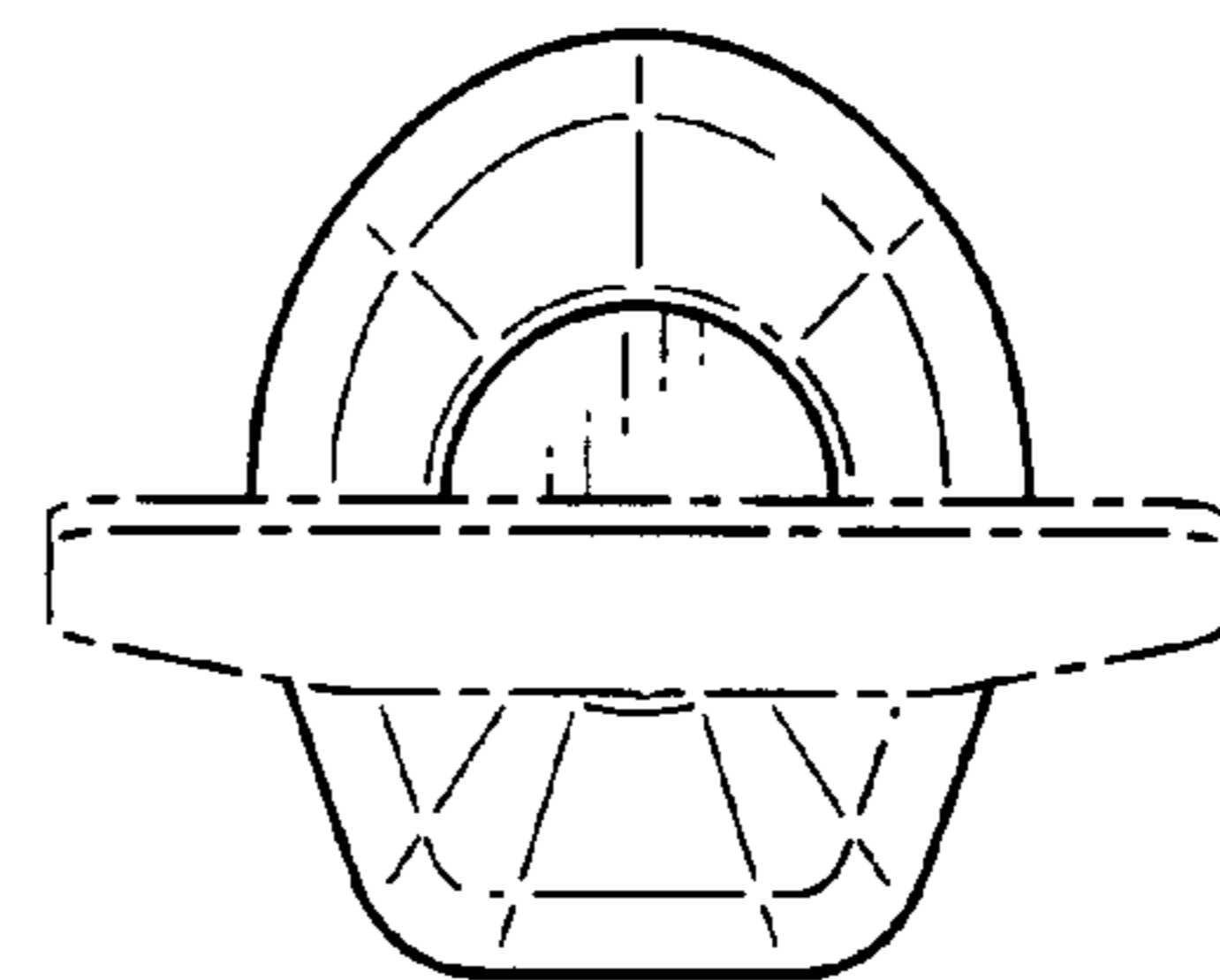


FIG. 4

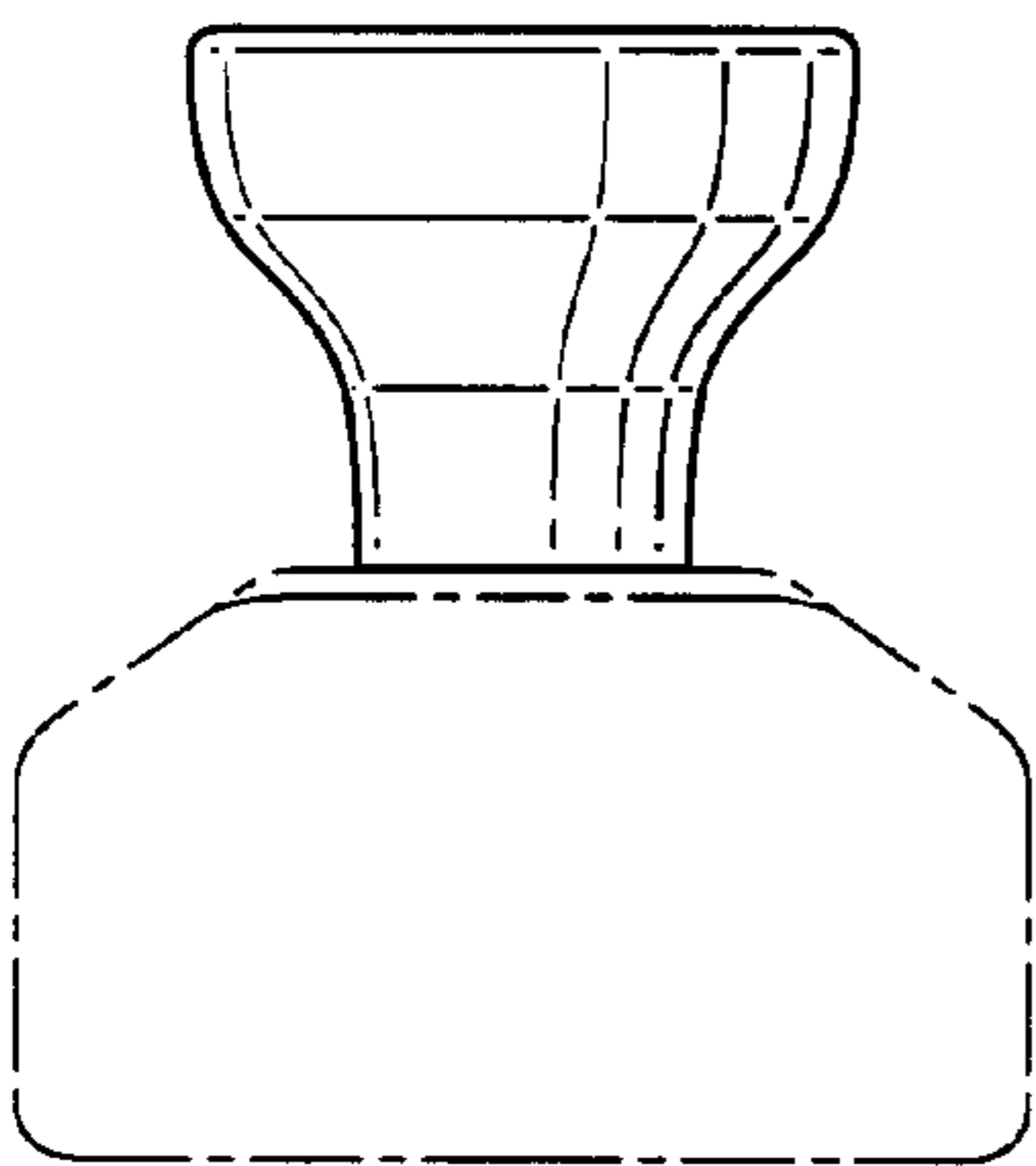


FIG. 5

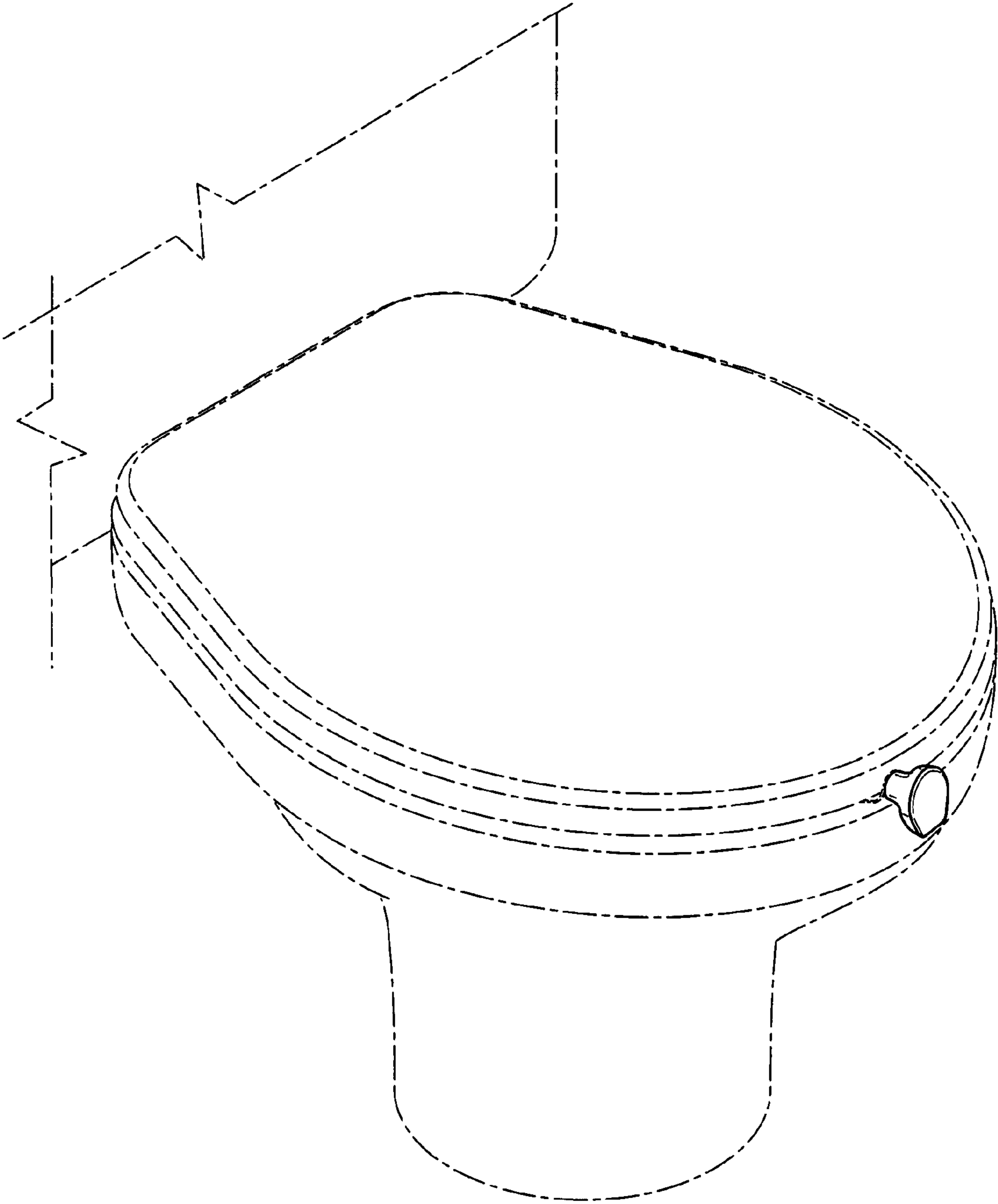


FIG. 6