



US00D572565S

(12) **United States Design Patent**
Perez et al.

(10) **Patent No.:** **US D572,565 S**
(45) **Date of Patent:** **** Jul. 8, 2008**

(54) **HANDLE FOR TAPING KNIFE WITH ENLARGED HAMMER END**
(75) Inventors: **Ricardo Perez**, Hartford, CT (US);
Jason Lind, Barkhamsted, CT (US);
Matthew Earle Myers, Naperville, IL (US)

(73) Assignee: **United States Gypsum Company**,
Chicago, IL (US)

(**) Term: **14 Years**

(21) Appl. No.: **29/295,993**

(22) Filed: **Oct. 11, 2007**

5,615,445 A	4/1997	Kelsay et al.	
D389,720 S	1/1998	Warner et al.	
D397,281 S	8/1998	Hsu et al.	
5,850,663 A	12/1998	Hardy et al.	
5,920,943 A	7/1999	Barker	
D414,395 S	9/1999	Panfili	
5,956,799 A	9/1999	Panaccione et al.	
D422,475 S *	4/2000	Su	D8/83
6,131,290 A	10/2000	Chiou	
D441,269 S	5/2001	Tsai	
D444,692 S	7/2001	Marquardt	
D446,104 S	8/2001	Chen	
D446,437 S	8/2001	Chen	
D462,251 S	9/2002	Collins et al.	
6,453,563 B1	9/2002	Farland	
D468,989 S *	1/2003	Gringer et al.	D8/107
RE38,093 E	4/2003	Chiou	
6,588,113 B2	7/2003	Bozikis et al.	

Related U.S. Application Data

(60) Division of application No. 29/270,691, filed on Dec. 29, 2006, now Pat. No. Des. 553,940, which is a continuation of application No. 29/234,783, filed on Jul. 22, 2005, now Pat. No. Des. 541,617.

(51) **LOC (8) Cl.** **08-05**
(52) **U.S. Cl.** **D8/107**
(58) **Field of Classification Search** D8/45,
D8/14, 107, 21, 27, 47, 82-87, 99-101, DIG. 7;
D7/393, 395, 688, 693; 15/235.3, 236.01;
16/DIG. 12, DIG. 18, DIG. 19, 110.1, 421,
16/422, 430, 431, 435; 81/177.1, 436-439,
81/489-492, 60-62, 63.1; 192/43.2
See application file for complete search history.

(56) **References Cited**

U.S. PATENT DOCUMENTS

D157,904 S	3/1950	Reusch	
D206,517 S	12/1966	Han	
3,971,094 A	7/1976	Solf et al.	
D244,747 S *	6/1977	Solf	D8/107
D282,716 S	2/1986	Heinis et al.	
4,719,660 A	1/1988	Hopkins	
D319,379 S	8/1991	Cummings et al.	
D331,692 S *	12/1992	Rieser	D8/107
5,390,572 A	2/1995	Gakhar et al.	

(Continued)

Primary Examiner—Cathron Brooks
Assistant Examiner—Barbara Fox
(74) *Attorney, Agent, or Firm*—Greer, Burns & Crain, Ltd.;
David F. Janci, Esq.; Pradip Sahu, Esq.

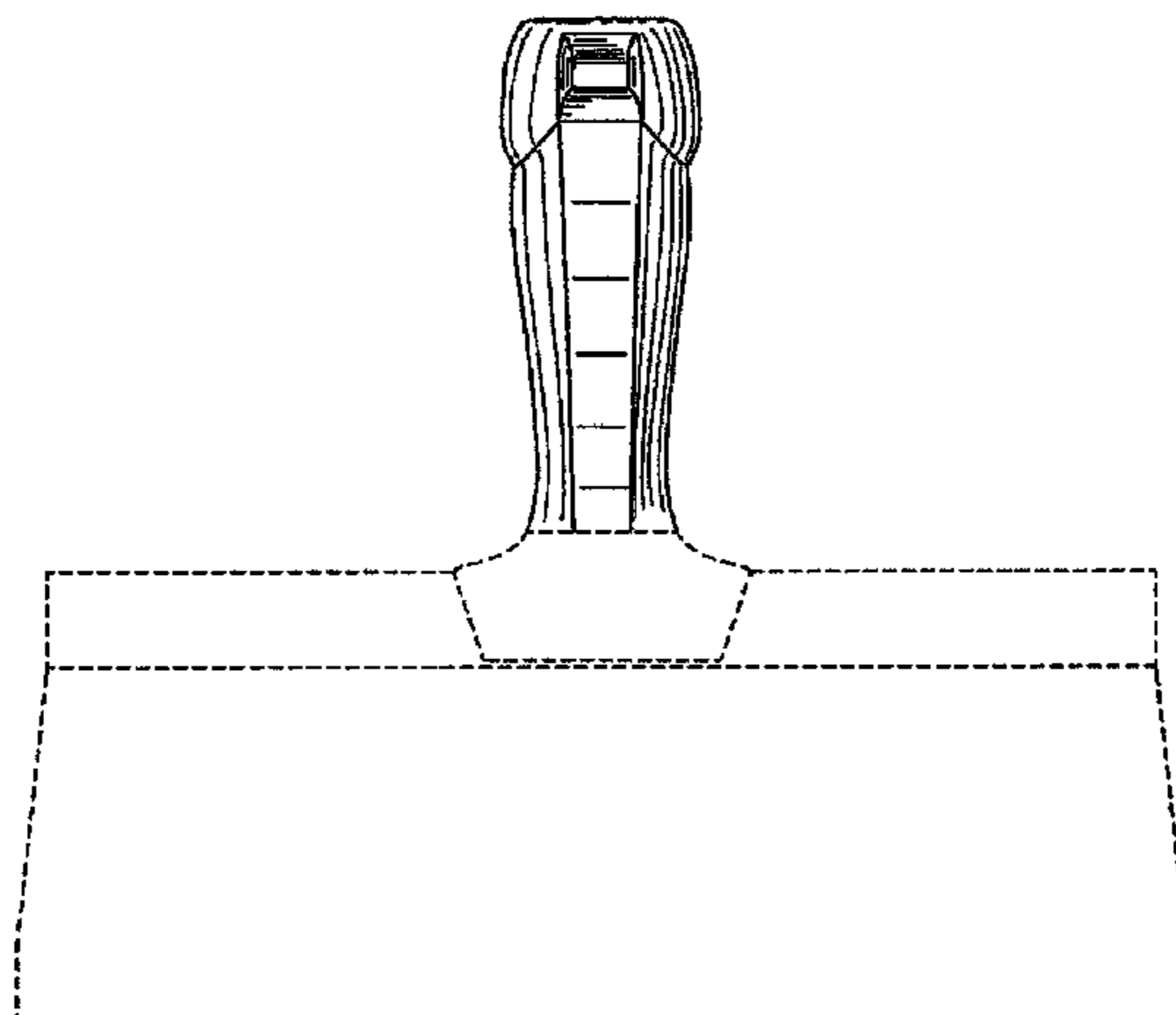
(57) **CLAIM**

The ornamental design for a handle for taping knife with enlarged hammer end, as shown and described.

DESCRIPTION

FIG. 1 is a front view of the handle for taping knife with enlarged hammer end showing our new design, the rear view being identical;
FIG. 2 is a left side view of the handle of FIG. 1, the right side being identical;
FIG. 3 is a top view of the handle of FIG. 1;
FIG. 4 is a bottom view of the handle of FIG. 1; and,
FIG. 5 is a top perspective view of the handle of FIG. 1.
The subject matter depicted in broken lines is not intended to be part of the claimed invention and is shown only for environment purposes.

1 Claim, 3 Drawing Sheets



US D572,565 S

Page 2

U.S. PATENT DOCUMENTS

D481,610 S *	11/2003	Neumann et al.	D8/107	6,742,215 B2	6/2004	Panfili et al.	
D482,259 S	11/2003	Chen		D494,830 S	8/2004	Konen	
6,647,629 B2	11/2003	Farland		D495,227 S	8/2004	Hung	
D482,874 S	12/2003	Dotterman		D498,124 S	11/2004	Mitchell	
D483,244 S	12/2003	Chen		D500,600 S	1/2005	Hay et al.	
D483,638 S	12/2003	Jimenez		D516,893 S	3/2006	Kuo	
D484,021 S	12/2003	Mariol		D525,850 S	8/2006	Huang	
6,668,751 B1	12/2003	Henke		D526,875 S	8/2006	Chen	
D486,046 S	2/2004	Norton		D553,923 S *	10/2007	Ross	D8/14
D487,219 S	3/2004	Chudy et al.		2003/0084545 A1	5/2003	Cheng	
D487,387 S	3/2004	Chen		2007/0017101 A1	1/2007	Perez et al.	
				2007/0074401 A1	4/2007	Myers et al.	

* cited by examiner

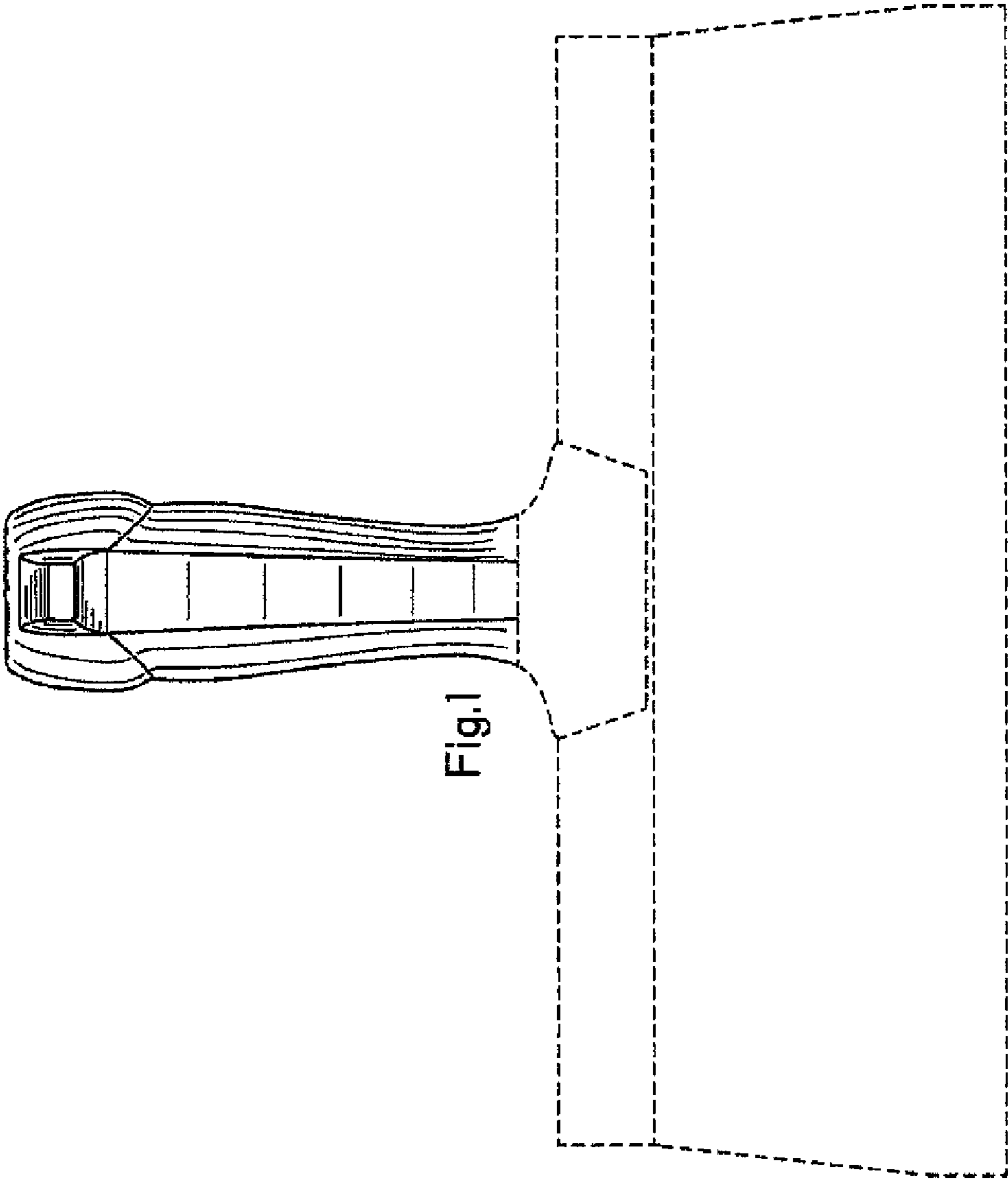


Fig.1



Fig. 2



Fig. 3



Fig. 4

