

US00D572563S

(12) **United States Design Patent**
McRoberts et al.

(10) **Patent No.:** **US D572,563 S**
(45) **Date of Patent:** **** Jul. 8, 2008**

(54) **AUXILIARY HANDLE FOR A
RECIPROCATING SAW**

(75) Inventors: **Jason McRoberts**, Redline, PA (US);
Terry L. Turner, Westmister, MD (US);
Jason Busschaert, Towson, MD (US);
Ruth Mitchener, Baltimore, MD (US);
Vincent P. Cooper, Baltimore, MD (US)

(73) Assignee: **Black & Decker Inc.**, Newark, DE (US)

(**) Term: **14 Years**

(21) Appl. No.: **29/255,593**

(22) Filed: **Mar. 9, 2006**

(51) **LOC (8) Cl.** **08-05**

(52) **U.S. Cl.** **D8/107**

(58) **Field of Classification Search** D8/61,
D8/64-69, 107; 16/110.1, 421-422, 426-431,
16/DIG. 40; 30/394, 393, 392, 514, 517;
74/543; 173/18, 161, 170; 83/153, 154,
83/729; 81/177.1-177.7, 436, 439-440,
81/489, 417

See application file for complete search history.

(56) **References Cited**

U.S. PATENT DOCUMENTS

715,056	A *	12/1902	Bruner	294/58
1,083,054	A *	12/1913	Brown	294/58
4,881,294	A	11/1989	Riedl		
D360,341	S *	7/1995	Hirooka et al.	D8/8
D370,612	S *	6/1996	Meakin et al.	D8/107
D376,525	S *	12/1996	Benson	D8/64
5,867,910	A *	2/1999	Stegall et al.	30/272.1
6,230,367	B1	5/2001	Riedl		
D483,236	S *	12/2003	Martin et al.	D8/8
6,769,338	B2	8/2004	Svetlik et al.		
D524,824	S *	7/2006	Shaffer et al.	D15/10
D530,580	S *	10/2006	Hayakawa et al.	D8/64

7,131,401	B2 *	11/2006	Huff et al.	119/796
D545,656	S *	7/2007	Welsh	D8/64
2002/0125022	A1 *	9/2002	Dieterle et al.	173/170
2005/0082072	A1	4/2005	Nicolantonio et al.		

FOREIGN PATENT DOCUMENTS

DE 4132058 4/1993

* cited by examiner

Primary Examiner—Cathron Brooks

Assistant Examiner—Barbara Fox

(74) *Attorney, Agent, or Firm*—Harness, Dickey & Pierce, P.L.C.

(57) **CLAIM**

The ornamental design for an auxiliary handle for a reciprocating saw, as shown and described.

DESCRIPTION

FIG. 1 is a perspective view of an auxiliary handle of the present disclosure mounted on a reciprocating saw;

FIG. 2 is a perspective view of the auxiliary handle of FIG. 1;

FIG. 3 is a front elevation view of the auxiliary handle of FIG. 2;

FIG. 4 is a right side elevation view of the auxiliary handle of FIG. 2;

FIG. 5 is a rear elevation view of the auxiliary handle of FIG. 2;

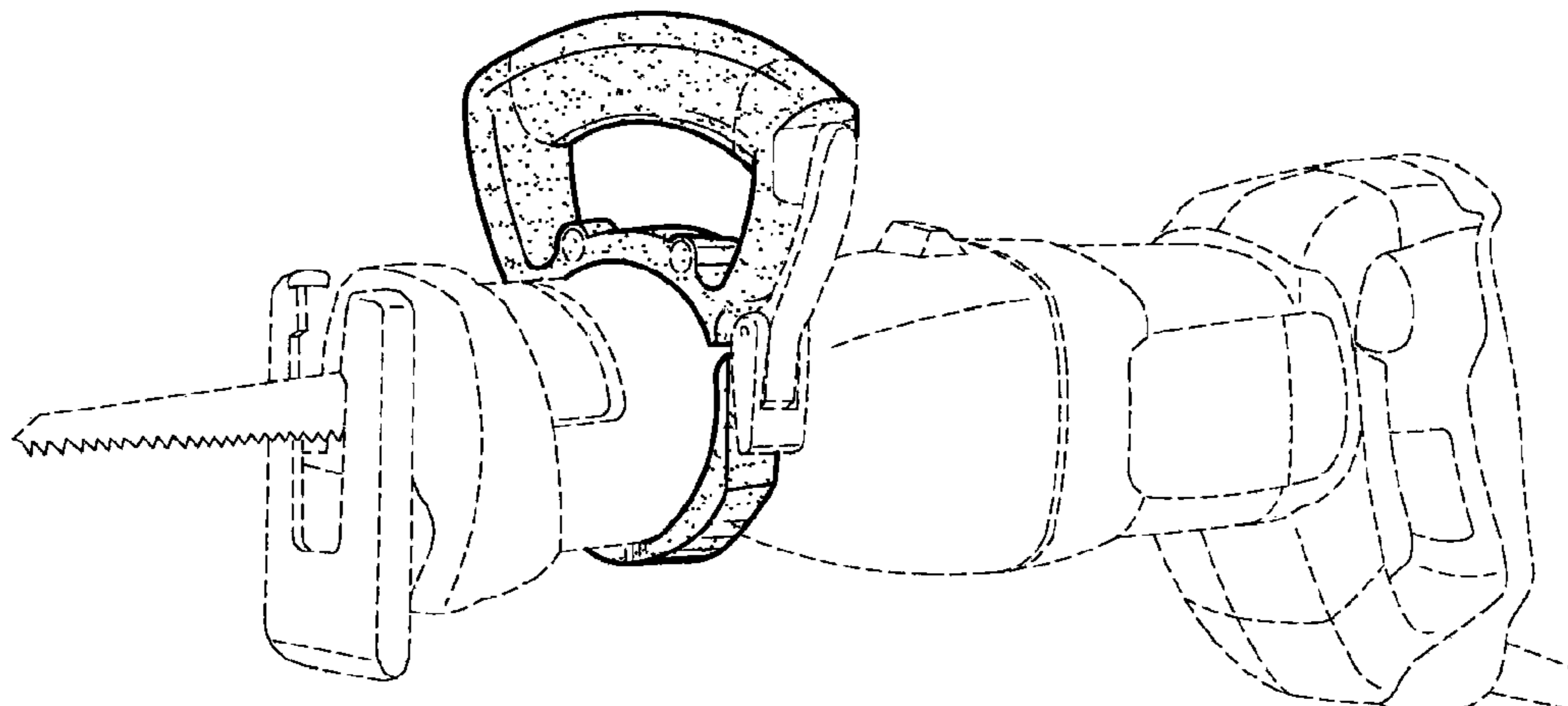
FIG. 6 is a left side elevation view of the auxiliary handle of FIG. 2;

FIG. 7 is a top plan view of the auxiliary handle of FIG. 2; and,

FIG. 8 is a bottom plan view of the auxiliary handle of FIG. 2.

The broken line showing of portions of the auxiliary handle for a reciprocating saw forms no part of the claimed design.

1 Claim, 4 Drawing Sheets



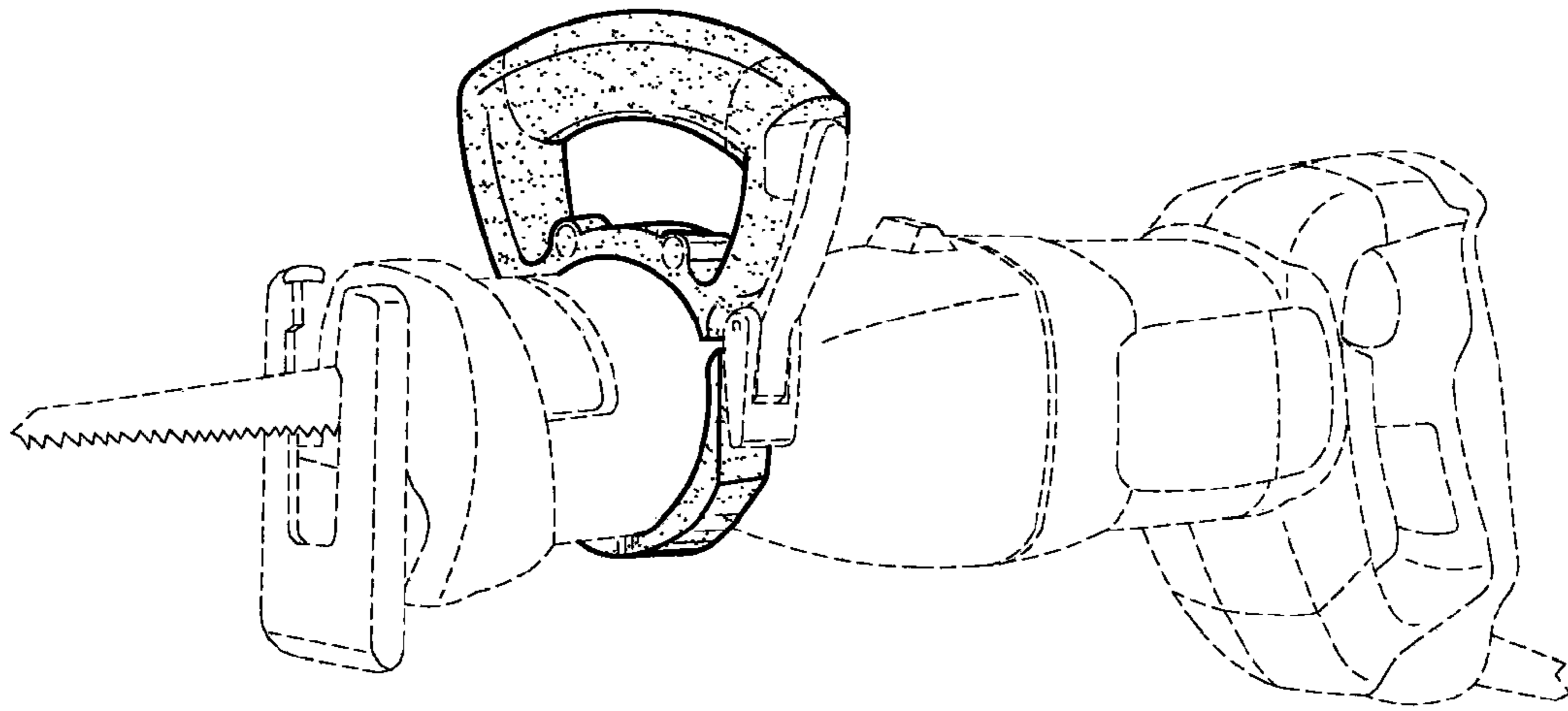


FIG - 1

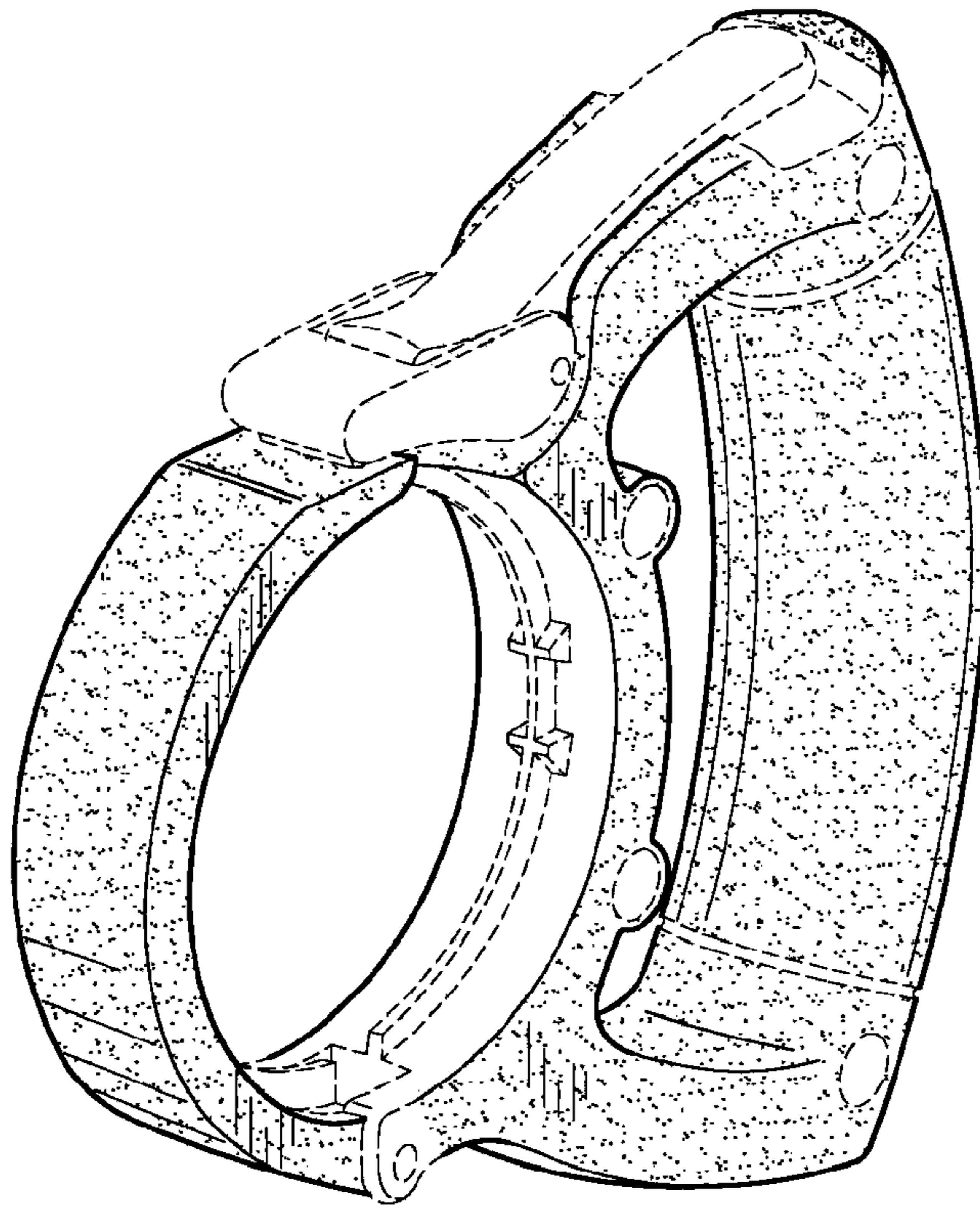


FIG - 2

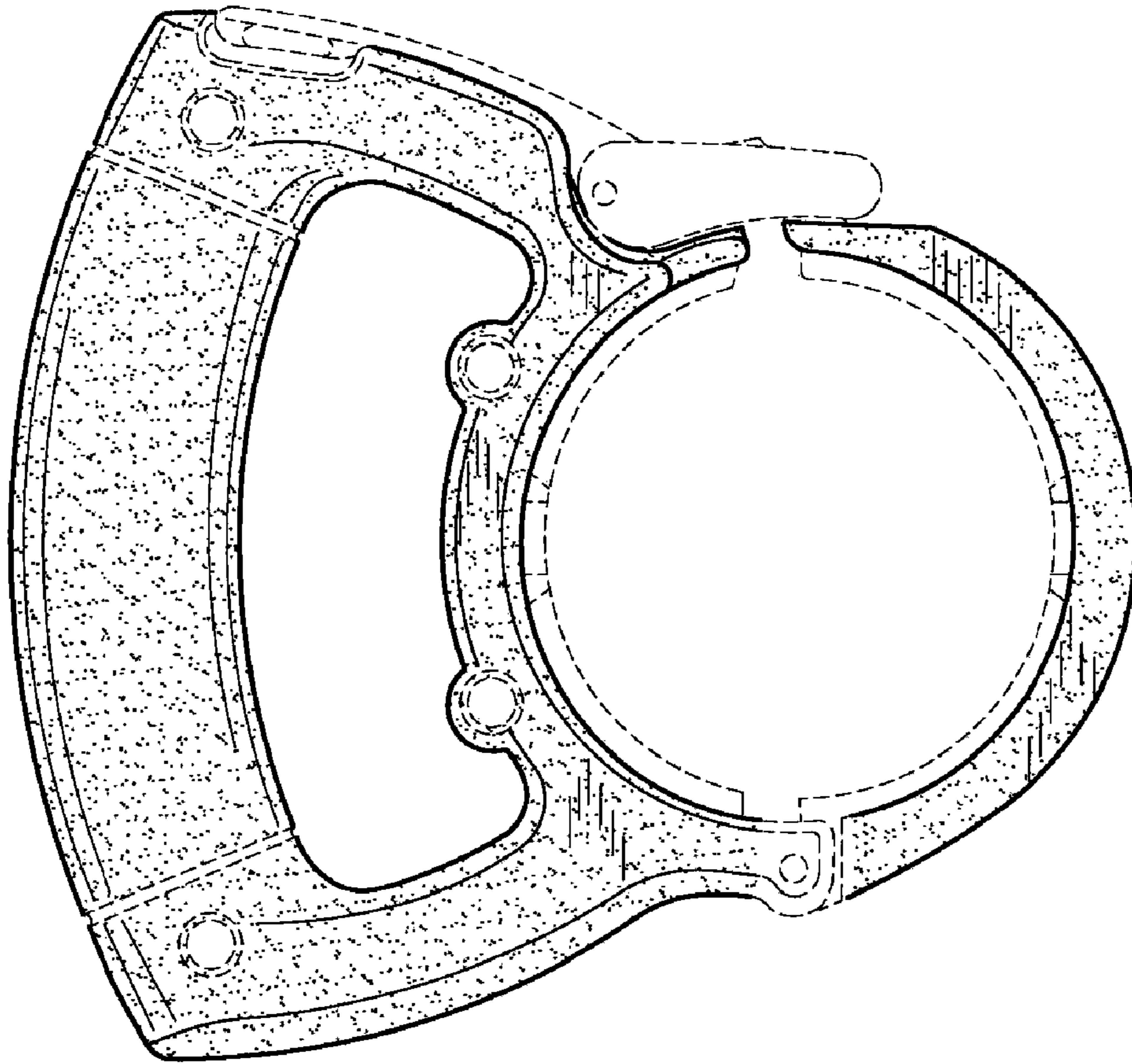


FIG - 3

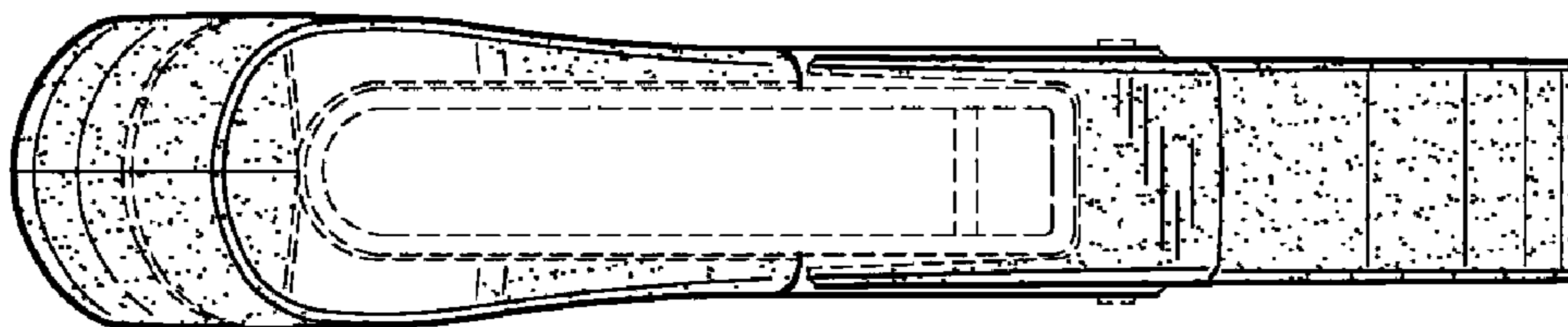


FIG - 4

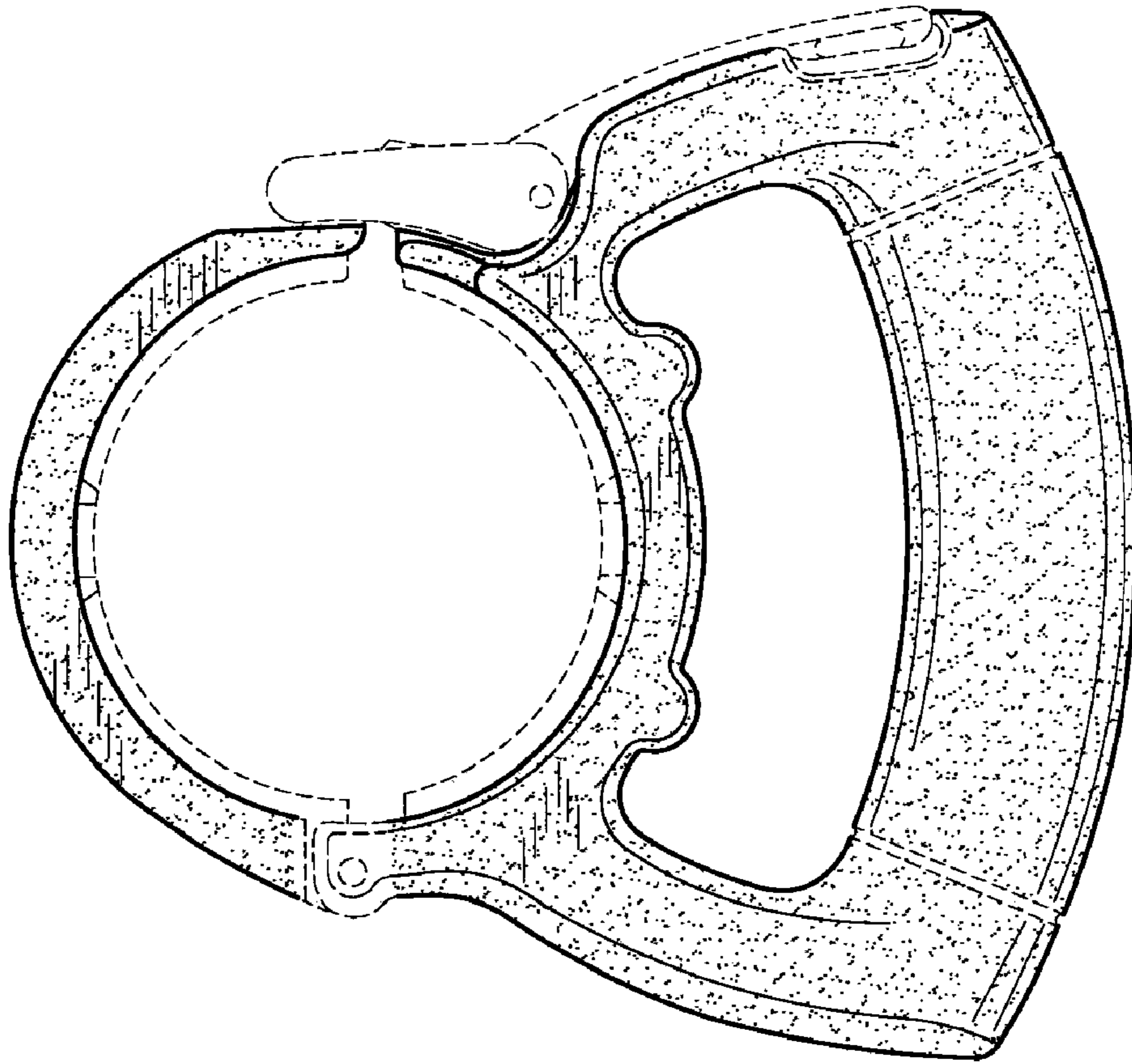


FIG - 5

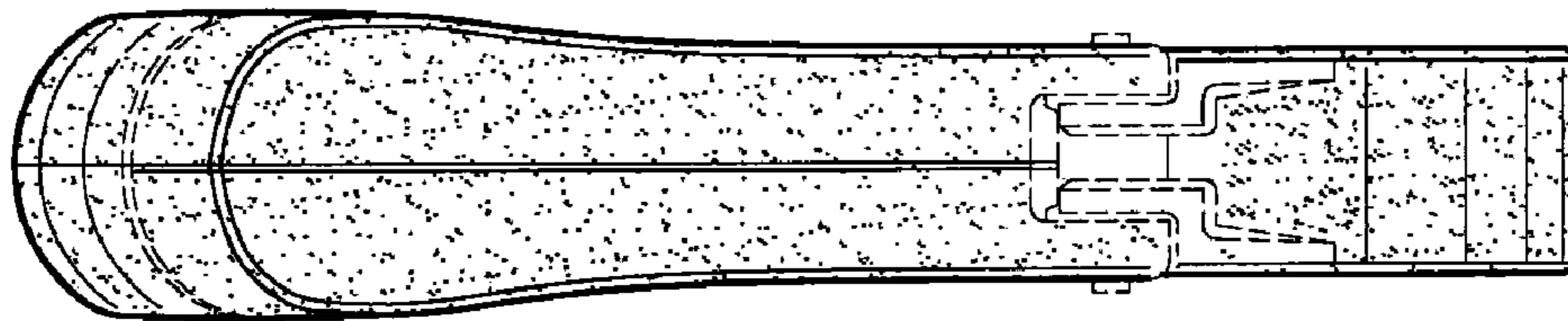


FIG - 6

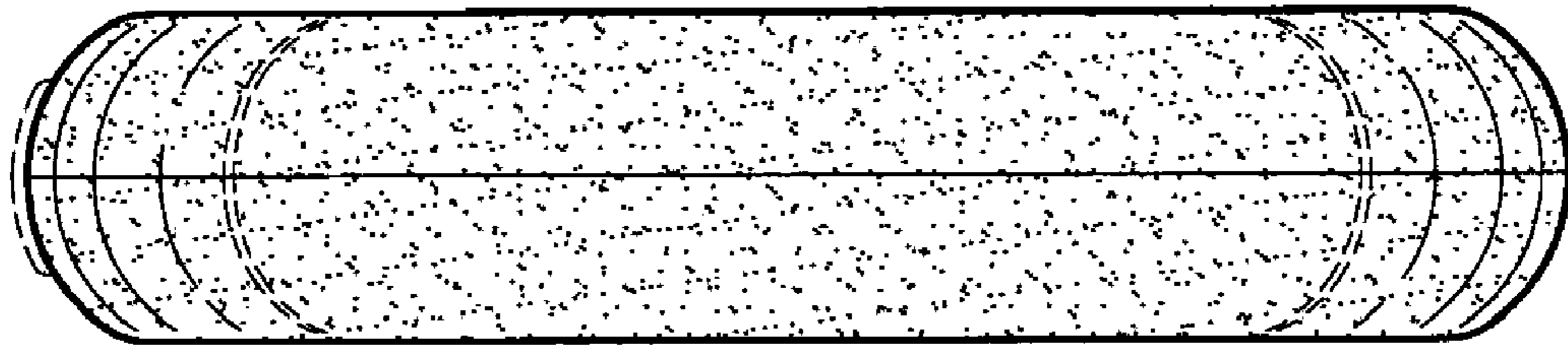


FIG - 7

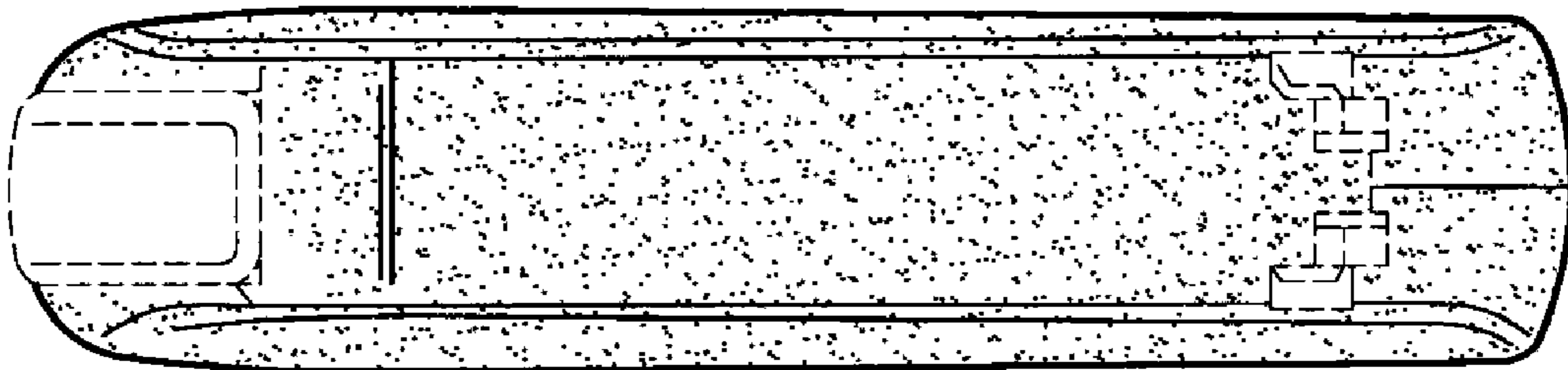


FIG - 8