

US00D572562S

(12) **United States Design Patent**
Hawk et al.

(10) **Patent No.:** **US D572,562 S**

(45) **Date of Patent:** **** Jul. 8, 2008**

(54) **FOLDING KNIFE**

(75) Inventors: **Grant W. Hawk**, Idaho City, ID (US);
Gavin D. Hawk, Idaho City, ID (US)

(73) Assignee: **Kai U.S.A., Ltd.**, Tualatin, OR (US)

(**) Term: **14 Years**

(21) Appl. No.: **29/280,905**

(22) Filed: **Jun. 8, 2007**

(51) **LOC (8) Cl.** **08-03**

(52) **U.S. Cl.** **D8/99**

(58) **Field of Classification Search** D8/98,
D8/99, 100, 107; D22/118; 30/155, 156,
30/157, 158, 159, 160, 161

See application file for complete search history.

(56) **References Cited**

U.S. PATENT DOCUMENTS

4,442,600	A	4/1984	Felix-Dalichow	
D347,375	S	5/1994	Sakai	
5,511,310	A	4/1996	Sessions et al.	
5,819,414	A	10/1998	Marifone	
D431,991	S *	10/2000	Elishewitz	D8/99
D450,228	S	11/2001	Onion	
6,427,334	B2	8/2002	Onion	
D464,246	S *	10/2002	Sloan	D8/99
D473,917	S *	4/2003	Carter, III	D22/118
D494,440	S *	8/2004	Carter, III	D8/107
D497,531	S *	10/2004	Carter, III	D8/99
D508,194	S *	8/2005	Carter, III	D8/99
D510,249	S *	10/2005	Ray	D8/99

D513,958	S *	1/2006	Ray	D8/99
D553,469	S *	10/2007	Onion	D8/99
D560,997	S *	2/2008	Onion	D8/99
2003/0070299	A1	4/2003	Frazer	
2004/0020058	A1 *	2/2004	Vallotton	30/160

* cited by examiner

Primary Examiner—Philip S Hyder

(74) *Attorney, Agent, or Firm*—Seed IP Law Group PLLC

(57) **CLAIM**

The ornamental design for a folding knife, substantially as shown and described.

DESCRIPTION

FIG. 1 is a perspective view of a folding knife, with the blade closed, showing our new design.

FIG. 2 is a perspective view thereof, showing the blade in an open position.

FIG. 3 is a rear elevational view thereof.

FIG. 4 is a front elevational view thereof.

FIG. 5 is a bottom plan view thereof.

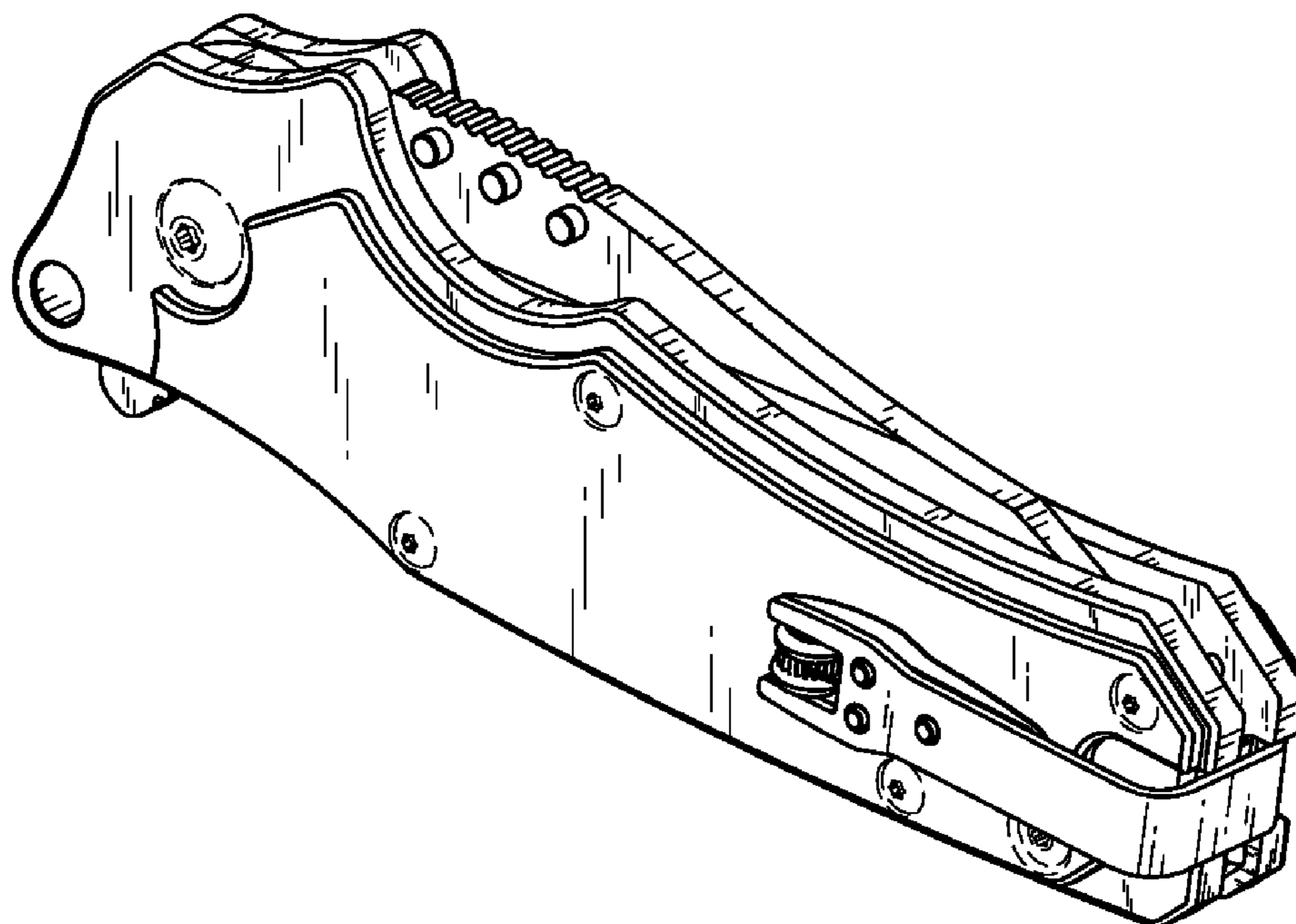
FIG. 6 is a left side elevational view thereof.

FIG. 7 is a top plan view thereof; and,

FIG. 8 is a right side elevational view thereof.

Stippling and shading lines shown in the drawings are intended to represent the approximate three-dimensional contour of the design, and are not intended to indicate surface decoration.

1 Claim, 4 Drawing Sheets



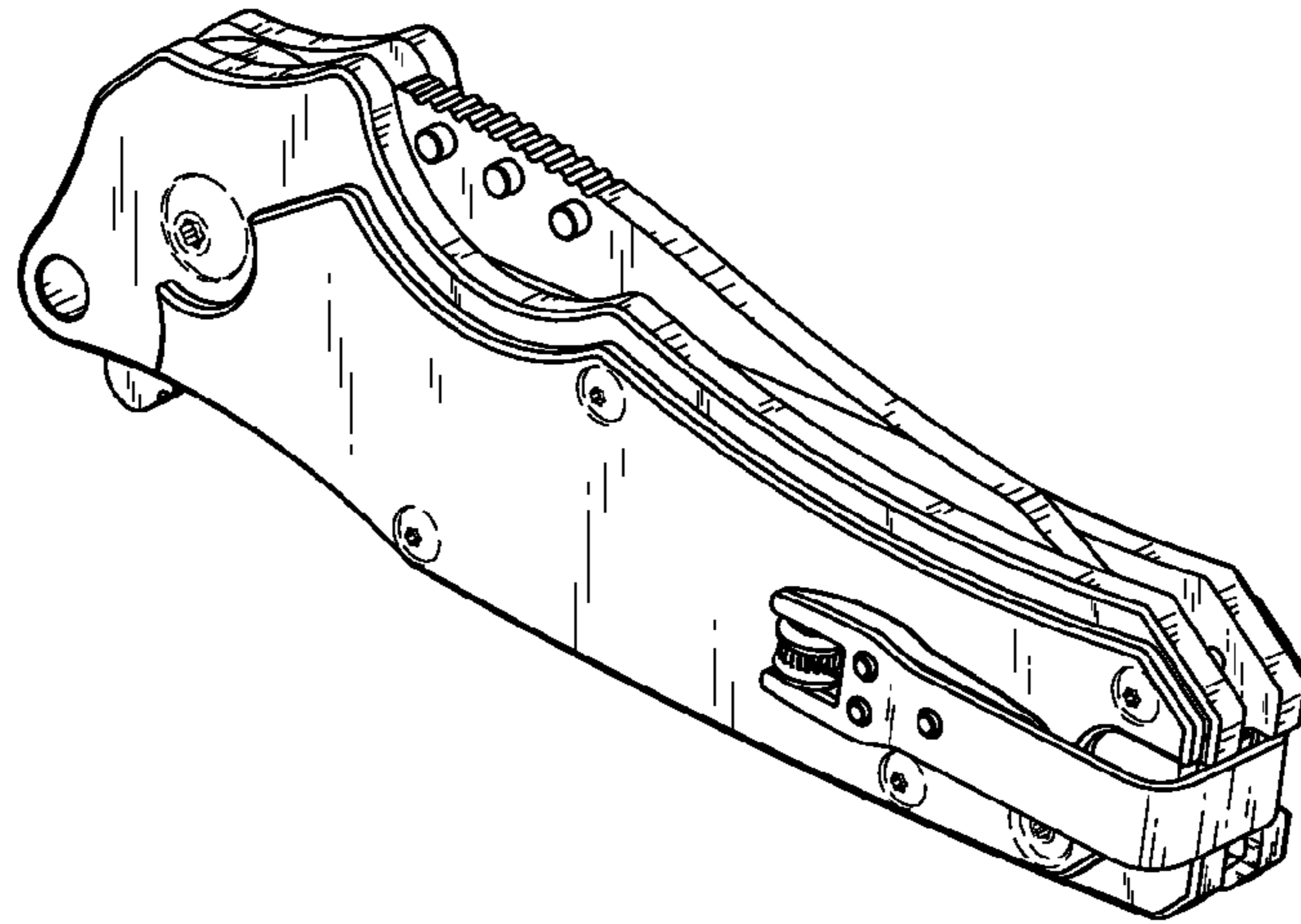


FIG. 1

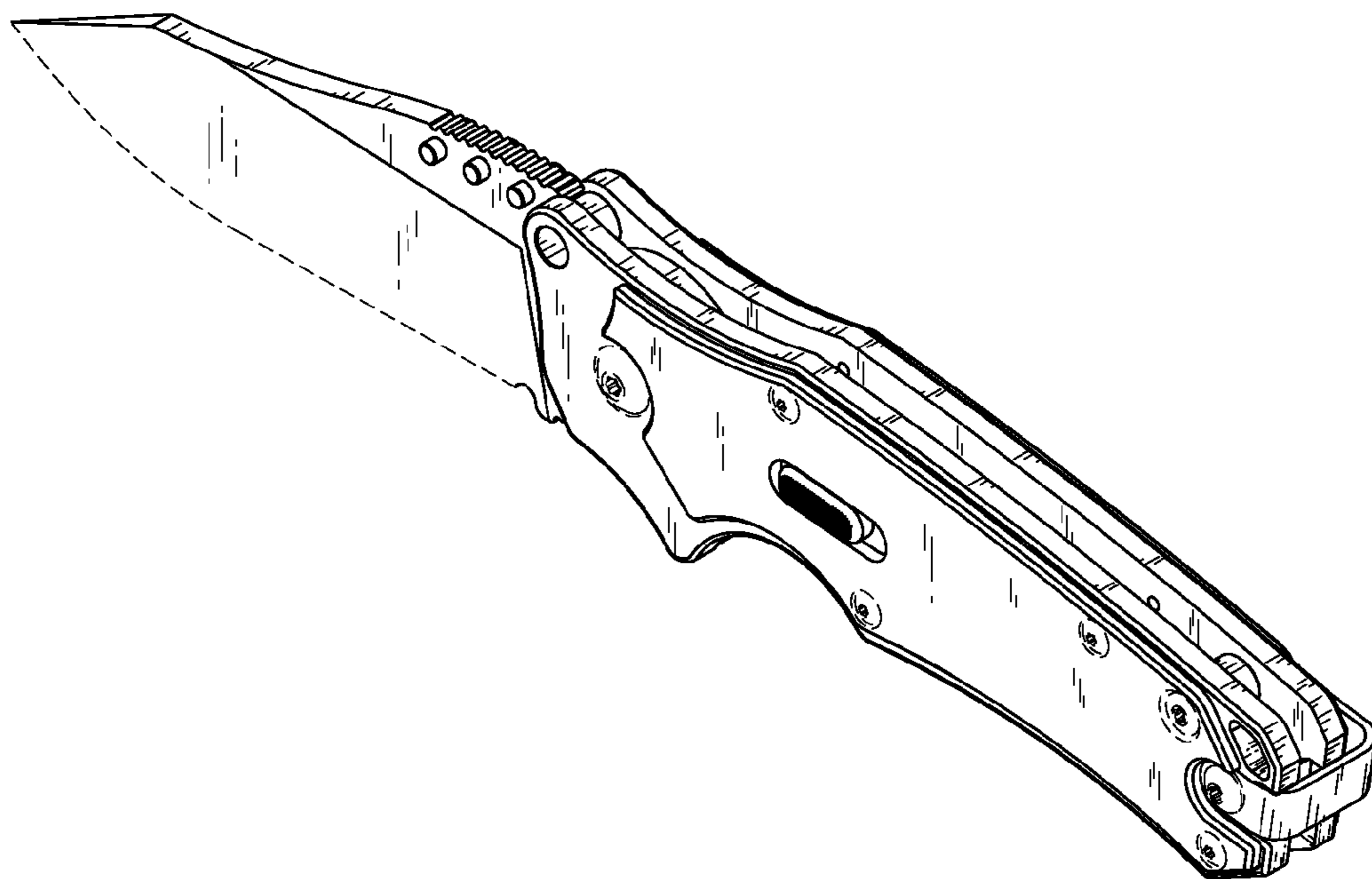


FIG. 2

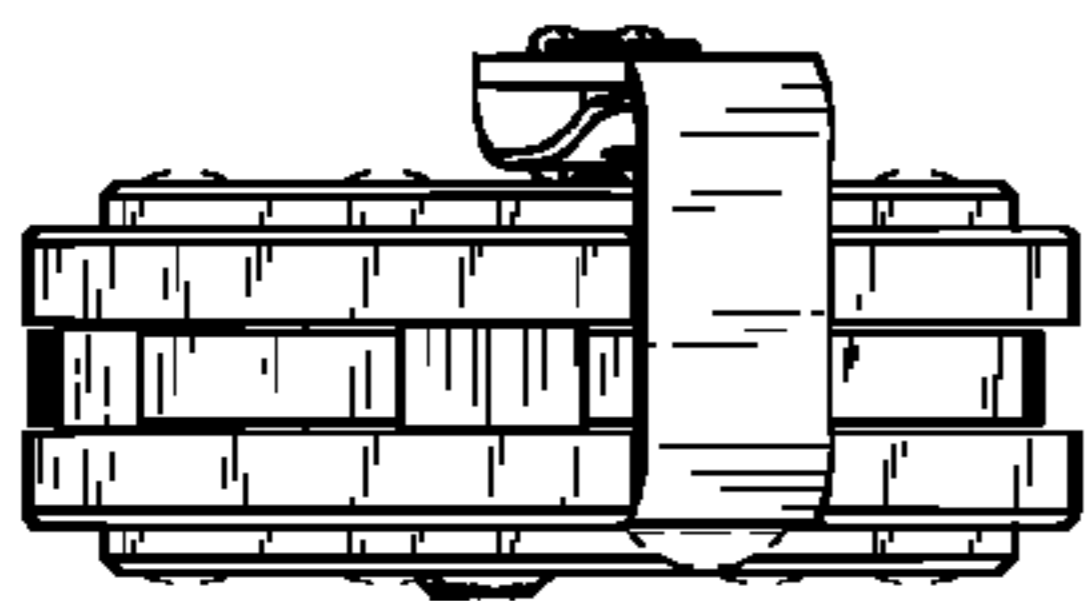


FIG. 3

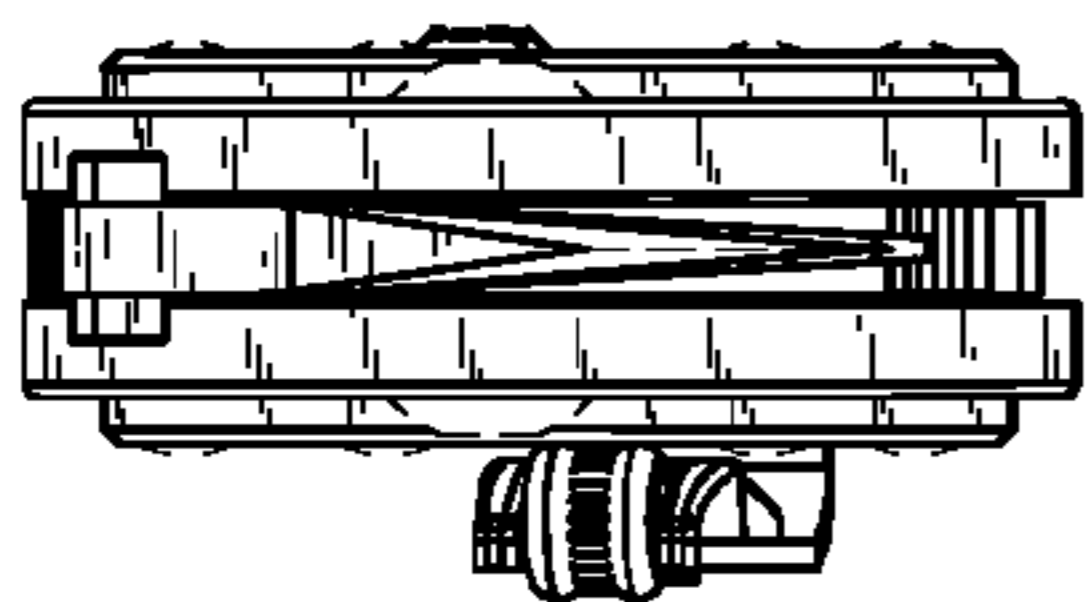


FIG. 4

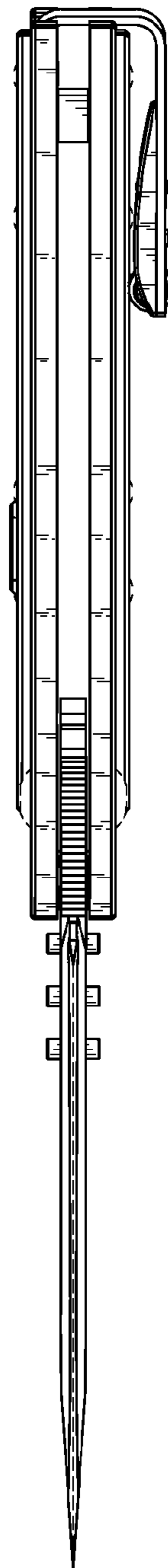


FIG. 5

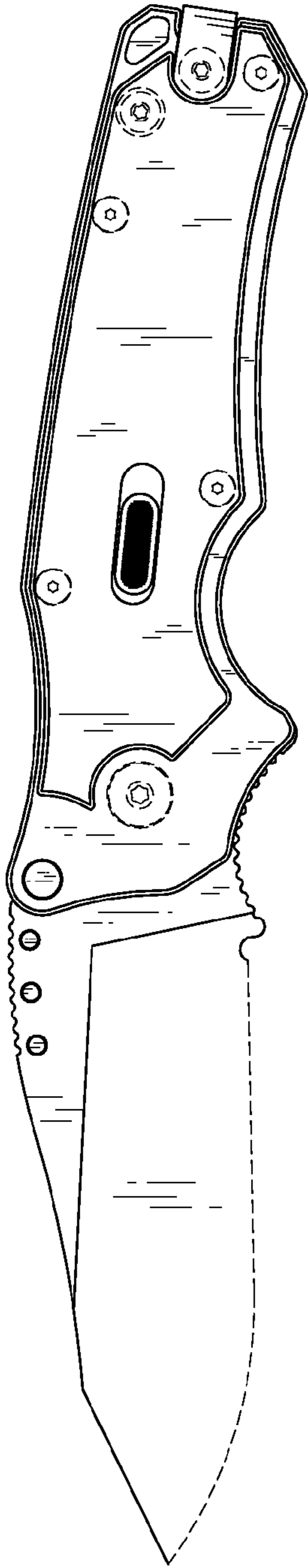


FIG. 6

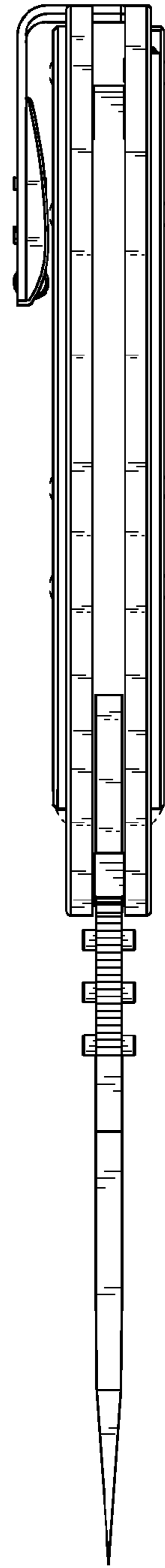


FIG. 7

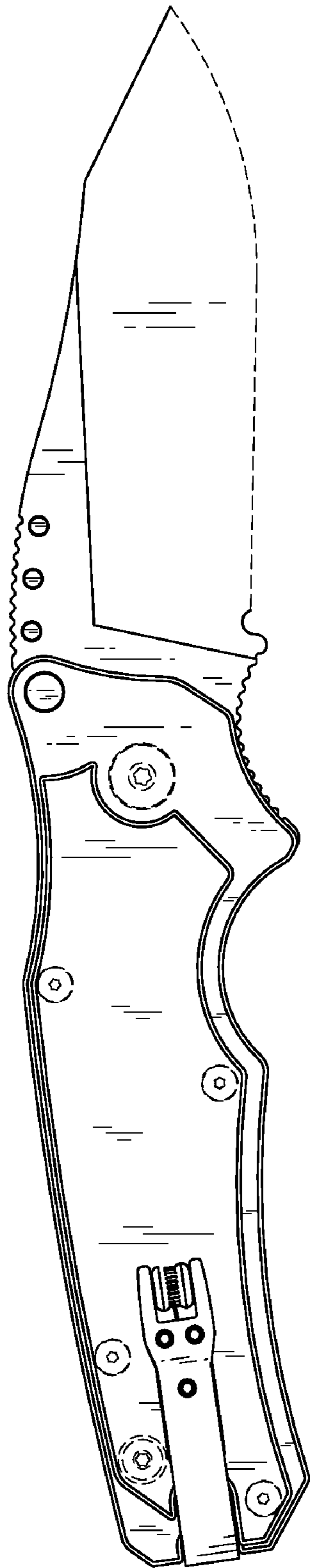


FIG. 8