



US00D572561S

(12) **United States Design Patent**
Demers et al.

(10) **Patent No.:** **US D572,561 S**
(45) **Date of Patent:** **** Jul. 8, 2008**

(54) **TOOL HANDLE**

DESCRIPTION

(75) Inventors: **Brian Joseph Demers**, Huntersville, NC (US); **Joseph Allen Berlepsch**, Mooresville, NC (US)

(73) Assignee: **Lowe's Companies, Inc.**, Mooresville, NC (US)

(**) Term: **14 Years**

(21) Appl. No.: **29/249,391**

(22) Filed: **Oct. 4, 2006**

(51) **LOC (8) Cl.** **08-05**

(52) **U.S. Cl.** **D8/97**

(58) **Field of Classification Search** D7/395;
D32/49; D8/20, 21, 51, 52, 58, 68, 75, 80,
D8/82, 83, 90, 94, 95, 97, 107, 300, 303;
81/177.1, 489, 52; 16/422; D4/138
See application file for complete search history.

(56) **References Cited**

U.S. PATENT DOCUMENTS

D525,850 S * 8/2006 Huang D8/83
D526,875 S * 8/2006 Chen D8/83
D551,530 S * 9/2007 Hirsch D8/83

* cited by examiner

Primary Examiner—Cathron Brooks

Assistant Examiner—Barbara Fox

(74) *Attorney, Agent, or Firm*—Moore & VanAllen PLLC; W. Kevin Ransom

(57) **CLAIM**

The ornamental design for a tool handle, as shown and described.

FIG. 1 is a perspective view of a tool handle, according to one embodiment of the present invention;

FIG. 2 is an elevational view of the front side of the tool handle of FIG. 1;

FIG. 3 is an elevational view of the rear side of the tool handle of FIG. 1;

FIG. 4 is a plan view of the bottom side of the tool handle of FIG. 1;

FIG. 5 is an elevational view of the right side of the tool handle of FIG. 1;

FIG. 6 is a plan view of the top side of the tool handle of FIG. 1;

FIG. 7 is an elevational view of the left side of the tool handle of FIG. 1;

FIG. 8 is a perspective view of a second embodiment of the tool handle according to the present invention;

FIG. 9 is a plan view of the top side of the tool handle of FIG. 8;

FIG. 10 is an elevational view of the right side of the tool handle of FIG. 8;

FIG. 11 is a plan view of the bottom side of the tool handle of FIG. 8;

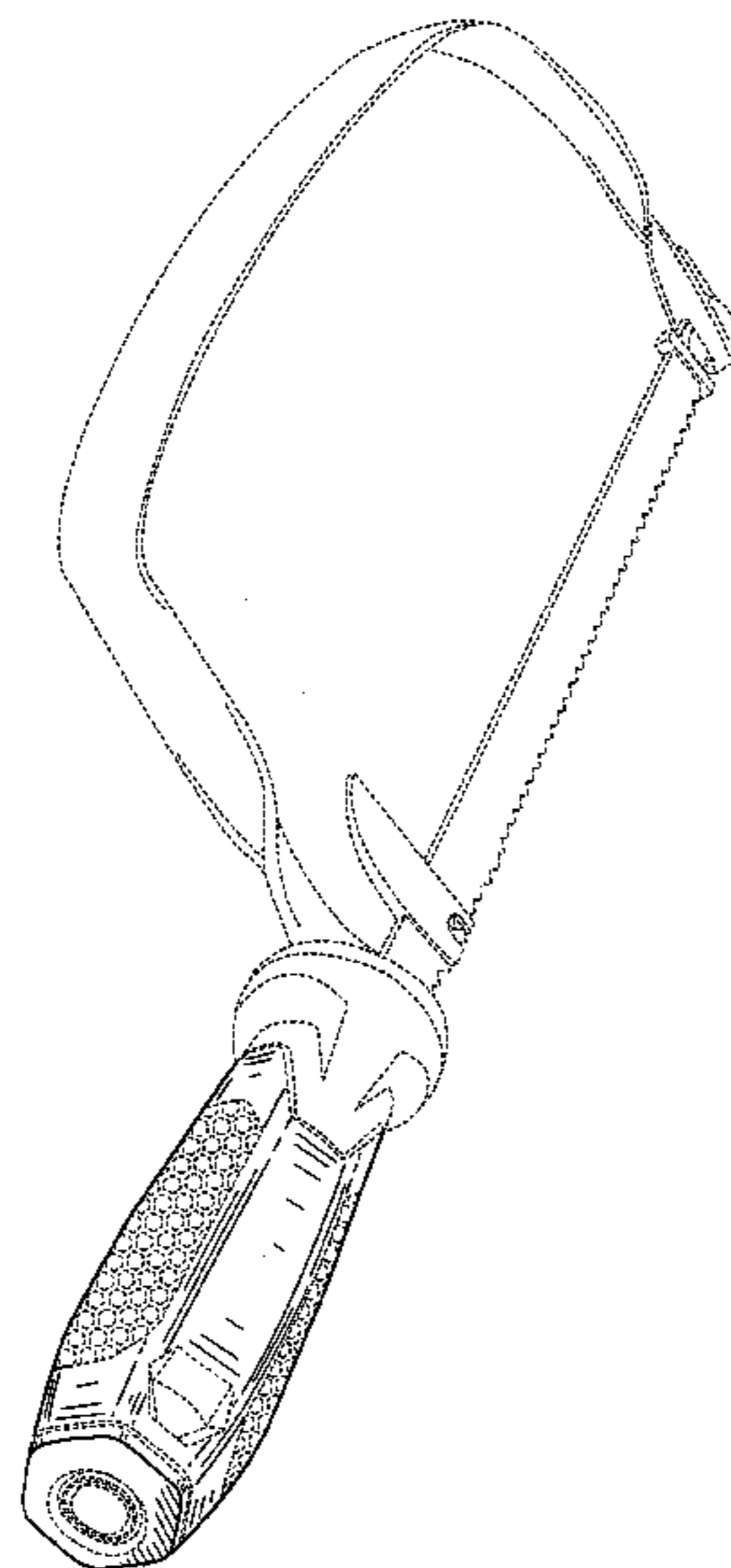
FIG. 12 is an elevational view of the left side of the tool handle of FIG. 8;

FIG. 13 is an elevational view of the rear side of the tool handle of FIG. 8; and,

FIG. 14 is an elevational view of the front side of the tool handle of FIG. 8.

The broken lines shown herein are for illustrative purposes only and form no part of the claimed design.

1 Claim, 14 Drawing Sheets



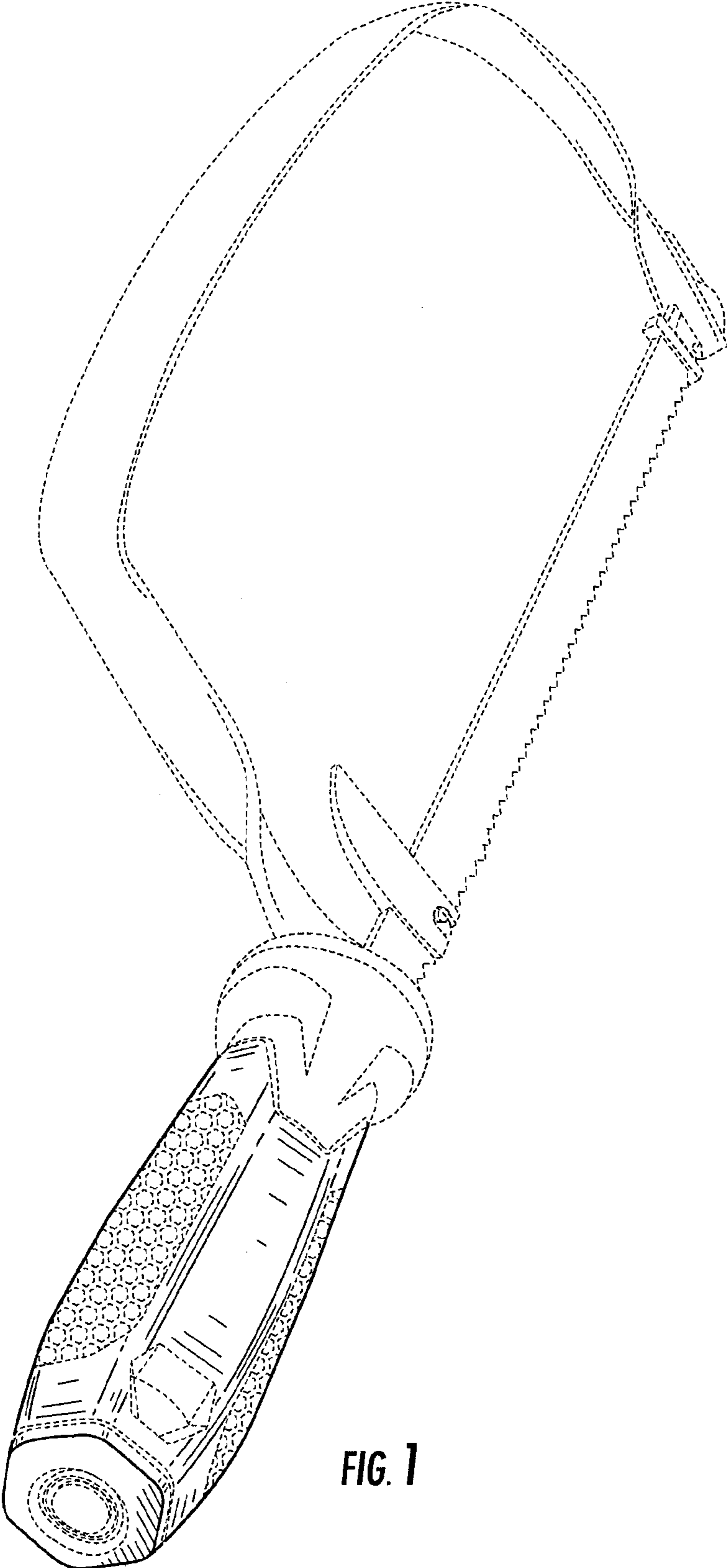


FIG. 1

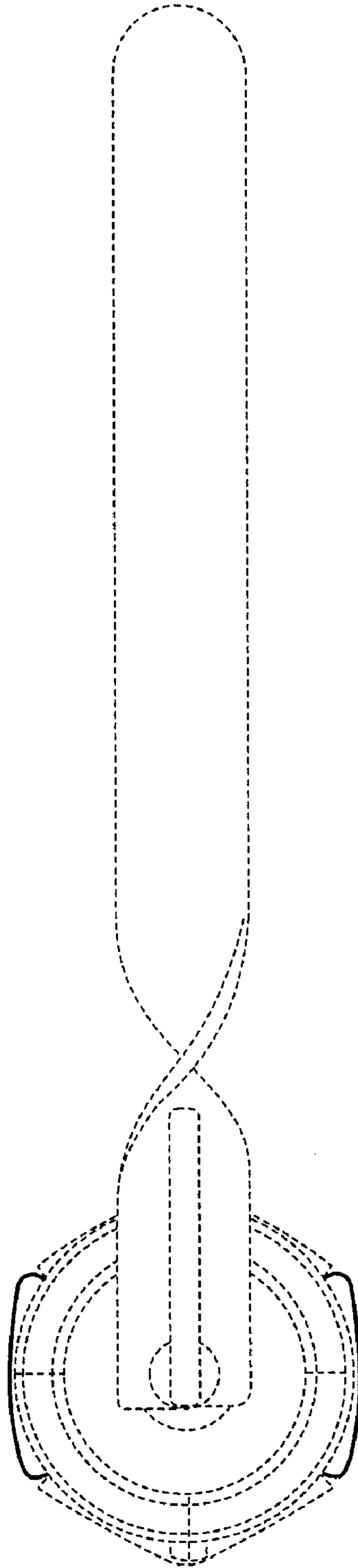


FIG. 2

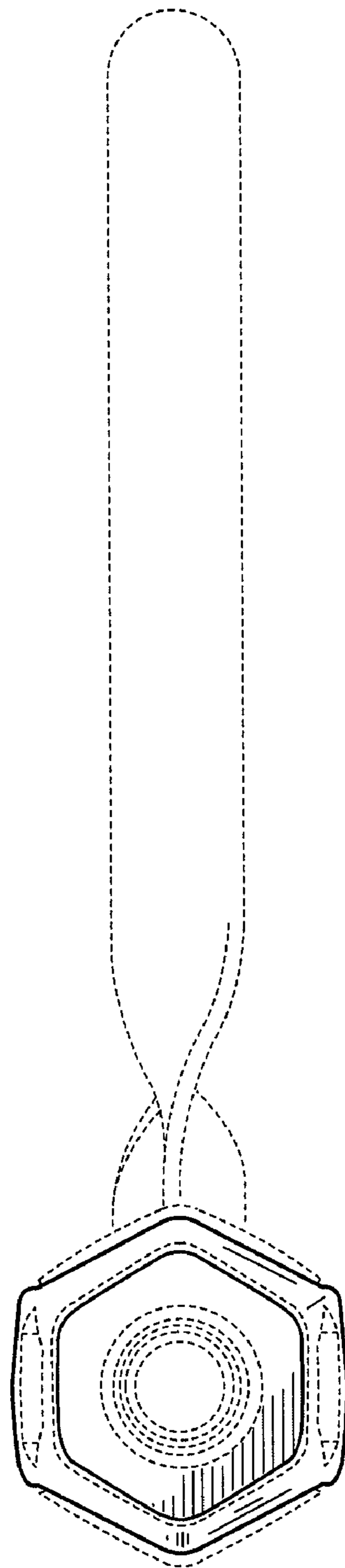


FIG. 3

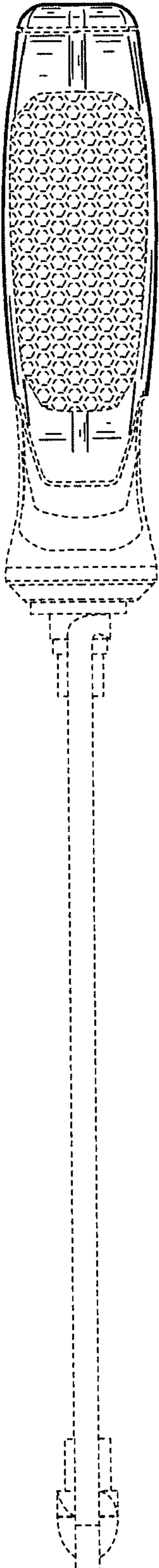


FIG. 4

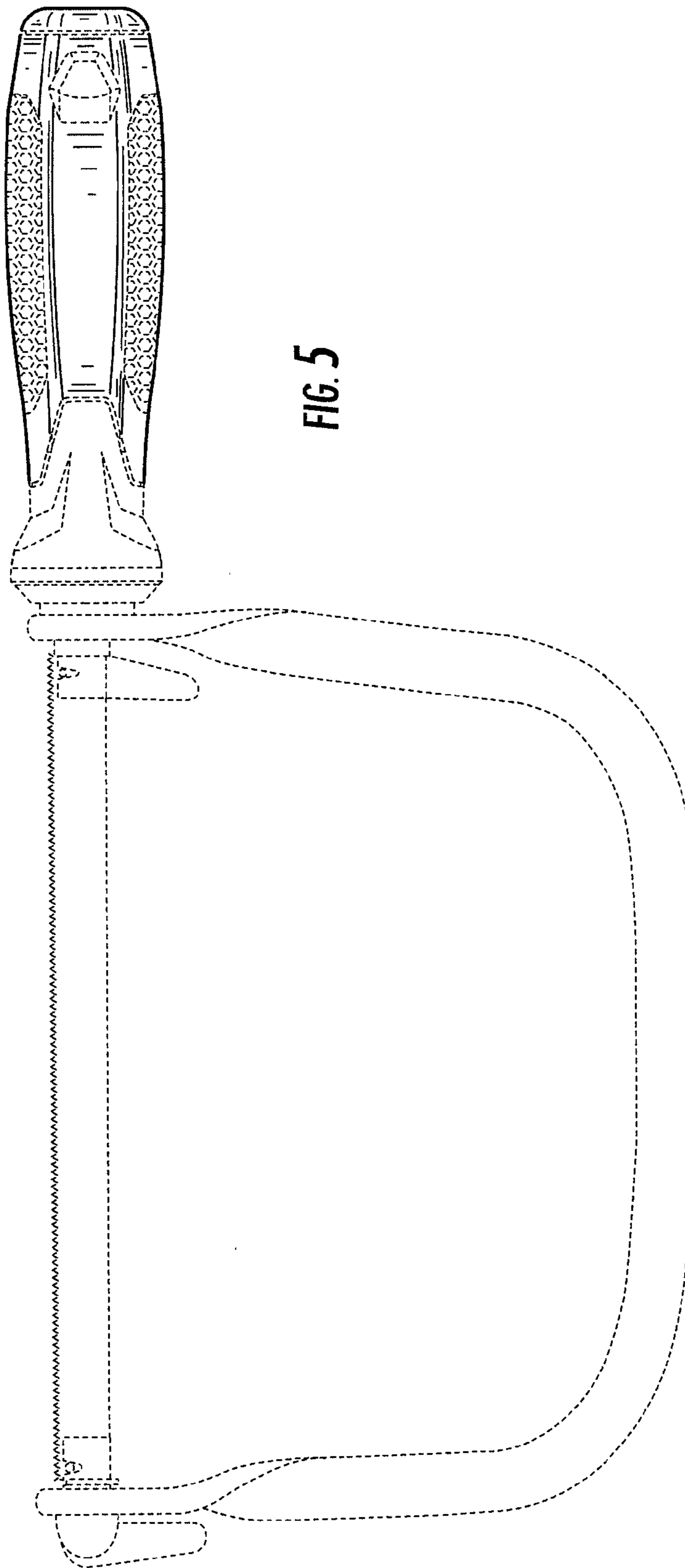


FIG. 5

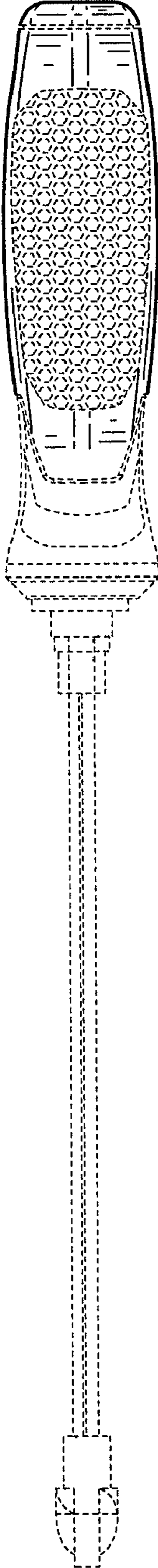


FIG. 6

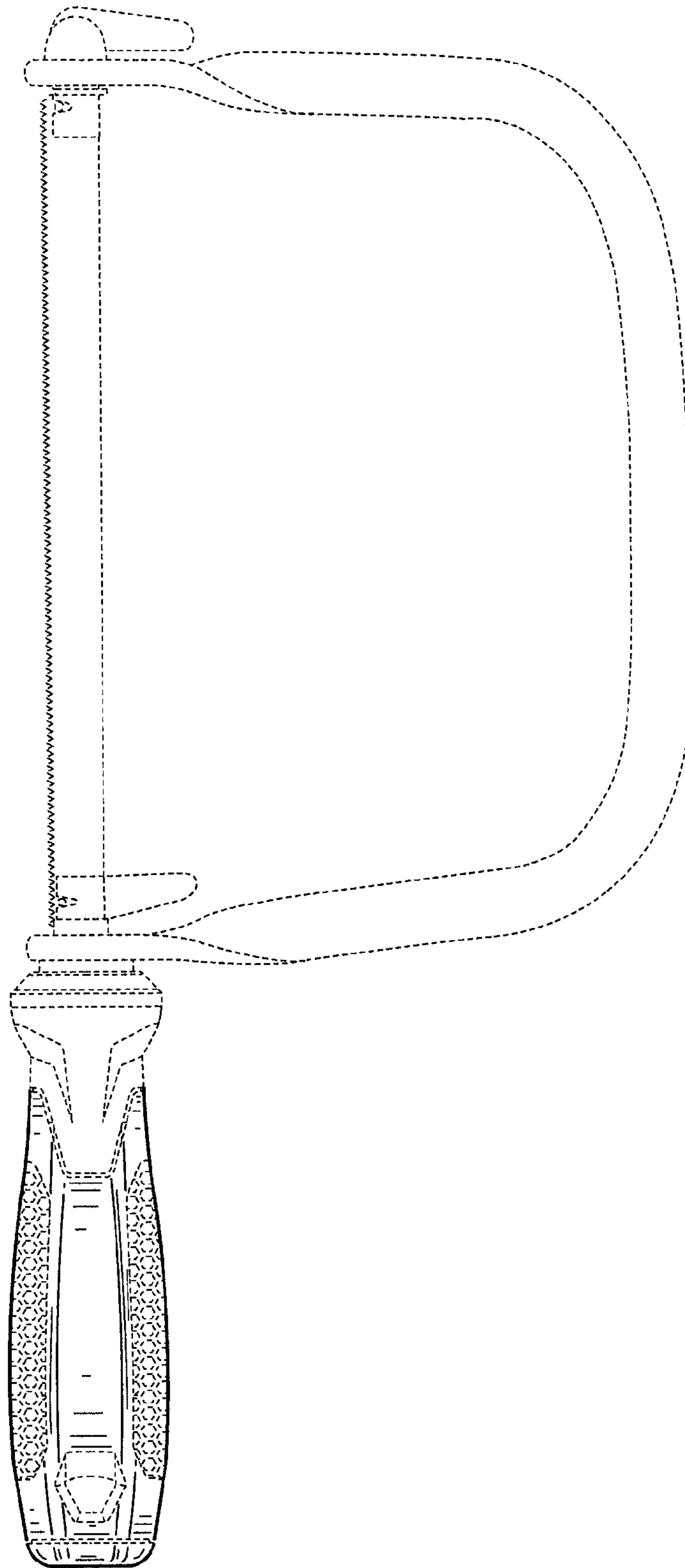


FIG. 7

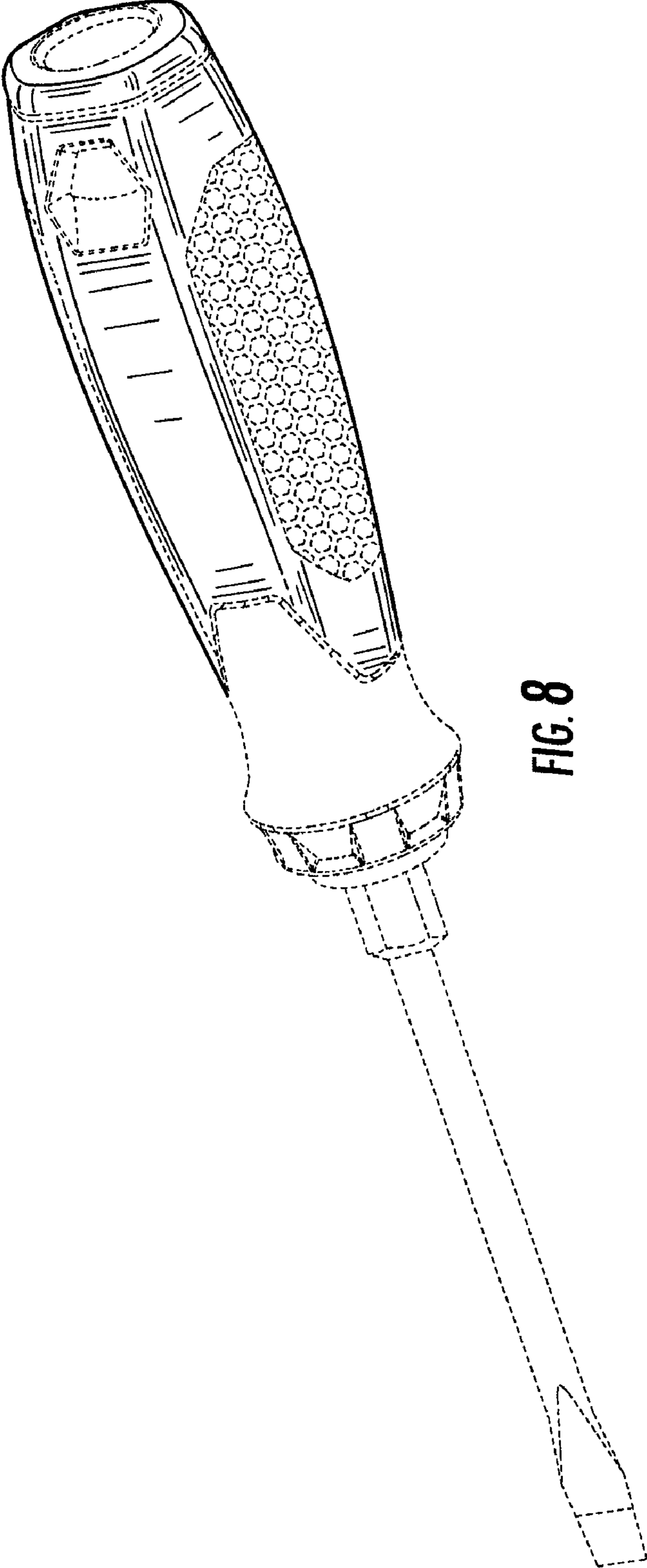


FIG. 8

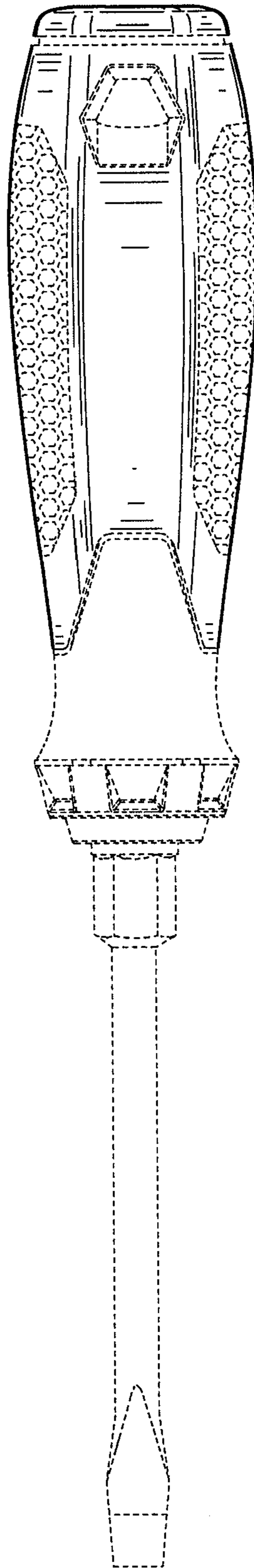


FIG. 9

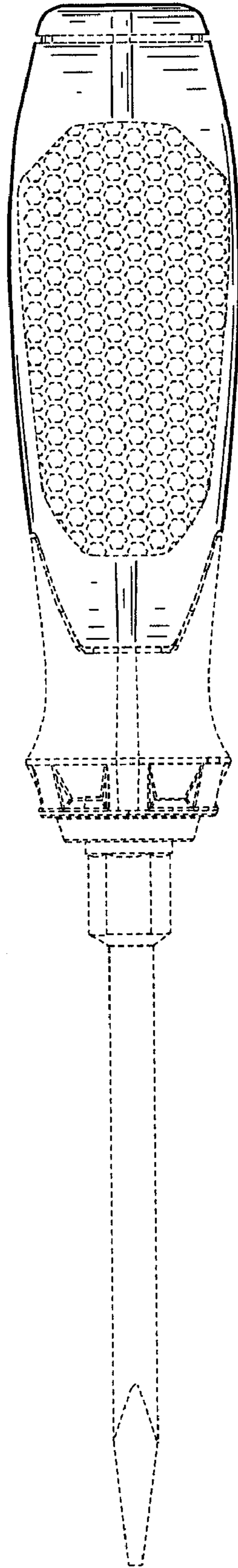


FIG. 10

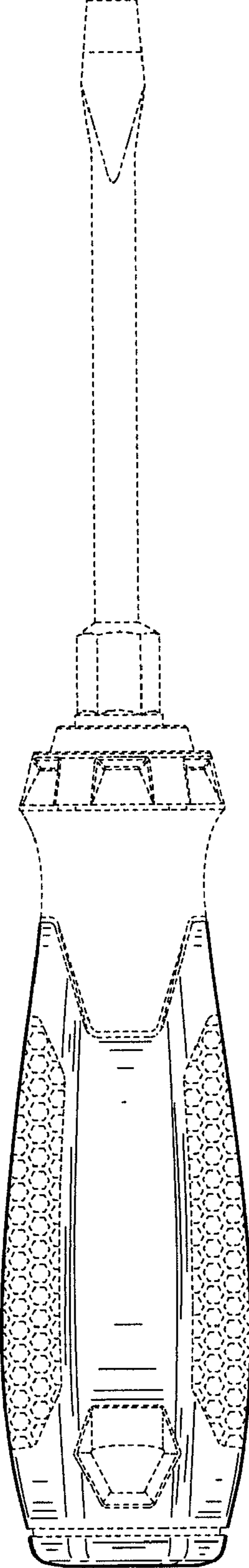


FIG. 11

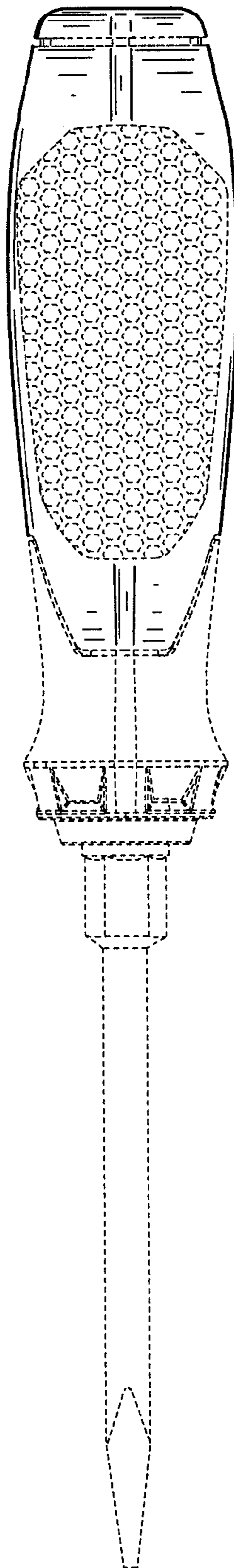


FIG. 12

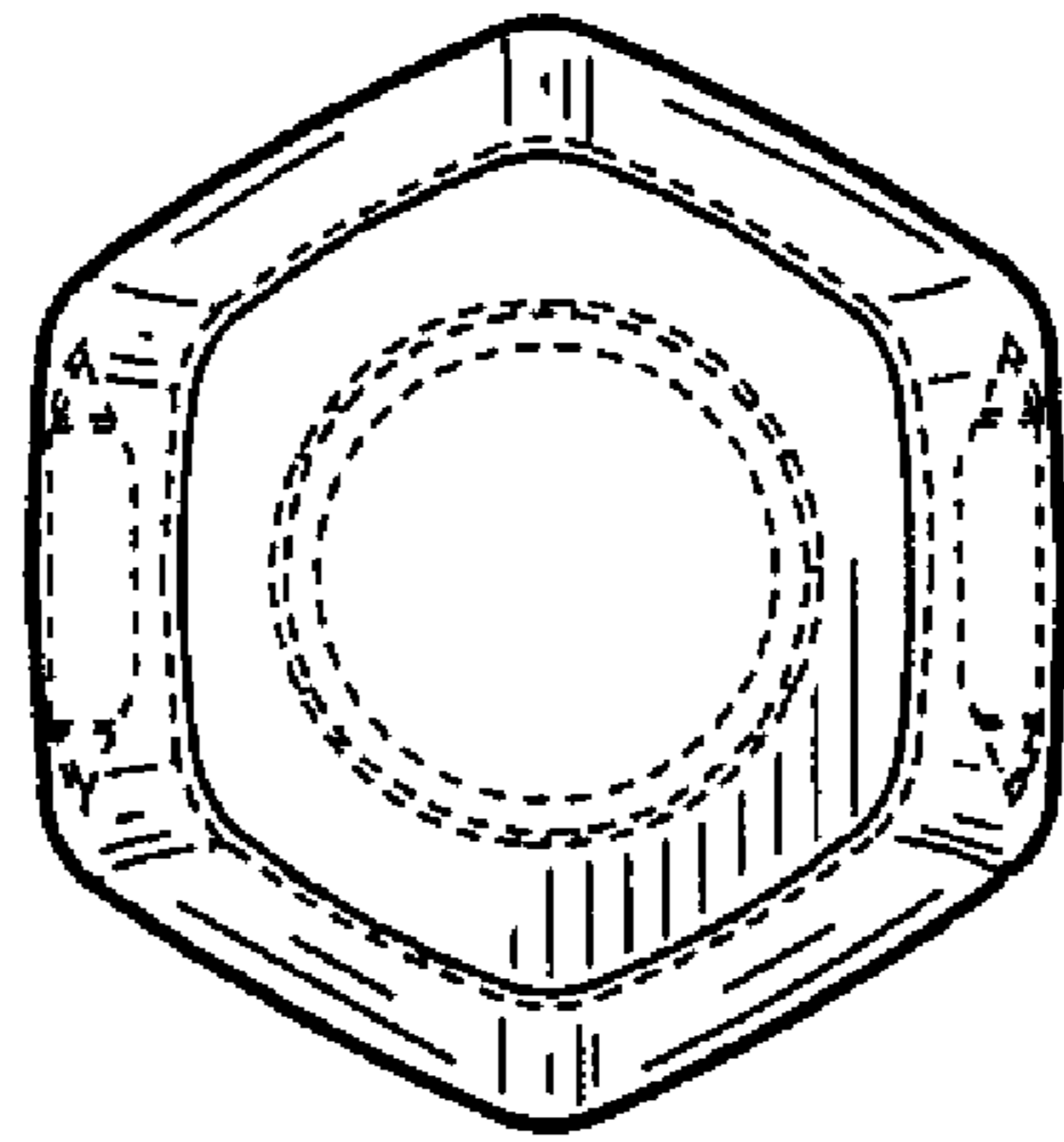


FIG. 13

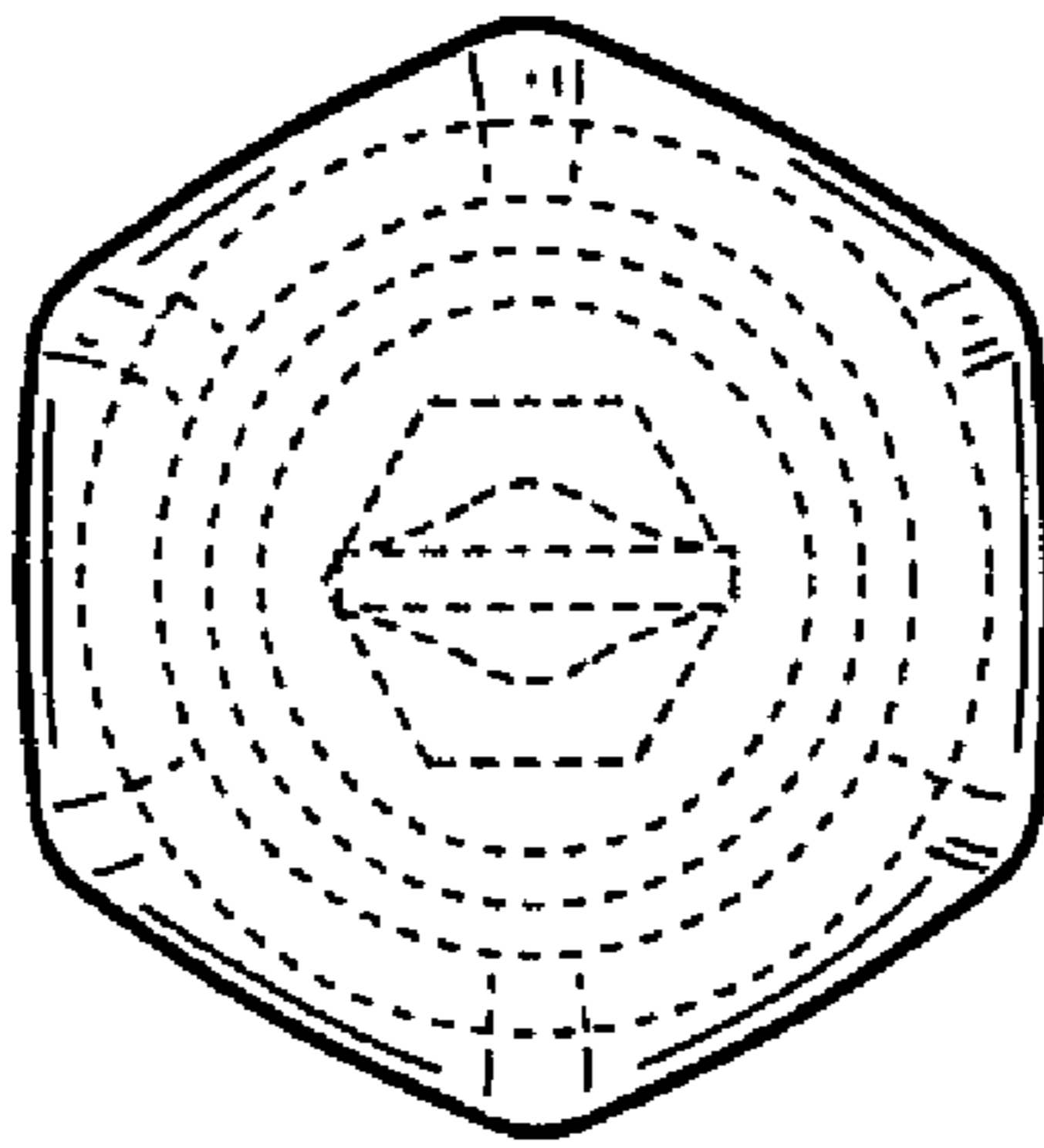


FIG. 14