



US00D572560S

(12) **United States Design Patent**
Demers et al.

(10) **Patent No.:** **US D572,560 S**
(45) **Date of Patent:** **** Jul. 8, 2008**

(54) **TOOL HANDLE**

(75) Inventors: **Brian Joseph Demers**, Huntersville, NC (US); **Joseph Allen Berlepsch**, Mooresville, NC (US)

(73) Assignee: **Lowe's Companies, Inc.**, Mooresville, NC (US)

(**) Term: **14 Years**

(21) Appl. No.: **29/249,390**

(22) Filed: **Oct. 4, 2006**

(51) **LOC (8) Cl.** **08-05**

(52) **U.S. Cl.** **D8/97**

(58) **Field of Classification Search** D7/395;
D32/49; D8/20, 21, 51, 52, 58, 68, 75, 80,
D8/82, 83, 90, 94, 95, 97, 107, 300, 303;
81/177.1, 489, 52; 16/422; D4/138
See application file for complete search history.

(56) **References Cited**

U.S. PATENT DOCUMENTS

D412,273	S	*	7/1999	Chung	D8/62
D446,942	S	*	8/2001	Kim	D4/138
D457,003	S	*	5/2002	Newman et al.	D4/122
7,051,626	B1	*	5/2006	Chen et al.	81/438
D523,234	S	*	6/2006	DeBoer et al.	D8/87
D543,085	S	*	5/2007	Aglassinger	D8/107
D547,624	S	*	7/2007	Strahorn	D8/21
D562,398	S	*	2/2008	Qiu et al.	D19/51
2006/0090265	A1	*	5/2006	Fisher et al.	7/165

* cited by examiner

Primary Examiner—Cathron Brooks

Assistant Examiner—Barbara Fox

(74) *Attorney, Agent, or Firm*—Moore & Van Allen PLLC; W. Kevin Ransom

(57) **CLAIM**

The ornamental design for a tool handle, as shown and described.

DESCRIPTION

FIG. 1 is a perspective view of a tool handle showing our new design;

FIG. 2 is a bottom side plan view thereof;

FIG. 3 is a front side elevational view thereof;

FIG. 4 is a rear side elevational view thereof;

FIG. 5 is a top side plan view thereof;

FIG. 6 is a right side elevational view thereof;

FIG. 7 is a left side elevational view thereof;

FIG. 8 is a perspective view of a second embodiment of the tool handle showing our new design;

FIG. 9 is a top side plan view thereof;

FIG. 10 is a right side elevational view thereof;

FIG. 11 is a bottom side plan view thereof;

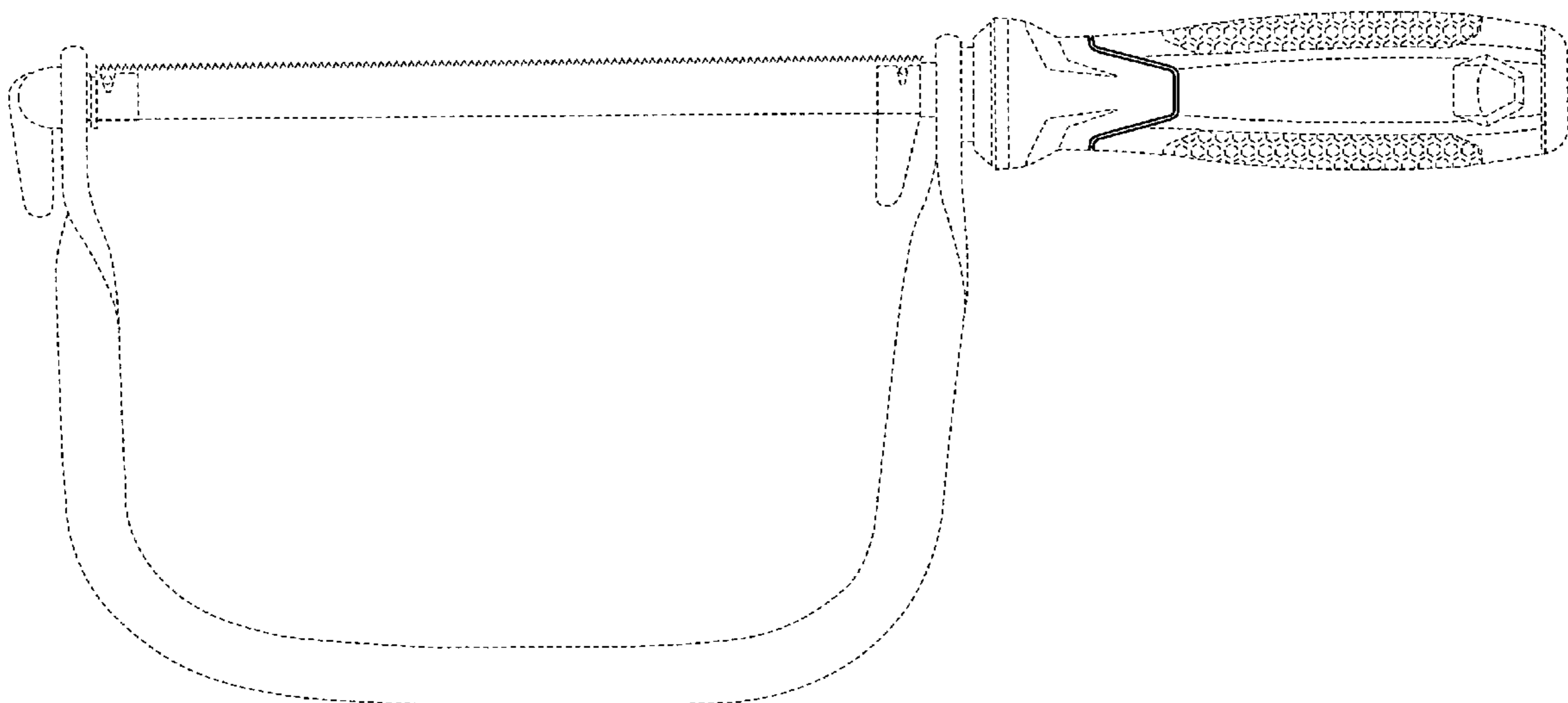
FIG. 12 is a left side elevational view thereof;

FIG. 13 is a rear side elevational view thereof; and,

FIG. 14 is a front side elevational view thereof.

The broken lines shown herein are for illustrative purposes only and form no part of the claimed design.

1 Claim, 14 Drawing Sheets



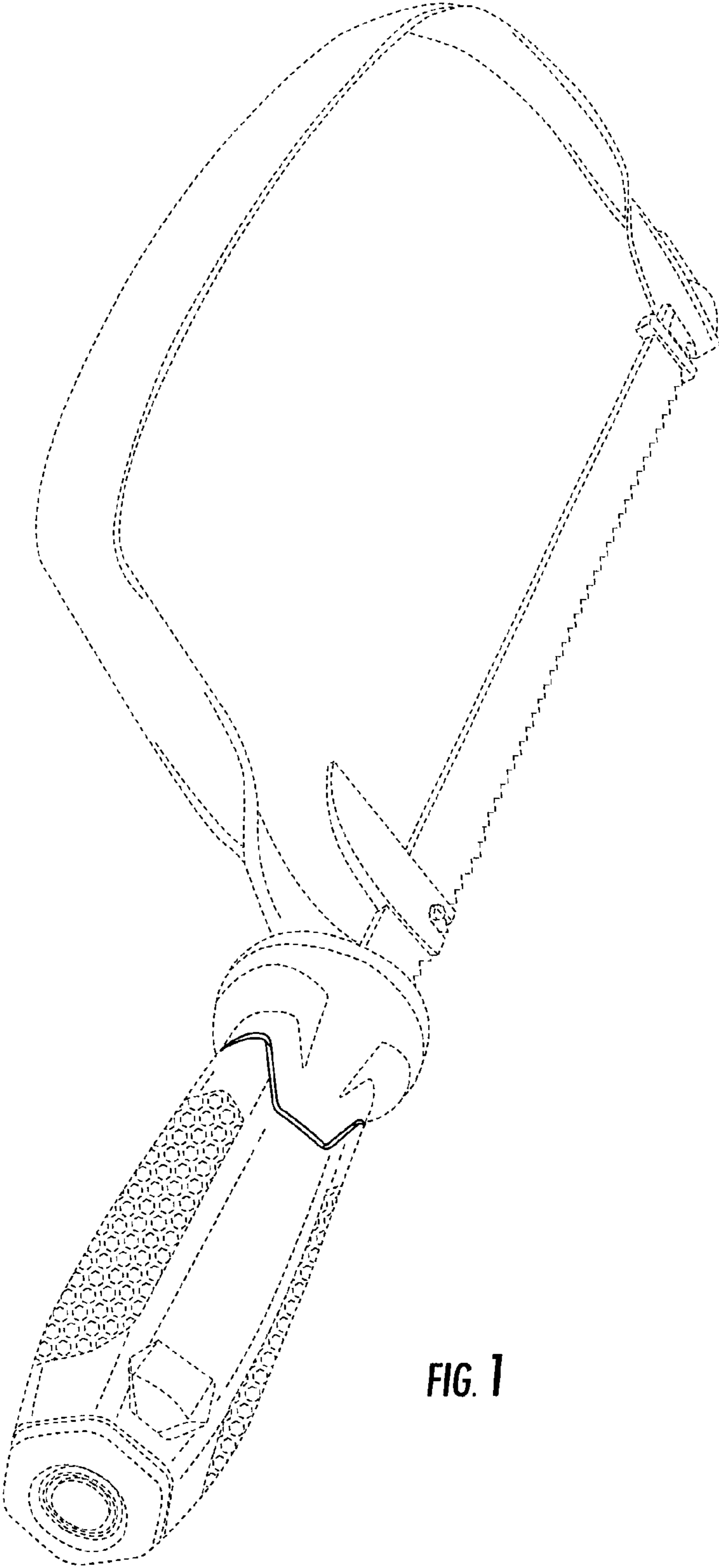


FIG. 1

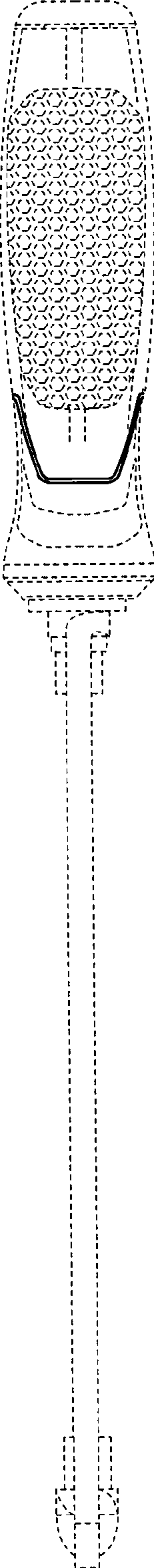


FIG. 2

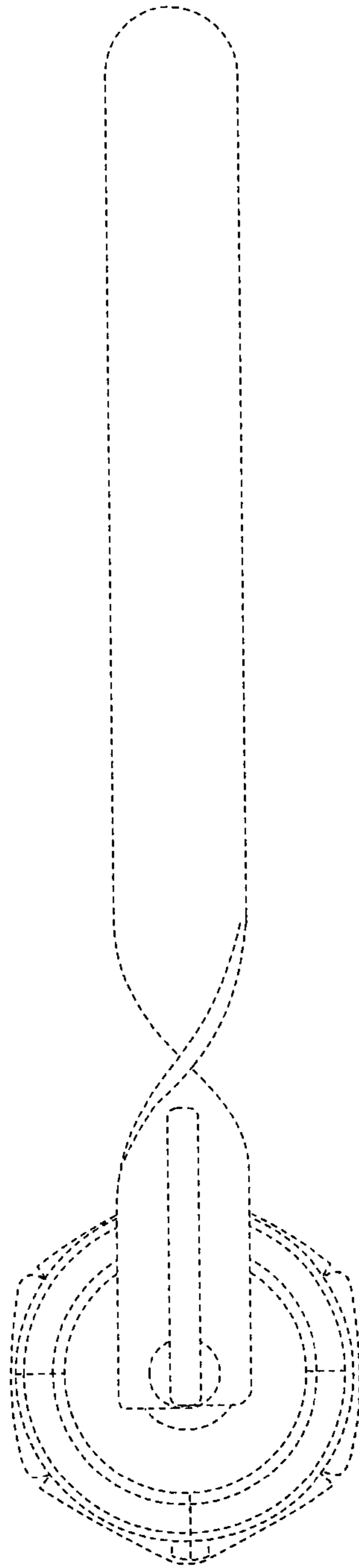


FIG. 3

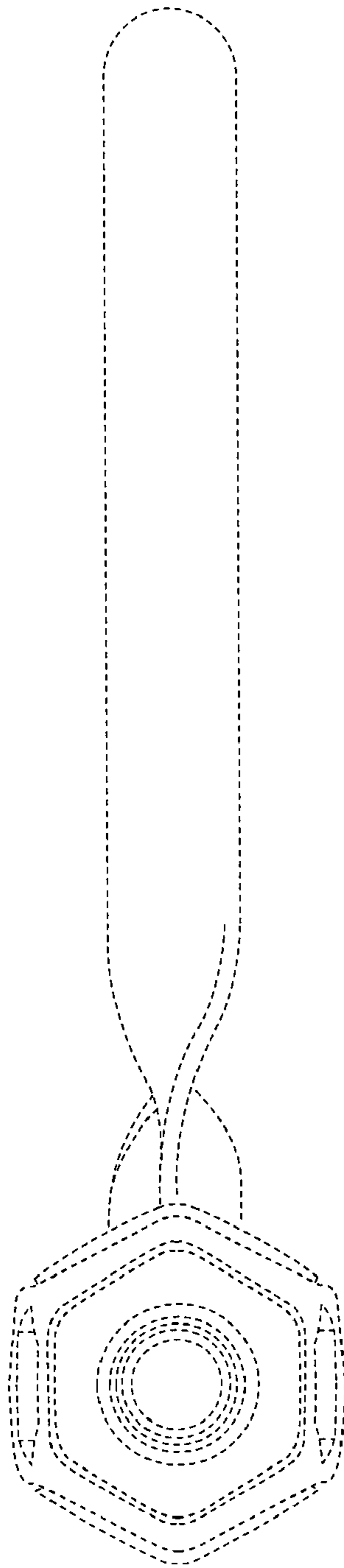


FIG. 4

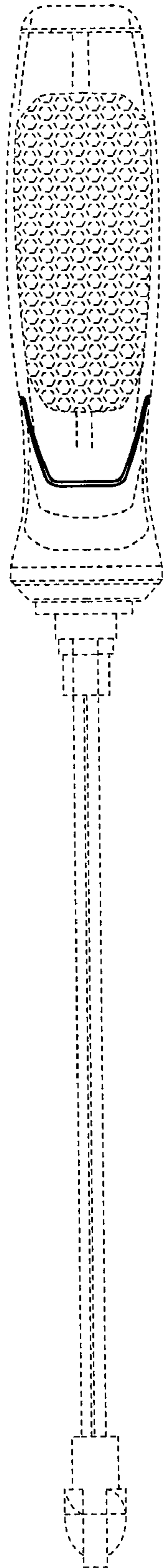


FIG. 5

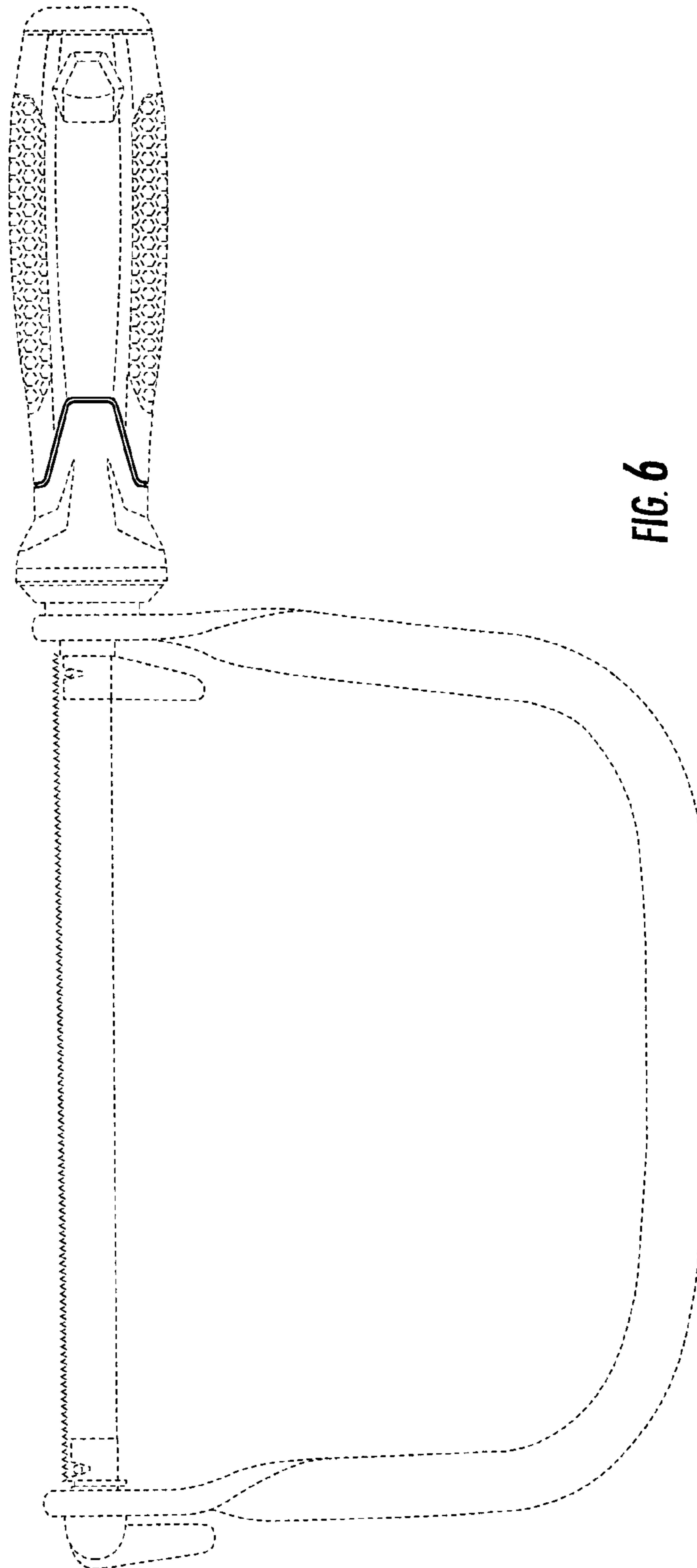


FIG. 6

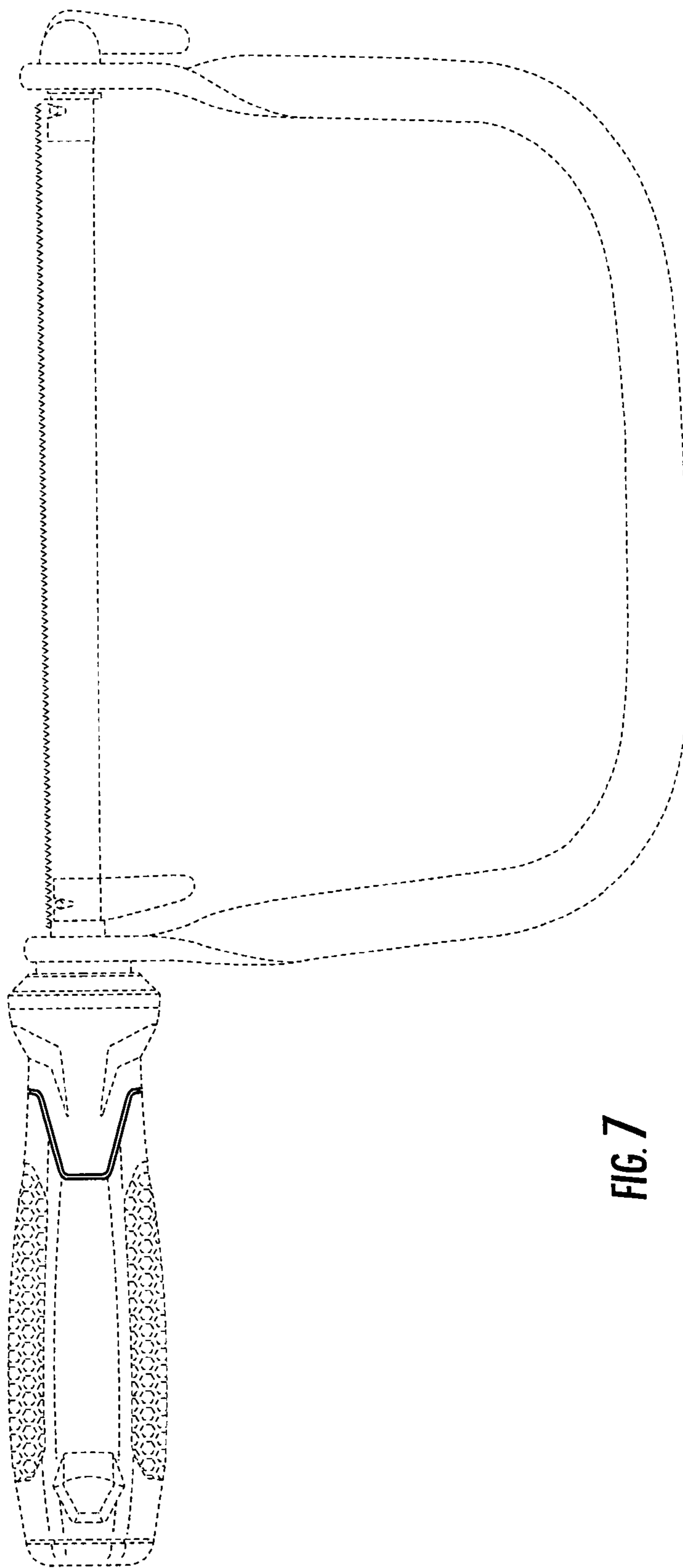


FIG. 7

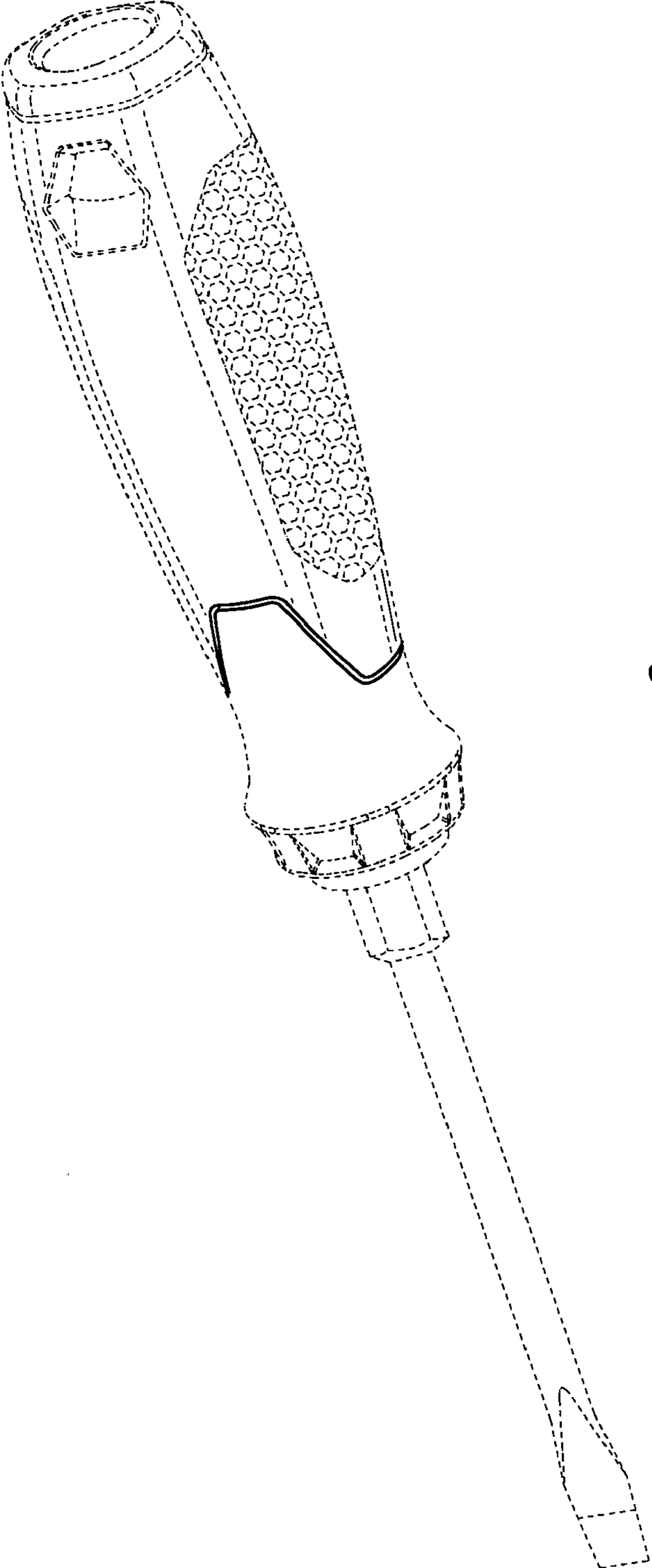


FIG. 8

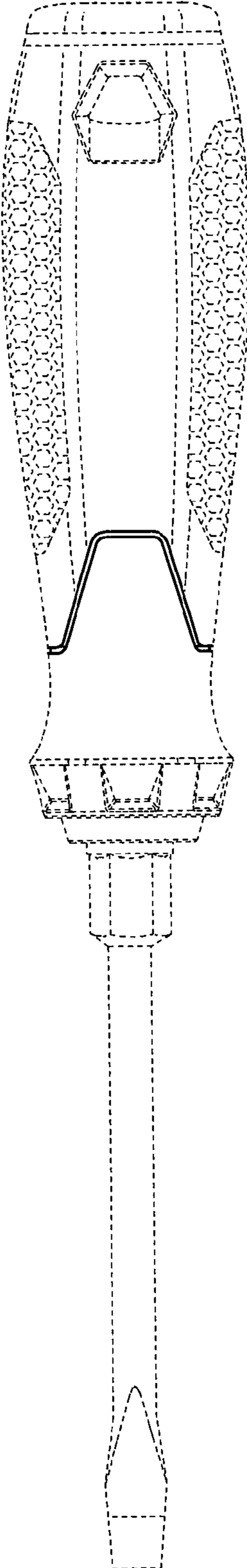


FIG. 9

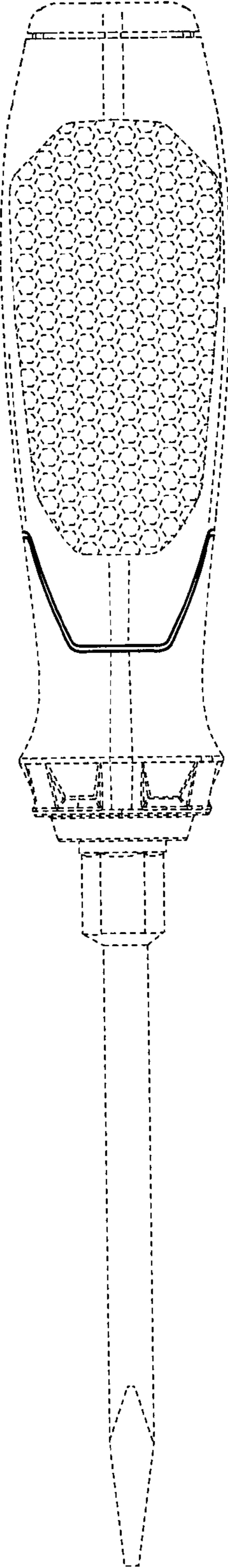


FIG. 10

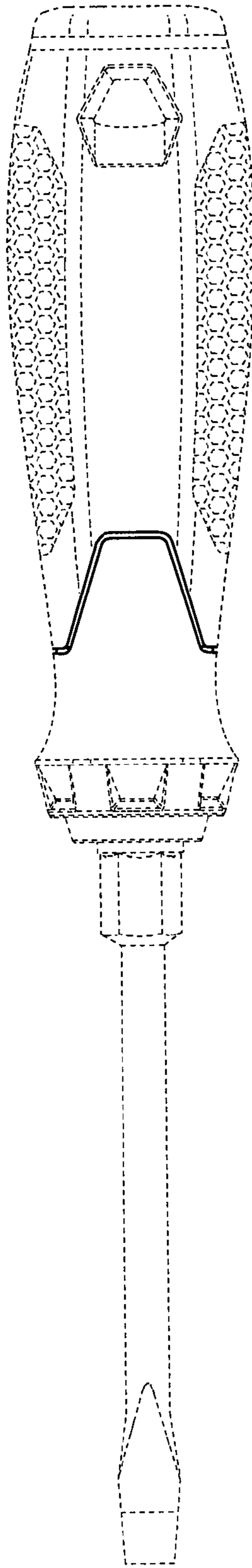


FIG. 11

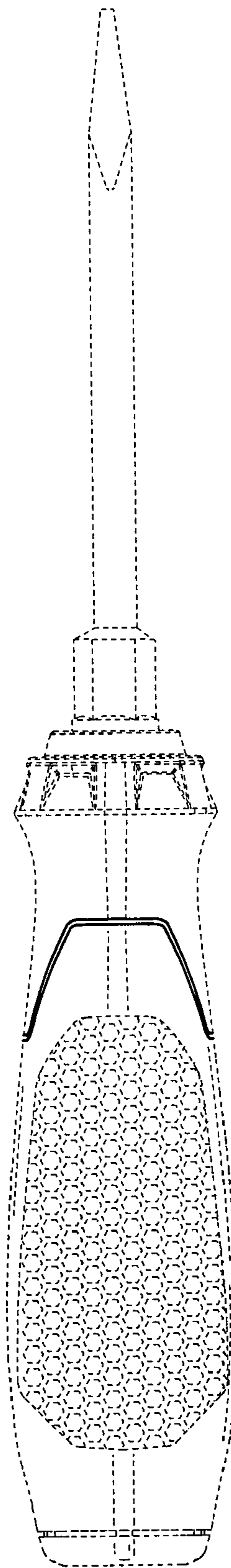


FIG. 12

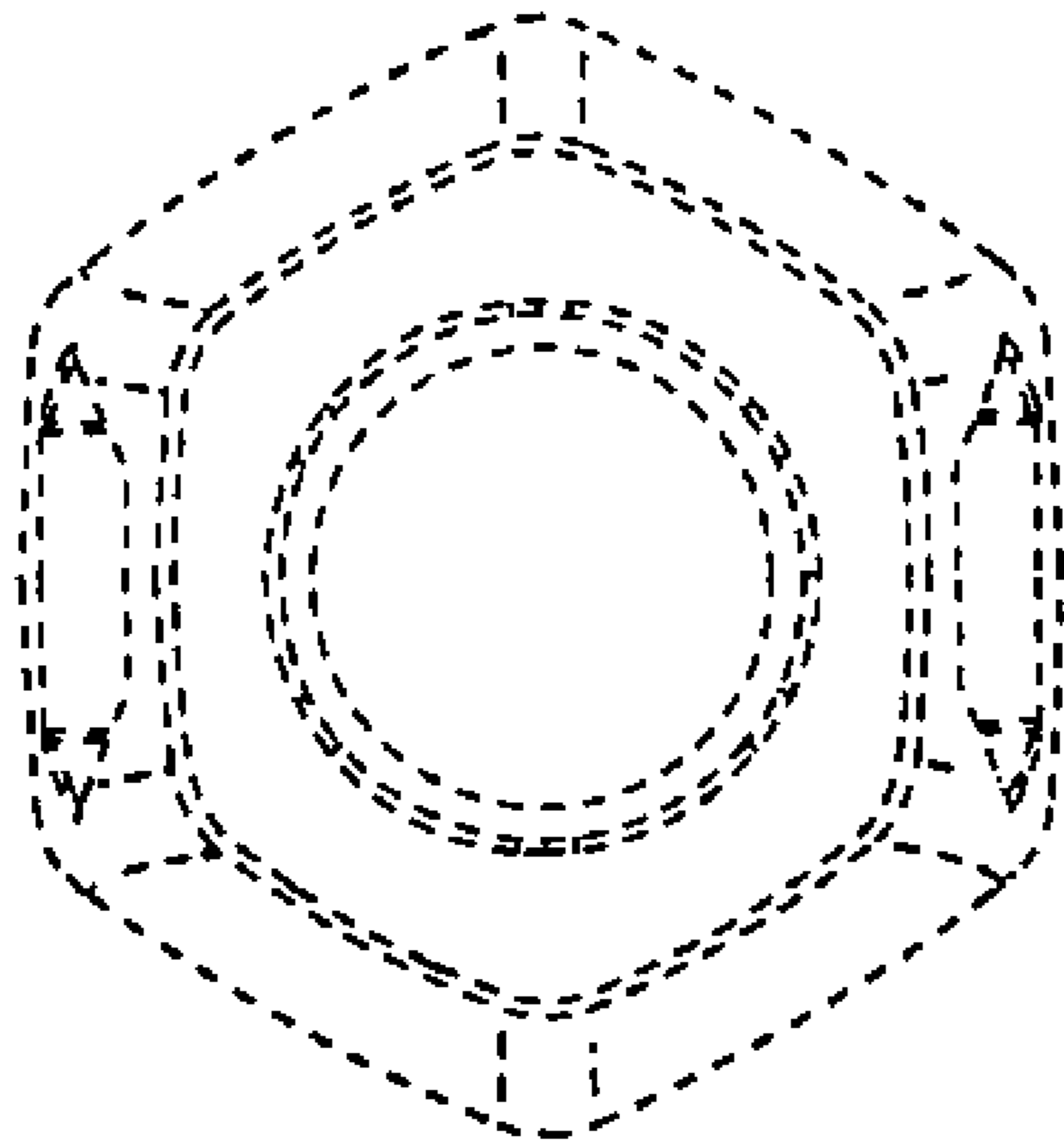


FIG. 13

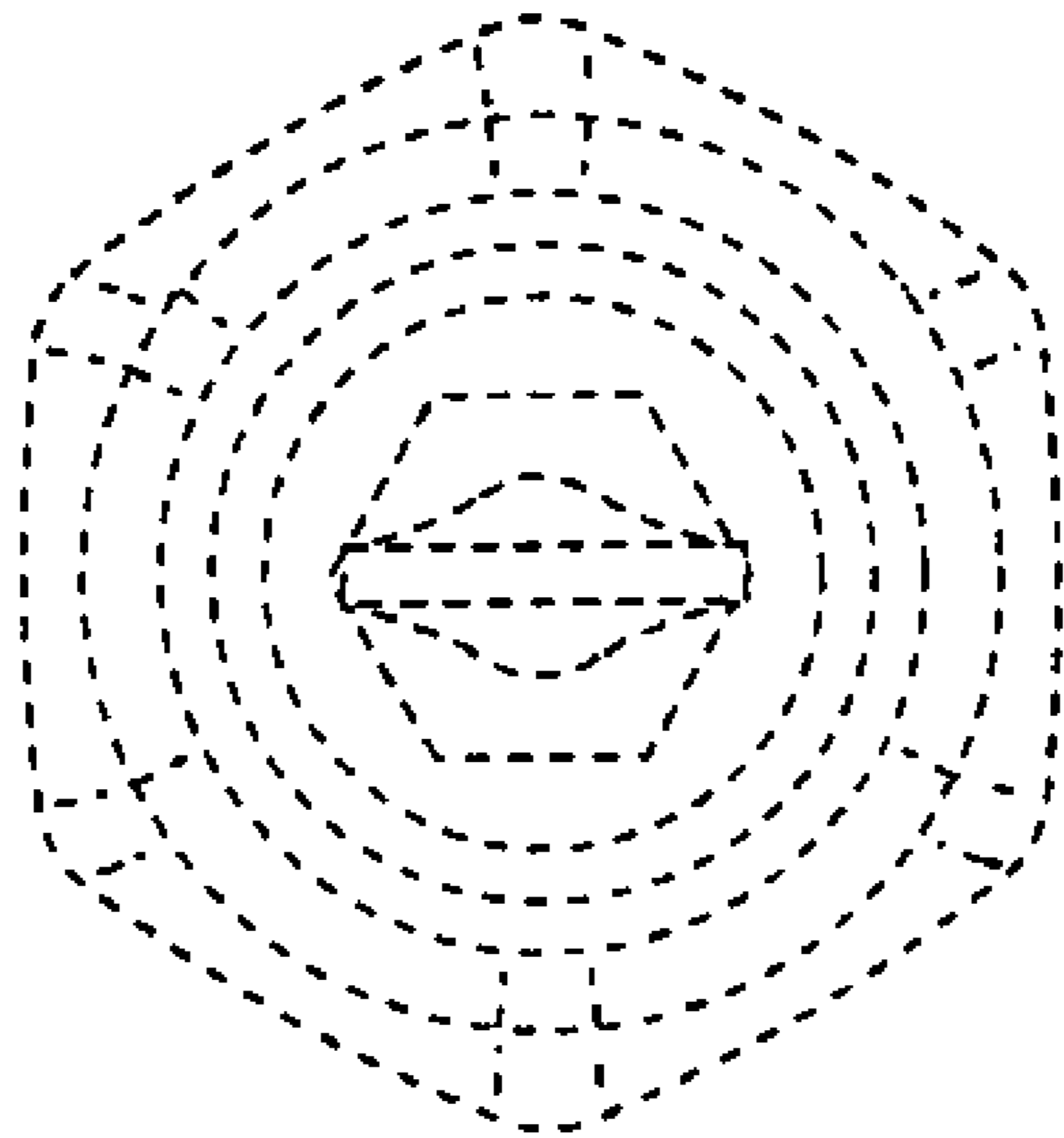


FIG. 14