



US00D572559S

(12) **United States Design Patent**  
**Demers et al.**

(10) **Patent No.:** **US D572,559 S**  
(45) **Date of Patent:** **\*\* Jul. 8, 2008**

(54) **TOOL HANDLE**

(75) Inventors: **Brian Joseph Demers**, Huntersville, NC (US); **Joseph Allen Berlepsch**, Mooresville, NC (US)

(73) Assignee: **Lowe's Companies, Inc.**, Mooresville, NC (US)

(\*\*) Term: **14 Years**

(21) Appl. No.: **29/249,388**

(22) Filed: **Oct. 4, 2006**

(51) **LOC (8) Cl.** ..... **08-05**

(52) **U.S. Cl.** ..... **D8/83**

(58) **Field of Classification Search** ..... D7/395;  
D32/49; D8/20, 21, 51, 52, 58, 68, 75, 80,  
D8/82, 83, 90, 94, 95, 97, 107, 300, 303;  
81/177.1, 489, 52; 16/422; D4/138  
See application file for complete search history.

(56) **References Cited**

**U.S. PATENT DOCUMENTS**

D507,166 S *	7/2005	Chen	.....	D8/68
D513,378 S *	1/2006	Lin	.....	D8/83
D521,337 S *	5/2006	Cheung et al.	.....	D8/68
D527,236 S *	8/2006	Wu	.....	D8/68
D527,971 S *	9/2006	Kokawa	.....	D8/68
D562,097 S *	2/2008	Baxter	.....	D8/68

\* cited by examiner

*Primary Examiner*—Cathron Brooks

*Assistant Examiner*—Barbara Fox

(74) *Attorney, Agent, or Firm*—Moore & Van Allen PLLC; W. Kevin Ransom

(57) **CLAIM**

The ornamental design for a tool handle, as shown and described.

**DESCRIPTION**

FIG. 1 is a perspective view of a tool handle showing our new design;

FIG. 2 is a top side plan view thereof;

FIG. 3 is a right side elevational view thereof;

FIG. 4 is a bottom side plan view thereof;

FIG. 5 is a left side elevational view thereof;

FIG. 6 is a rear side elevational view thereof; and

FIG. 7 is a front side elevational view thereof.

FIG. 8 is a perspective view of a second embodiment of the tool handle showing our new design;

FIG. 9 is a right side elevational view thereof;

FIG. 10 is a front side elevational view thereof;

FIG. 11 is a rear side elevational view thereof;

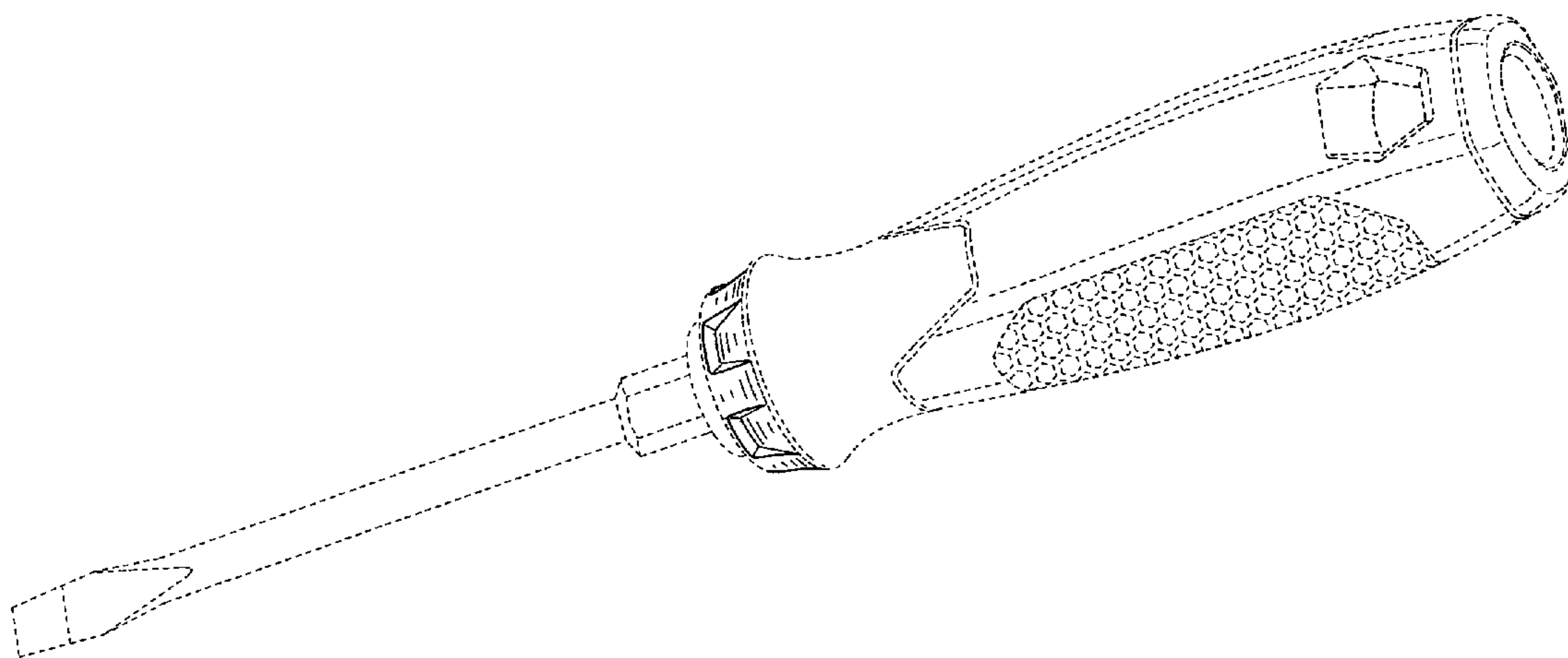
FIG. 12 is a left side elevational view thereof;

FIG. 13 is a top side plan view thereof; and,

FIG. 14 is a bottom side plan view thereof.

The broken lines shown herein are for illustrative purposes only and form no part of the claimed design.

**1 Claim, 14 Drawing Sheets**



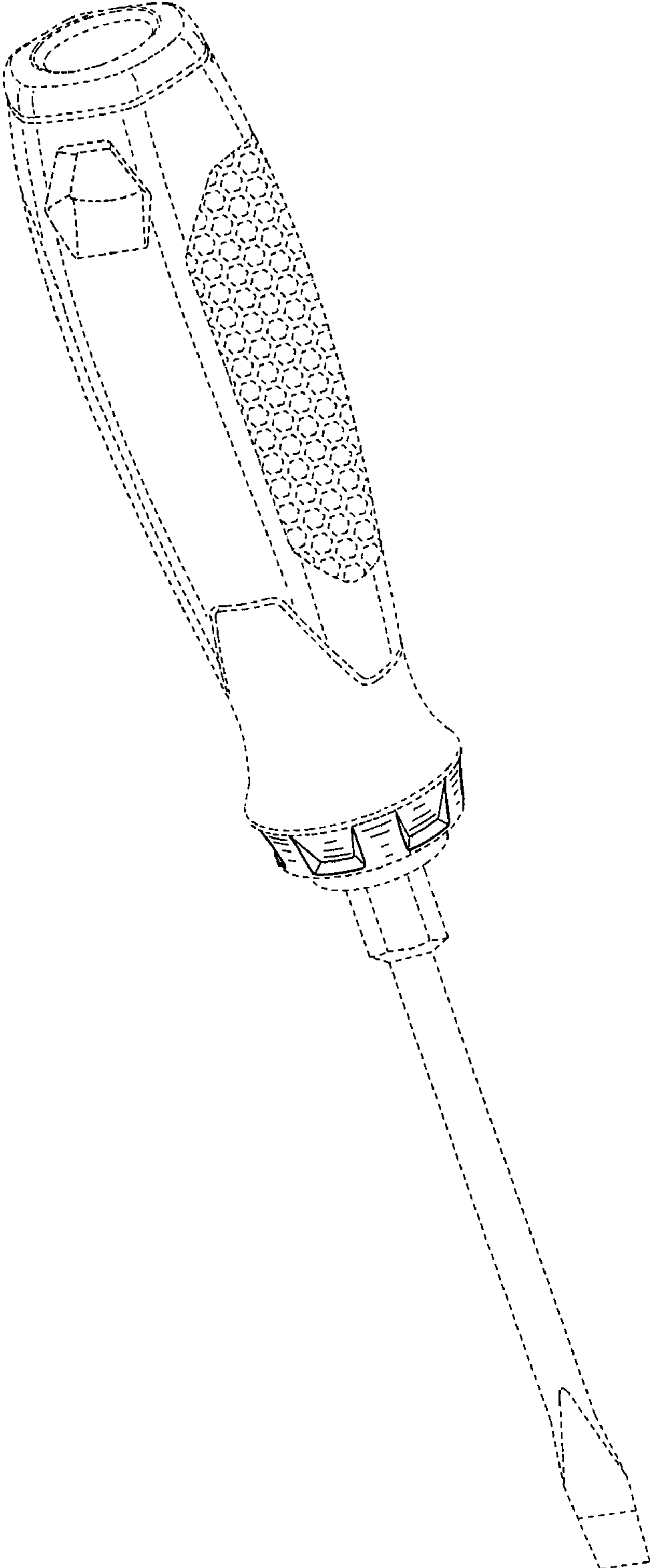


FIG. 1

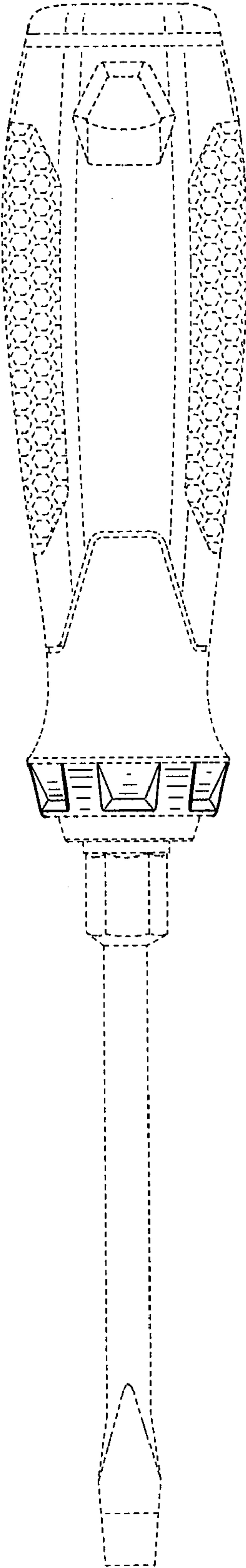


FIG. 2

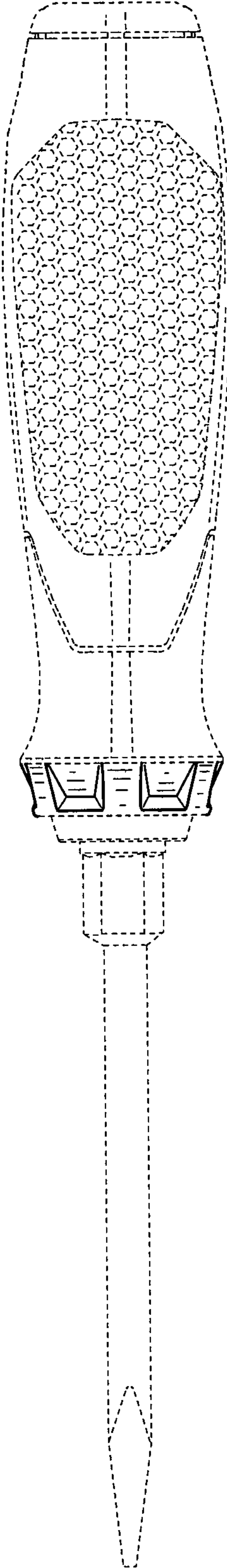


FIG. 3

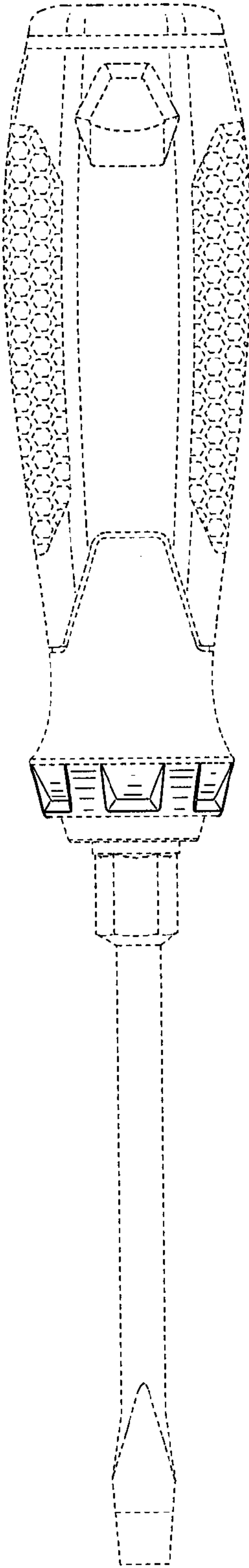


FIG. 4

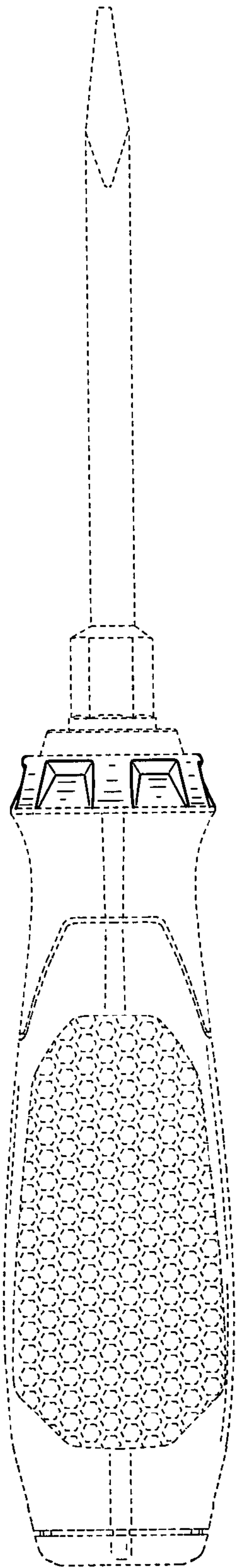
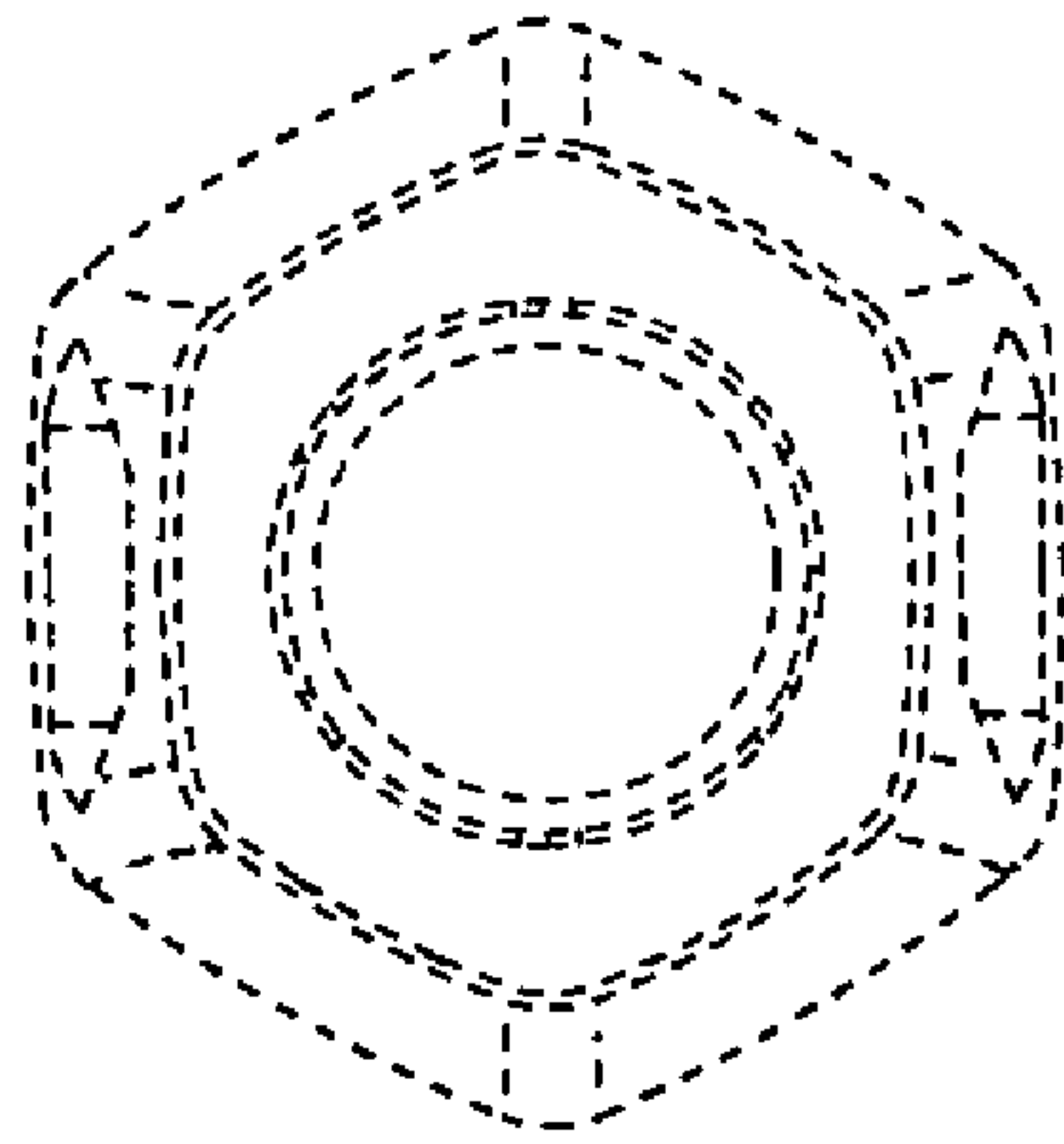
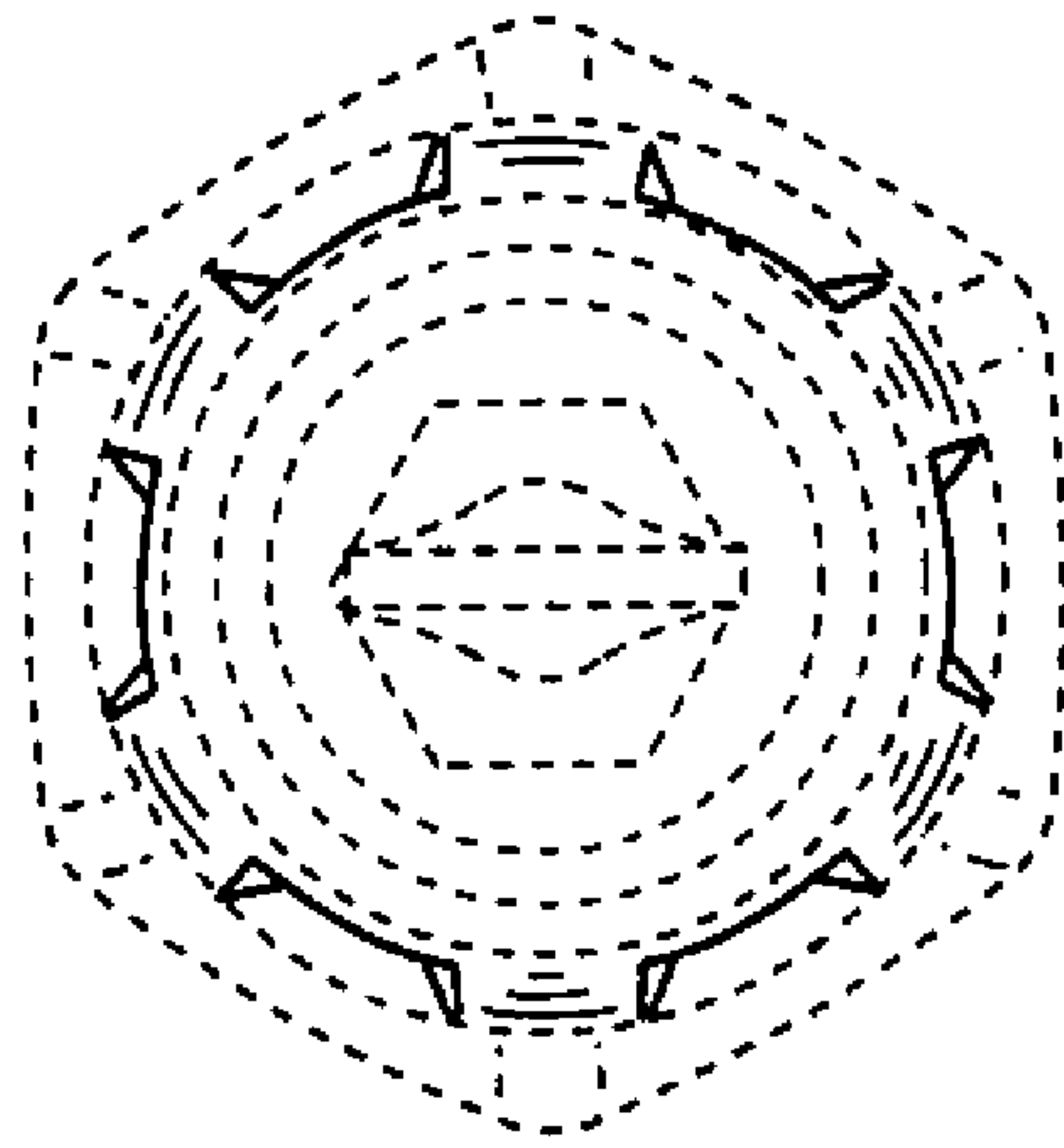


FIG. 5

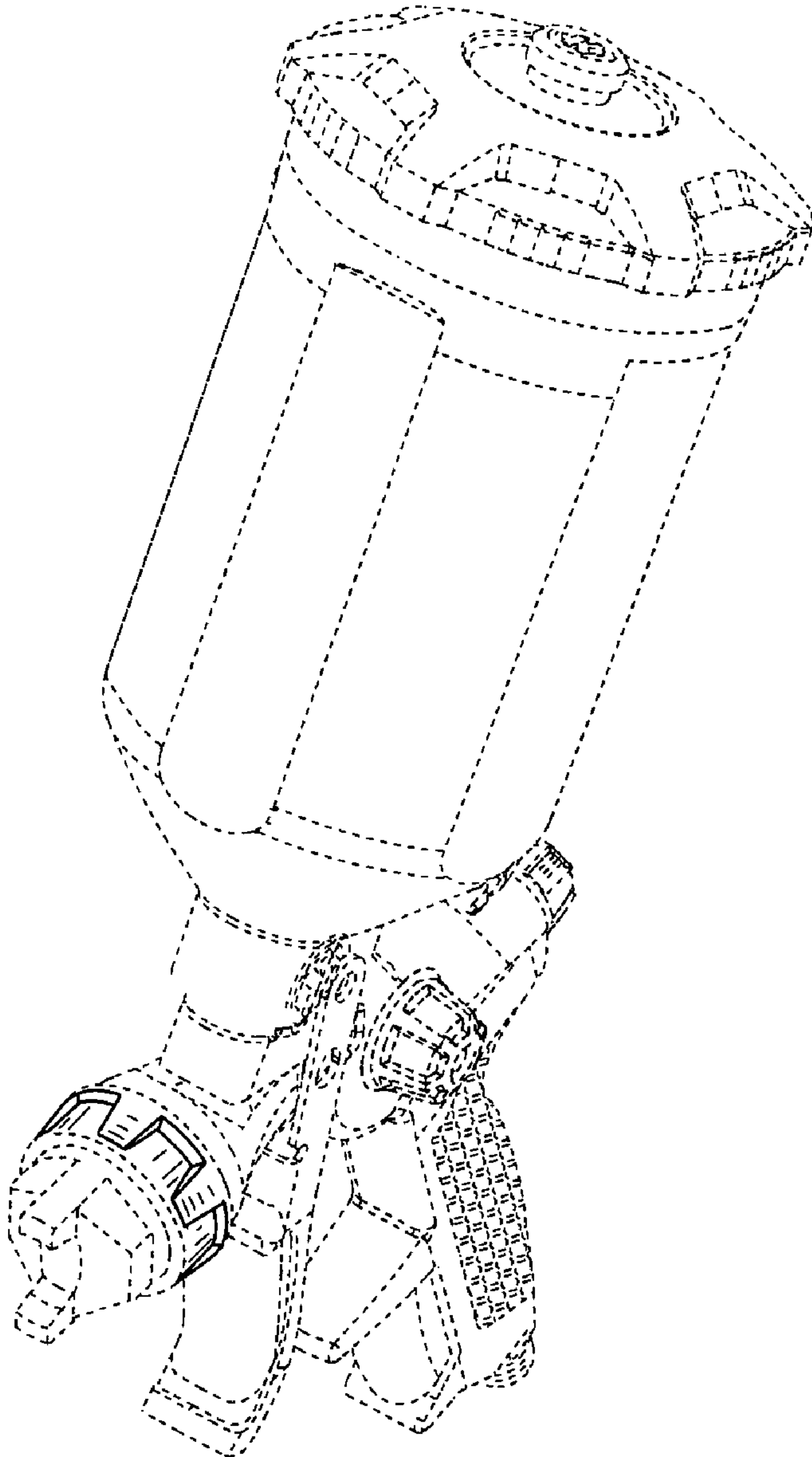


**FIG. 6**



**FIG. 7**





**FIG. 8**

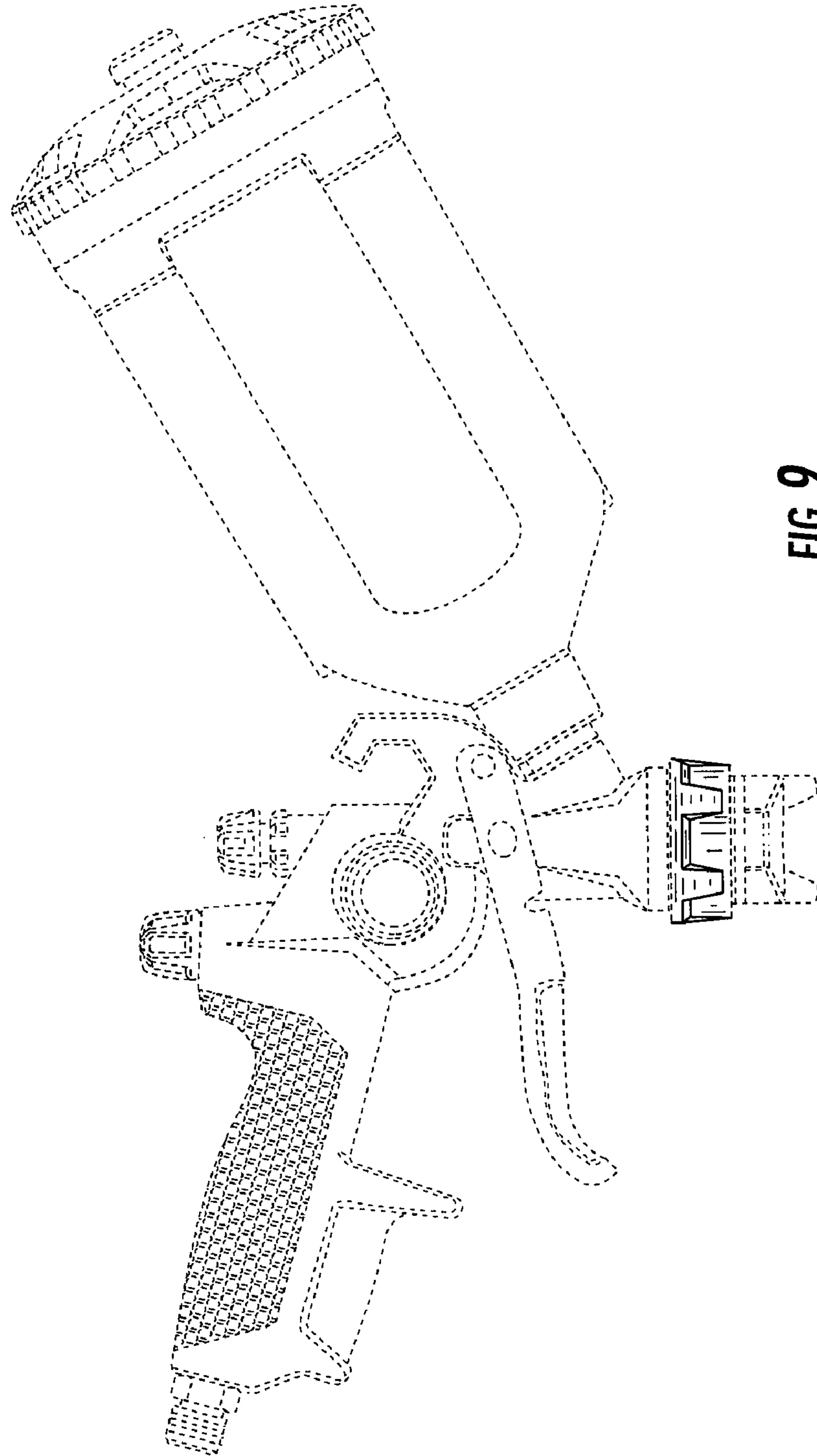
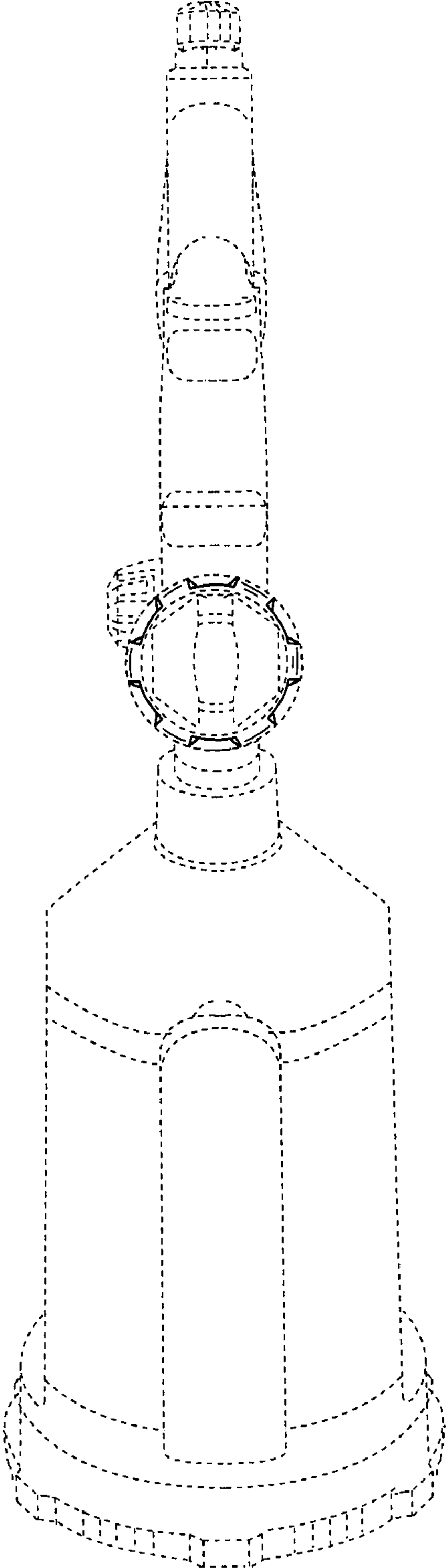
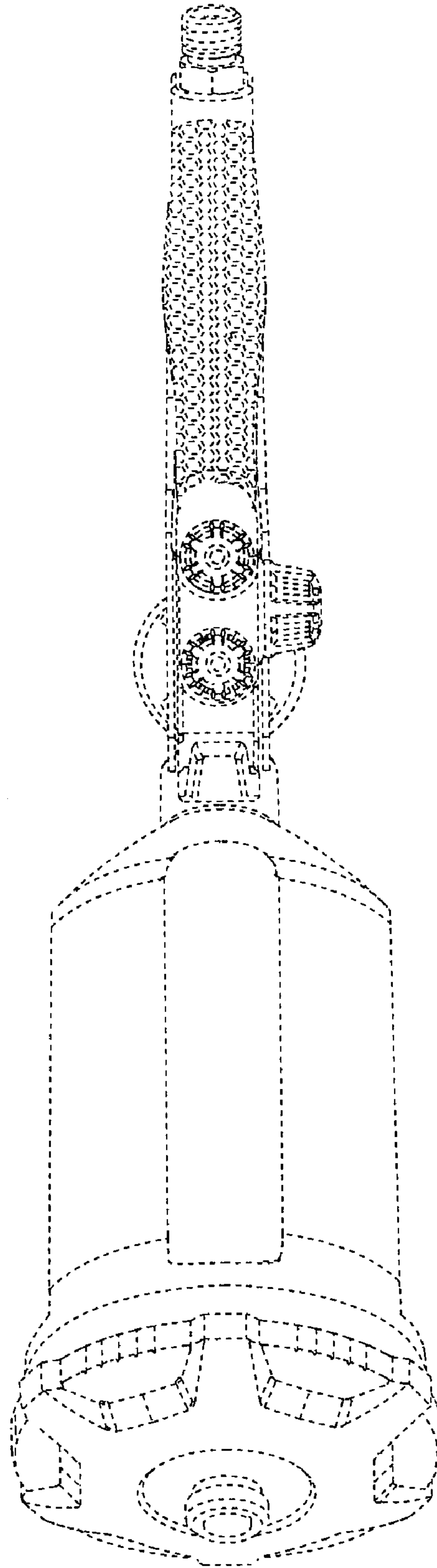


FIG. 9



**FIG. 10**



**FIG. 11**

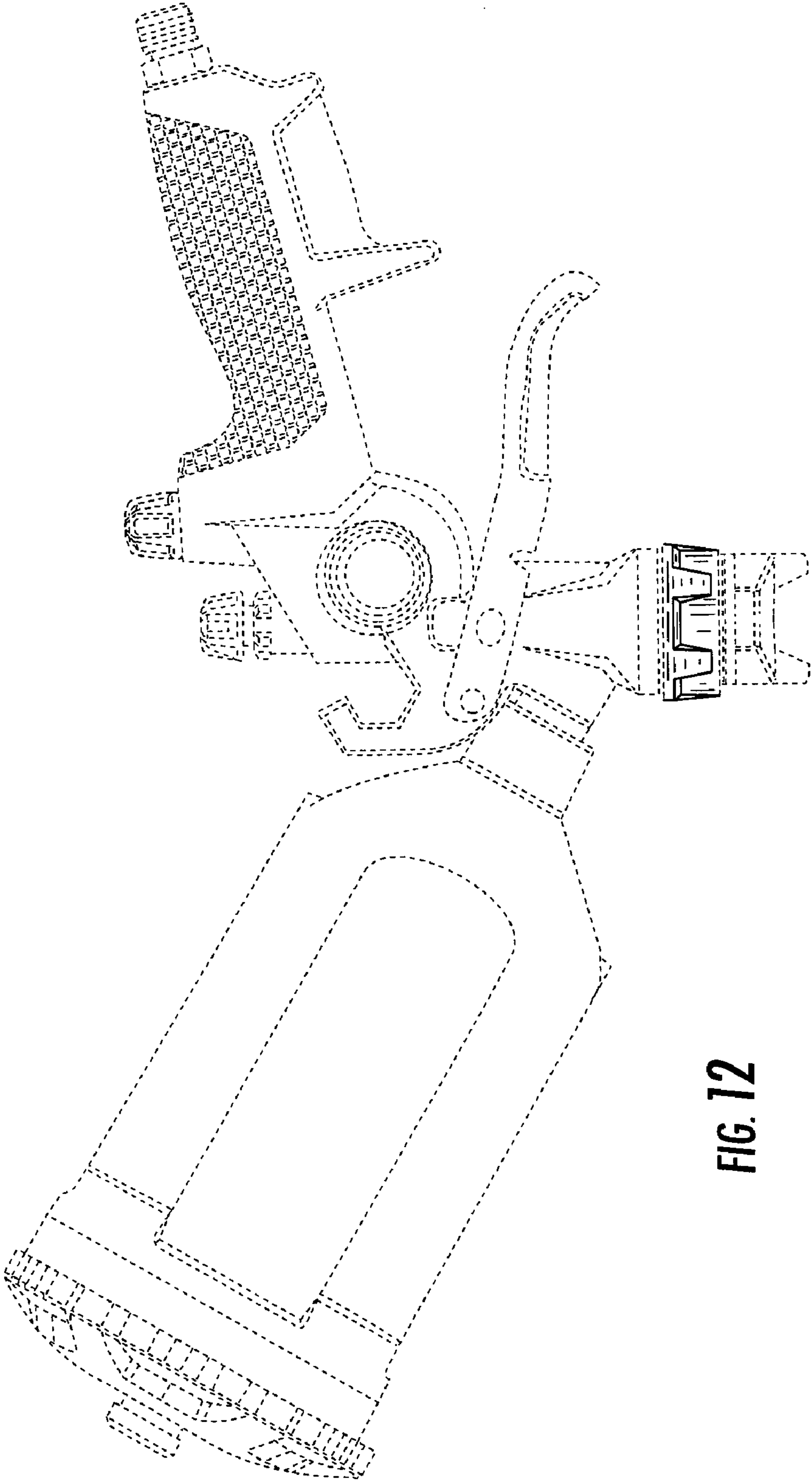
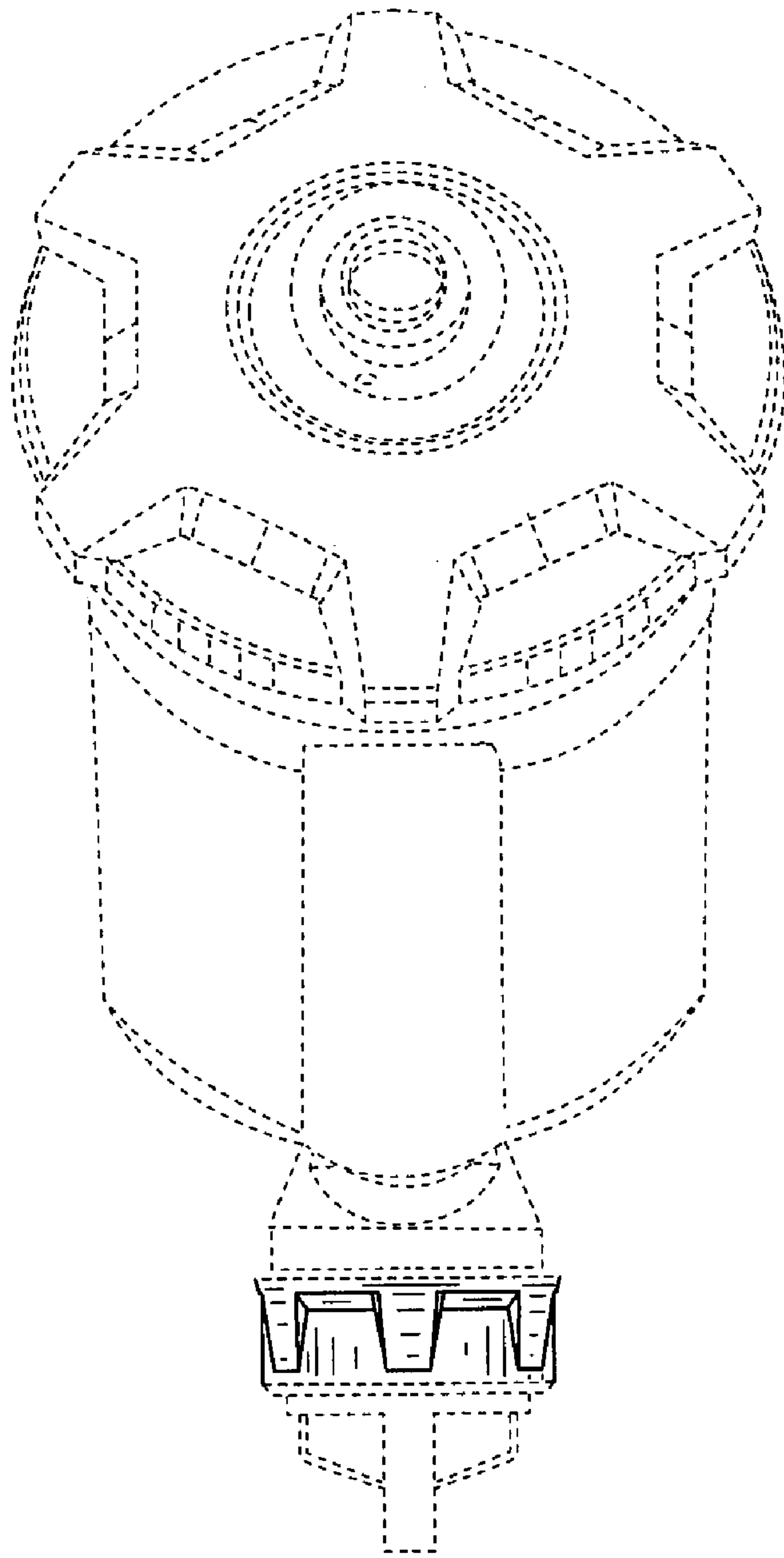
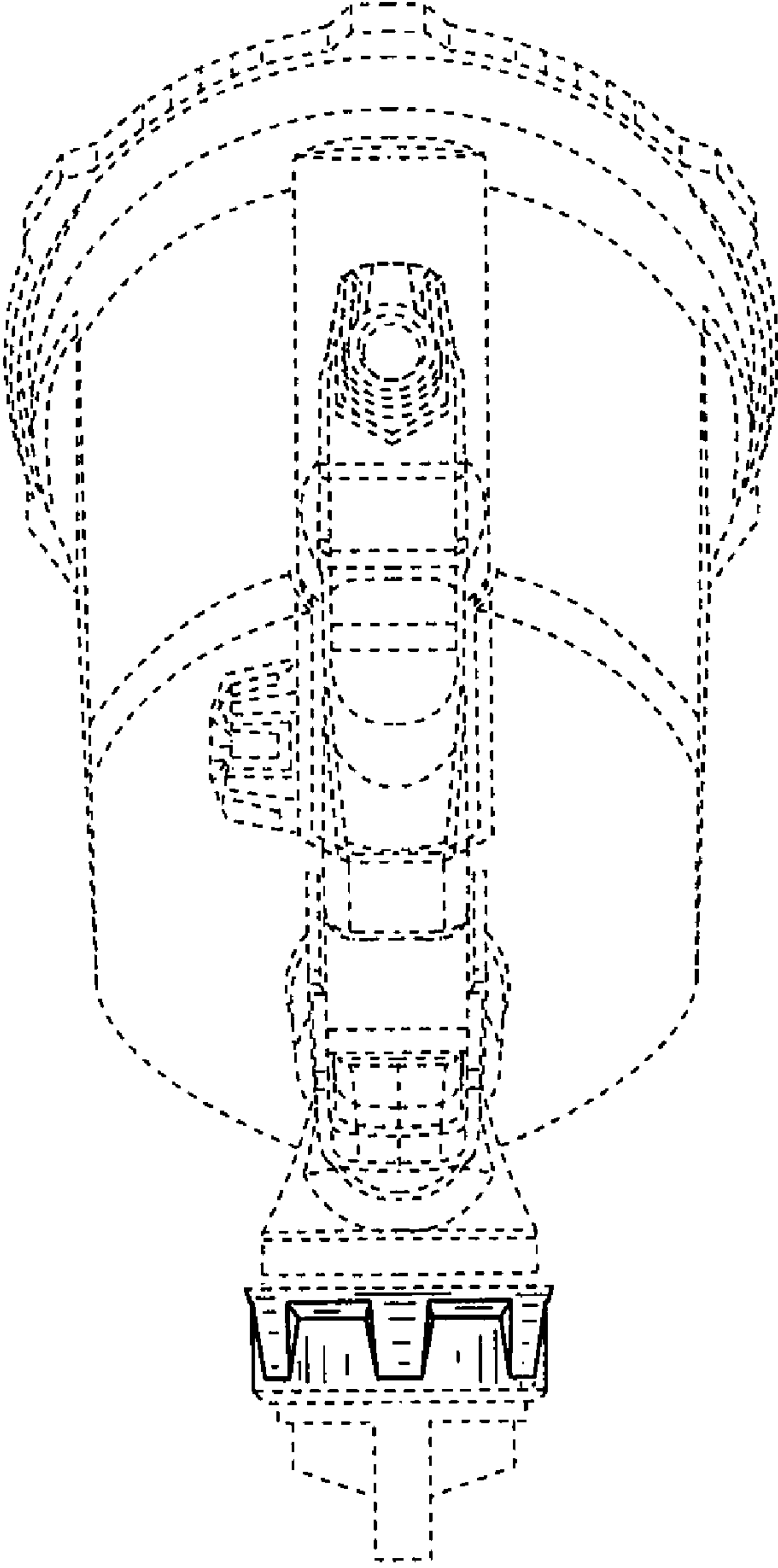


FIG. 12



**FIG. 13**



**FIG. 14**