



US00D572558S

(12) **United States Design Patent**  
**Demers et al.**

(10) **Patent No.:** **US D572,558 S**  
(45) **Date of Patent:** **\*\* Jul. 8, 2008**

(54) **TOOL HANDLE**

(75) Inventors: **Brian Joseph Demers**, Huntersville, NC (US); **Joseph Allen Berlepsch**, Mooresville, NC (US)

(73) Assignee: **Lowe's Companies, Inc.**, Mooresville, NC (US)

(\*\*) Term: **14 Years**

(21) Appl. No.: **29/249,389**

(22) Filed: **Oct. 4, 2006**

(51) **LOC (8) Cl.** ..... **08-05**

(52) **U.S. Cl.** ..... **D8/80**

(58) **Field of Classification Search** ..... D7/395;  
D32/49; D8/20, 21, 51, 52, 58, 68, 75, 80,  
D8/82, 83, 90, 94, 95, 97, 107, 300, 303;  
81/177.1, 489, 52; 16/422; D4/138  
See application file for complete search history.

(56) **References Cited**

U.S. PATENT DOCUMENTS

D432,381 S	*	10/2000	Khachatoorian	.....	D8/80
D482,259 S	*	11/2003	Chen	.....	D8/107
D486,050 S	*	2/2004	Rampen	.....	D8/83
D486,716 S	*	2/2004	Levine et al.	.....	D8/107
D490,680 S	*	6/2004	Levine et al.	.....	D8/83
D515,389 S	*	2/2006	Hsu	.....	D8/83
D517,889 S	*	3/2006	Hsieh	.....	D8/83
D533,455 S	*	12/2006	Leck et al.	.....	D9/516
D536,944 S	*	2/2007	Tsai et al.	.....	D8/68
D537,697 S	*	3/2007	Jimenez	.....	D8/80

\* cited by examiner

*Primary Examiner*—Cathron Brooks

*Assistant Examiner*—Barbara Fox

(74) *Attorney, Agent, or Firm*—Moore & Van Allen PLLC; W. Kevin Ransom

(57) **CLAIM**

The ornamental design for a tool handle, as shown and described.

**DESCRIPTION**

FIG. 1 is a perspective view of a tool handle showing our new design;

FIG. 2 is a left side elevational view thereof;

FIG. 3 is a right side elevational view thereof;

FIG. 4 is a front side elevational view thereof;

FIG. 5 is a rear side elevational view thereof;

FIG. 6 is a top side plan view thereof; and,

FIG. 7 is a bottom side plan view thereof.

FIG. 8 is a perspective view of a second embodiment of the tool handle showing our new design;

FIG. 9 is a front side elevational view thereof;

FIG. 10 is a rear side elevational view thereof;

FIG. 11 is a bottom side plan view thereof

FIG. 12 is a right side elevational view thereof;

FIG. 13 is a top side plan view thereof;

FIG. 14 is a left side elevational view thereof;

FIG. 15 is a perspective view of a third embodiment of the tool handle showing our new design;

FIG. 16 is a bottom side plan view thereof

FIG. 17 is a top side plan view thereof;

FIG. 18 is a rear side elevational view thereof;

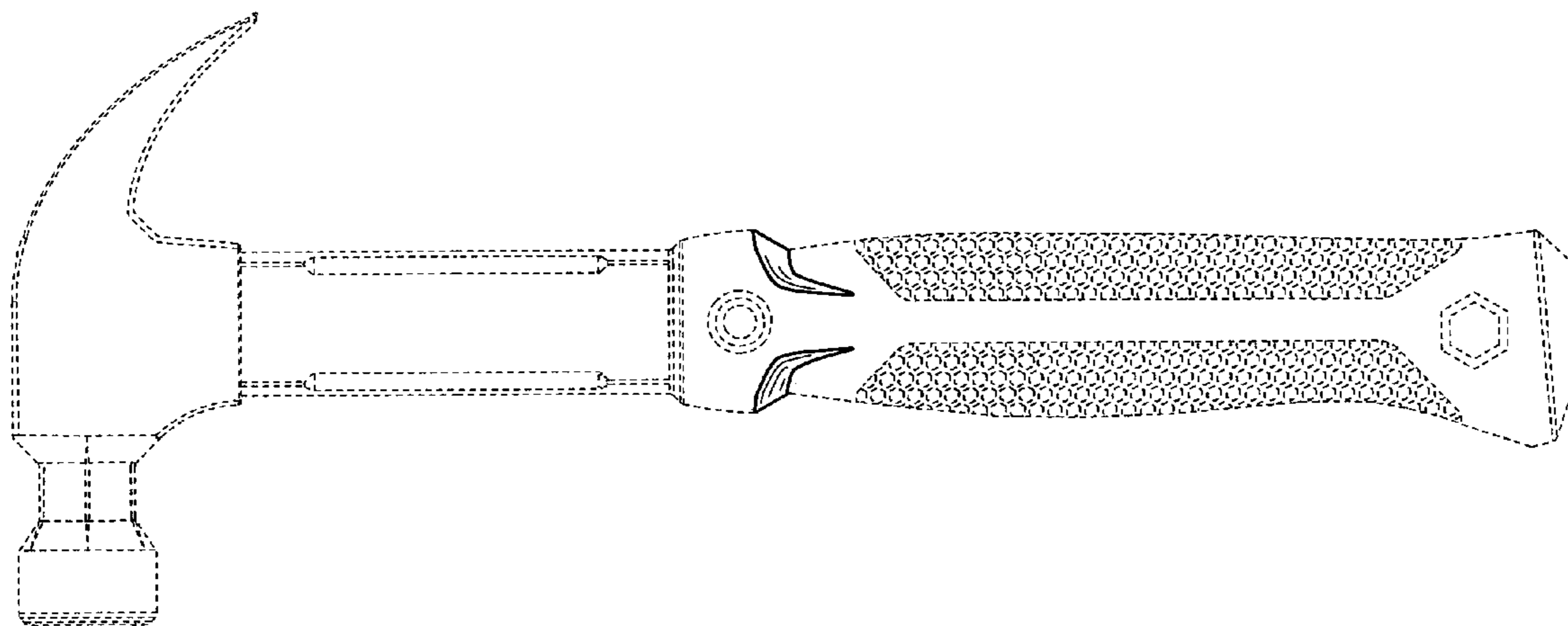
FIG. 19 is a left side elevational view thereof;

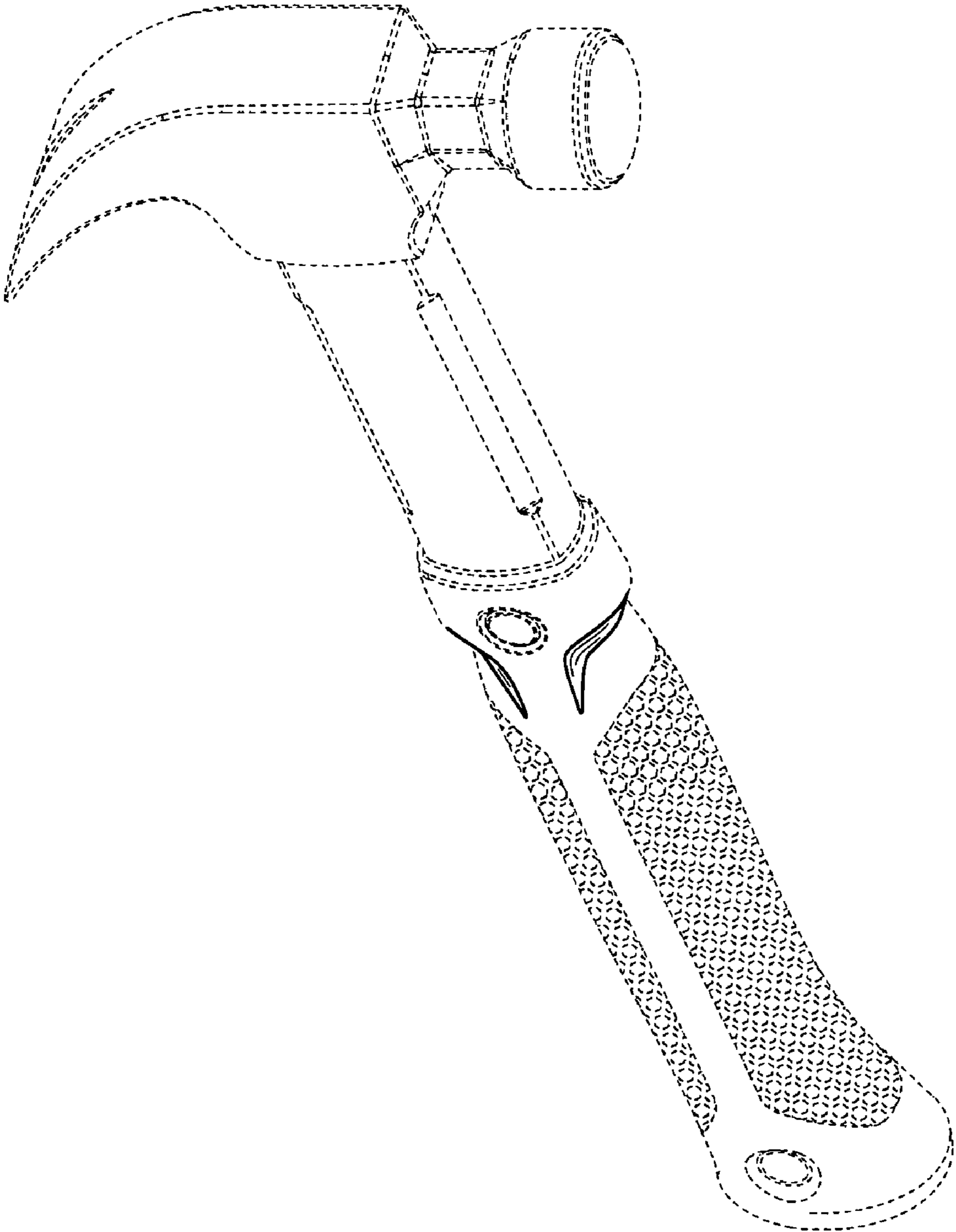
FIG. 20 is a front side elevational view thereof; and,

FIG. 21 is a right side elevational view thereof.

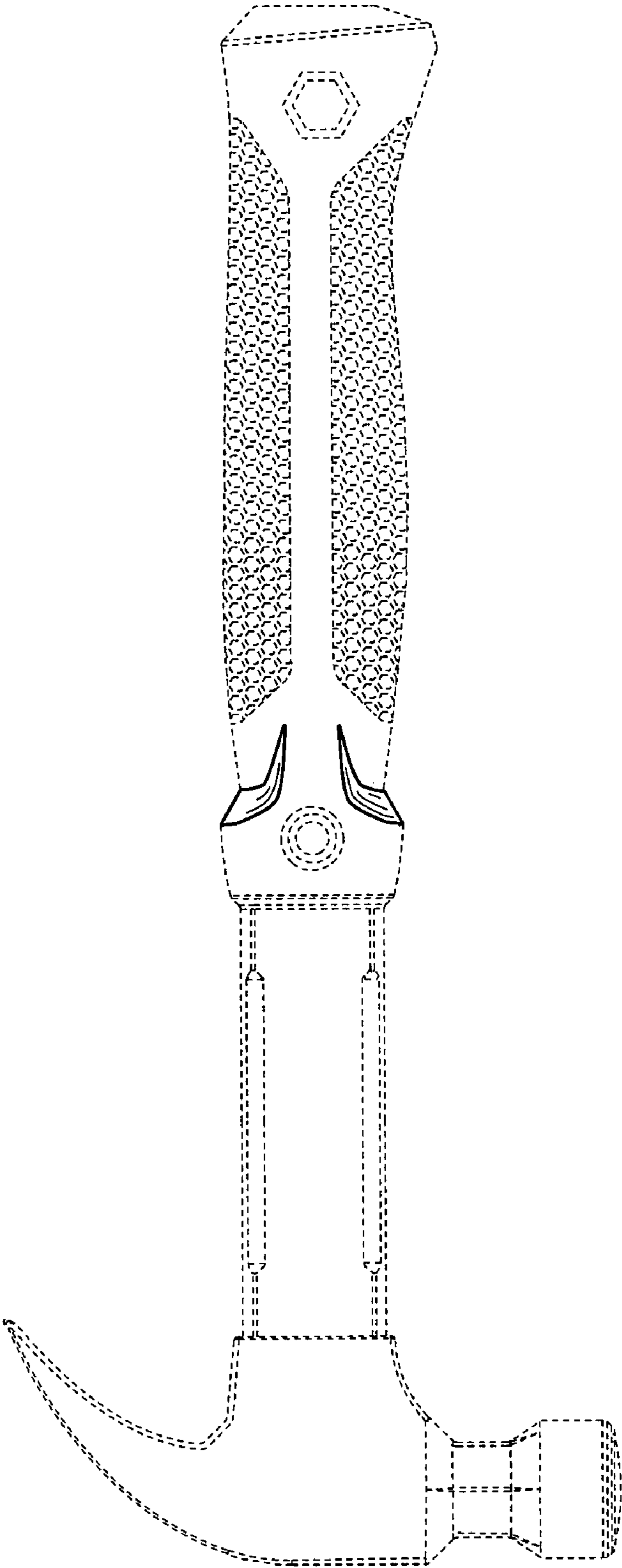
The broken lines shown herein are for illustrative purposes only and form no part of the claimed design.

**1 Claim, 21 Drawing Sheets**

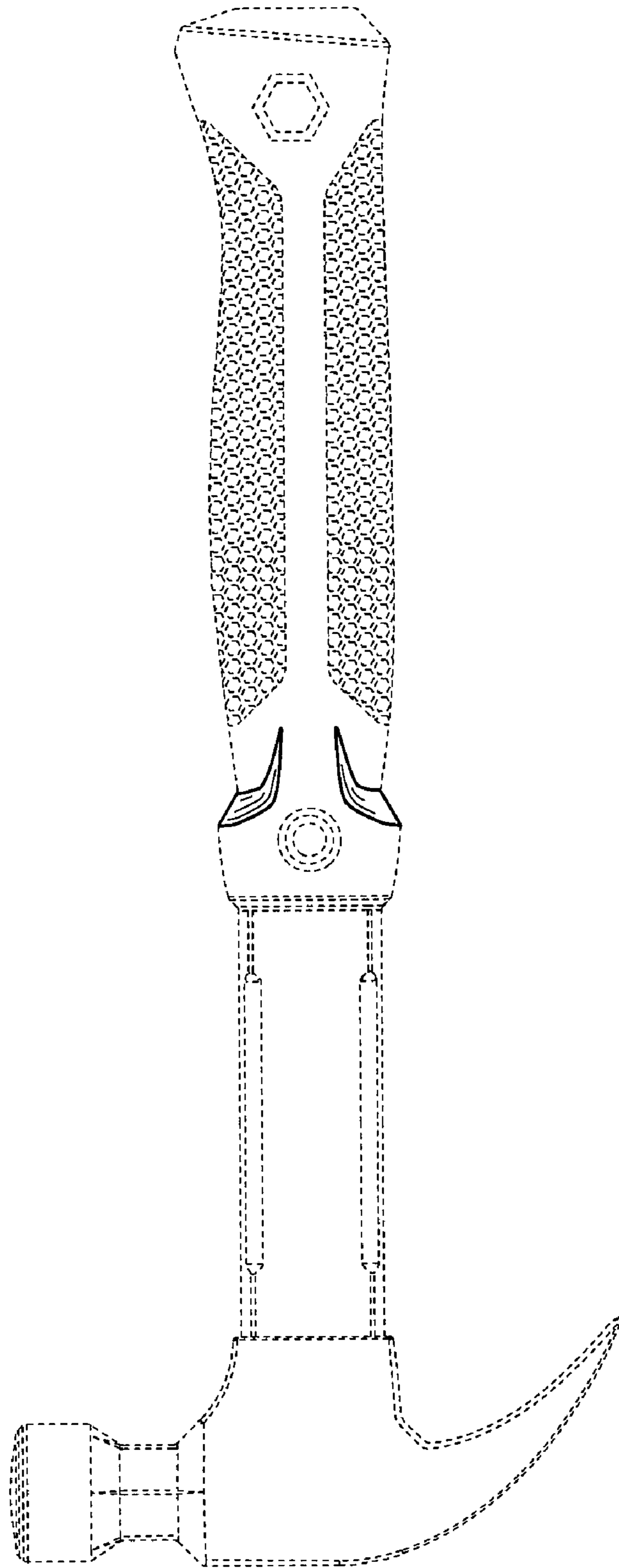




**FIG. 1**



**FIG. 2**



**FIG. 3**

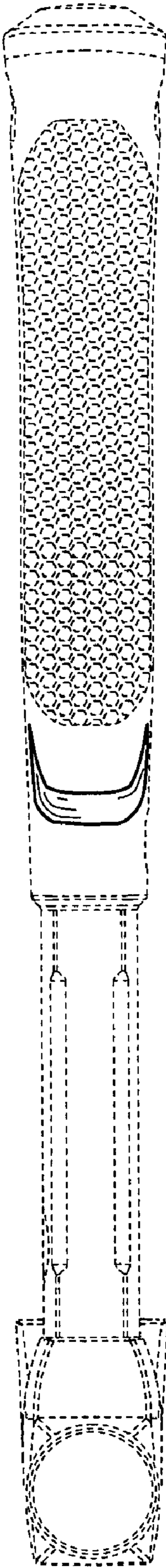


FIG. 4

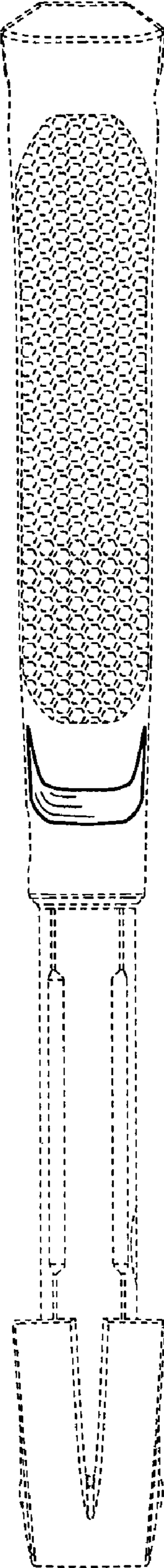
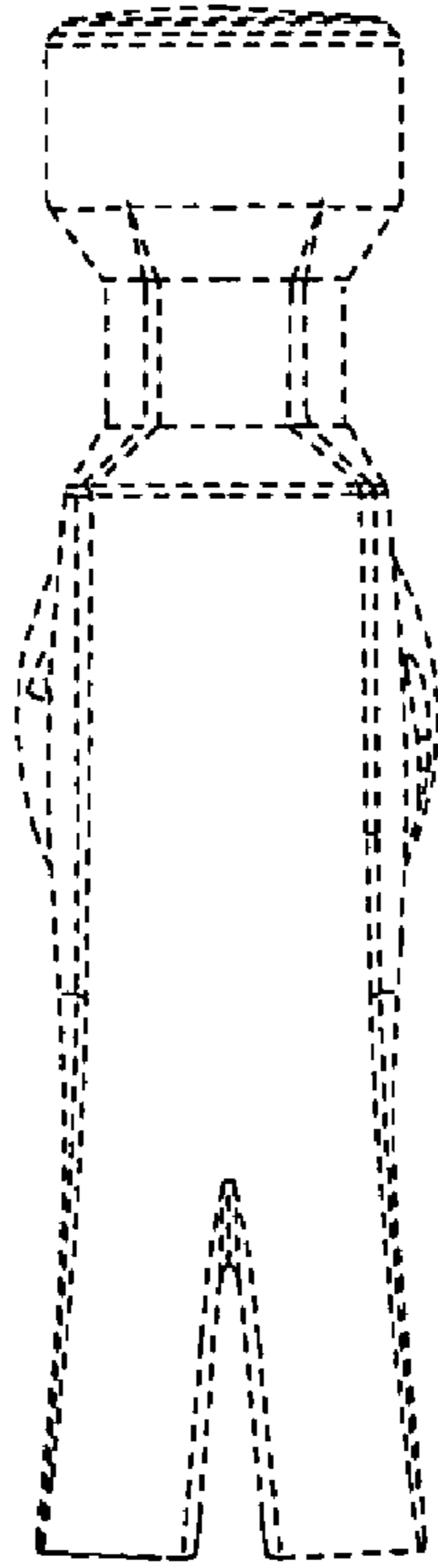
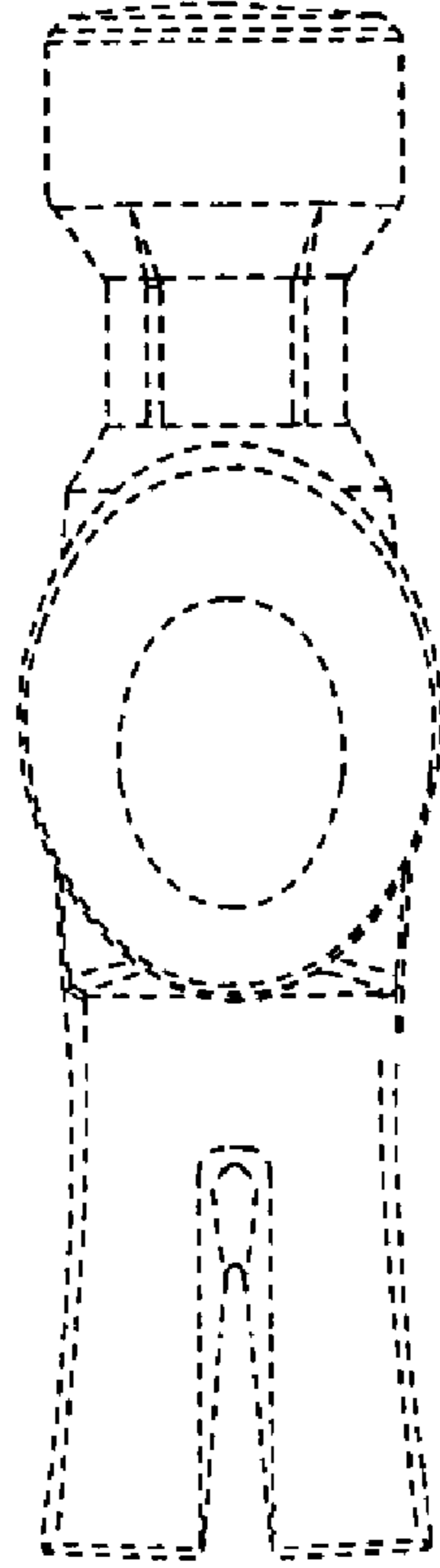


FIG. 5



**FIG. 6**

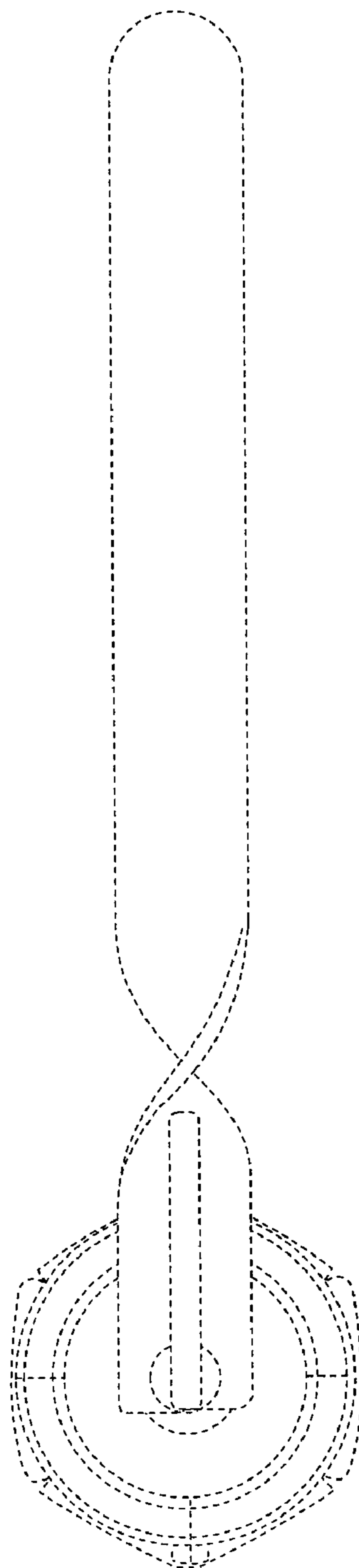


**FIG. 7**

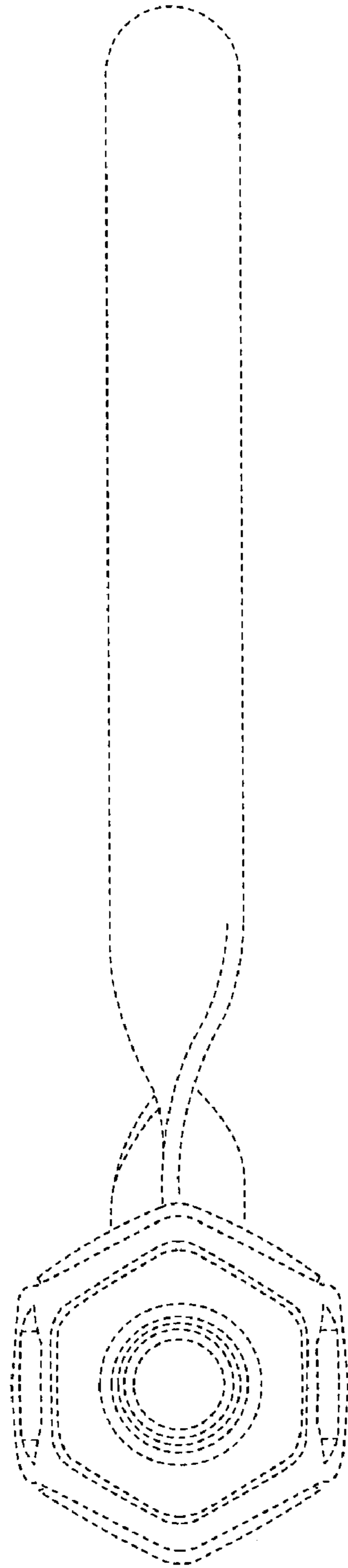




FIG. 8



**FIG. 9**



**FIG. 10**

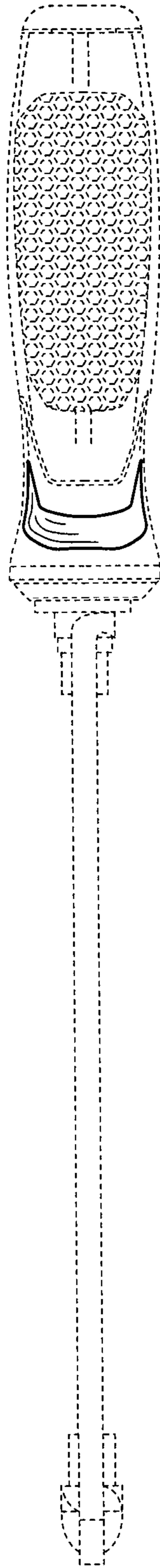


FIG. 11

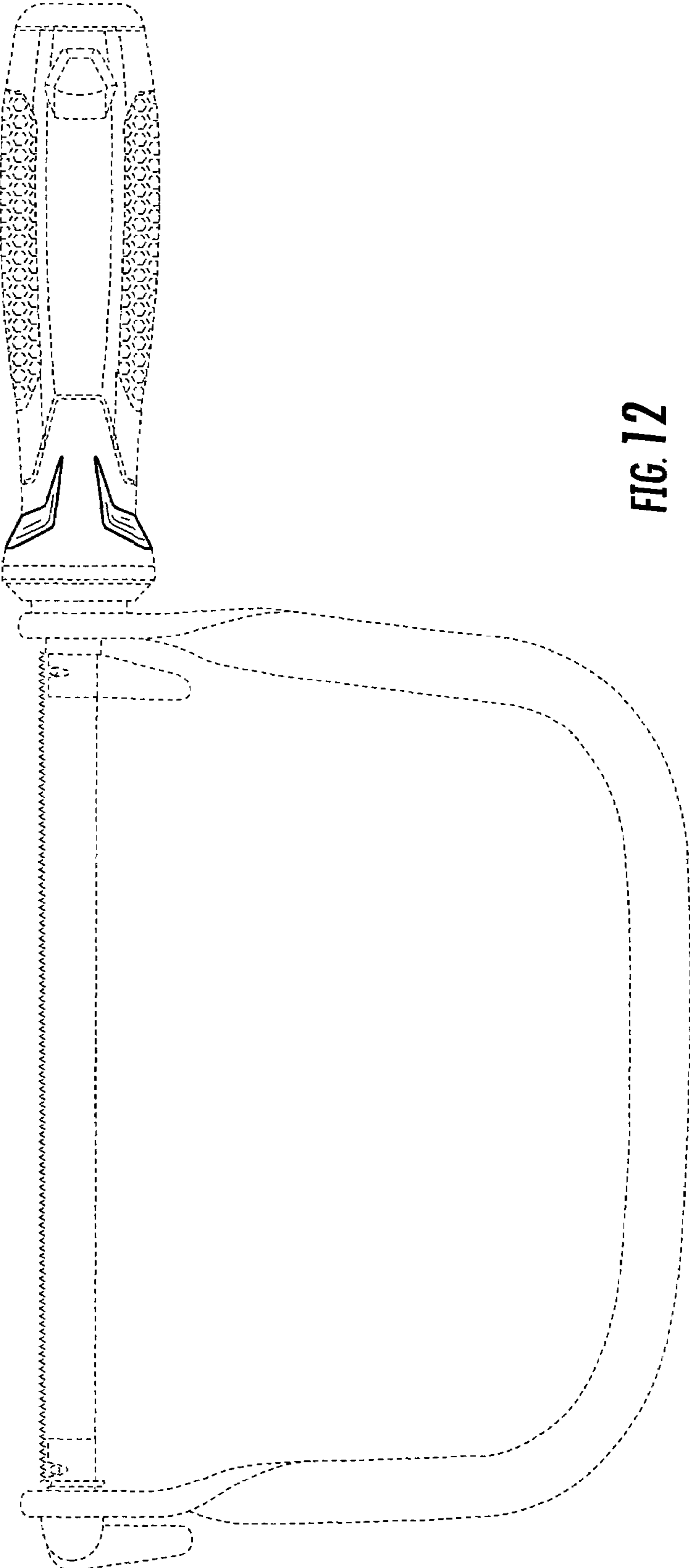


FIG. 12

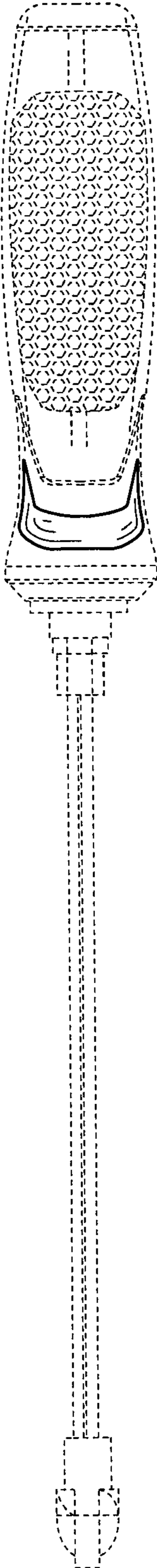


FIG. 13

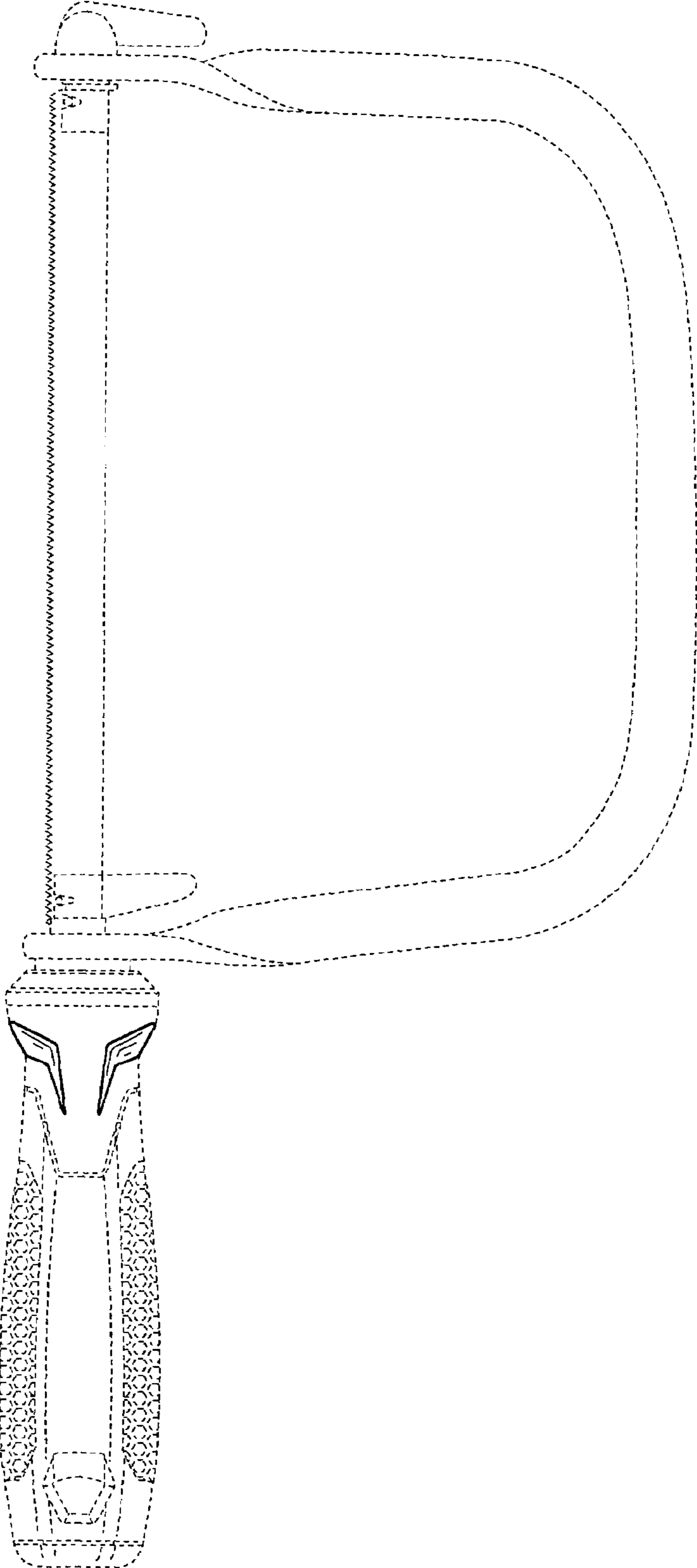


FIG. 14

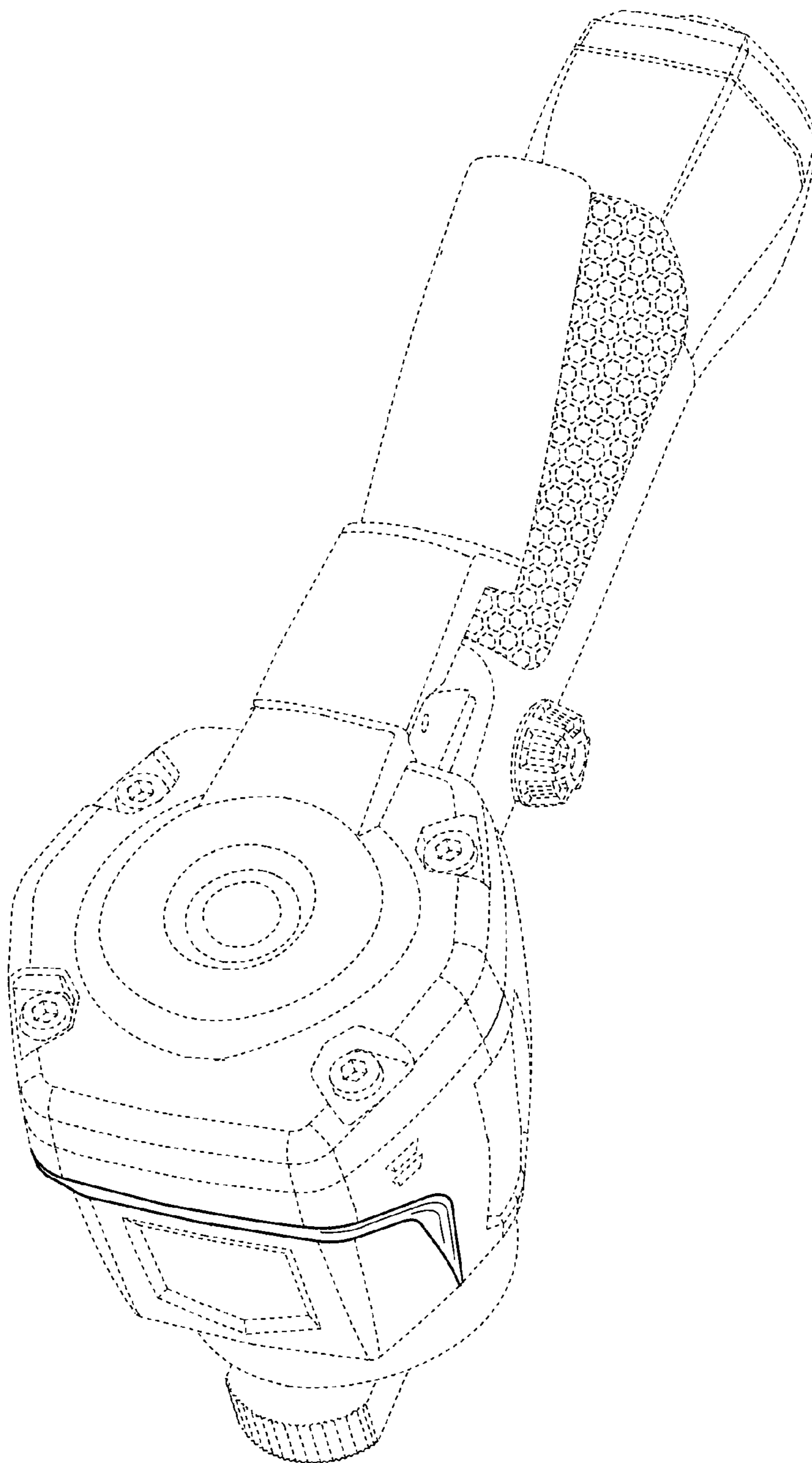
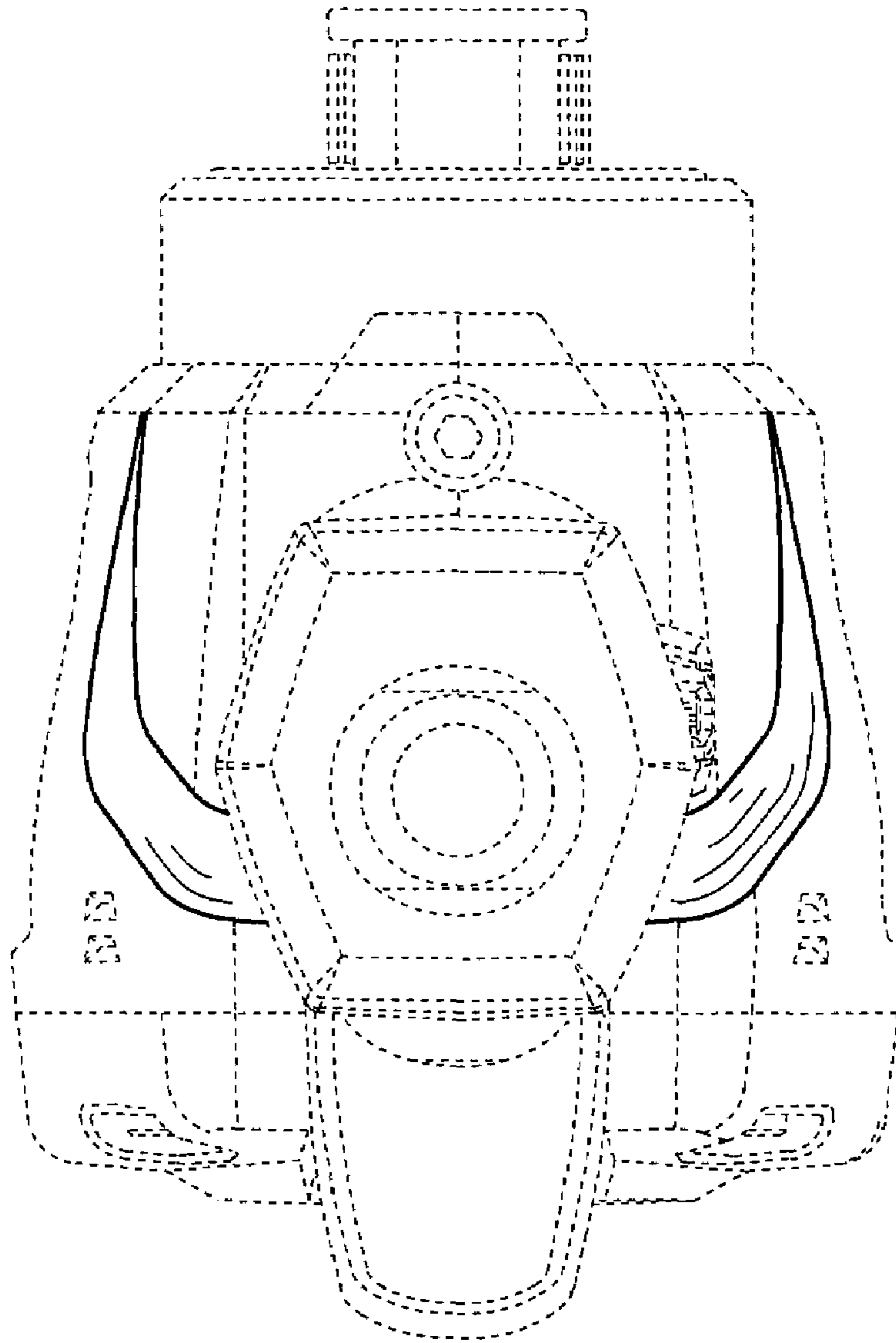
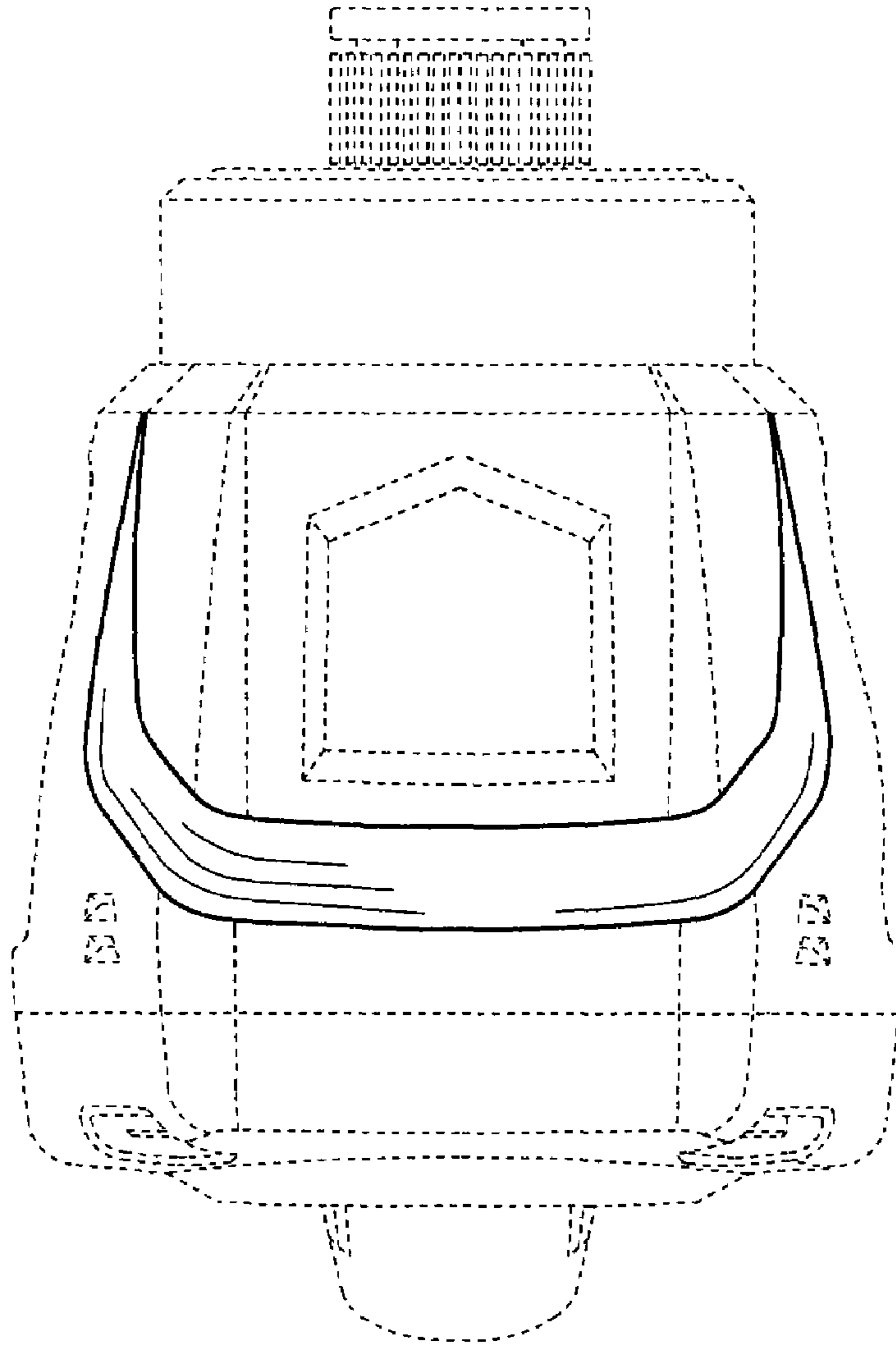


FIG. 15

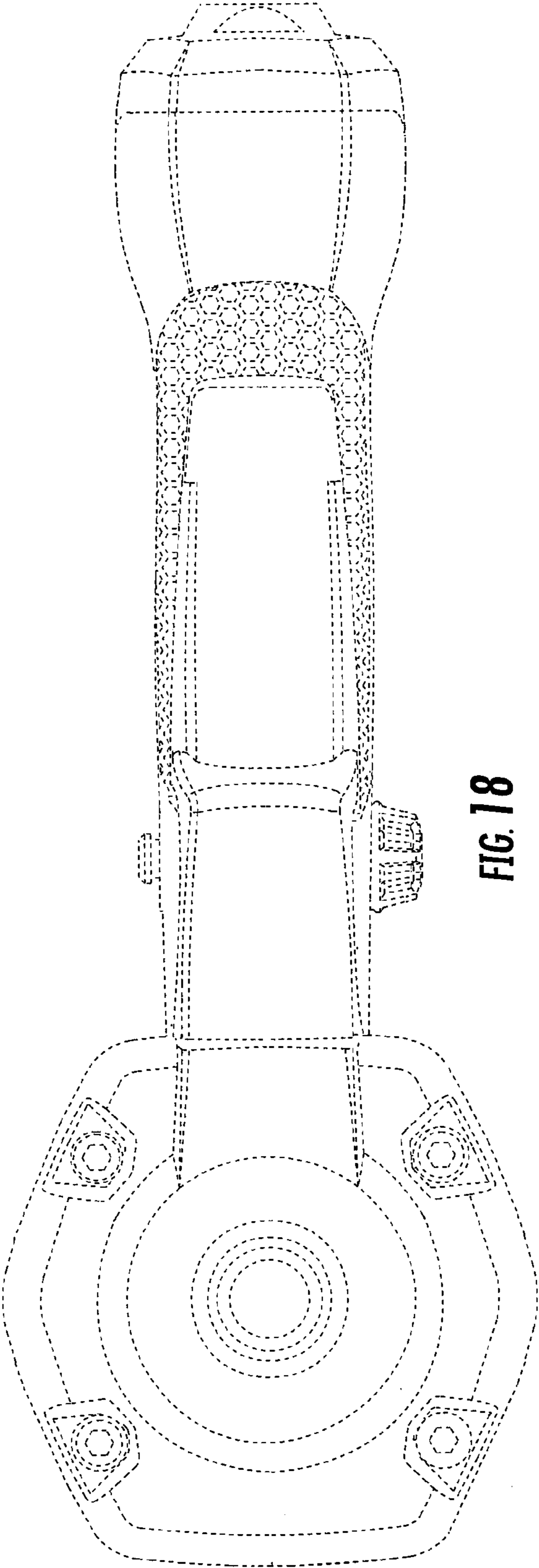




**FIG. 16**



**FIG. 17**



**FIG. 18**

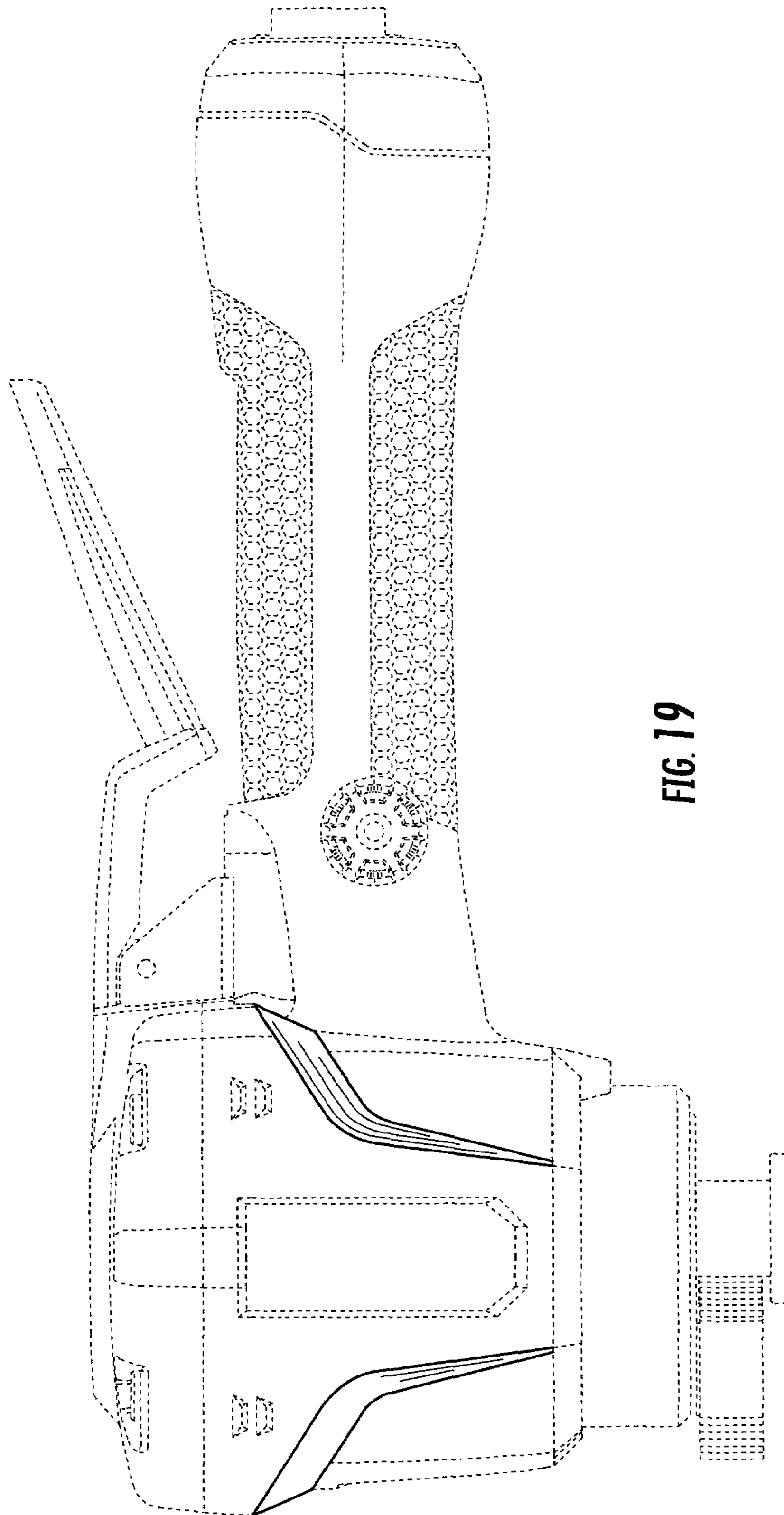


FIG. 19

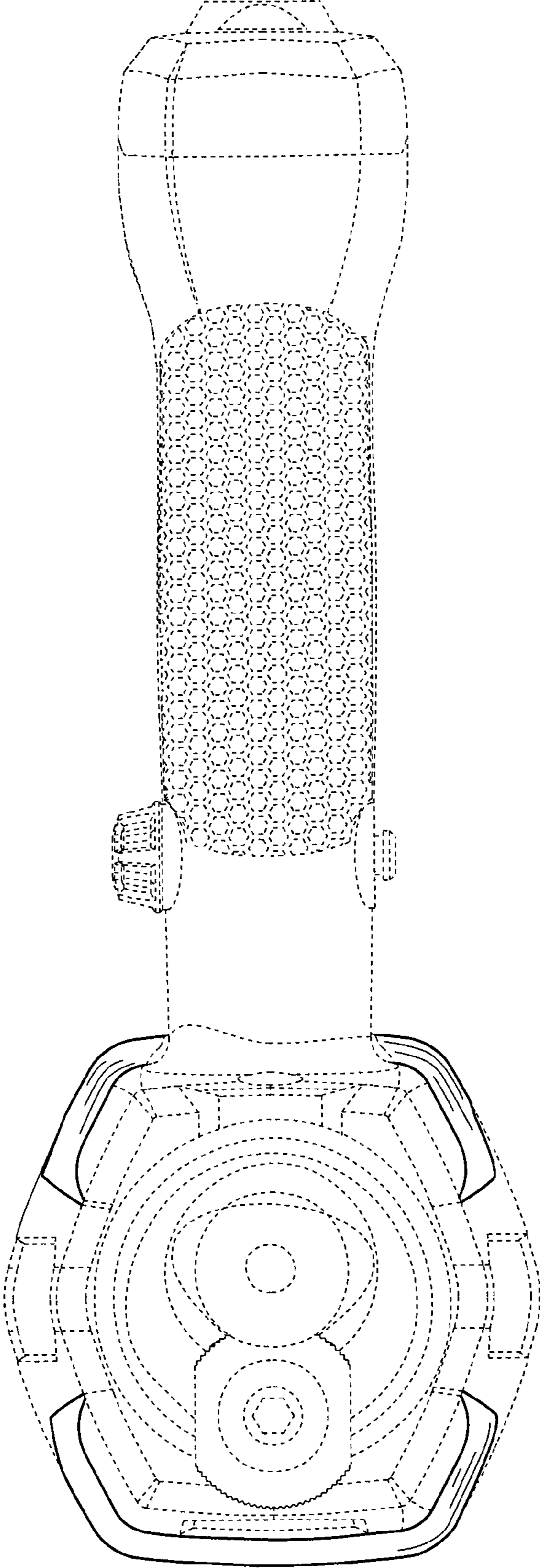


FIG. 20

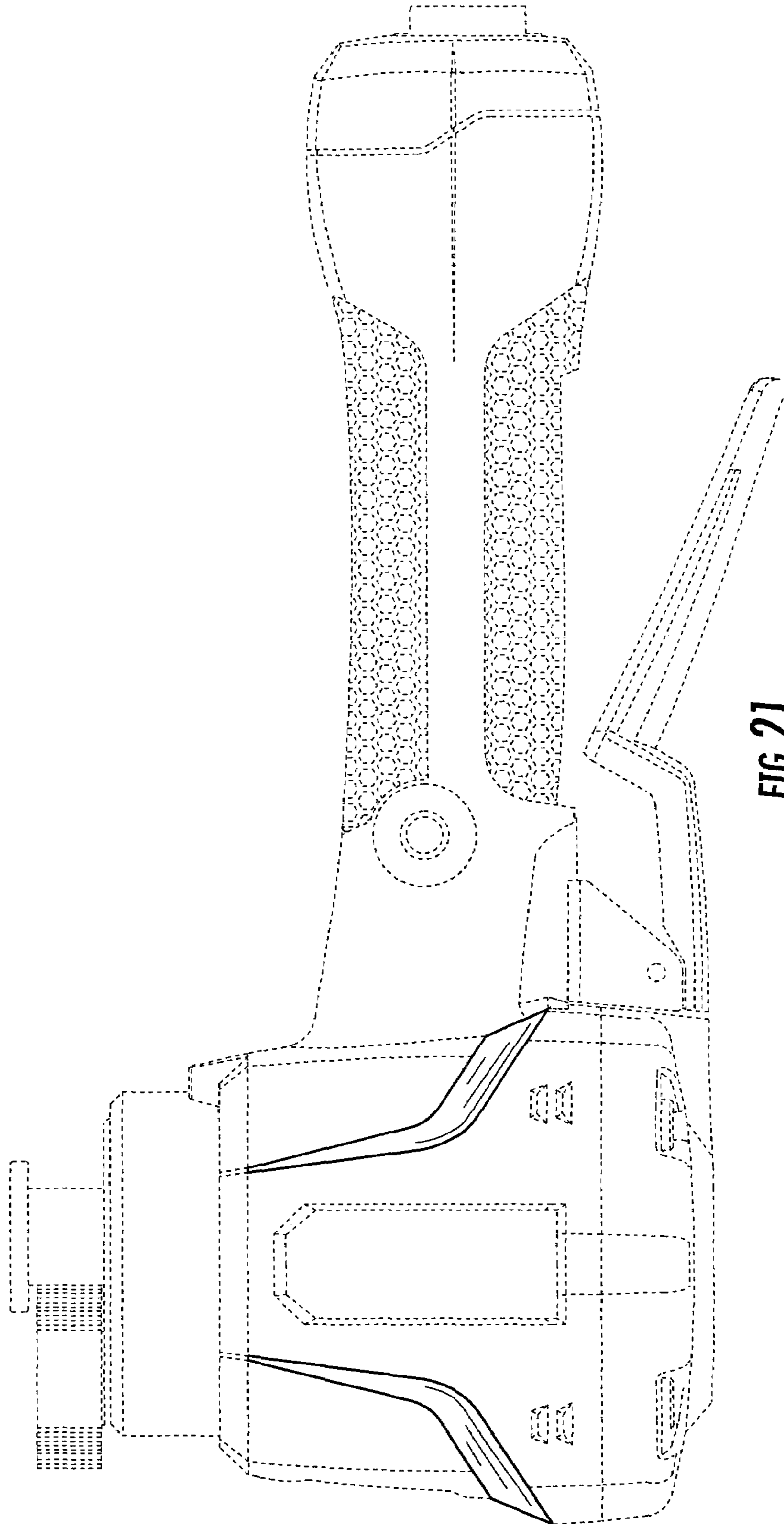


FIG. 21