



US00D572556S

(12) **United States Design Patent**
Leasure

(10) **Patent No.:** **US D572,556 S**
(45) **Date of Patent:** **** Jul. 8, 2008**

(54) **PNEUMATIC FASTENER**

(75) Inventor: **Jeremy D. Leasure**, Jackson, TN (US)

(73) Assignee: **Black & Decker Inc.**, Newark, DE (US)

(**) Term: **14 Years**

(21) Appl. No.: **29/288,870**

(22) Filed: **Jun. 25, 2007**

Related U.S. Application Data

(60) Division of application No. 29/229,615, filed on May 10, 2005, now Pat. No. Des. 551,931, which is a continuation of application No. 29/229,615, filed on May 10, 2005, which is a division of application No. 29/196,743, filed on Dec. 31, 2003, now Pat. No. Des. 498,127, which is a continuation of application No. 29/196,743, filed on Dec. 31, 2003, which is a continuation-in-part of application No. 29/194,381, filed on Nov. 19, 2003, now Pat. No. Des. 498,127.

(51) **LOC (8) Cl.** **08-05**

(52) **U.S. Cl.** **D8/69**

(58) **Field of Classification Search** D8/14.1, D8/61-70; 81/57.11, 429, 454-456, 469, 81/489; 173/13, 104, 114, 168-171, 178, 173/201, 211, 213, 217; 408/20, 124, 125, 408/234, 241 R; 451/358; 310/50; 227/8, 227/113, 114, 120, 130, 136, 142
See application file for complete search history.

(56) **References Cited**

U.S. PATENT DOCUMENTS

4,669,648 A	6/1987	Monacelli	227/120
D316,022 S	4/1991	Moraht	D8/69
D332,561 S	1/1993	Fushiya et al.	D8/69
D334,329 S	3/1993	Ogawa et al.	D8/68
D336,026 S	6/1993	Fujiwara	D8/68
D337,252 S	7/1993	Tsuru et al.	D8/69
D338,818 S	8/1993	Katsuba	D8/62
D338,819 S	8/1993	Ohkochi	D8/69

5,240,161 A	8/1993	Kaneko	227/136
5,267,682 A	12/1993	Okouchi	227/120
5,322,189 A	6/1994	Oda	227/120
D377,592 S	1/1997	Hattori	D8/69
D379,912 S	6/1997	Burke et al.	D8/68
D387,259 S	12/1997	Braddock et al.	D8/69
5,720,422 A	2/1998	Ichikawa et al.	227/120
D392,170 S	3/1998	Hattori	D8/68
5,743,455 A	4/1998	Holliday	227/142
5,842,625 A	12/1998	Kimura	227/130
5,862,970 A	1/1999	Cougar	227/130
5,878,936 A	3/1999	Adachi et al.	227/130
D416,182 S	11/1999	Kaiser et al.	D8/69
6,036,072 A	3/2000	Lee	227/120
6,131,787 A	10/2000	Curtis	227/120
6,152,346 A	11/2000	Laubach	227/136
6,161,744 A	12/2000	Mukoyama et al.	227/130
D435,769 S	1/2001	Etter et al.	D8/68
6,186,386 B1	2/2001	Canlas et al.	227/8
6,189,759 B1	2/2001	Canlas et al.	227/120
6,199,739 B1	3/2001	Mukoyama et al.	227/120
D447,031 S	8/2001	Oh	D8/63

(Continued)

FOREIGN PATENT DOCUMENTS

GB 2103708 S 2/2001

Primary Examiner—T. Chase Nelson

(74) *Attorney, Agent, or Firm*—Scott B. Markow; Adan Ayala

(57) **CLAIM**

The ornamental design for a pneumatic fastener, as shown and described.

DESCRIPTION

FIG. 1 is a top plan view of the pneumatic fastener.

FIG. 2 is a front elevational view thereof.

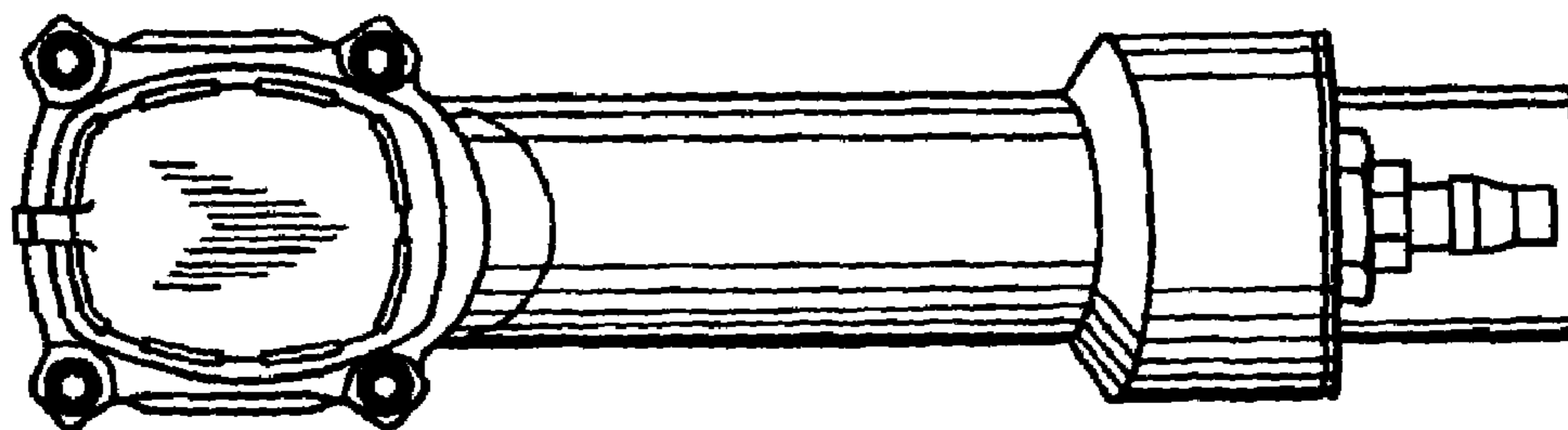
FIG. 3 is a left side elevational view thereof.

FIG. 4 is a rear elevational view thereof.

FIG. 5 is a right elevational view thereof; and,

FIG. 6 is a bottom plan view thereof.

1 Claim, 2 Drawing Sheets



US D572,556 S

Page 2

U.S. PATENT DOCUMENTS

D458,525 S	6/2002	Buck	D8/68	D501,383 S	2/2005	Fang et al.	D8/68
D459,184 S	6/2002	Buck	D8/69	6,883,696 B1	4/2005	Steinbrunner et al.	227/8
D459,185 S	6/2002	Buck	D8/69	6,886,729 B1	5/2005	Lee	227/8
D461,694 S	8/2002	Buck	D8/68	6,896,165 B1	5/2005	Wang	227/120
6,431,429 B1	8/2002	Canlas et al.	227/8	D507,468 S	7/2005	Liang	D8/68
D462,884 S	9/2002	Oh	D8/69	6,929,165 B1	8/2005	Chen et al.	227/8
6,494,355 B2	12/2002	Adachi et al.	227/120	6,938,812 B2	9/2005	Miller et al.	227/120
D472,780 S	4/2003	Matsuoka et al.	D8/68	6,948,647 B1	9/2005	Niblett et al.	227/130
D474,386 S	5/2003	Arai	D8/68	6,966,476 B2	11/2005	Jalbert et al.	227/8
D475,597 S	6/2003	Arai	D8/68	D512,291 S	12/2005	Thomas et al.	D8/69
D477,513 S	7/2003	Bor	D8/68	D512,620 S	12/2005	Thomas et al.	D8/69
D477,514 S	7/2003	Chen	D8/68	D512,621 S	12/2005	Thomas et al.	D8/69
D477,759 S	7/2003	Buck	D8/68	D512,622 S	12/2005	Thomas	D8/69
D477,762 S	7/2003	Bor	D8/68	6,978,920 B2	12/2005	Hamada et al.	227/120
D477,975 S	8/2003	Lai	D8/68	D514,911 S	2/2006	Thomas et al.	D8/69
D477,976 S	8/2003	Liu	D8/68	D517,886 S	3/2006	Thomas et al.	D8/69
D478,490 S	8/2003	Wu	D8/68	D518,698 S	4/2006	Thomas et al.	D8/69
6,609,646 B2	8/2003	Miller et al.	227/120	D527,972 S *	9/2006	Leasure et al.	D8/69
6,612,476 B2	9/2003	Smolinski	227/130	7,182,236 B1 *	2/2007	Wen	227/8
6,644,530 B2	11/2003	Chen	227/120	D549,062 S *	8/2007	Buck	D8/69
6,675,999 B2	1/2004	Mukoyama et al.	227/130	D552,954 S *	10/2007	Buck	D8/69
6,679,413 B2	1/2004	Miller et al.	227/120	7,284,685 B1 *	10/2007	Wojcicki	227/136
D486,712 S	2/2004	Yao	D8/68	2001/0017311 A1	8/2001	Hamano et al.	227/120
6,715,657 B2	4/2004	Chen	227/120	2001/0030218 A1	10/2001	Adachi et al.	227/120
6,726,080 B2	4/2004	Hamada	227/130	2002/0104866 A1	8/2002	Miller et al.	227/120
6,729,524 B1	5/2004	Yao	227/120	2002/0117532 A1	8/2002	Miller et al.	227/120
D491,035 S	6/2004	Buck	D8/68	2003/0218044 A1	11/2003	Laubach et al.	227/120
6,772,931 B2	8/2004	Miller et al.	227/120	2004/0011845 A1	1/2004	Walter	227/120
D497,091 S	10/2004	Leasure	D8/68	2004/0020966 A1	2/2004	Miller et al.	227/120
6,808,101 B2	10/2004	Laubach et al.	227/109	2005/0001007 A1	1/2005	Butzen et al.	227/130
6,824,036 B2	11/2004	Walter	227/120	2005/0023323 A1	2/2005	Jalbert et al.	227/120
D499,321 S	12/2004	Buck et al.	D8/68	2005/0092806 A1	5/2005	Miller et al.	227/8
D499,623 S	12/2004	Buck	D8/68	2005/0263560 A1	12/2005	Niblett et al.	227/120
D500,654 S	1/2005	Leasure et al.	D8/69	2006/0273132 A1 *	12/2006	Leasure et al.	227/120

* cited by examiner

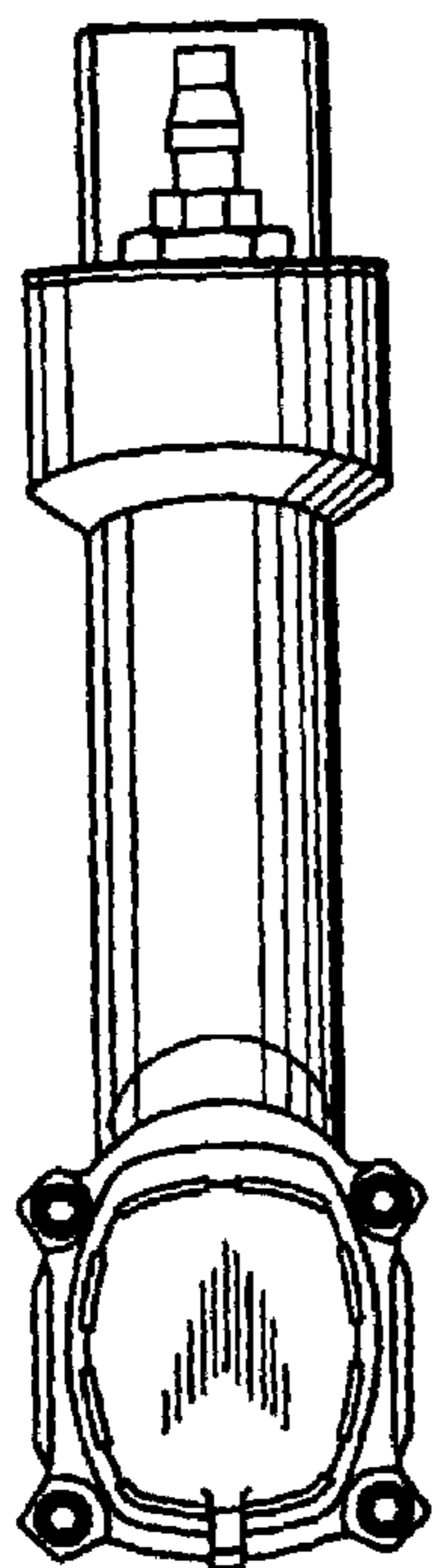


FIG. 1

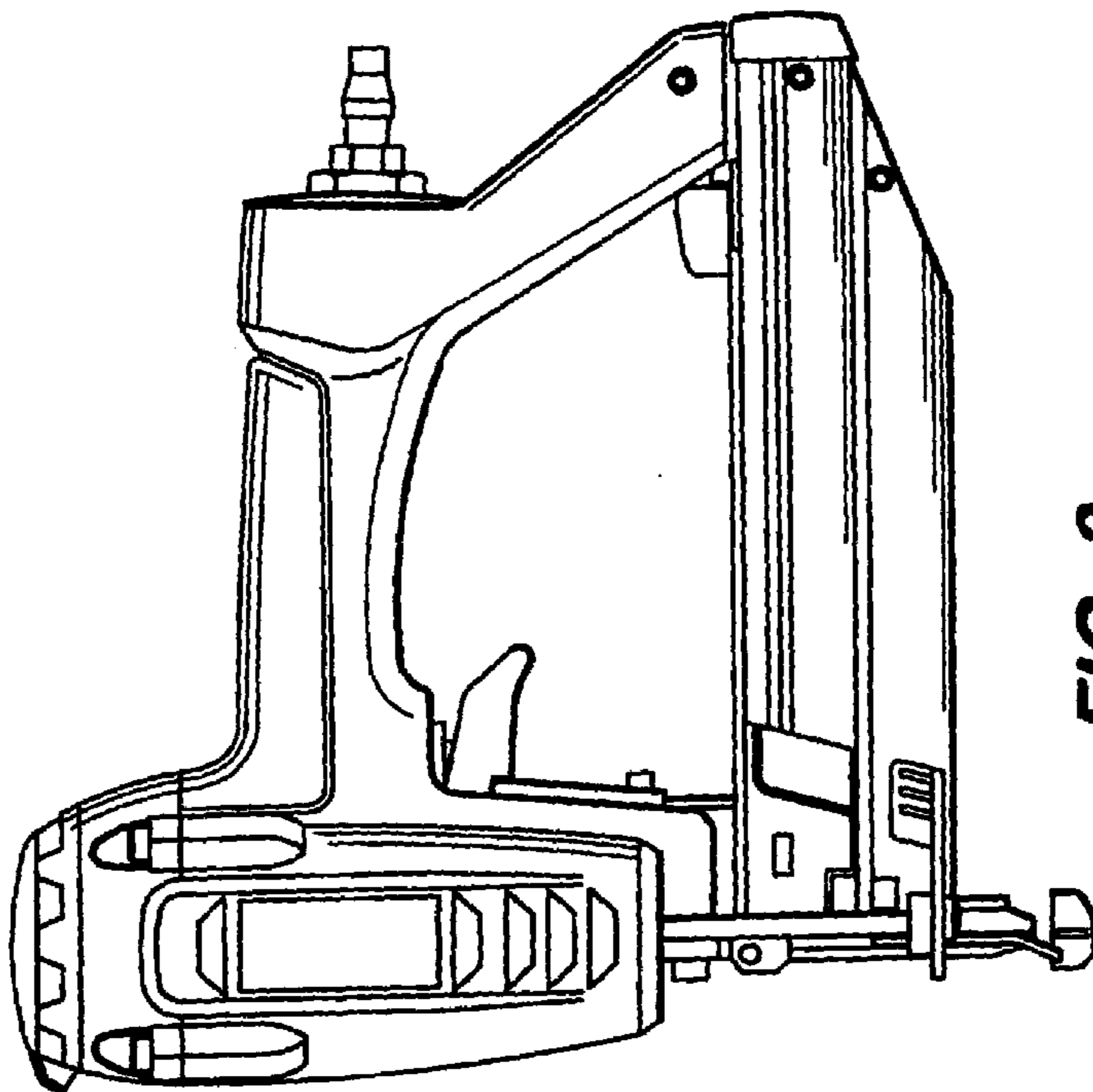


FIG. 3

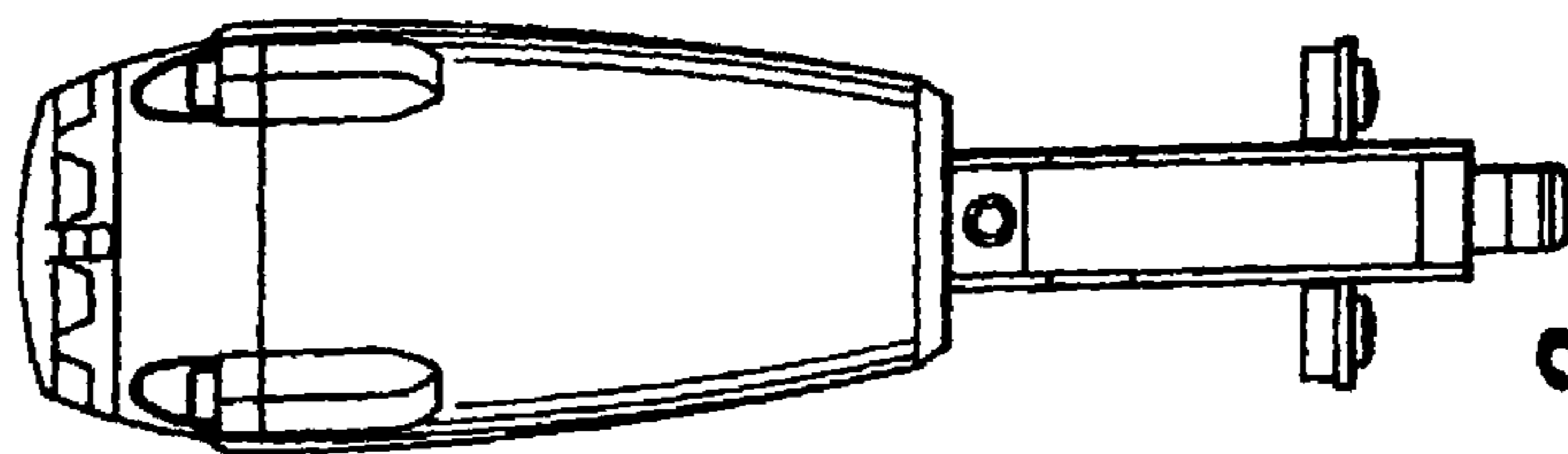


FIG. 2

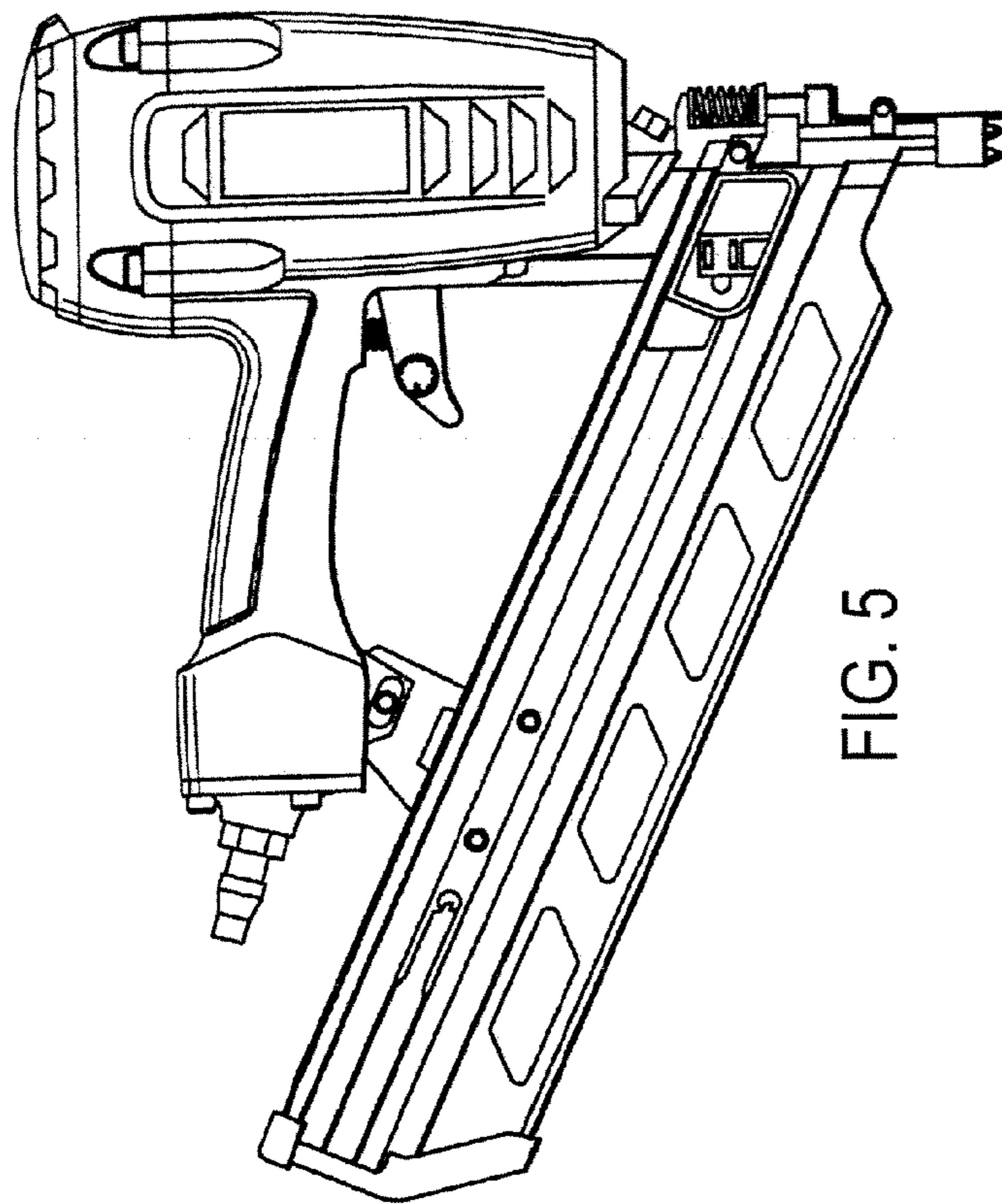


FIG. 5

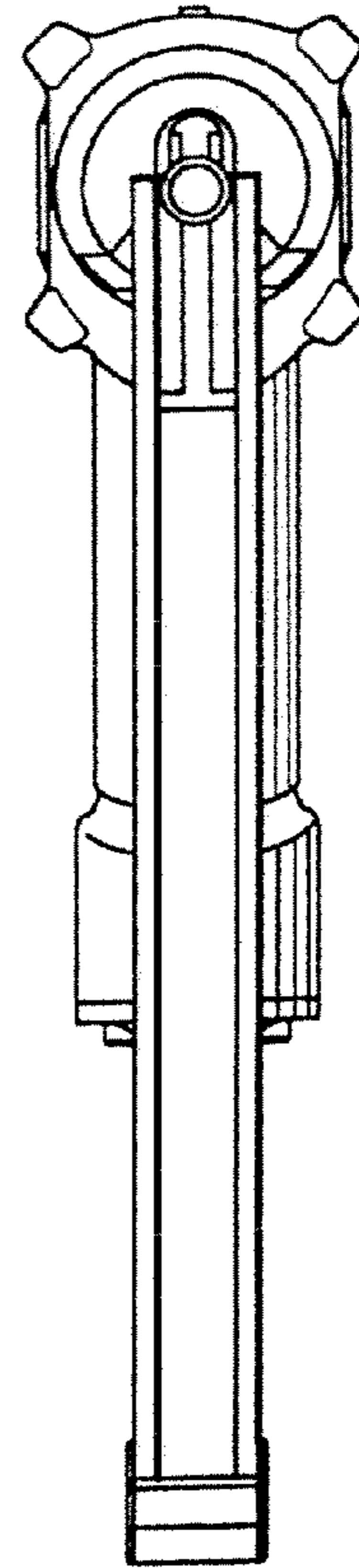


FIG. 6

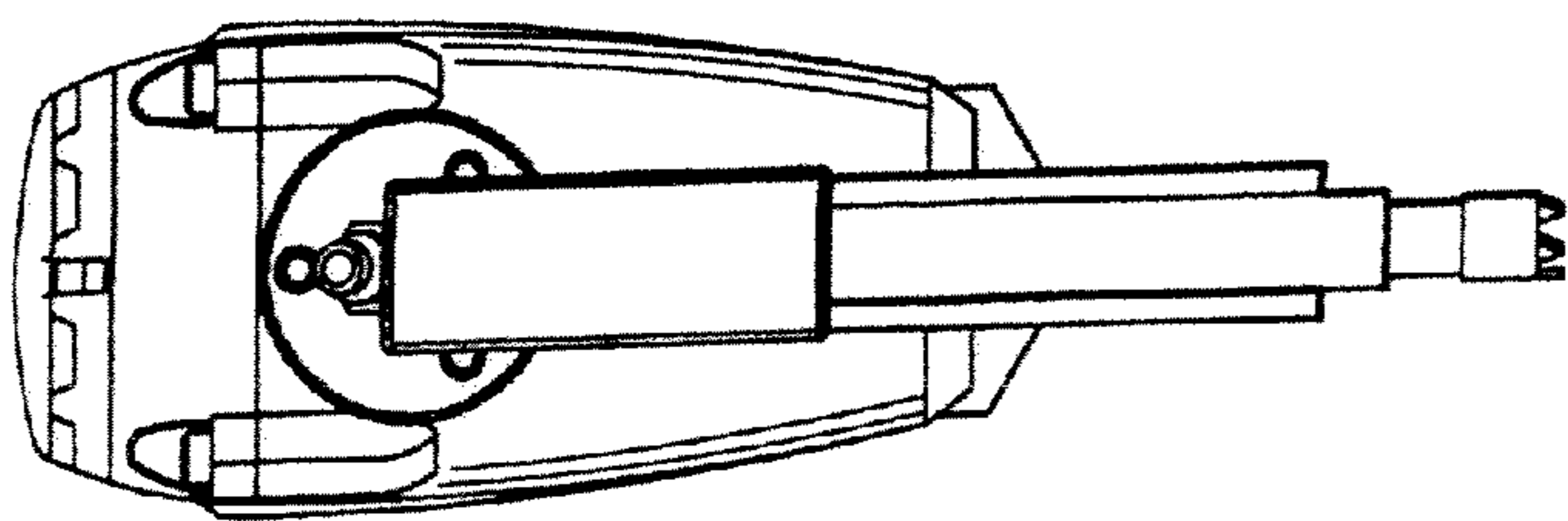


FIG. 4