



US00D572555S

(12) **United States Design Patent**
Baumgaertner

(10) **Patent No.:** **US D572,555 S**
(45) **Date of Patent:** **** Jul. 8, 2008**

(54) **JIG SAW**

(75) Inventor: **Klaus Baumgaertner**, Sindelfingen
(DE)

(73) Assignee: **Robert Bosch GmbH**, Stuttgart (DE)

(**) Term: **14 Years**

(21) Appl. No.: **29/267,882**

(22) Filed: **Oct. 24, 2006**

(30) **Foreign Application Priority Data**

Apr. 24, 2006 (EM) 000517263

(51) **LOC (8) Cl.** **08-03**

(52) **U.S. Cl.** **D8/64**

(58) **Field of Classification Search** D8/69,
D8/68, 67, 66, 64, 61; 83/747, 699.21; 310/50;
30/394, 393, 392, 391, 390, 377, 376; 173/217,
173/216

See application file for complete search history.

(56) **References Cited**

U.S. PATENT DOCUMENTS

D414,094 S * 9/1999 Heun D8/64
D463,963 S * 10/2002 Metaxatos et al. D8/64
D474,384 S * 5/2003 Andriolo D8/64
D476,871 S * 7/2003 Santarsiero et al. D8/64

D483,637 S * 12/2003 Tam et al. D8/64
D486,711 S * 2/2004 Tam et al. D8/64
D519,014 S * 4/2006 Aglassinger D8/64
D519,804 S * 5/2006 Wu D8/64
D520,318 S * 5/2006 Waldron D8/64
D521,834 S * 5/2006 Andriolo et al. D8/64
D532,664 S * 11/2006 Wu D8/64
D539,625 S * 4/2007 Waldron D8/64
2003/0167641 A1 * 9/2003 Teng 30/337

* cited by examiner

Primary Examiner—Cathron Brooks

Assistant Examiner—Austin Murphy

(74) *Attorney, Agent, or Firm*—Michael J. Striker

(57) **CLAIM**

The ornamental design for a jig saw, as shown and described.

DESCRIPTION

FIG. 1 is a front perspective view of a jig saw showing my new design;

FIG. 2 is a side view thereof;

FIG. 3 is the opposite side view of FIG. 2 thereof;

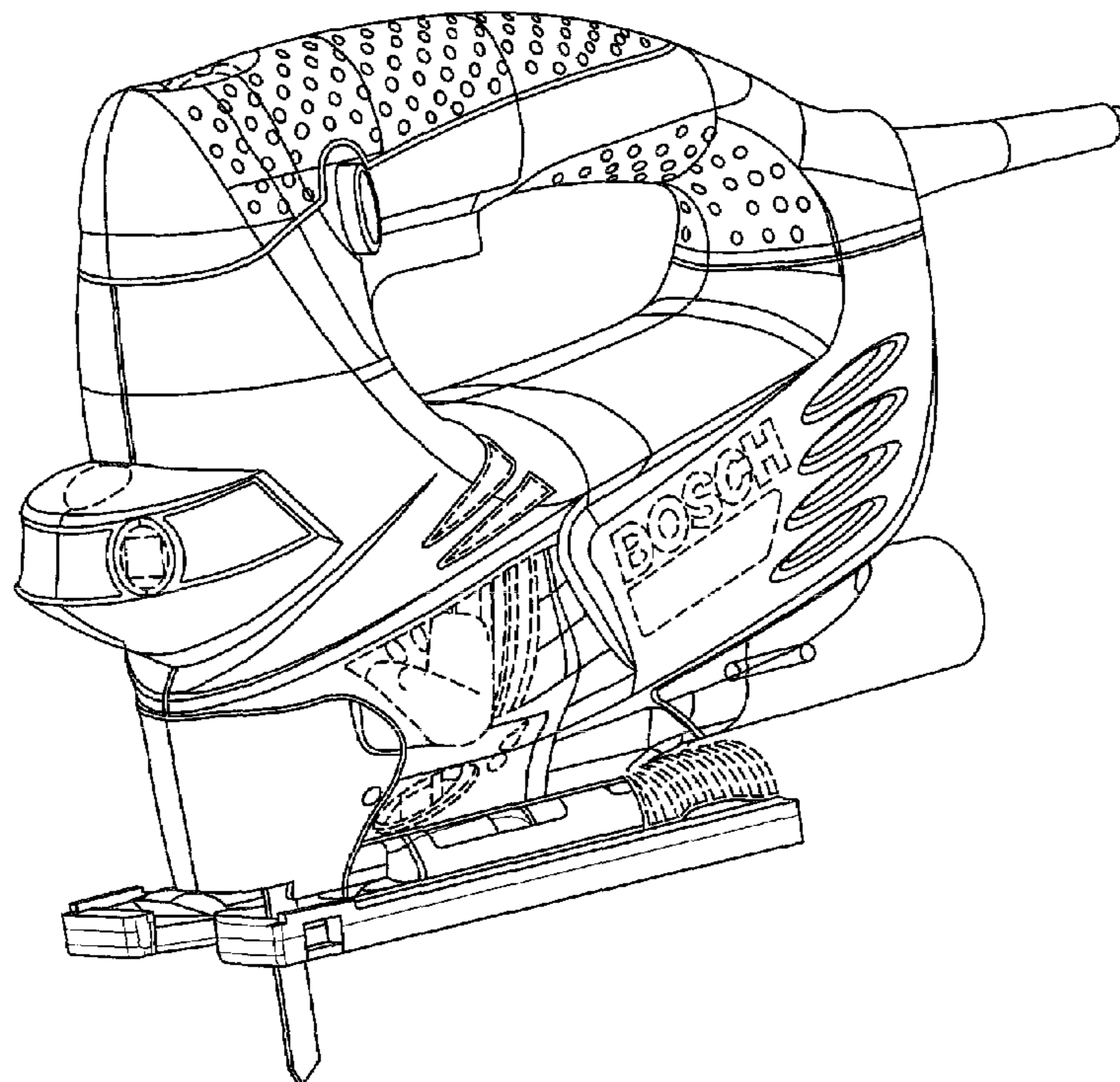
FIG. 4 is a top view thereof;

FIG. 5 is a bottom view thereof;

FIG. 6 is a front view thereof; and,

FIG. 7 is a rear view thereof.

1 Claim, 7 Drawing Sheets



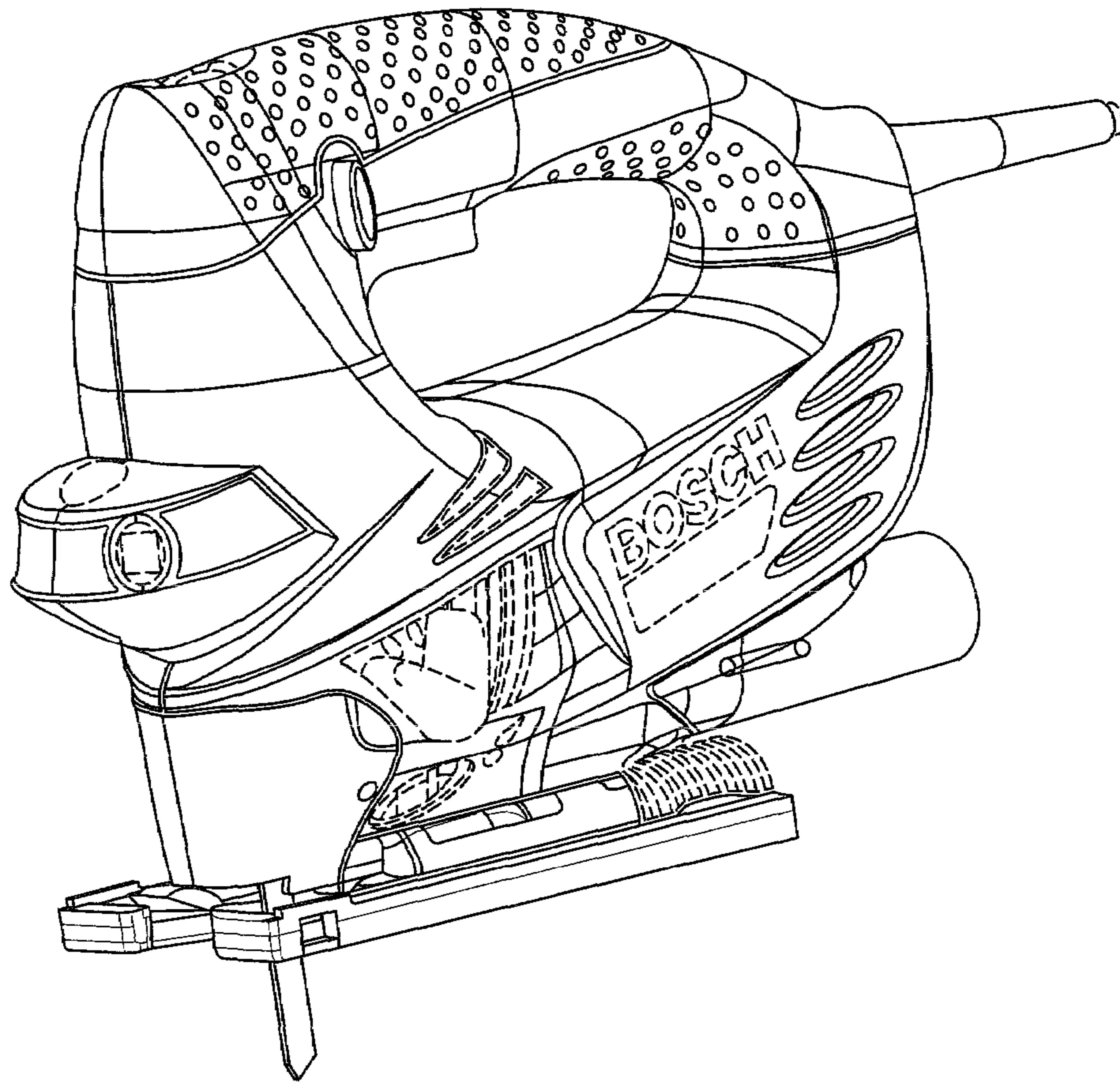


FIG. 1

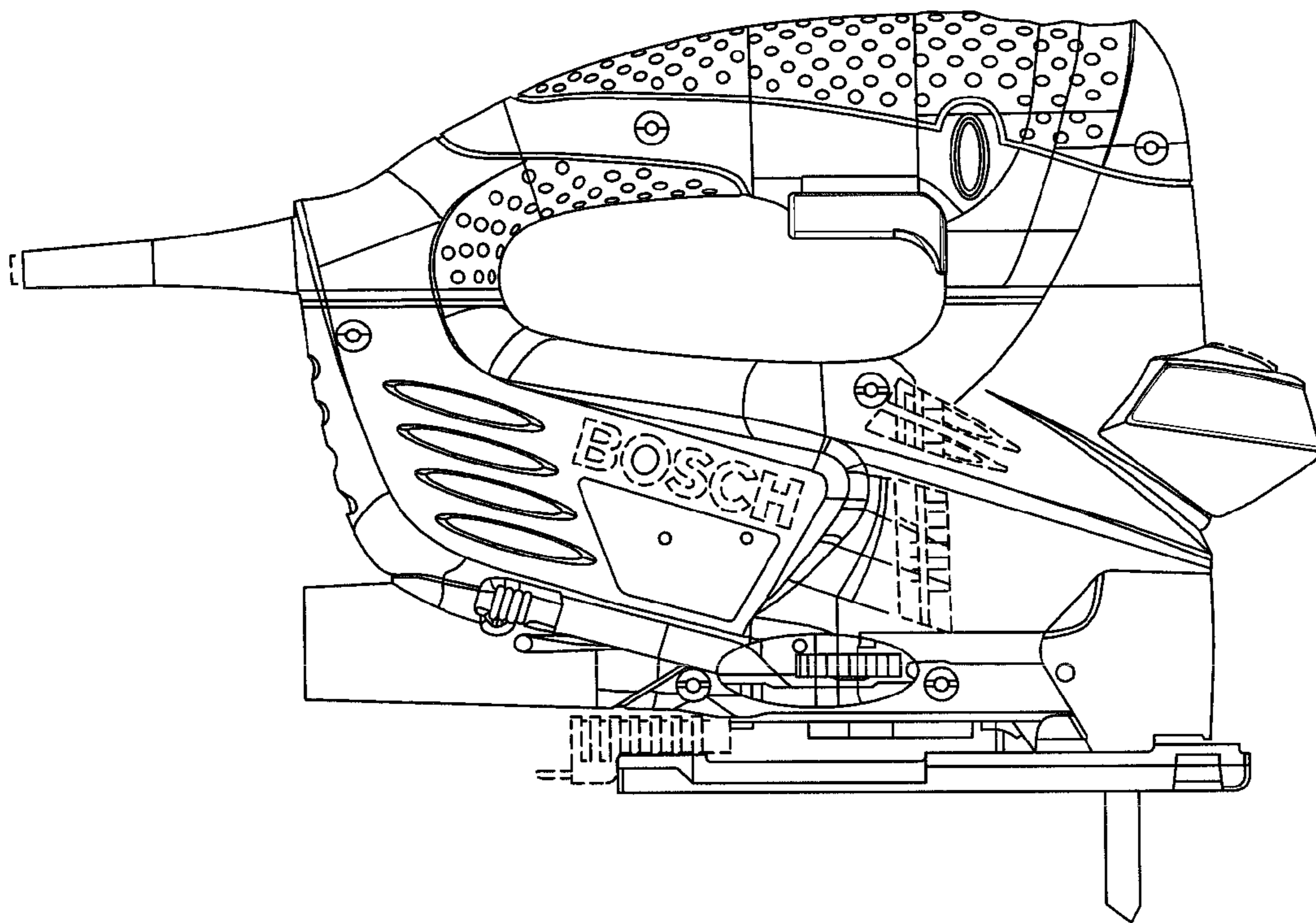


FIG.2

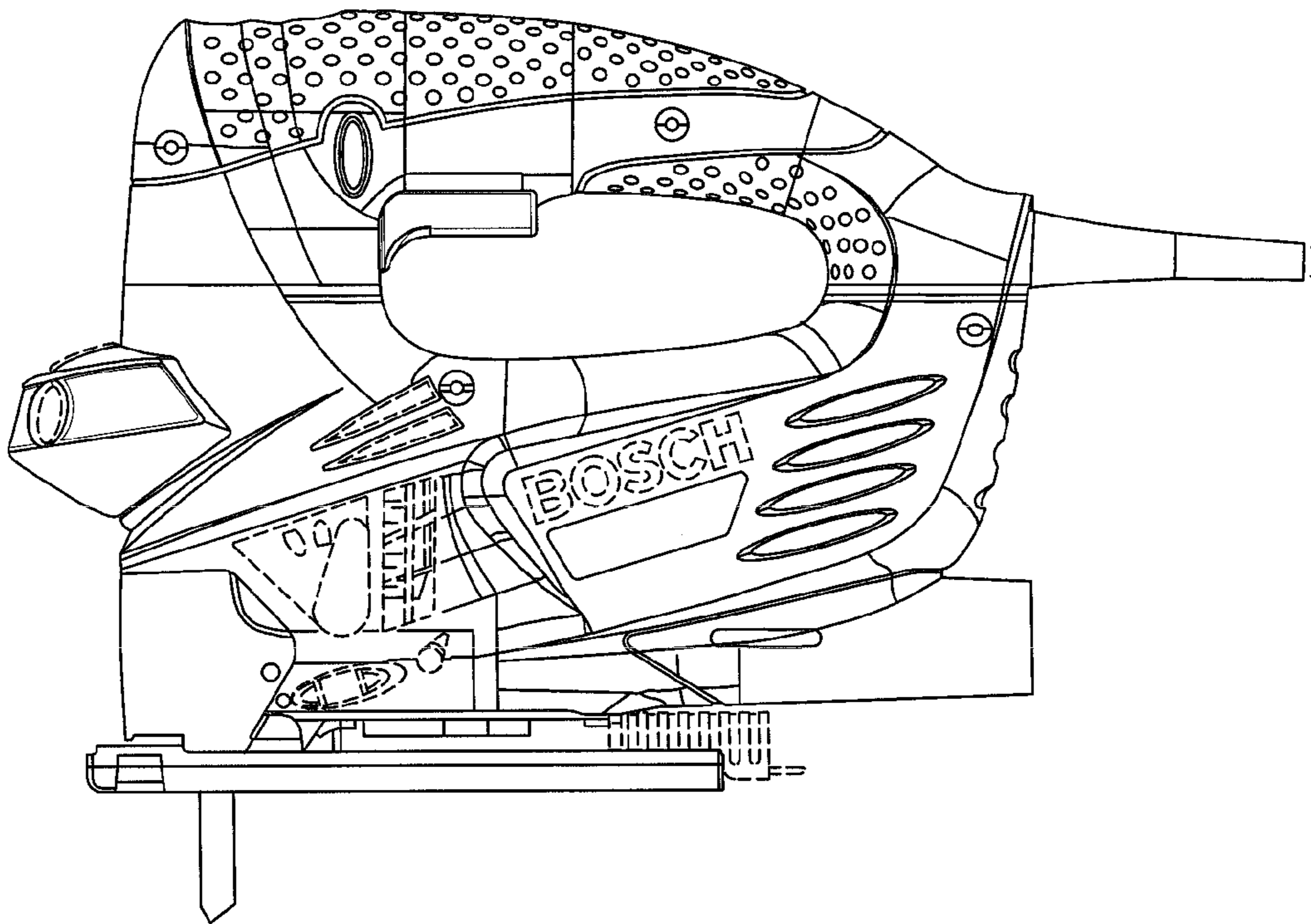


FIG. 3

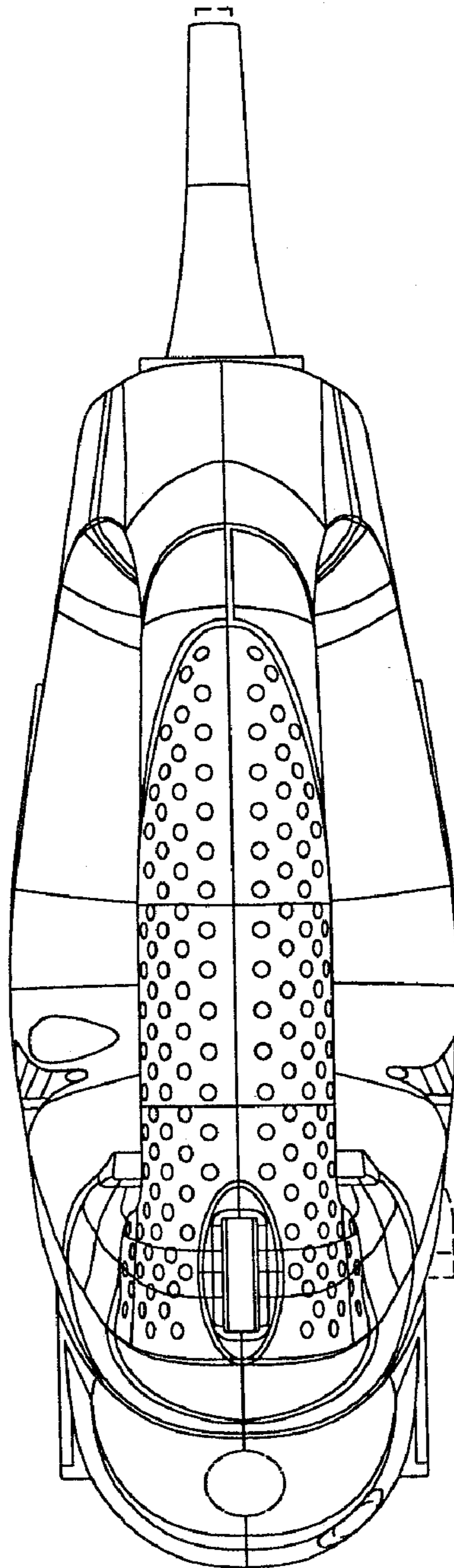


FIG. 4

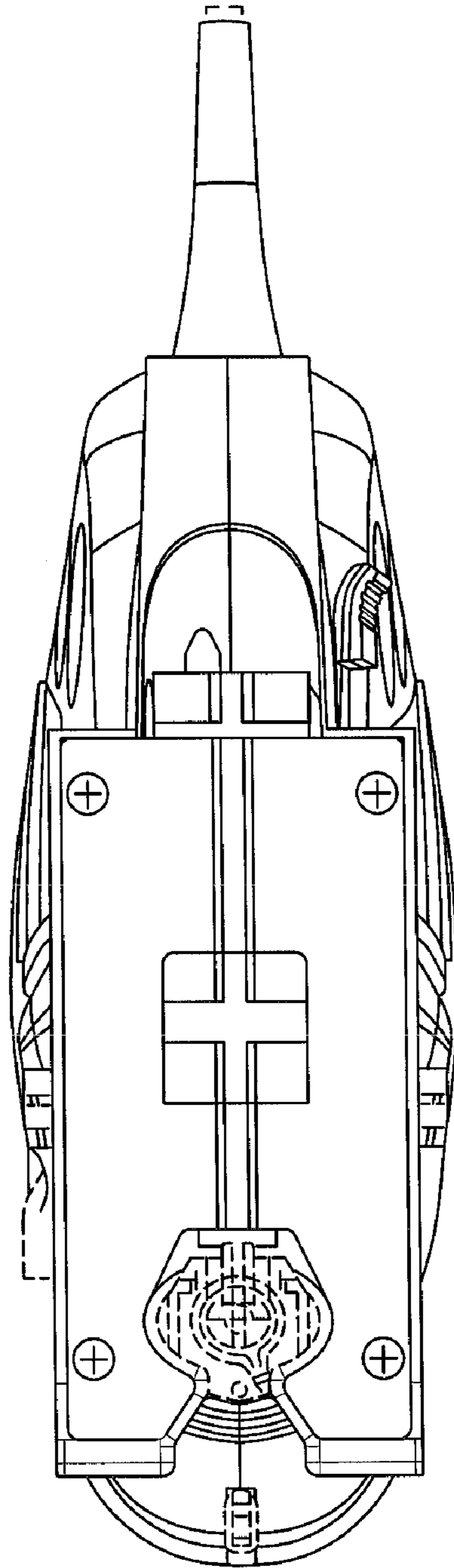


FIG. 5

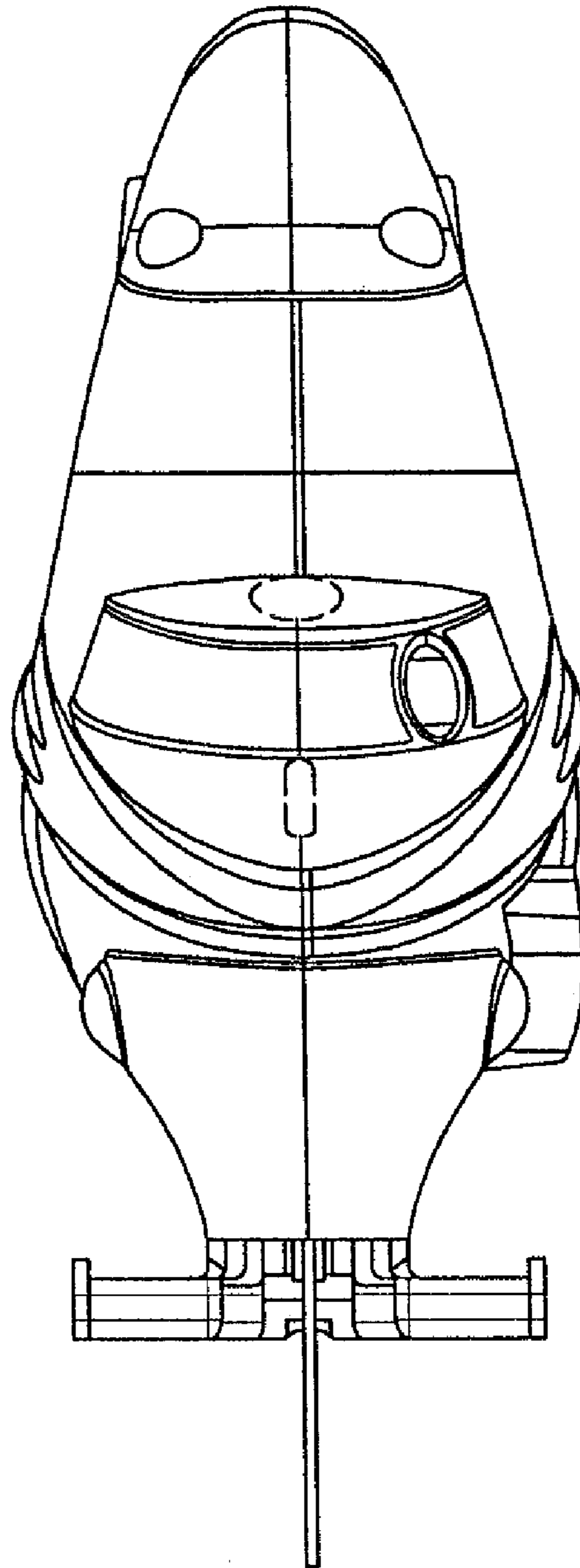


FIG. 6

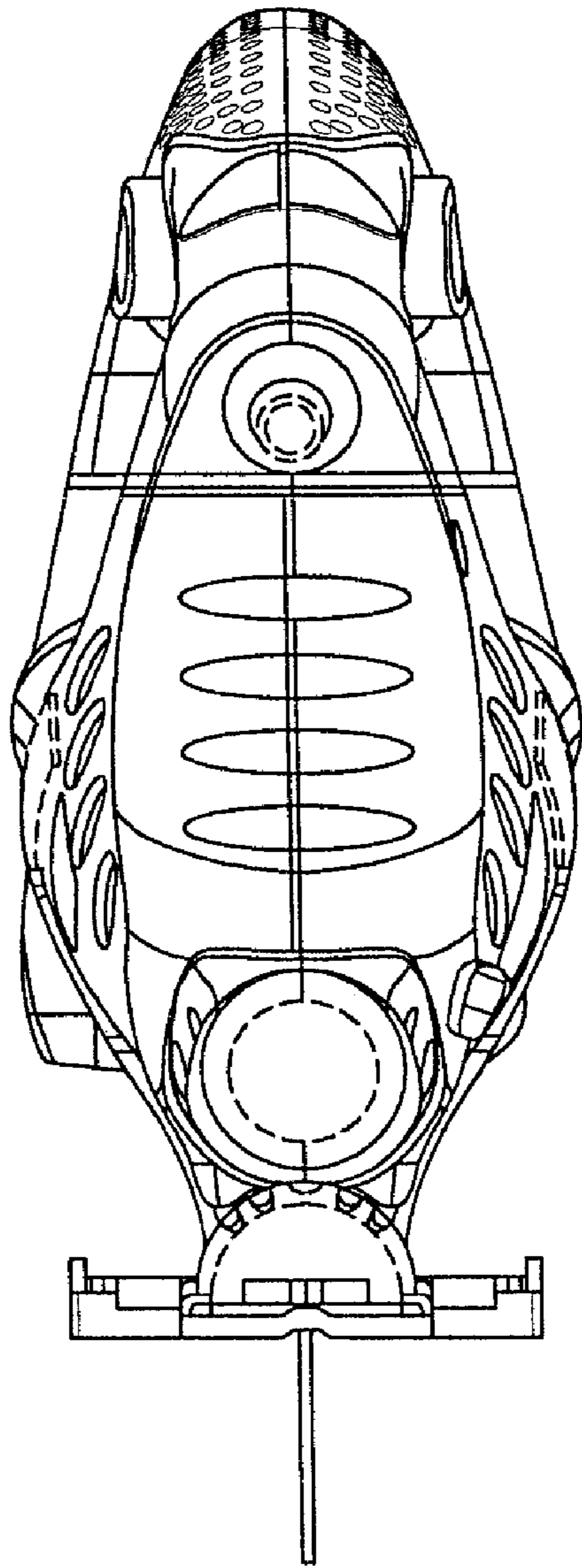


FIG. 7