



US00D572549S

(12) **United States Design Patent**
Sudmalis et al.

(10) **Patent No.:** **US D572,549 S**
(45) **Date of Patent:** **** Jul. 8, 2008**

(54) **STAPLER**

D446,430 S 8/2001 Arns

(Continued)

(75) Inventors: **Roland Sudmalis**, Chicago, IL (US);
Mark Harris, McHenry, IL (US); **Balaji Kandasamy**, Naperville, IL (US); **Tong Jin Kim**, Evanston, IL (US)

(73) Assignee: **ACCO Brands USA LLC**, Lincolnshire, IL (US)

(**) Term: **14 Years**

(21) Appl. No.: **29/248,153**

(22) Filed: **Jul. 31, 2006**

(51) **LOC (8) Cl.** **19-02**

(52) **U.S. Cl.** **D8/50**

(58) **Field of Classification Search** D8/49,
D8/50, 61, 68, 69; D19/72, 73, 65, 69; D21/532;
D24/145; 7/158, 160; 227/4, 5, 6, 7, 8, 120,
227/127, 128, 131, 132, 134, 144, 156, 175.1;
606/139, 143, 153, 219

See application file for complete search history.

(56) **References Cited**

U.S. PATENT DOCUMENTS

3,036,306	A *	5/1962	Clay	74/526
D193,371	S *	8/1962	Mueller	D8/50
D292,962	S *	12/1987	Leszczak	D8/50
D305,398	S	1/1990	Olesen	
D330,317	S *	10/1992	Jacobson et al.	D8/50
D330,666	S *	11/1992	Chan	D8/50
D331,178	S	11/1992	Bain et al.	
D340,847	S	11/1993	Bain et al.	
D394,591	S *	5/1998	Jacquet	D8/50
D420,266	S	2/2000	Berry et al.	
D436,009	S	1/2001	Chi Kuo	

OTHER PUBLICATIONS

Acco Brands, Inc., Fact Book 2005, Feb. 1, 2005, pp. 106-112.
Novus website, http://www.novus-buero.de/Novus_B_7.101.0html?&L=1&print=1&no_cache=1, accessed Jul. 10, 2006, 2 pages.

Primary Examiner—Cathron Brooks

Assistant Examiner—Austin Murphy

(74) *Attorney, Agent, or Firm*—Michael Best & Friedrich LLP

(57) **CLAIM**

We claim the ornamental design for a stapler, as shown and described.

DESCRIPTION

FIG. 1 is a right-side perspective view, taken from the front, of a stapler embodying the present invention.

FIG. 2 is a left-side perspective view taken from the front of the stapler.

FIG. 3 is a right-side perspective view taken from the rear of the stapler.

FIG. 4 is a right side view of the stapler.

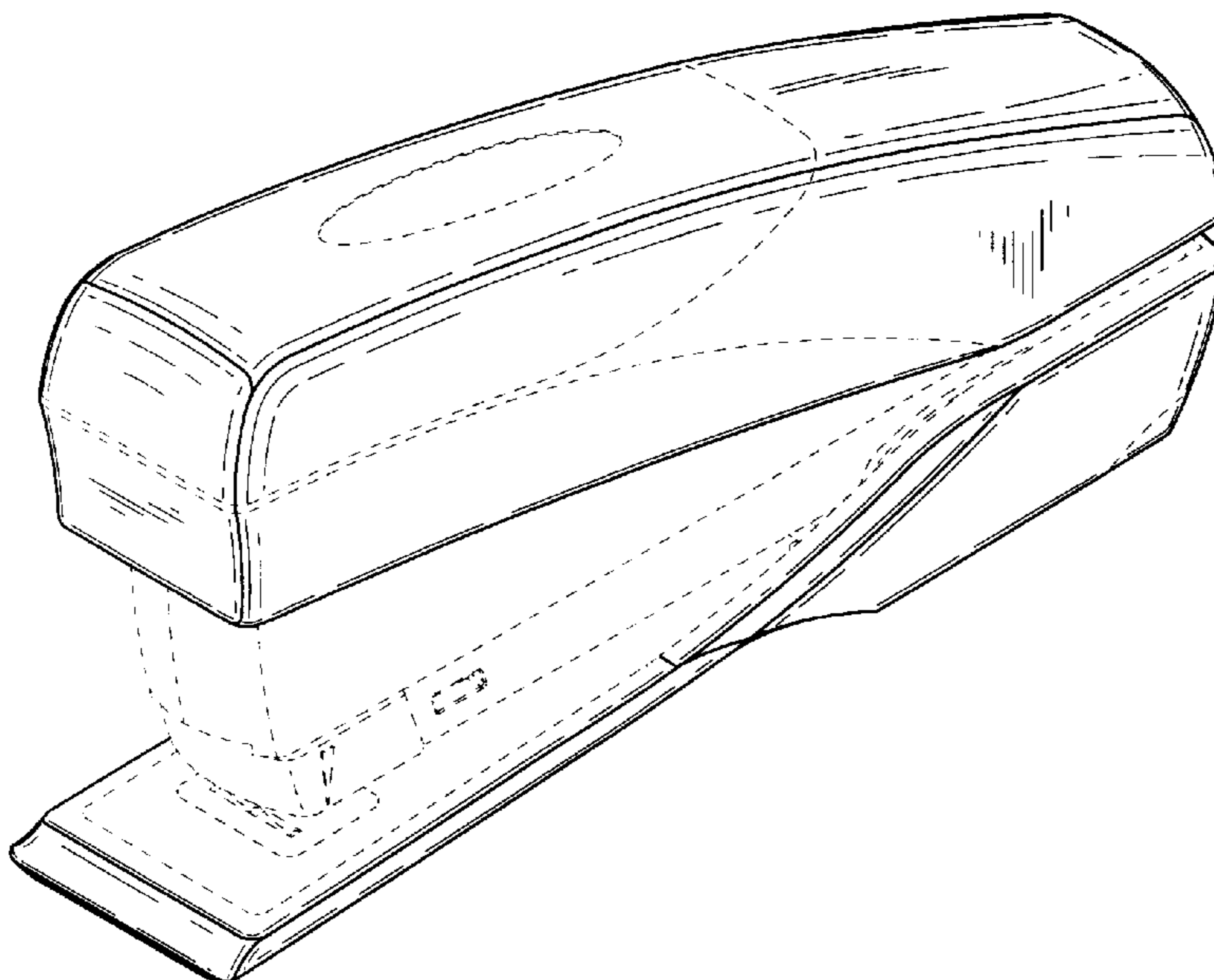
FIG. 5 is a rear view of the stapler.

FIG. 6 is a top view of the stapler; and,

FIG. 7 is a front view of the stapler.

The portions of the stapler shown in broken lines are for illustrative purposes only and form no part of the claimed design. The side view opposite FIG. 4 is a mirror image of FIG. 4 and is not shown.

1 Claim, 4 Drawing Sheets



US D572,549 S

Page 2

U.S. PATENT DOCUMENTS

D447,676 S	9/2001	Wilson et al.	D514,904 S	2/2006	Sauter et al.
D470,025 S	2/2003	Joss et al.	D515,893 S	2/2006	Adams et al.
D479,678 S	9/2003	Huang	D517,883 S	3/2006	Tsai
D502,369 S	3/2005	Nakamura	D530,578 S	10/2006	Sauter et al.
D502,850 S	3/2005	Sauter et al.	D530,999 S	10/2006	Kent et al.
D502,851 S	3/2005	Sauter et al.	D531,470 S	11/2006	Kirby et al.
D503,877 S	4/2005	Adams et al.	D554,456 S	11/2007	Chang
6,918,525 B2	7/2005	Marks	D557,092 S	12/2007	Harris et al.
D511,283 S	11/2005	Sauter et al.	2005/0223498 A1	10/2005	Kirby et al.
D511,665 S	11/2005	Sauter et al.	2006/0016847 A1	1/2006	Kirby et al.
D512,617 S	12/2005	Adams et al.	2006/0144895 A1	7/2006	Kirby et al.

* cited by examiner

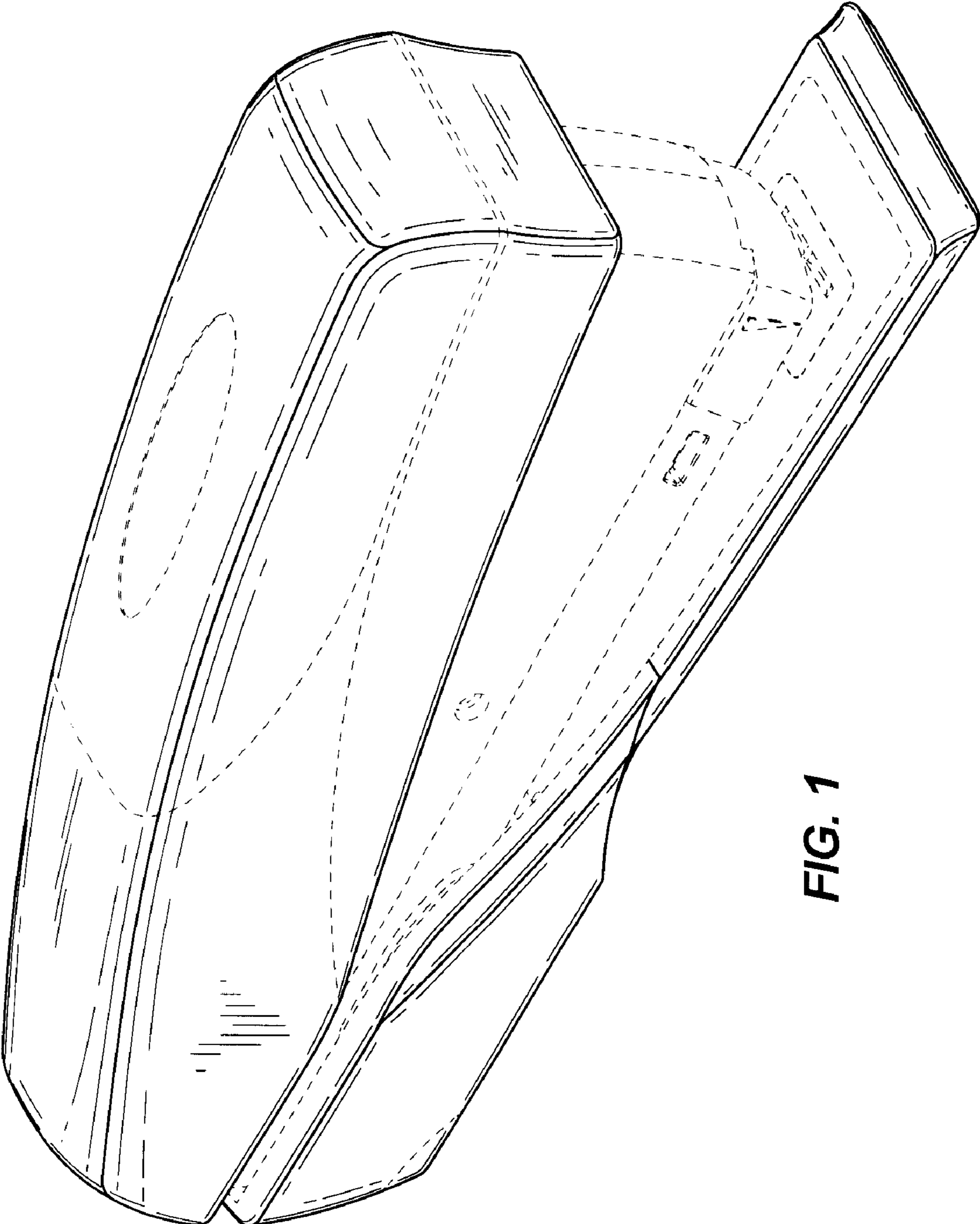


FIG. 1

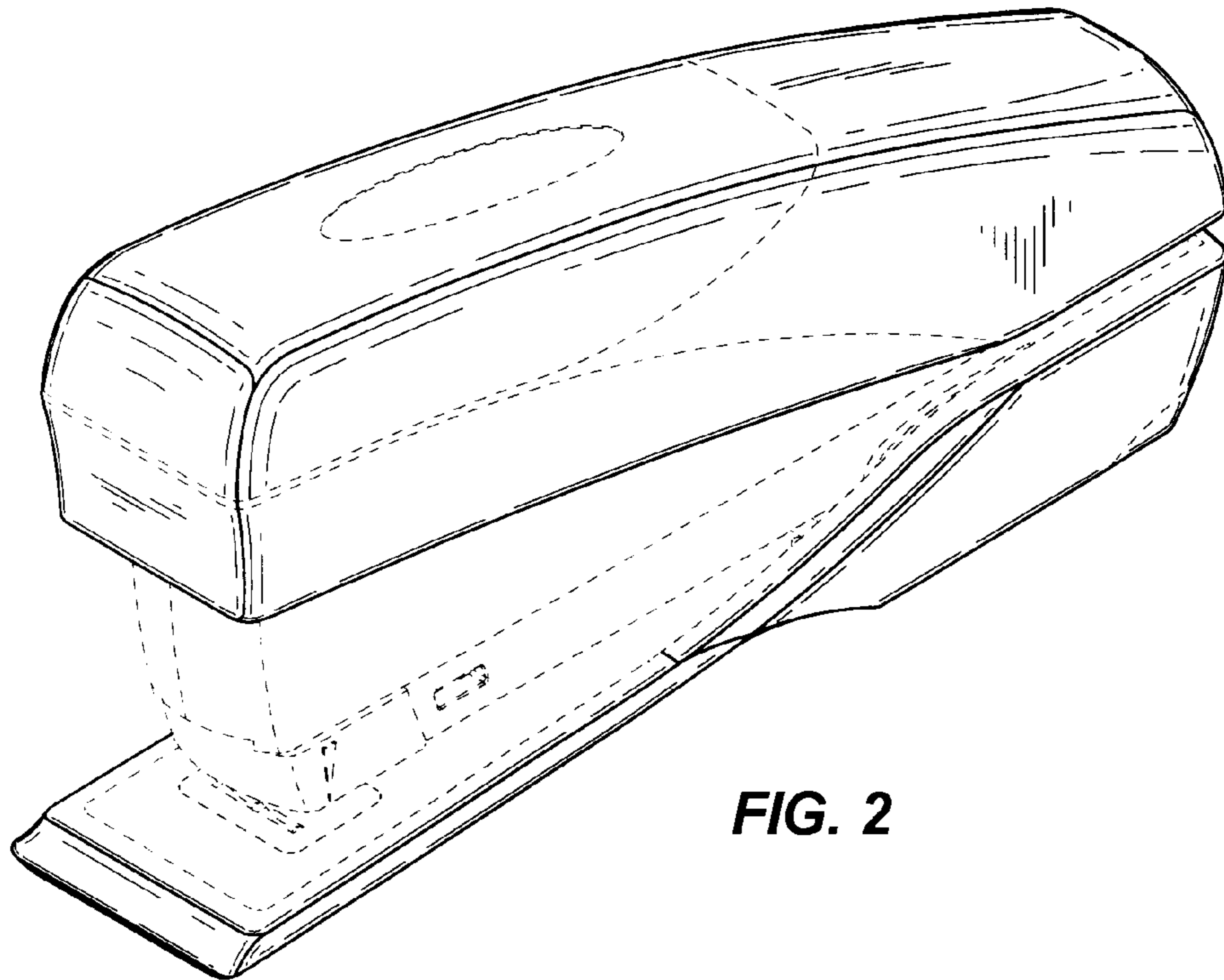


FIG. 2

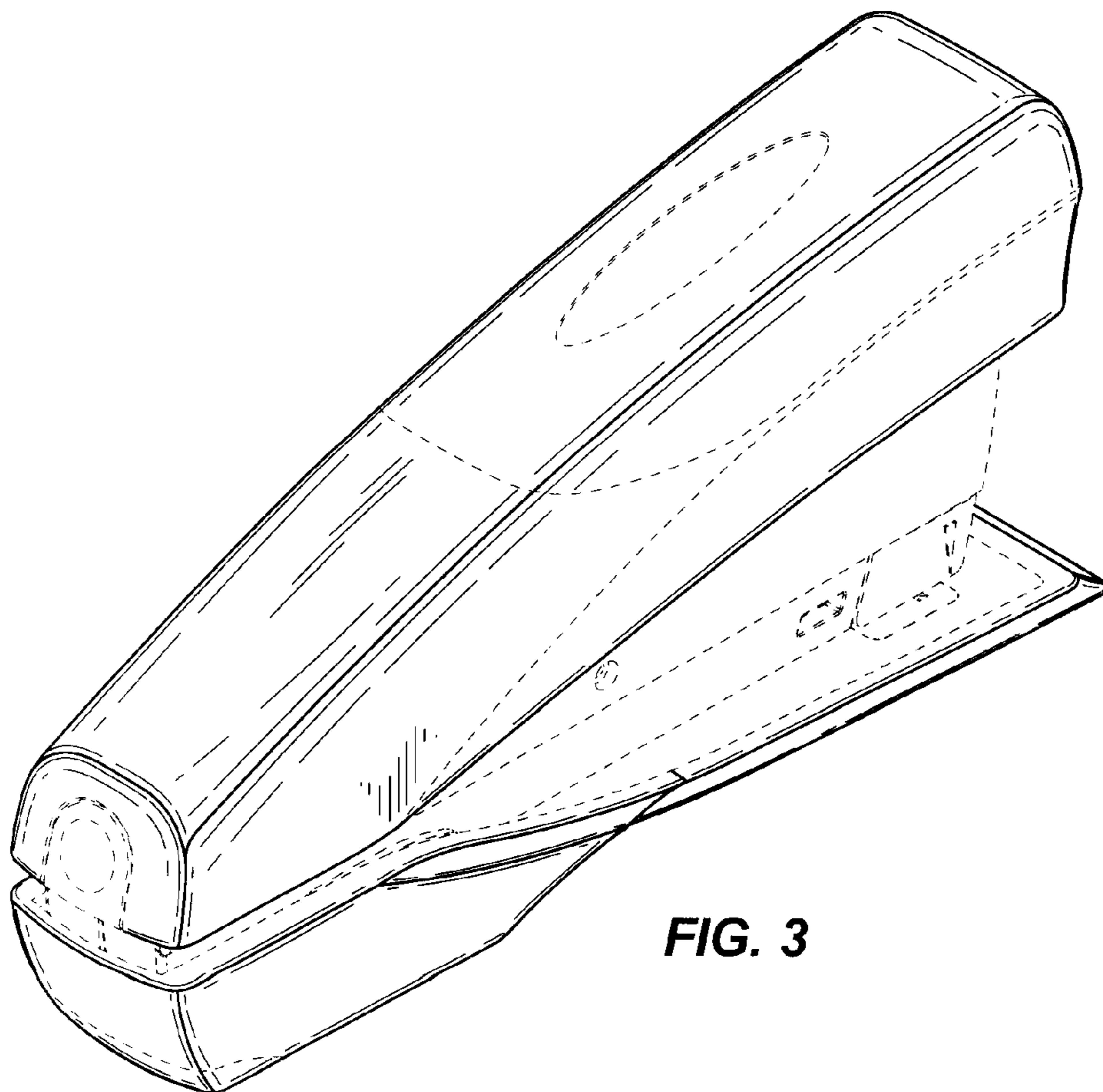


FIG. 3

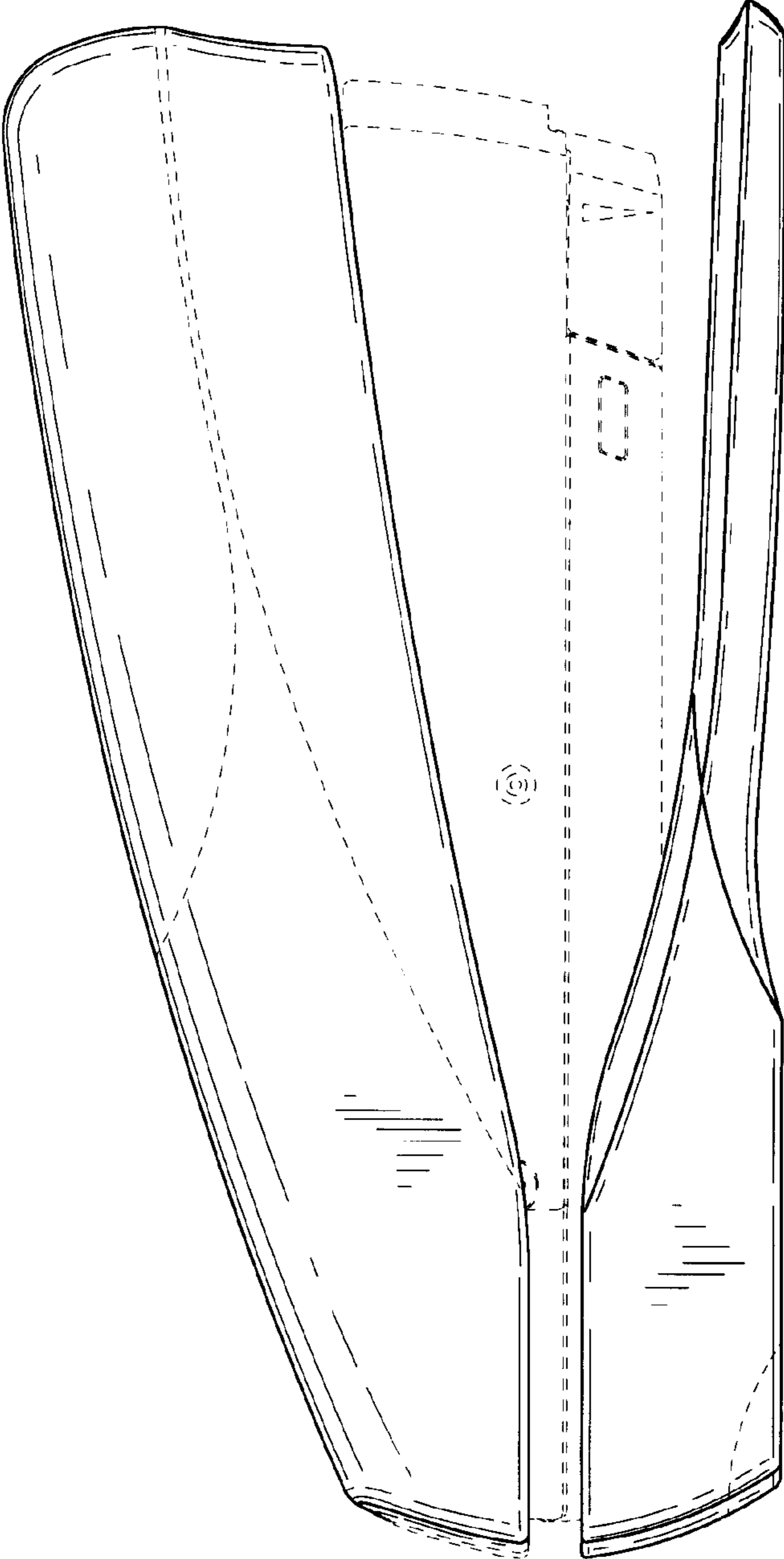


FIG. 4

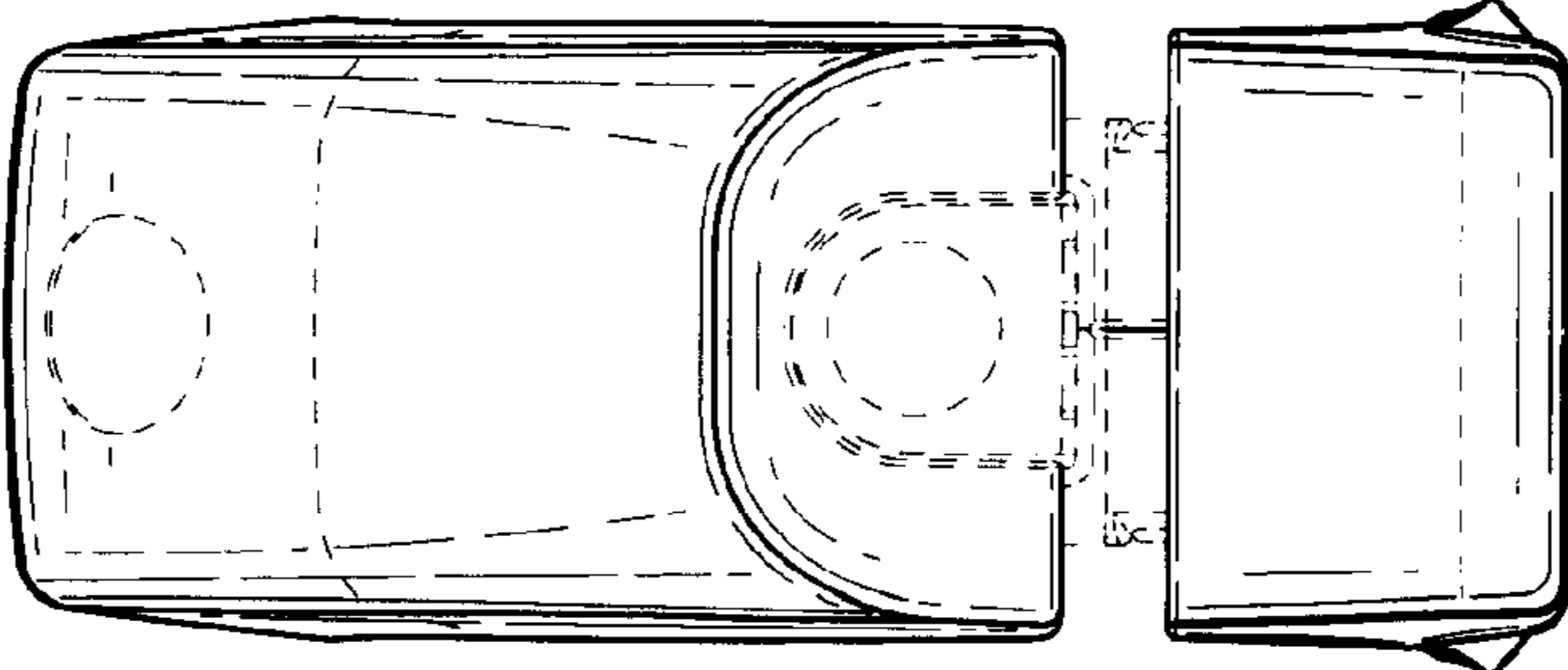


FIG. 5

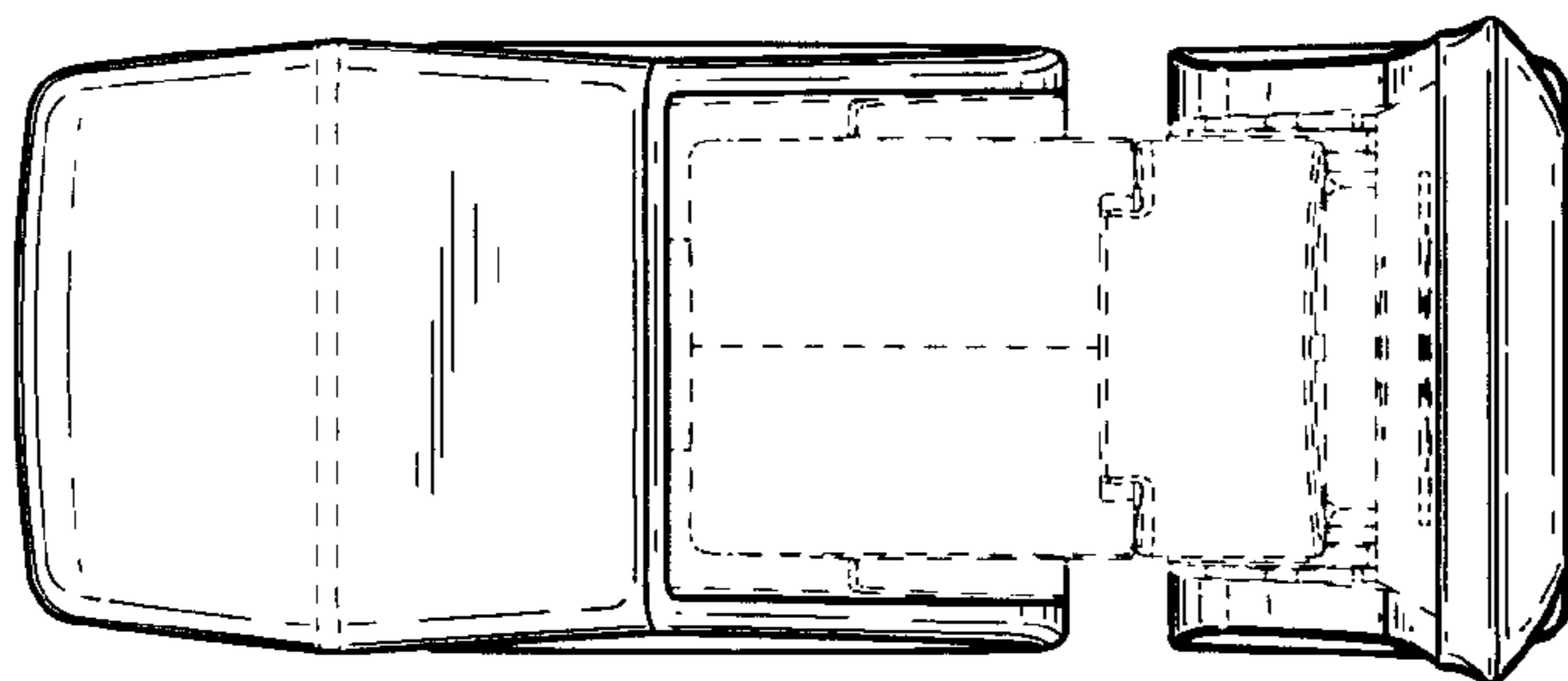


FIG. 7

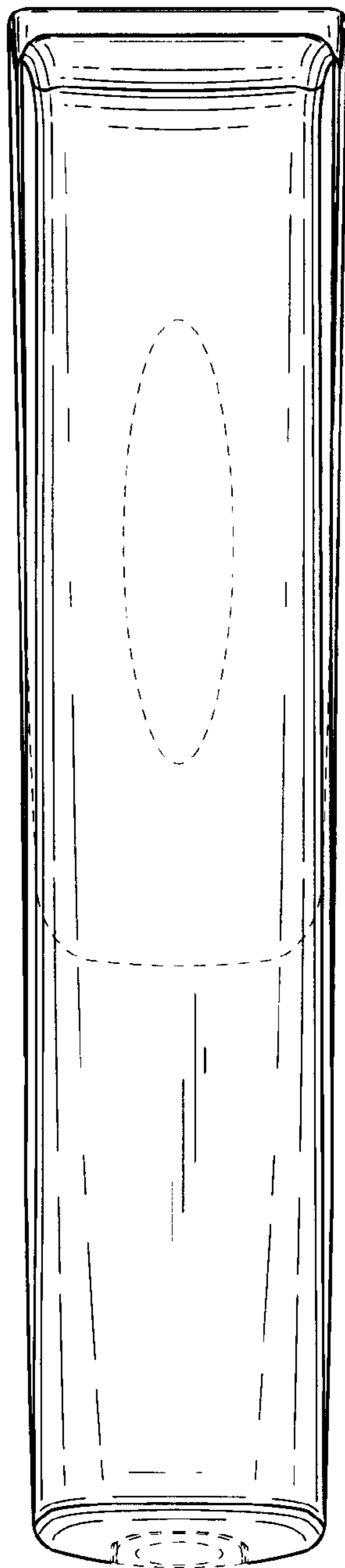


FIG. 6