



US00D572547S

(12) **United States Design Patent**  
**Buermann**

(10) **Patent No.:** **US D572,547 S**  
(45) **Date of Patent:** **\*\* Jul. 8, 2008**

(54) **SEAL RETAINER APPLICATION TOOL**

5,898,985 A \* 5/1999 Villarreal ..... 29/257  
6,748,637 B2 \* 6/2004 Meggiolan ..... 29/257  
D544,771 S \* 6/2007 Duffy ..... D8/59

(76) Inventor: **Henry Buermann**, 275 Woods Rd.,  
Brookfield, VT (US) 05036

\* cited by examiner

(\*\*) Term: **14 Years**

*Primary Examiner*—Philip S Hyder  
(74) *Attorney, Agent, or Firm*—Kevin Ellicott, Esq.

(21) Appl. No.: **29/285,736**

(22) Filed: **Apr. 9, 2007**

(57) **CLAIM**

(51) **LOC (8) Cl.** ..... **08-05**

The ornamental design for a seal retainer application tool, as shown.

(52) **U.S. Cl.** ..... **D8/14**

(58) **Field of Classification Search** ..... D8/14,  
D8/51, 59, 72, 73; 29/257, 258, 259; 72/454;  
269/249

**DESCRIPTION**

See application file for complete search history.

FIG. 1 is a perspective view showing the top and side of my seal retainer application tool design.

FIG. 2 is a front elevational view of thereof.

FIG. 3 is a rear elevational view thereof.

FIG. 4 is a top view thereof.

FIG. 5 is a bottom view thereof; and,

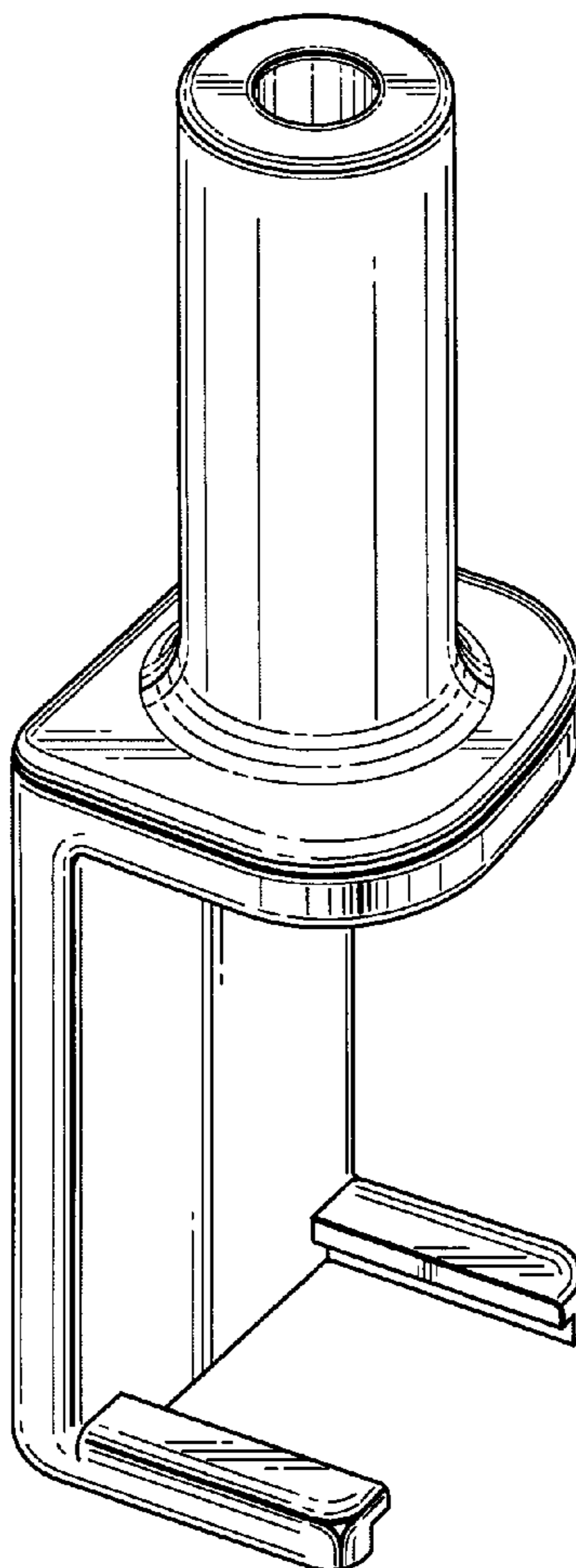
FIG. 6 is a side elevational view thereof.

(56) **References Cited**

**U.S. PATENT DOCUMENTS**

2,549,429 A \* 4/1951 Cowles ..... 29/257  
4,502,197 A \* 3/1985 Harder ..... 29/259  
D296,515 S \* 7/1988 Cors ..... D8/59  
5,148,590 A \* 9/1992 Wu ..... 29/257  
5,586,378 A \* 12/1996 Smith ..... 29/257

**1 Claim, 3 Drawing Sheets**



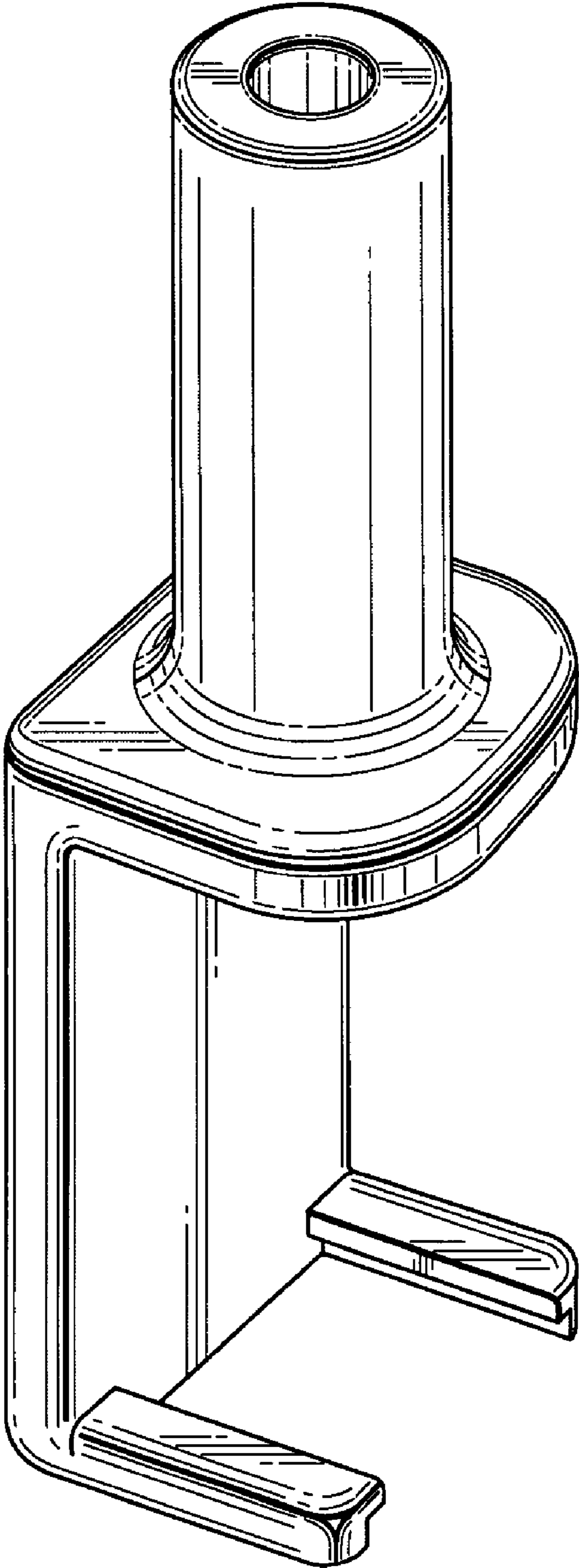


FIG. 1

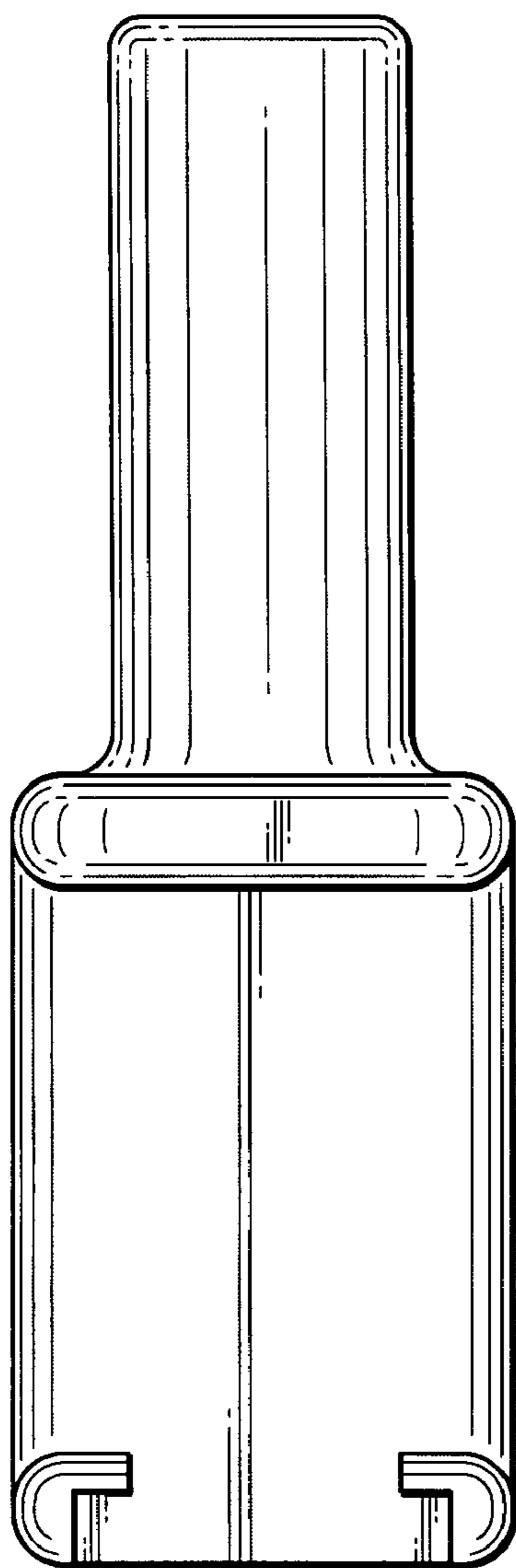


FIG. 2

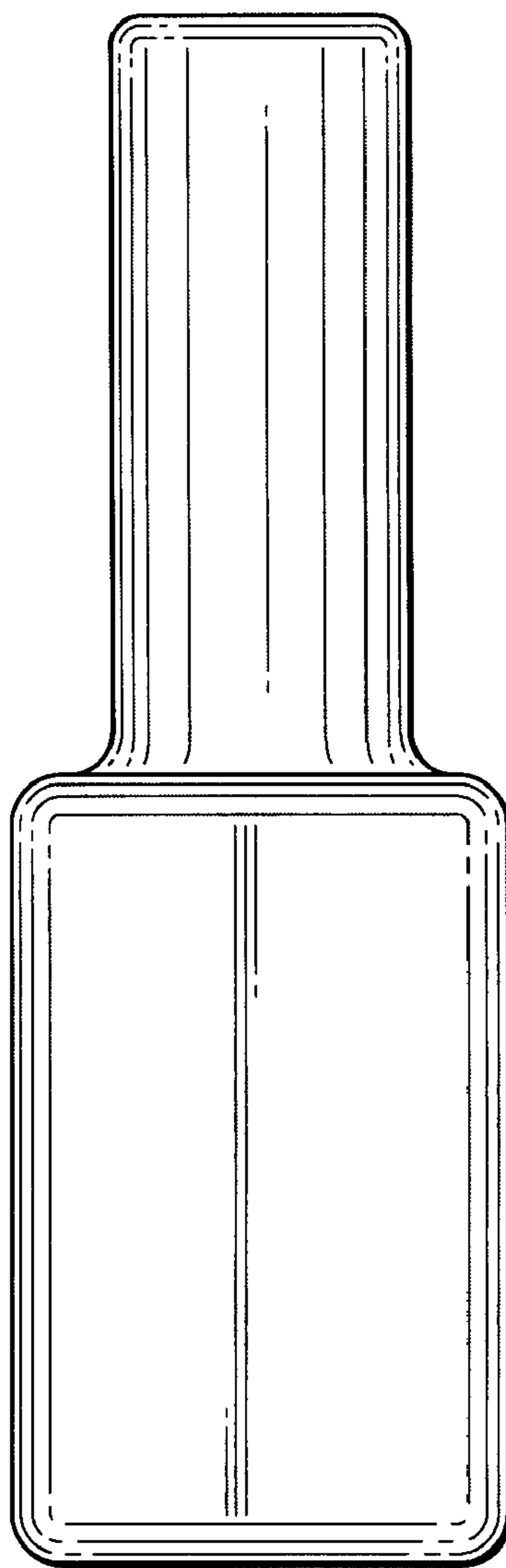


FIG. 3

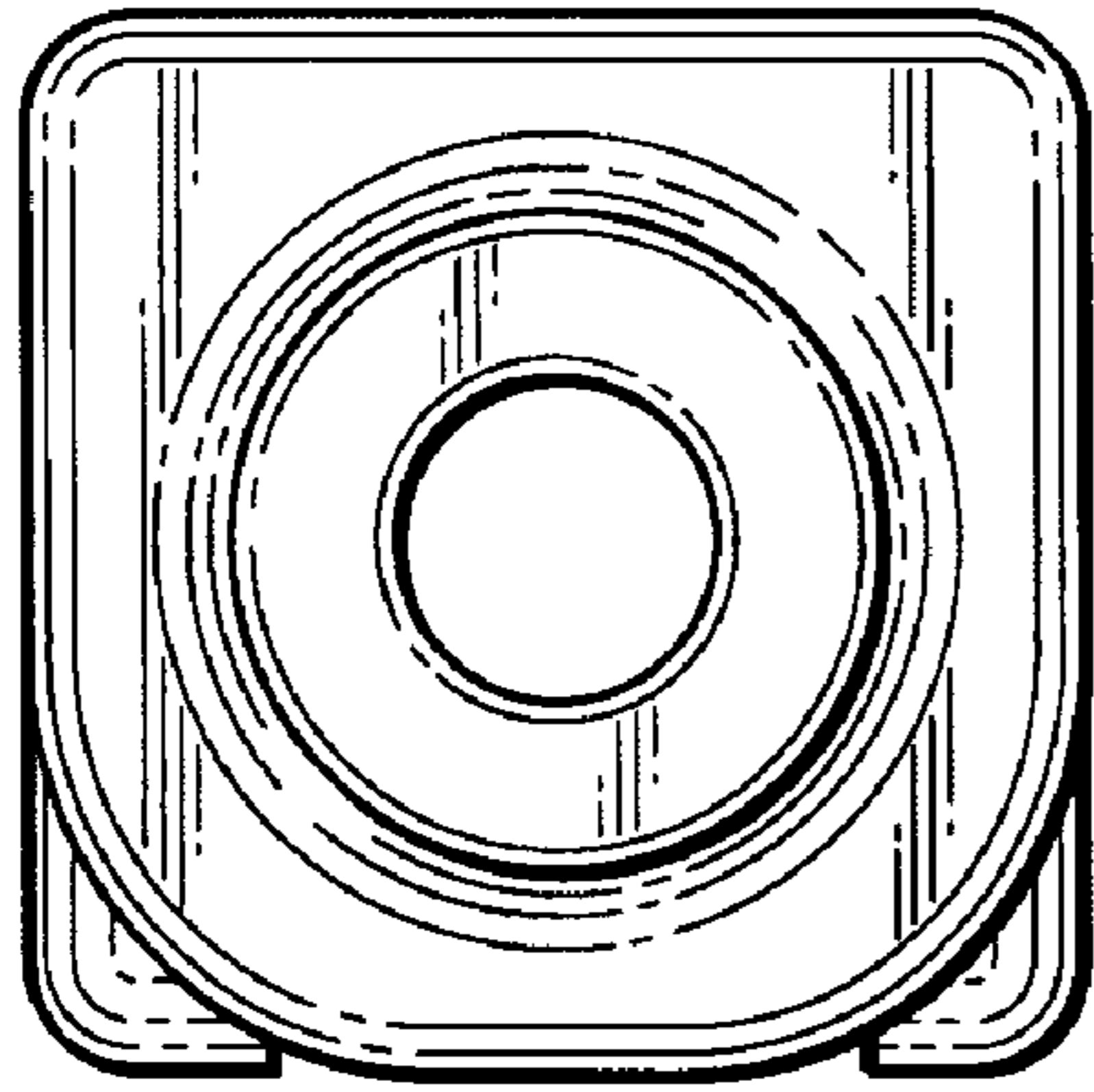


FIG. 4

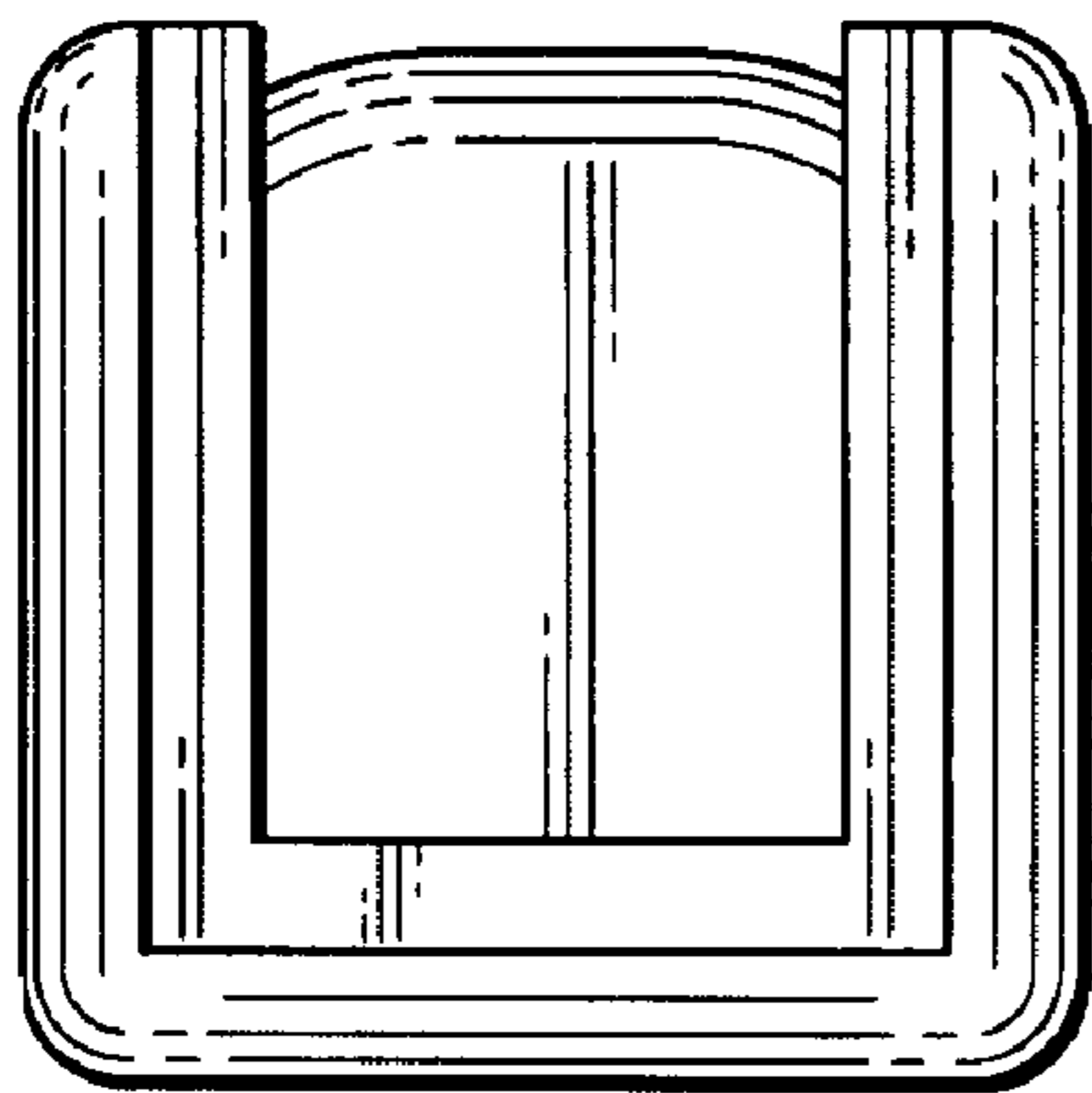


FIG. 5

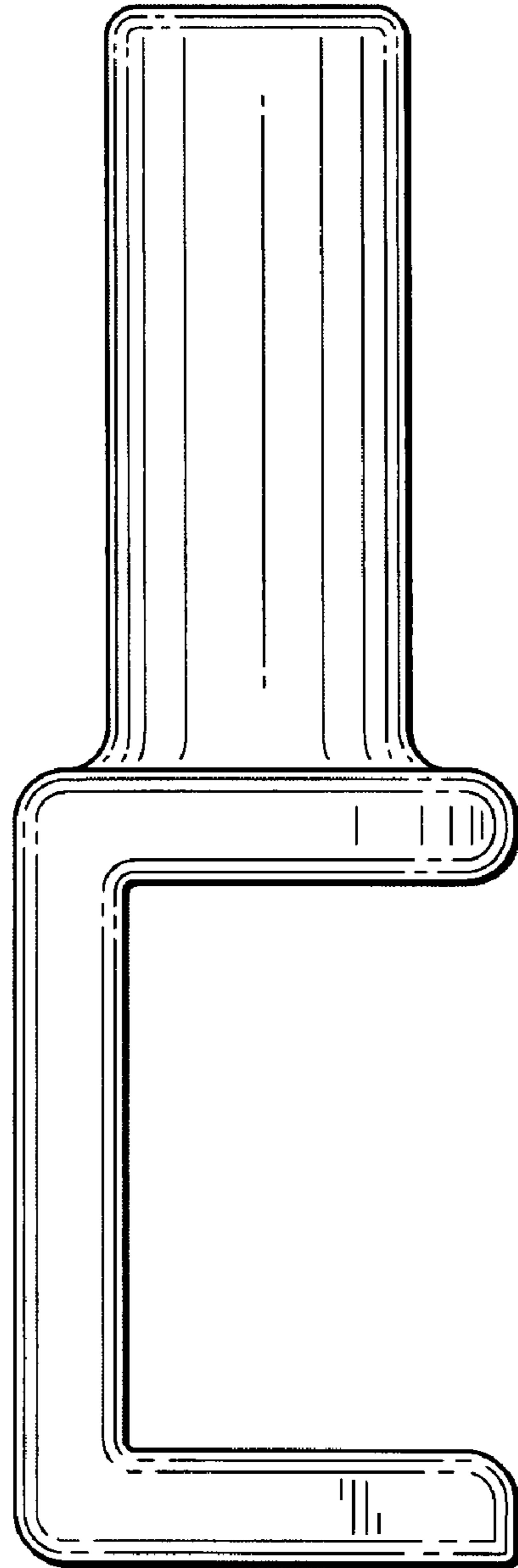


FIG. 6