



US00D572544S

(12) **United States Design Patent**  
**Jones**

(10) **Patent No.:** **US D572,544 S**  
(45) **Date of Patent:** **\*\* Jul. 8, 2008**

(54) **LIQUID EXTRACTOR FOR CANNED FOODS**

(76) Inventor: **Richard L. Jones**, 430 Shiver Blvd.,  
Covington, GA (US) 30016

(\*\*) Term: **14 Years**

(21) Appl. No.: **29/291,591**

(22) Filed: **Sep. 6, 2007**

(51) **LOC (8) Cl.** ..... **07-04**

(52) **U.S. Cl.** ..... **D7/665**

(58) **Field of Classification Search** ..... D7/666-668;  
99/495, 506-508; 100/104, 110, 116, 126,  
100/234, 243, 293; 210/464, 470, 65.5  
See application file for complete search history.

(56) **References Cited**

**U.S. PATENT DOCUMENTS**

3,040,897	A *	6/1962	Holman	.....	210/464
3,995,544	A	12/1976	Farley		
D337,702	S *	7/1993	Lange	.....	D7/665
D361,697	S *	8/1995	McNaughton	.....	D7/667
D368,623	S *	4/1996	Hacker	.....	D7/391
5,706,721	A *	1/1998	Homes	.....	99/495
5,771,792	A *	6/1998	Chen	.....	99/495

D396,387	S	7/1998	Marzullo		
D397,275	S *	8/1998	DuBay et al.	.....	D7/667
5,902,481	A	5/1999	Schwietert		
D421,555	S *	3/2000	Duhamel	.....	D7/667
6,422,138	B1	7/2002	Ballard		
D485,136	S	1/2004	Golden et al.		
D512,881	S	12/2005	Bertulis et al.		
7,162,952	B1	1/2007	Michaud		

\* cited by examiner

*Primary Examiner*—Terry A Wallace

(74) *Attorney, Agent, or Firm*—Robert C. Montgomery;  
Eugene A. Vittone, II

(57) **CLAIM**

The ornamental design for a liquid extractor for canned foods,  
as shown and described.

**DESCRIPTION**

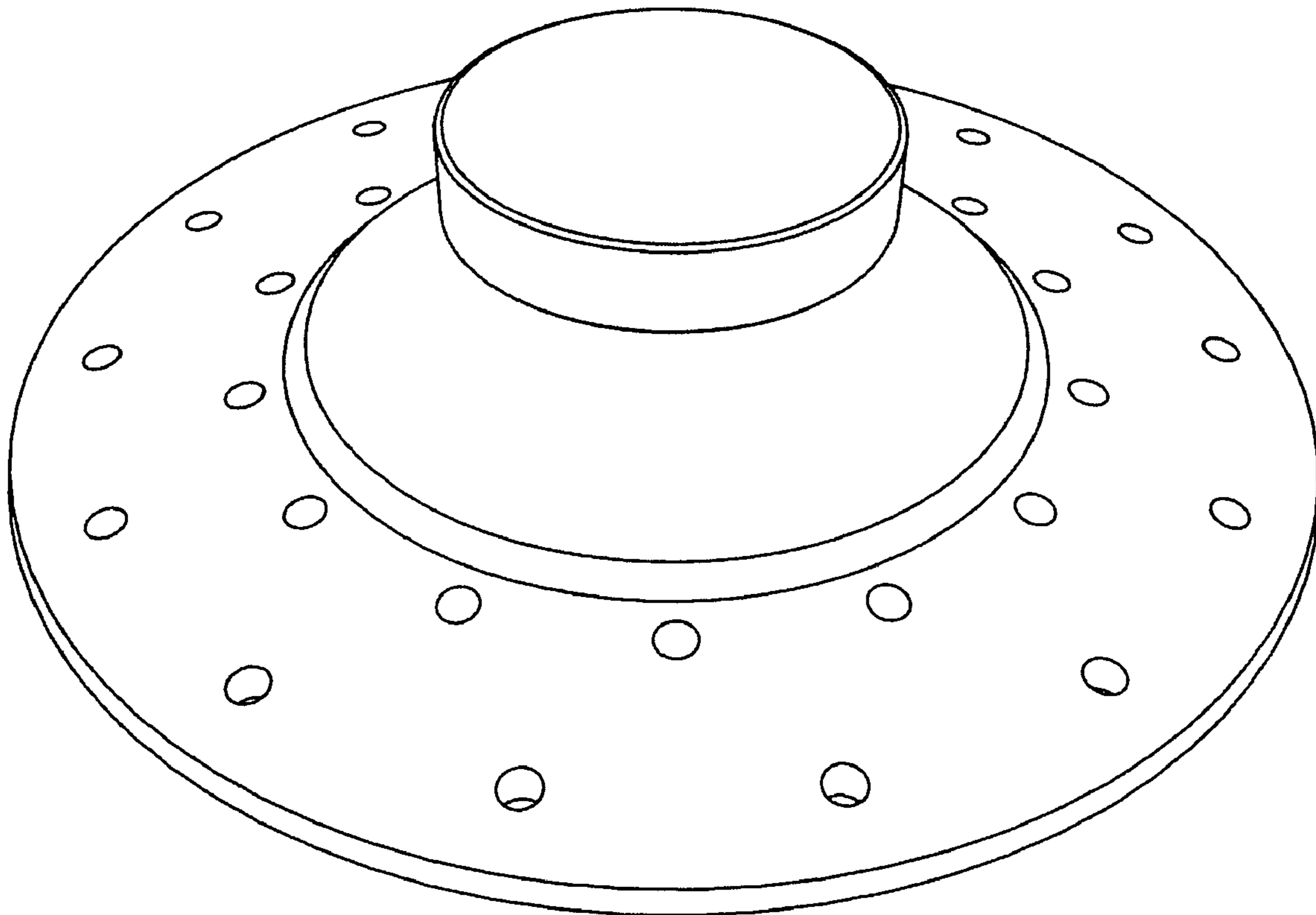
FIG. 1 is a perspective view of a liquid extractor for canned  
foods, as shown and described;

FIG. 2 is a front view thereof;

FIG. 3 is a top view thereof; and,

FIG. 4 is a bottom side view thereof.

**1 Claim, 4 Drawing Sheets**



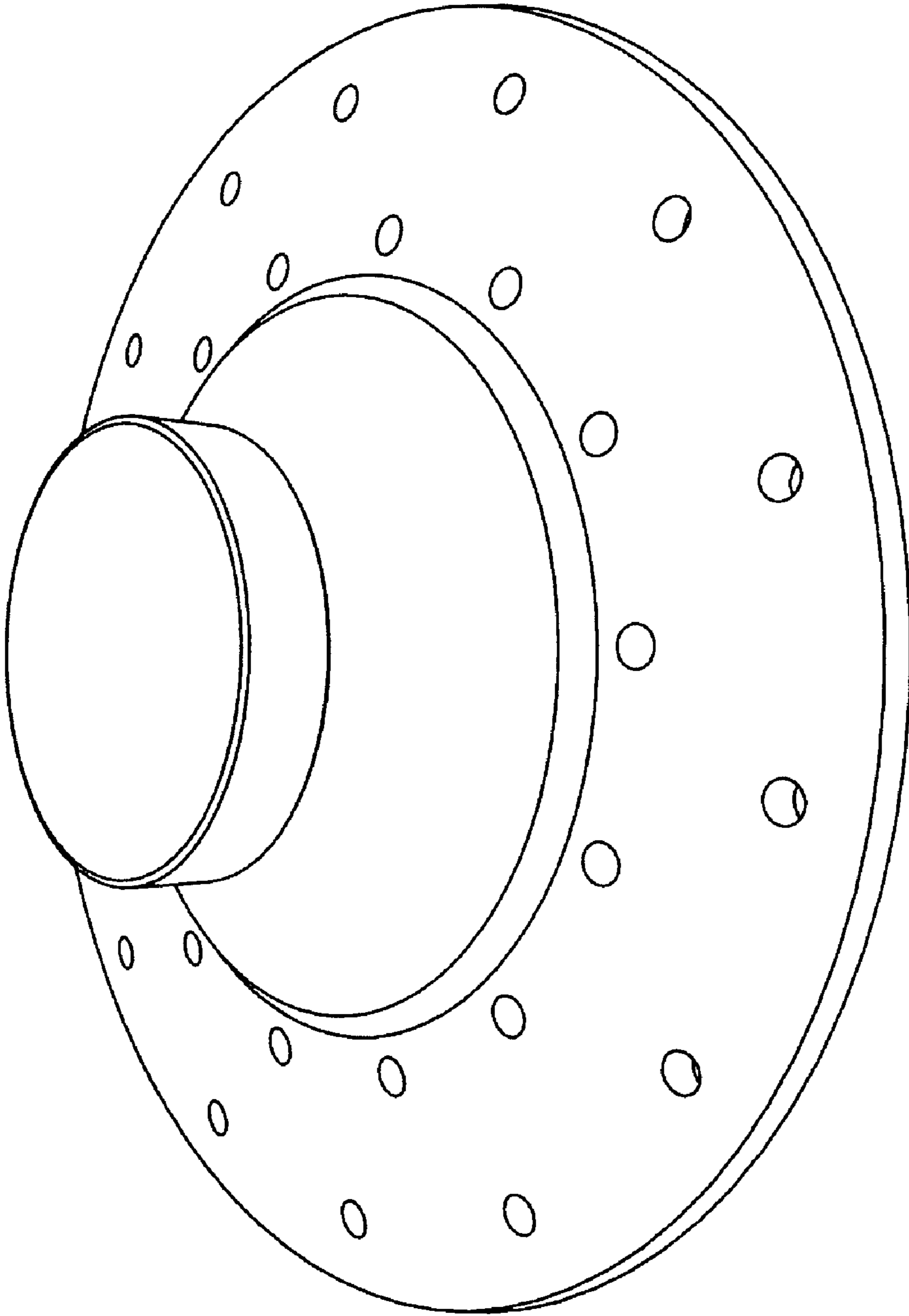


FIG. 1

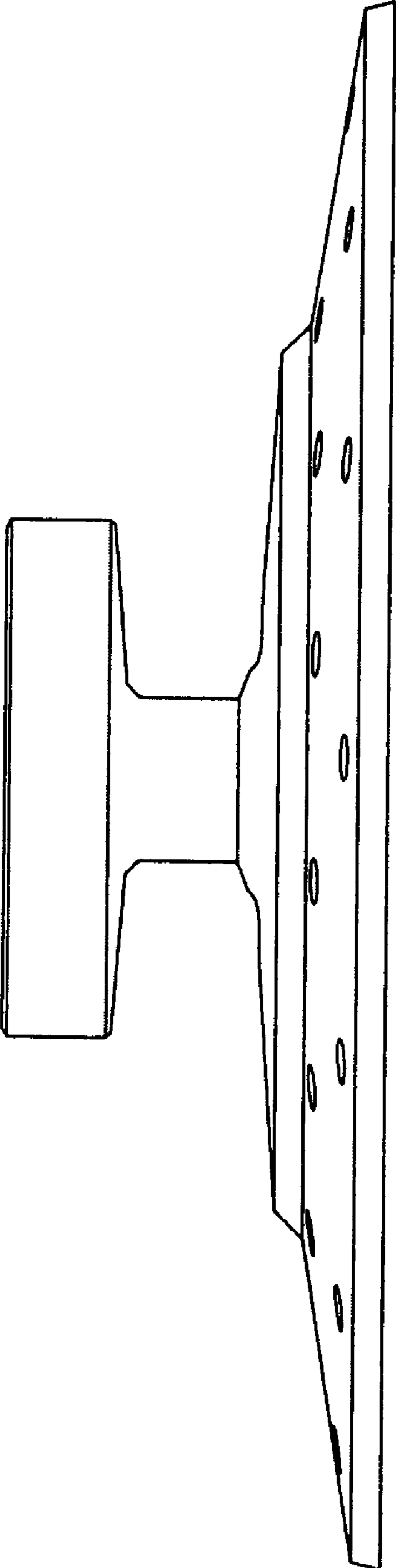


FIG. 2

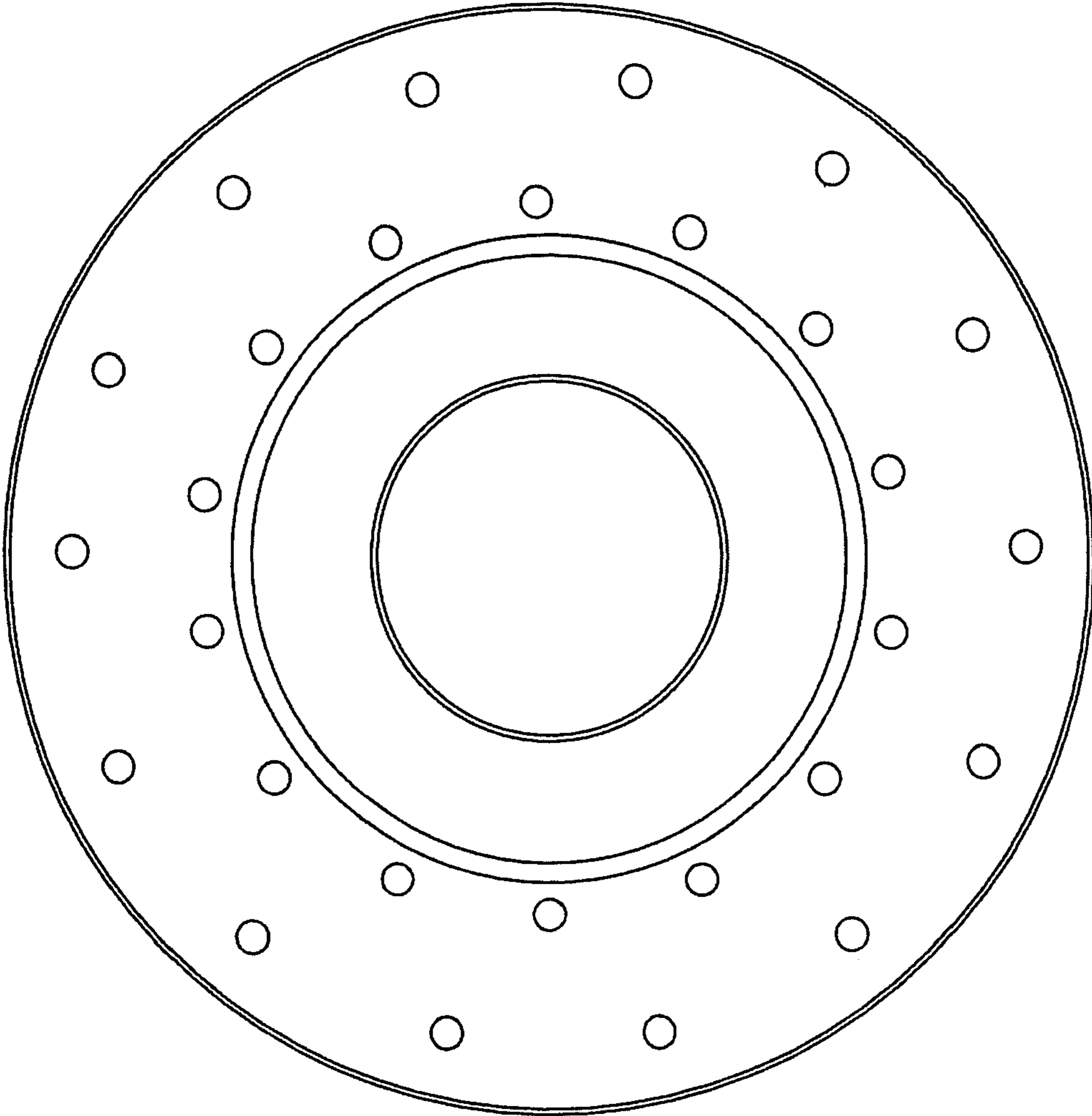


FIG. 3

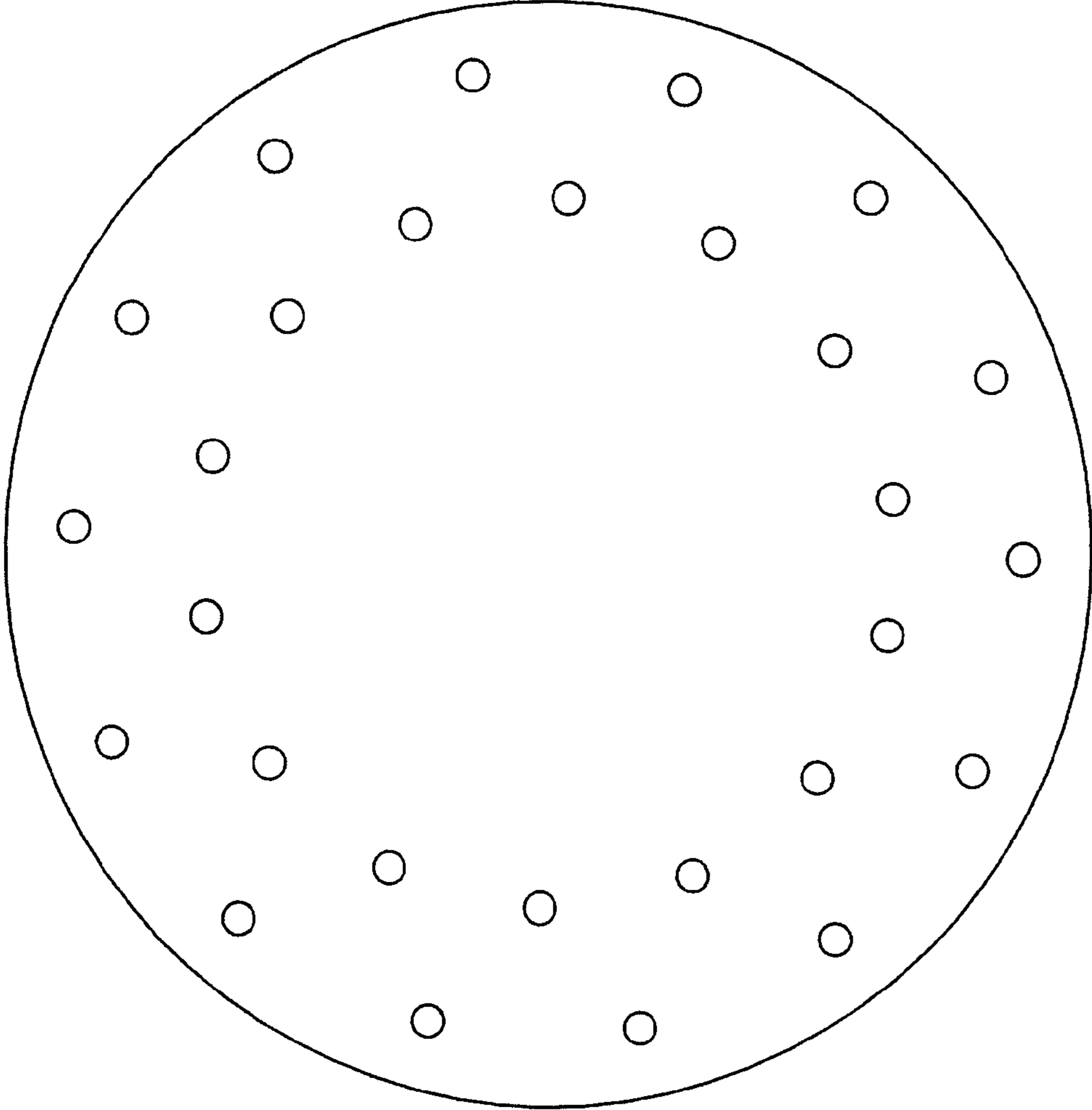


FIG. 4