



US00D572541S

(12) **United States Design Patent**
Shew et al.

(10) **Patent No.:** **US D572,541 S**
(45) **Date of Patent:** **** Jul. 8, 2008**

(54) **SERVING TRAY**

(75) Inventors: **Jerry Shew**, Charlotte, NC (US); **Ian D. Kovacevich**, Charlotte, NC (US)

(73) Assignee: **Snacdaddy, LLC**, Charlotte, NC (US)

(**) Term: **14 Years**

(21) Appl. No.: **29/302,605**

(22) Filed: **Jan. 20, 2008**

2,897,974 A *	8/1959	Cook	211/74
D206,762 S *	1/1967	Kirwan	D7/553.5
3,811,594 A	5/1974	Paulucci		
4,351,164 A	9/1982	Christiani		
4,865,219 A	9/1989	Logan et al.		
D312,026 S	11/1990	Antoni et al.		
D401,810 S	12/1998	Swift		
5,894,944 A	4/1999	Swift		
6,042,856 A	3/2000	Sagan et al.		
D426,110 S *	6/2000	Schmidt	D7/553.4
6,783,017 B2	8/2004	Griffin		
D496,831 S	10/2004	Strahota et al.		
2007/0062965 A1	3/2007	Anderson et al.		

Related U.S. Application Data

(63) Continuation of application No. 29/295,757, filed on Oct. 5, 2007.

(51) **LOC (8) Cl.** **07-06**

(52) **U.S. Cl.** **D7/629; D7/553.6**

(58) **Field of Classification Search** D7/600.1-600.4, D7/602, 629, 501, 538-542, 550.1, 553.1, D7/553.6, 554.1, 54.2, 555, 557; 220/522, 220/912, 574-575, 23.87, 212, 675, 23.83, 220/780-806

See application file for complete search history.

References Cited

U.S. PATENT DOCUMENTS

1,595,356 A *	8/1926	Moseman	220/23.8
1,858,728 A	5/1932	Creighton		
2,322,665 A	6/1943	Ryan		
D160,688 S	10/1950	Brock		

OTHER PUBLICATIONS

Jerry Shew et al., U.S. Appl. No. 29/295,757, filed Oct. 5, 2007.
Jerry Shew et al., U.S. Appl. No. 29/302,606, filed Jan. 20, 2008.

* cited by examiner

Primary Examiner—Terry A Wallace

(74) *Attorney, Agent, or Firm*—Tillman Wright, PLLC; Chad D. Tillman; James D. Wright

(57) **CLAIM**

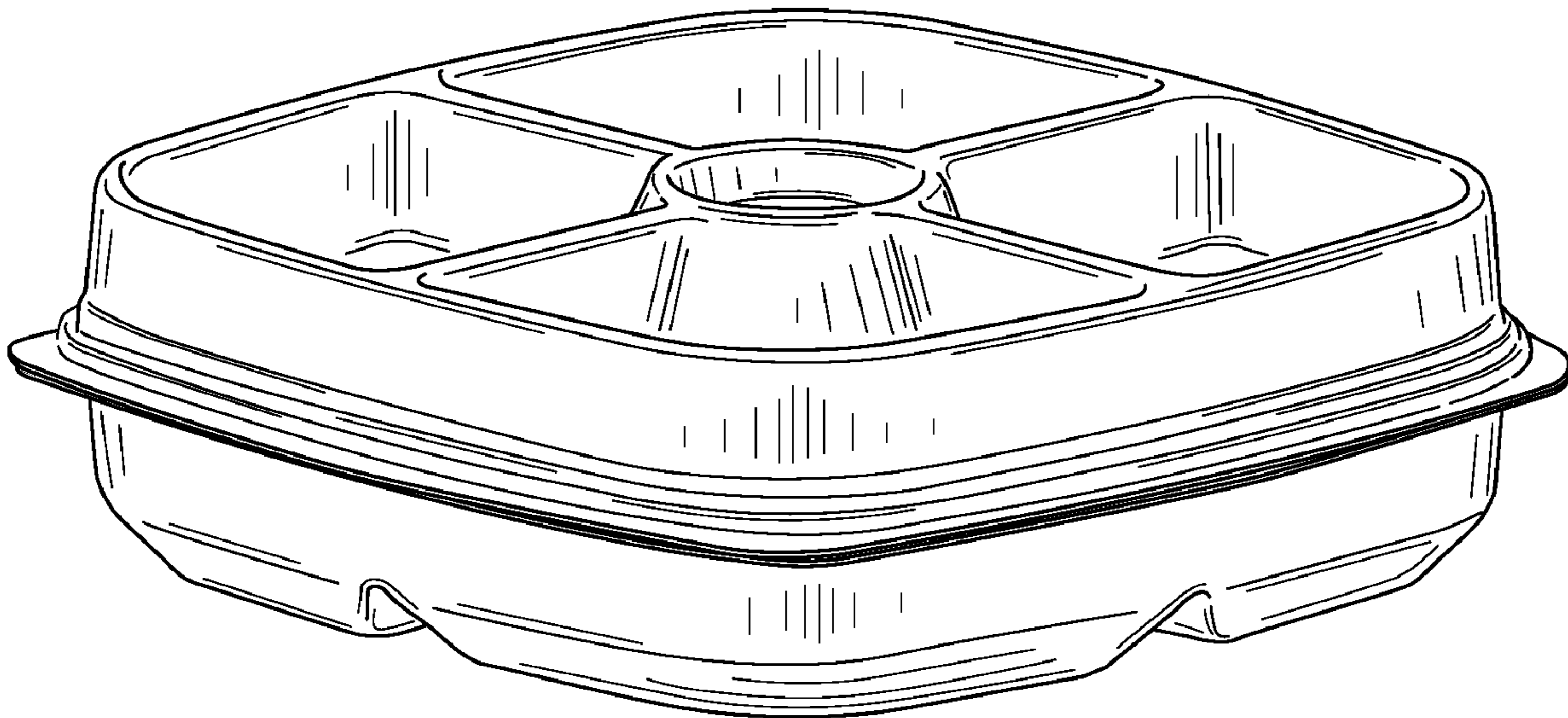
The ornamental design for a serving tray, as shown.

DESCRIPTION

FIG. 1 is a perspective view of a serving tray in accordance with an embodiment of the present invention; and,

FIG. 2 is a side elevational view of the serving tray of FIG. 1.

1 Claim, 2 Drawing Sheets



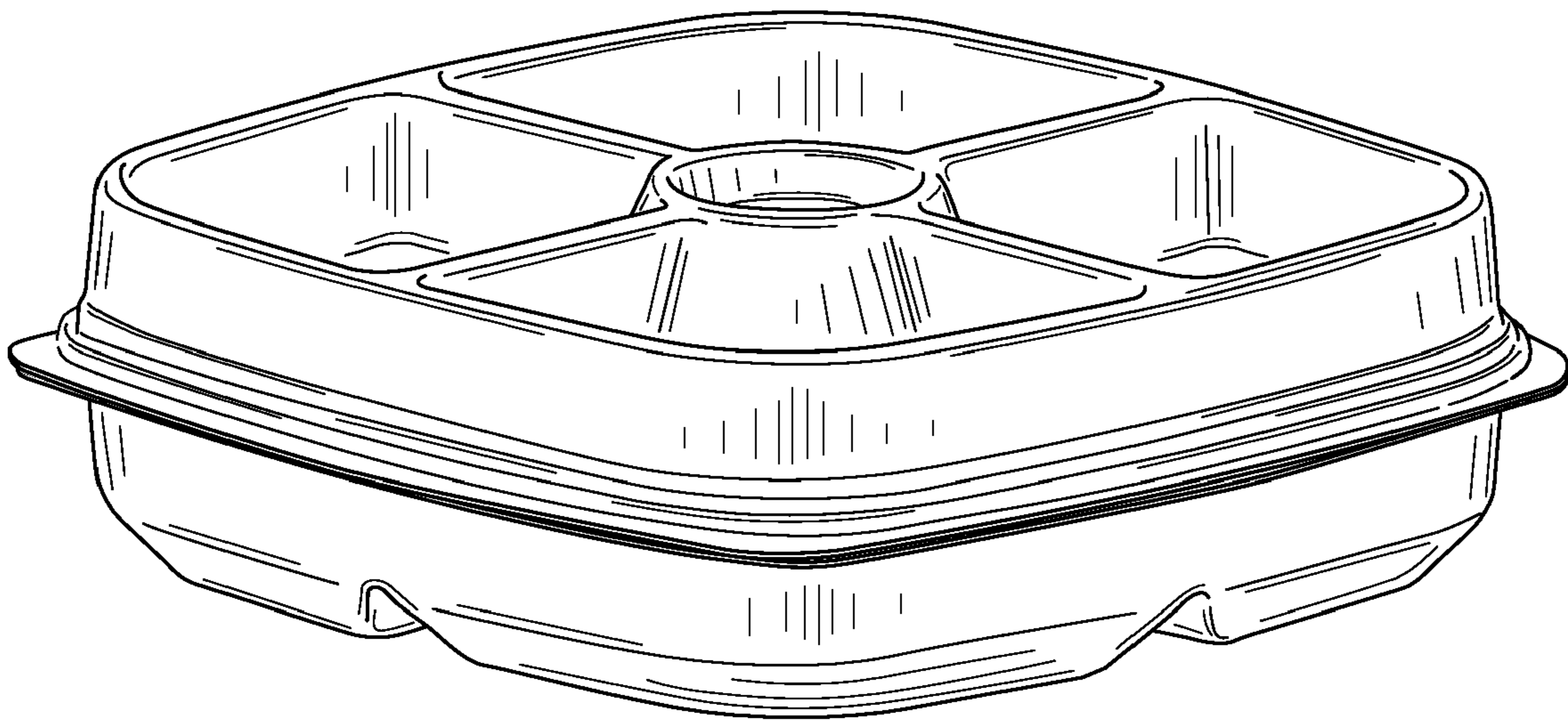


FIG. 1

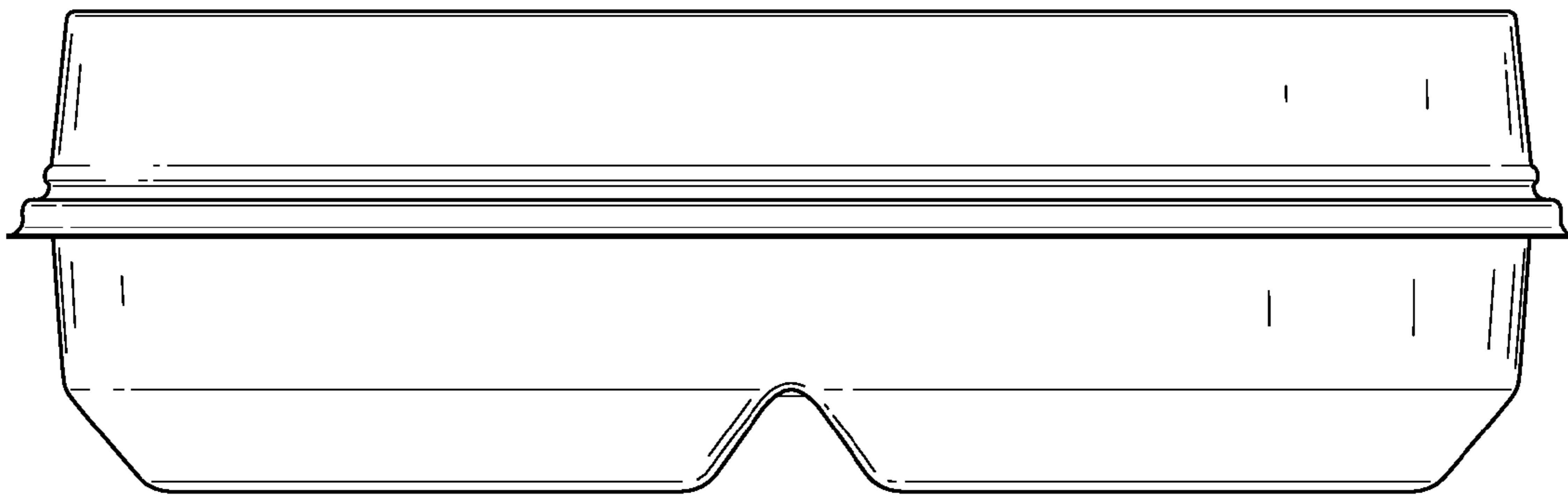


FIG. 2