



US00D572540S

(12) **United States Design Patent**
Shew et al.

(10) **Patent No.:** **US D572,540 S**
(45) **Date of Patent:** **** Jul. 8, 2008**

(54) **SERVING TRAY**

(75) Inventors: **Jerry Shew**, Charlotte, NC (US); **Ian Kovacevich**, Charlotte, NC (US)

(73) Assignee: **Snacdaddy, LLC**, Charlotte, NC (US)

(**) Term: **14 Years**

(21) Appl. No.: **29/295,757**

(22) Filed: **Oct. 5, 2007**

(51) **LOC (8) Cl.** **07-06**

(52) **U.S. Cl.** **D7/629**

(58) **Field of Classification Search** D7/602,
D7/629, 600.1-600.4, 501, 553.1, 553.2-553.5,
D7/554.3, 553.6, 554.1, 554.2, 555, 557;
220/522, 912, 574-575, 23.87, 23.83, 212,
220/675, 780-806

See application file for complete search history.

(56) **References Cited**

U.S. PATENT DOCUMENTS

1,595,356	A *	8/1926	Moseman	220/23.8
1,858,728	A	5/1932	Creighton		
2,322,665	A	6/1943	Ryan		
D160,688	S	10/1950	Brock		
2,897,974	A *	8/1959	Cook	D7/552.2
D206,762	S *	1/1967	Kirwan	D7/553.5
3,811,594	A	5/1974	Paulucci		
4,351,164	A	9/1982	Christiani		
4,865,219	A	9/1989	Logan et al.		

D312,026	S	11/1990	Antoni et al.		
D401,810	S	12/1998	Swift		
5,894,944	A	4/1999	Swift		
6,042,856	A	3/2000	Sagan et al.		
D426,110	S *	6/2000	Schmidt	D7/553.4
6,783,017	B2	8/2004	Griffin		
D496,831	S	10/2004	Strahota et al.		
2007/0062965	A1	3/2007	Anderson et al.		

OTHER PUBLICATIONS

Jerry Shew et al., U.S. Appl. No. 29/302,605, filed Jan. 20, 2008.
Jerry Shew et al., U.S. Appl. No. 29/302,606, filed Jan. 20, 2008.

* cited by examiner

Primary Examiner—Terry A Wallace

(74) *Attorney, Agent, or Firm*—Tillman Wright, PLLC; Chad D. Tillman; James D. Wright

(57) **CLAIM**

The ornamental design for a serving tray, as shown and described.

DESCRIPTION

FIG. 1 is a perspective view of a serving tray in accordance with an embodiment of the present invention.

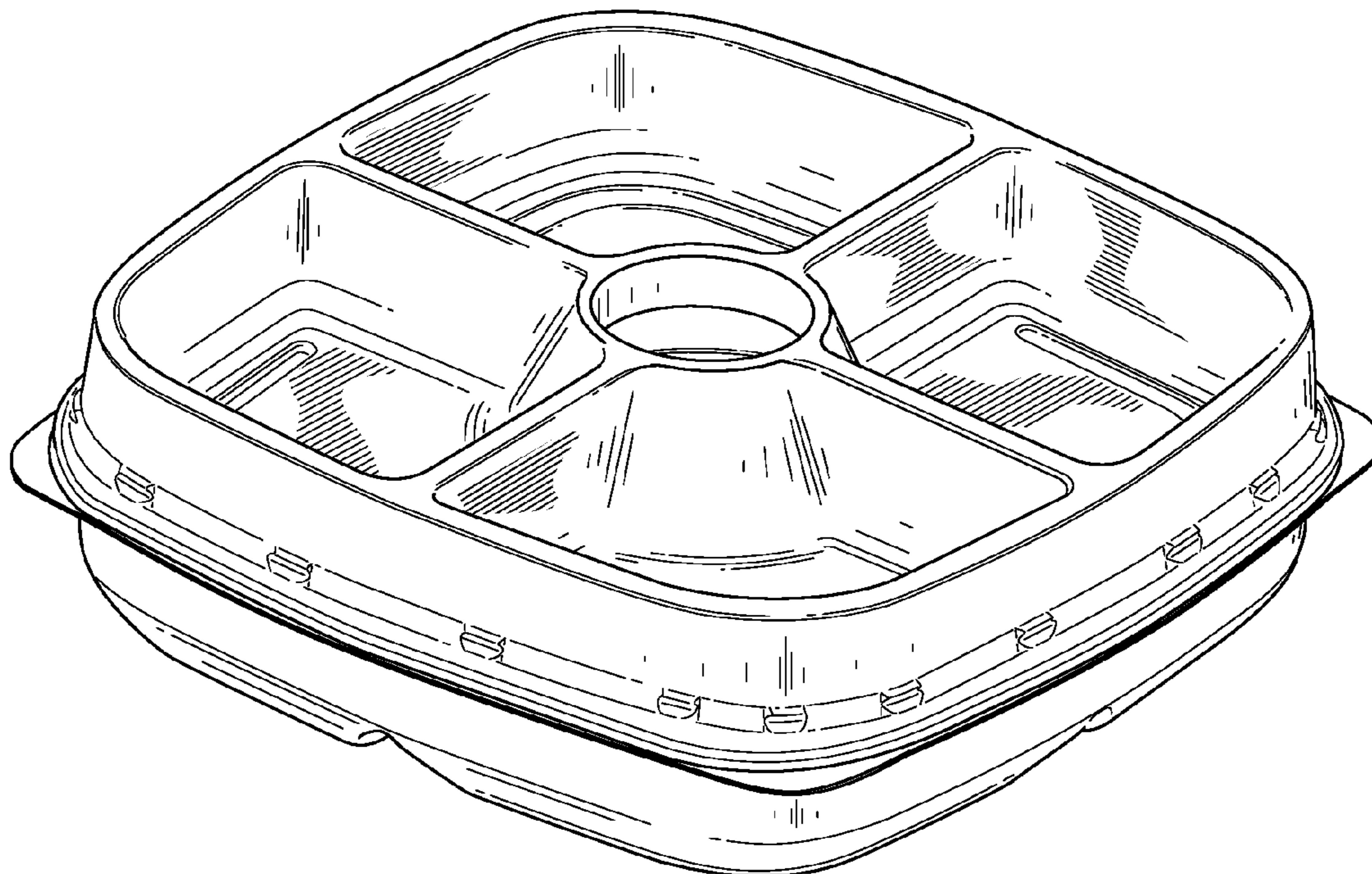
FIG. 2 is a side elevational view the serving tray of FIG. 1.

FIG. 3 is a top plan view of the serving tray of FIG. 1; and,

FIG. 4 is a bottom plan view of the serving tray of FIG. 1.

Broken lines illustrated in the drawings form no part of the design.

1 Claim, 4 Drawing Sheets



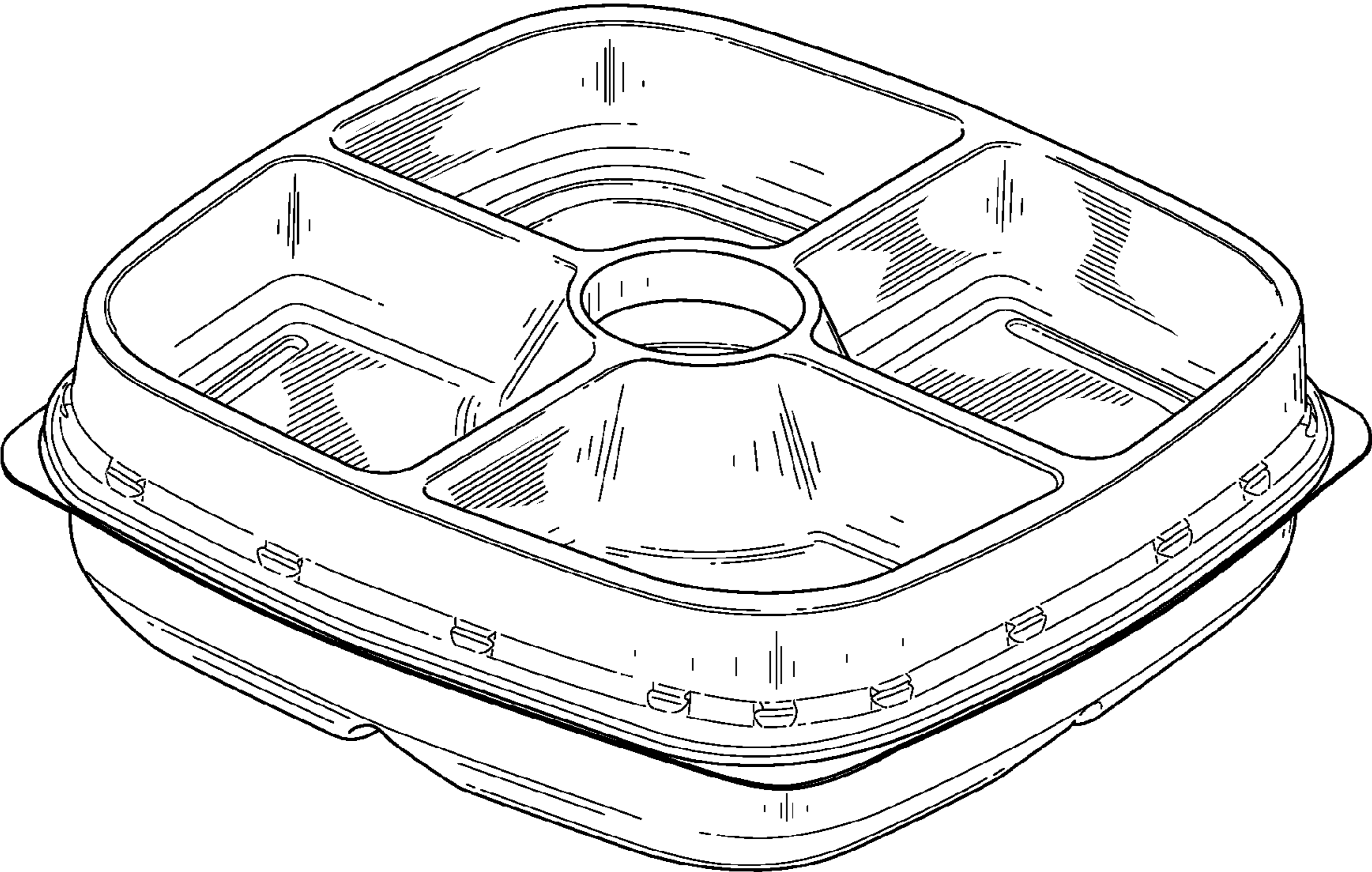


FIG. 1

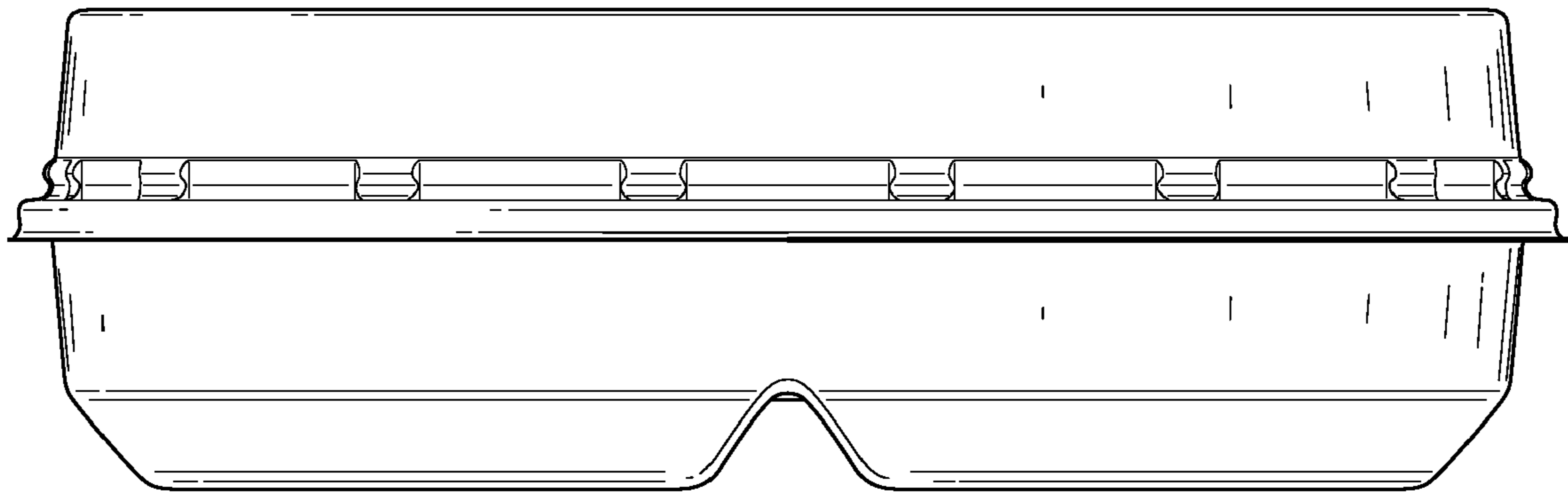


FIG. 2

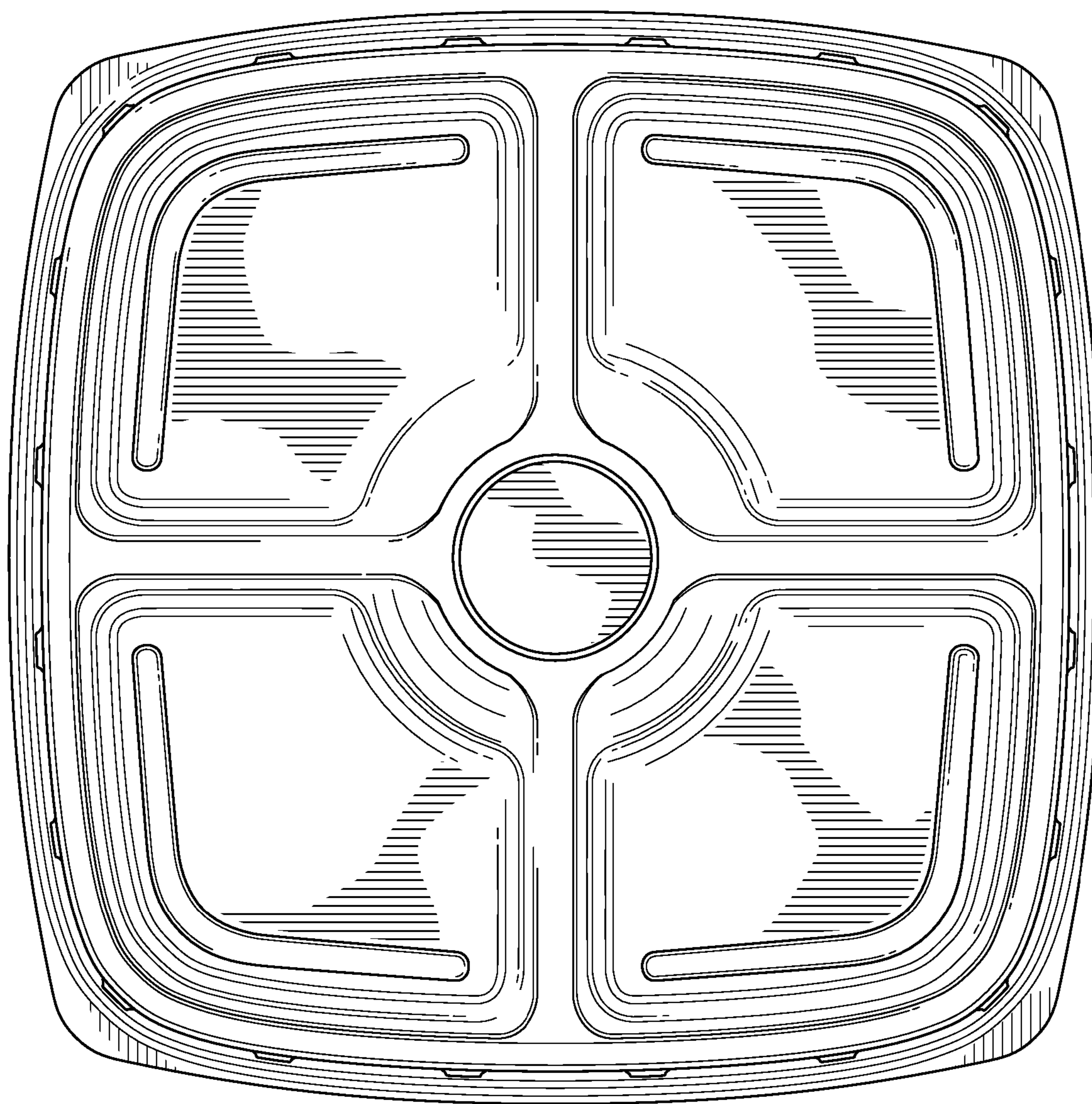


FIG. 3

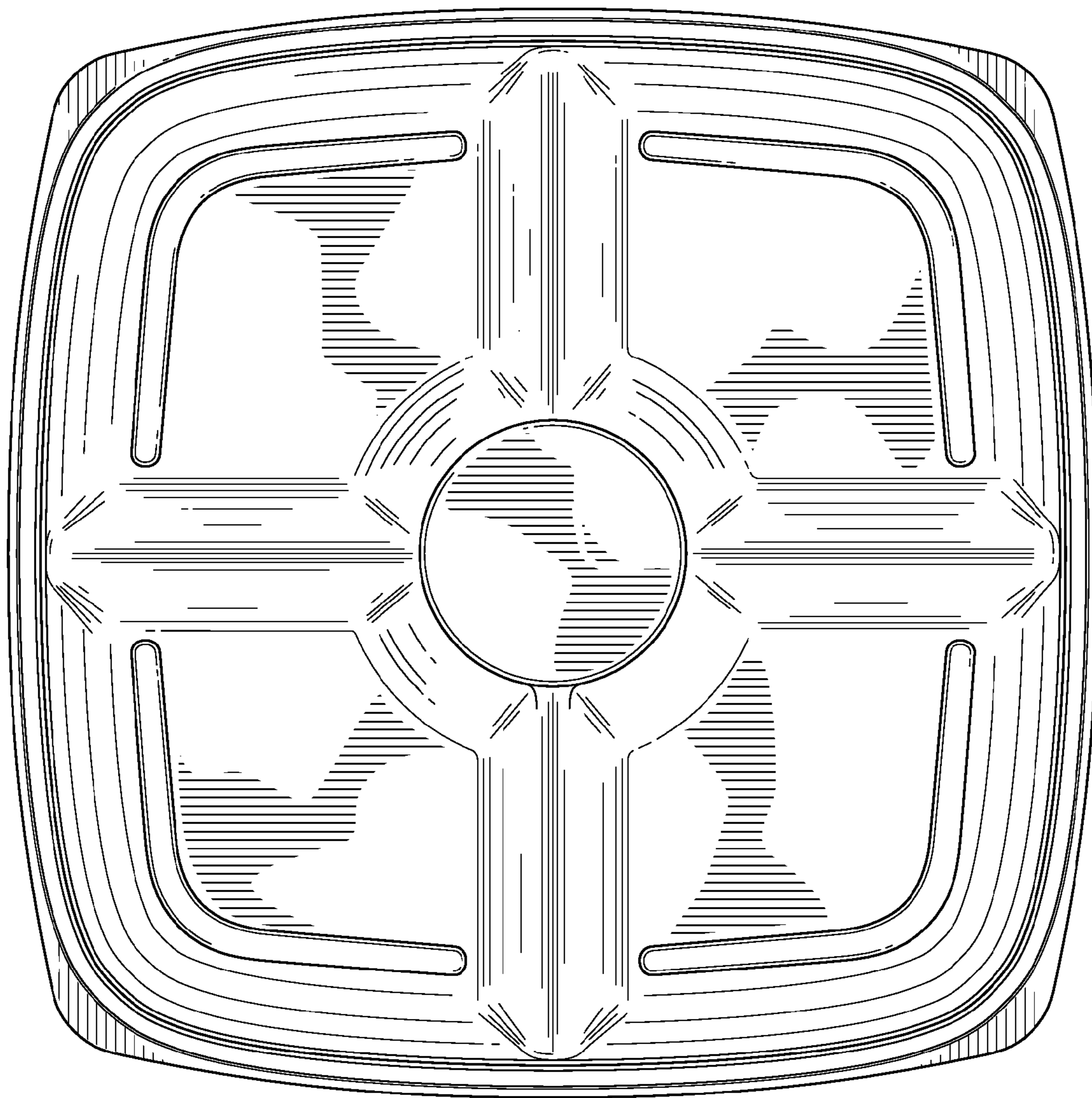


FIG. 4