



US00D572539S

(12) **United States Design Patent**
Swinford et al.

(10) **Patent No.:** **US D572,539 S**
(45) **Date of Patent:** **** Jul. 8, 2008**

(54) **COMBINED CAKE AND MUFFIN CARRIER**

D469,653 S * 2/2003 Cooper et al. D7/357
D515,363 S * 2/2006 Driggers et al. D7/610
D529,345 S * 10/2006 Kim D7/610

(75) Inventors: **Karen Swinford**, Schaumburg, IL (US);
David Purcell, Aurora, IL (US); **Denise Simon**, Harbor Springs, MI (US); **Jeff Bull**, Naperville, IL (US)

* cited by examiner

Primary Examiner—Terry A Wallace

(73) Assignee: **Wilton Industries, Inc.**, Woodridge, IL (US)

(74) *Attorney, Agent, or Firm*—DLA Piper US LLP; R. Blake Johnston

(**) Term: **14 Years**

(57) **CLAIM**

(21) Appl. No.: **29/235,470**

The ornamental design for a combined cake and muffin carrier, as shown and described.

(22) Filed: **Aug. 1, 2005**

DESCRIPTION

(51) **LOC (8) Cl.** **07-07**

FIG. 1 is a perspective view of the combined cake and muffin carrier in a first configuration;

(52) **U.S. Cl.** **D7/610**

FIG. 2 is a left side elevational view of the combined cake and muffin carrier in the first configuration, the opposite side of which is identical;

(58) **Field of Classification Search** D7/610,
D7/629, 538–542; D9/430–432; 206/508,
206/519, 493, 557–564; 220/780–799, 574–575,
220/675, 4.27; 312/280, 284; 431/288, 291,
431/293, 295, 297; 229/117.14, 117.13,
229/117.09, 117.02, 116.1

FIG. 3 is a front elevational view of the combined cake and muffin carrier in the first configuration, the opposite side of which is identical;

See application file for complete search history.

FIG. 4 is a top plan view of the combined cake and muffin carrier in the first configuration;

(56) **References Cited**

U.S. PATENT DOCUMENTS

3,211,290 A * 10/1965 Strickling D7/708
3,307,603 A * 3/1967 Swett 220/783
4,694,961 A * 9/1987 Menendez 206/508
4,772,418 A * 9/1988 Leoncavallo 206/508
D323,447 S * 1/1992 Booz D7/705
D389,379 S * 1/1998 Samuels D7/610
D396,999 S * 8/1998 Boothe D7/610
D400,055 S * 10/1998 McFadzean D7/610
6,003,671 A * 12/1999 McDonough et al. 206/564
D422,456 S * 4/2000 Krueger D7/610

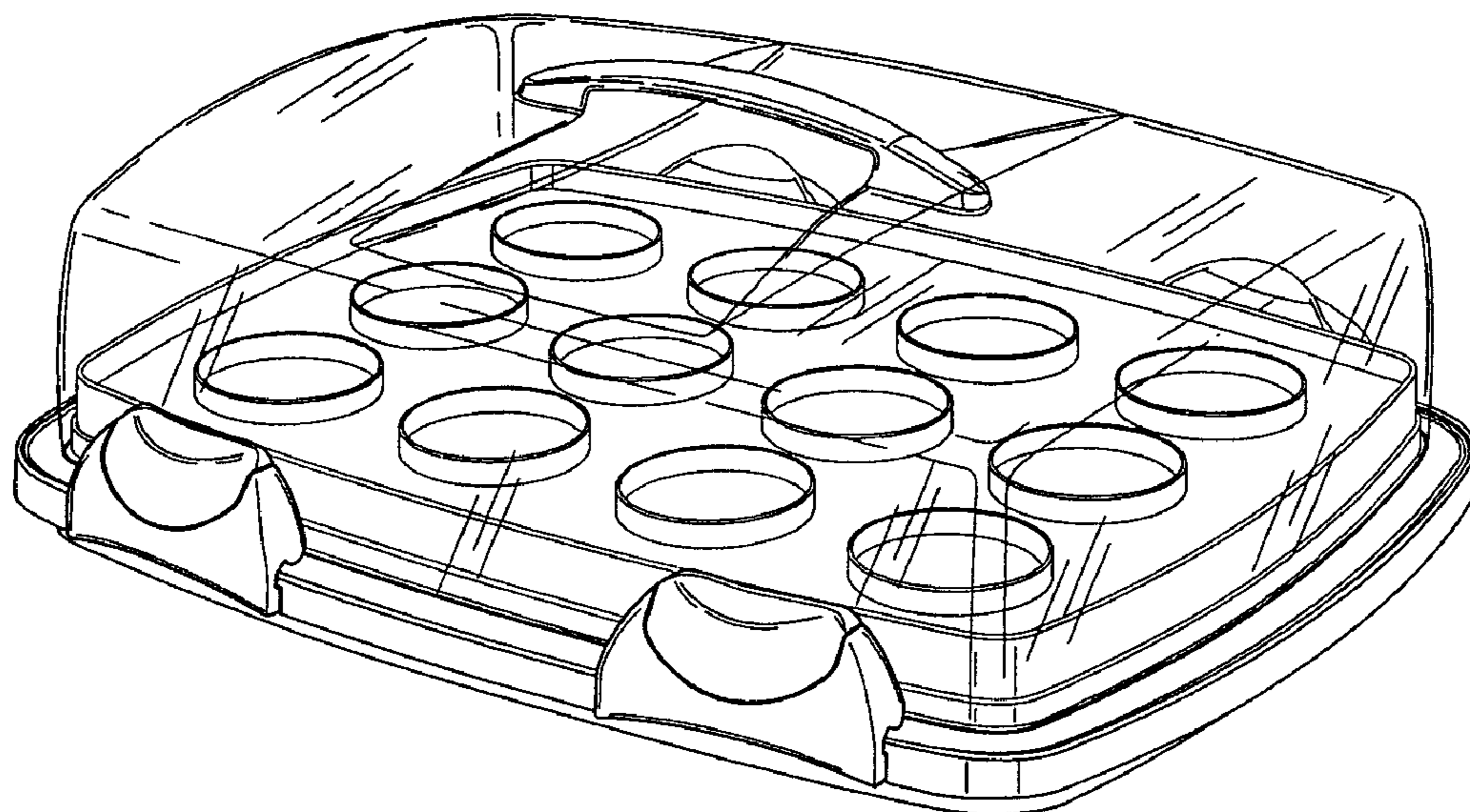
FIG. 5 is a bottom plan view of the combined cake and muffin carrier;

FIG. 6 is a perspective view of an alternate embodiment of FIG. 1, the difference being in the number of holes; and,

FIG. 7 is a perspective view of an alternate embodiment of FIG. 1, the difference being the removal of the hole portion.

The broken lines are for illustrative purposes only and form no part of the claimed design.

1 Claim, 4 Drawing Sheets



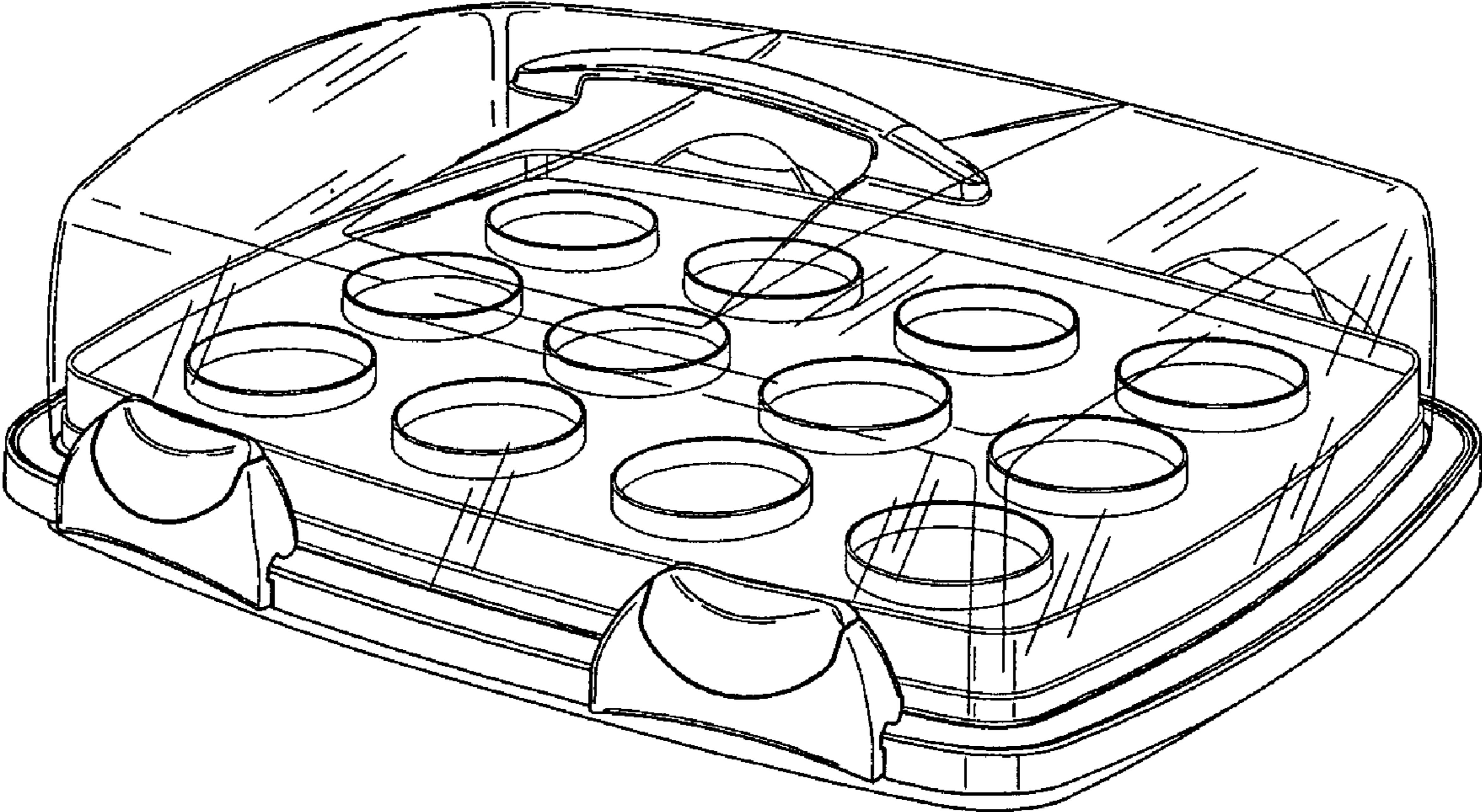


FIG. 1

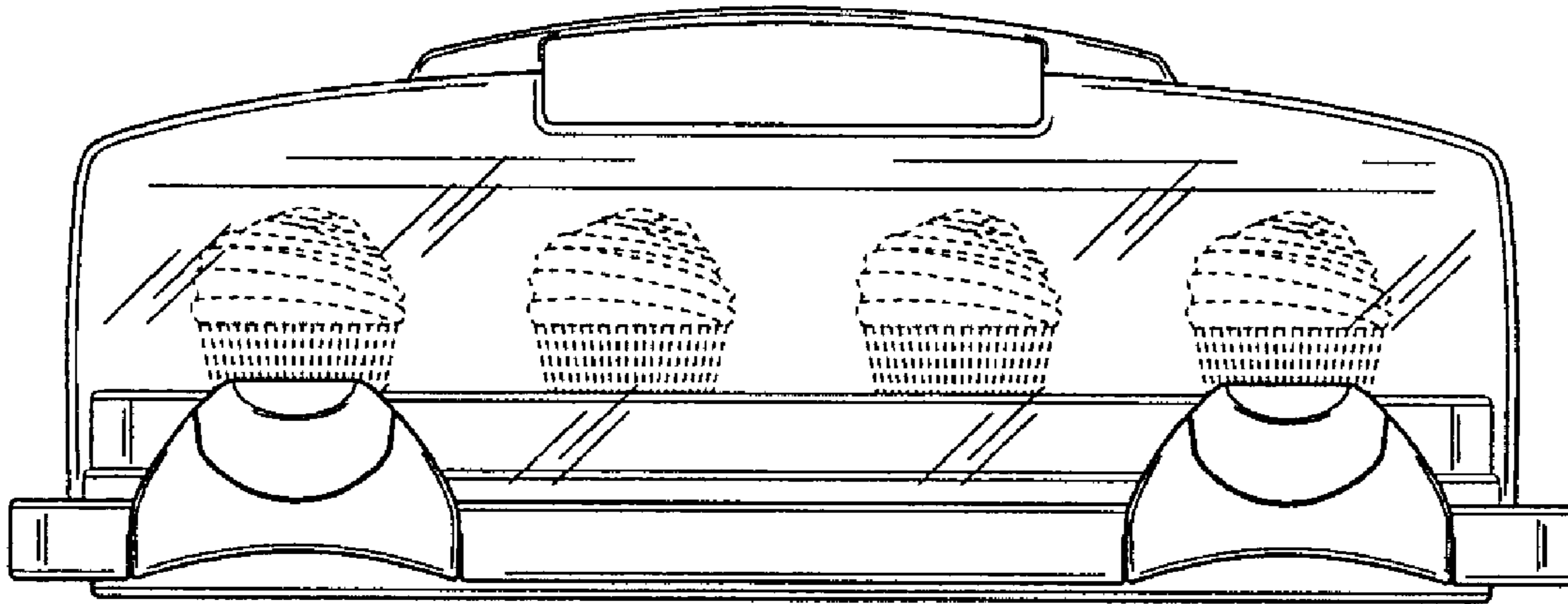


FIG. 2

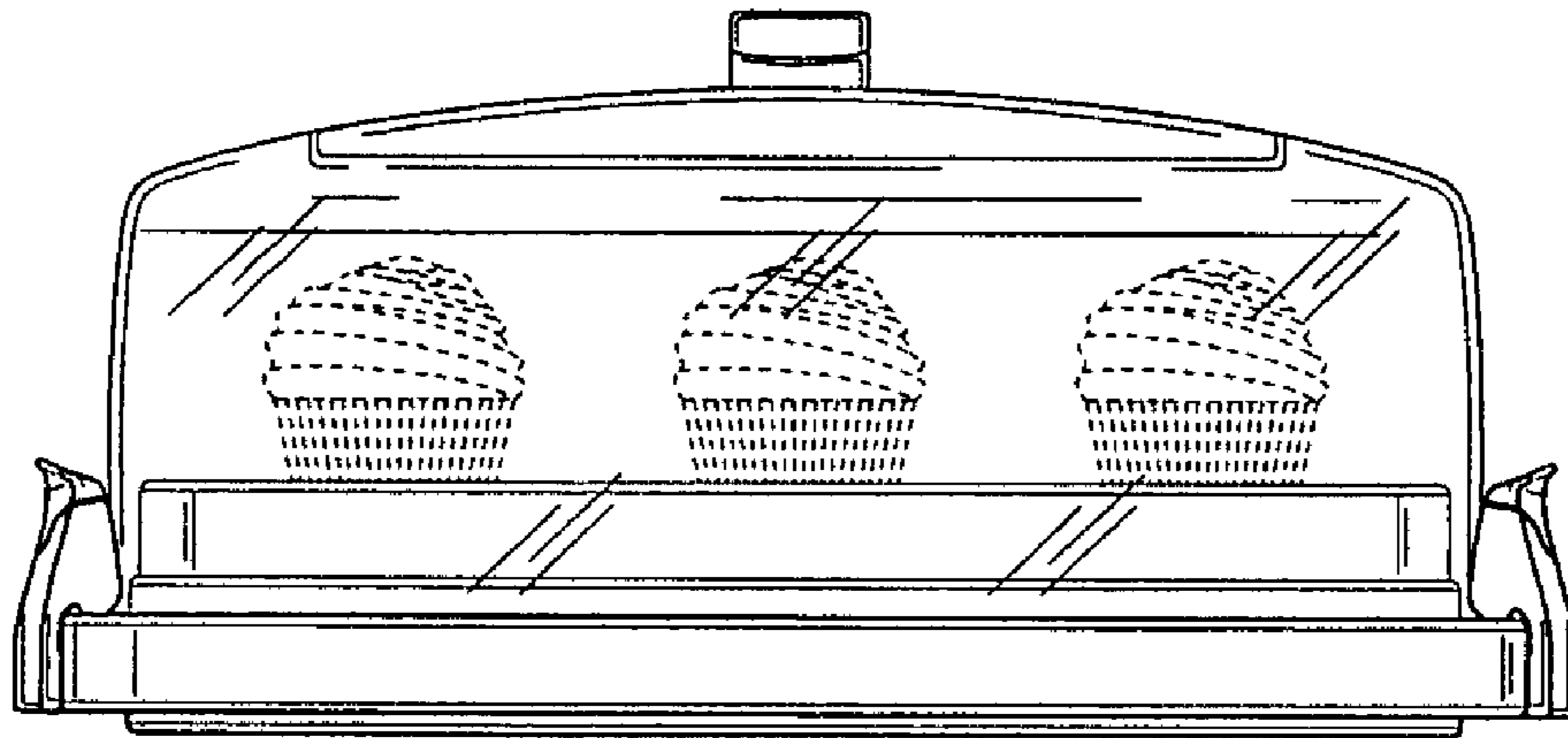


FIG. 3

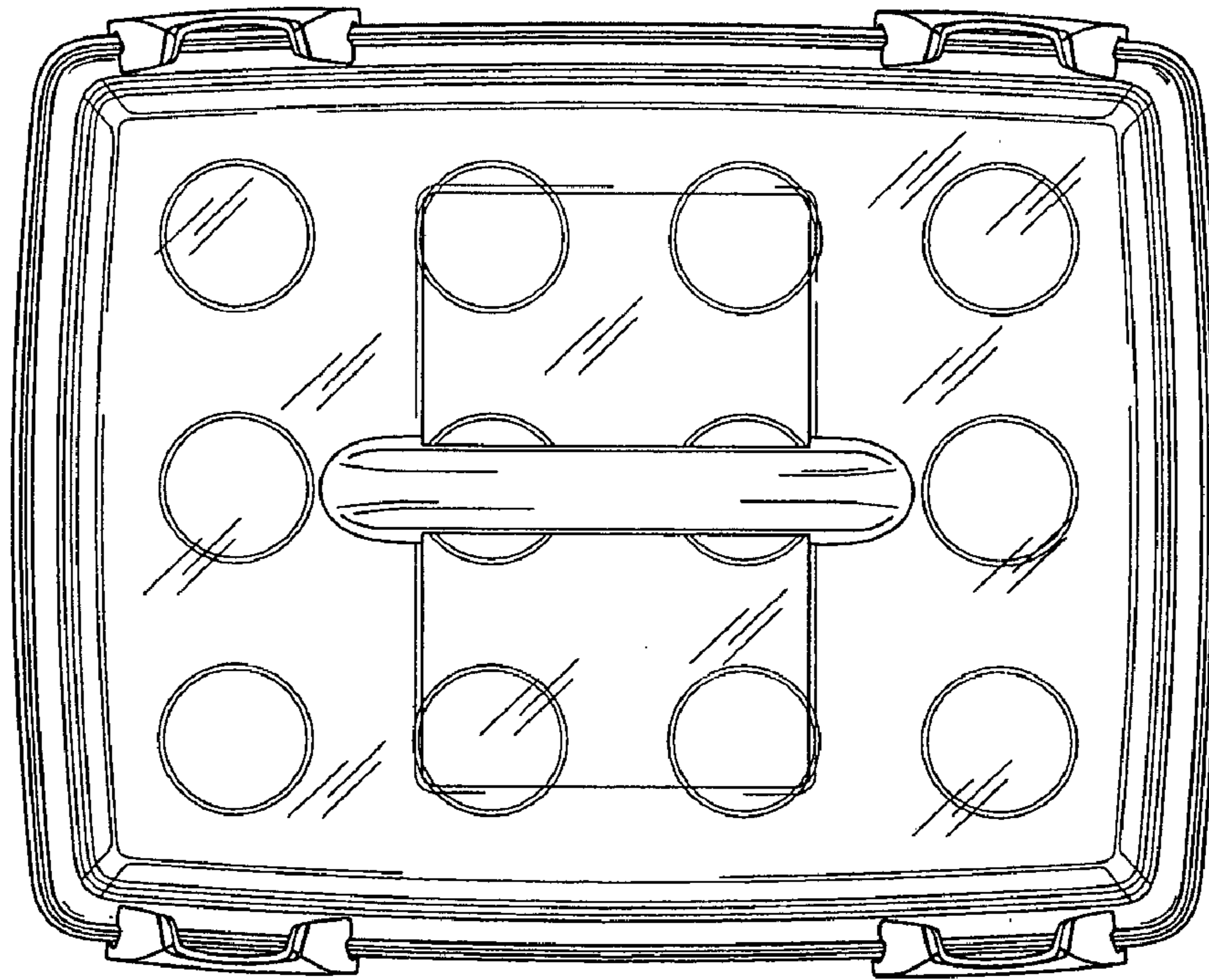


FIG. 4

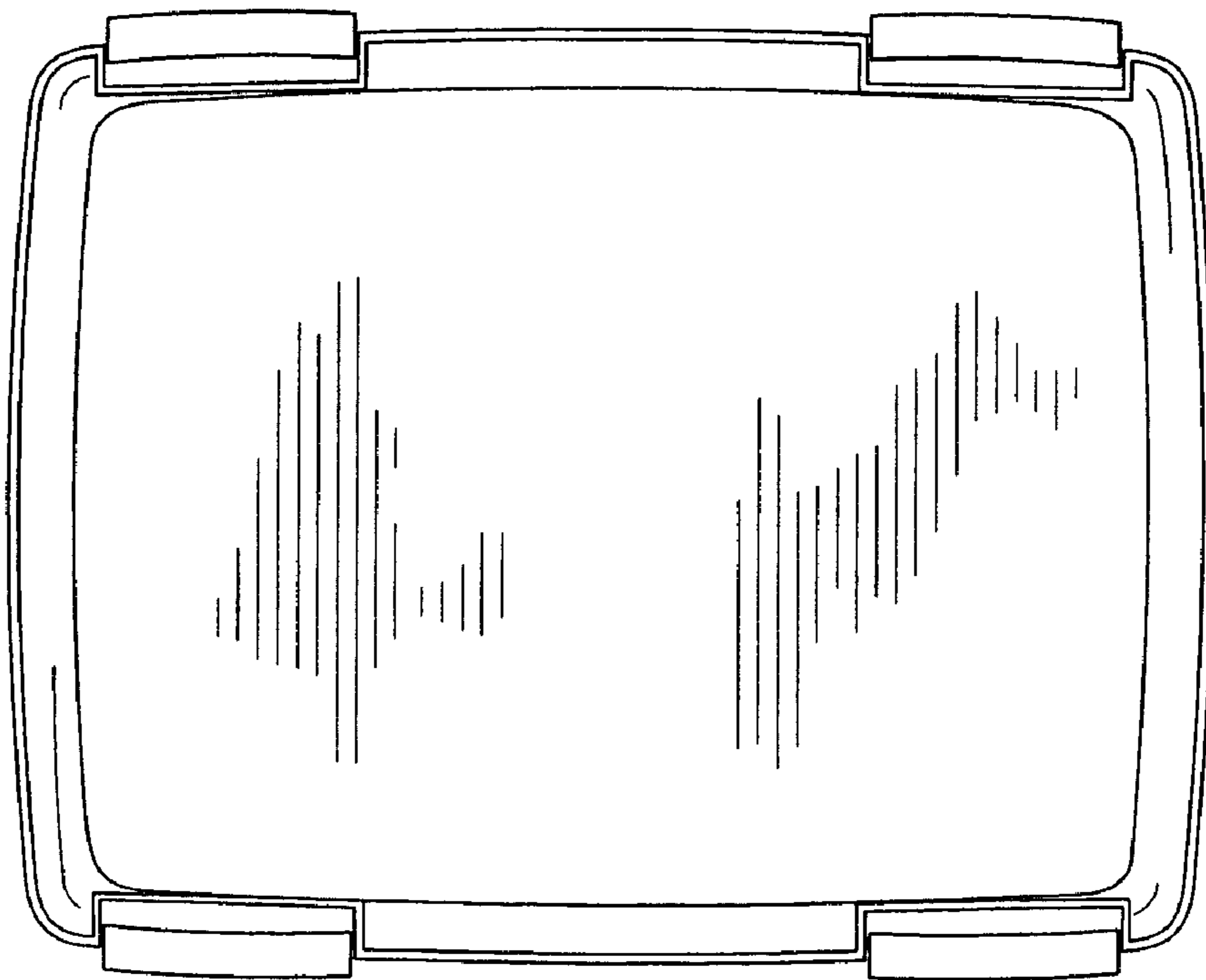


FIG. 5

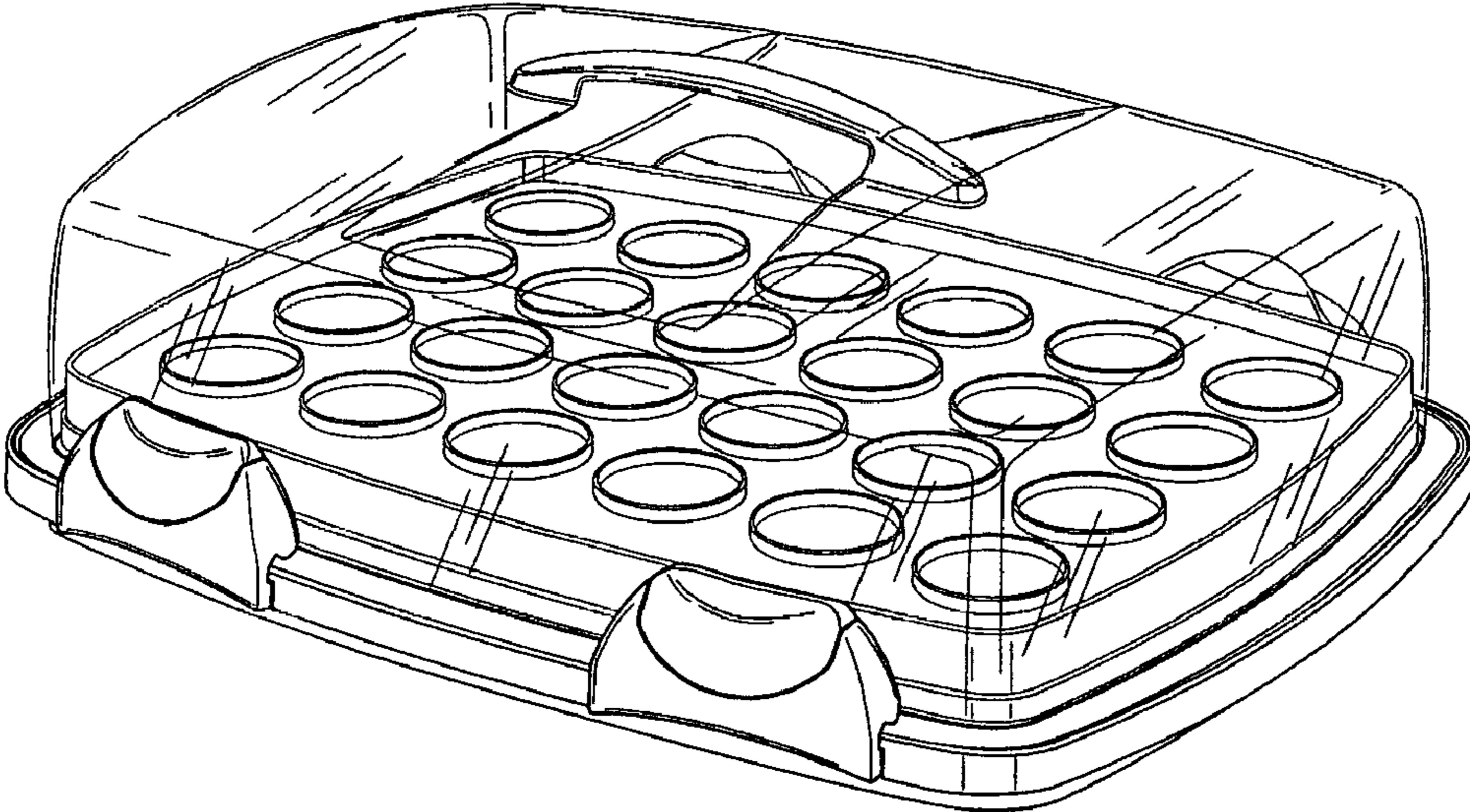


FIG. 6

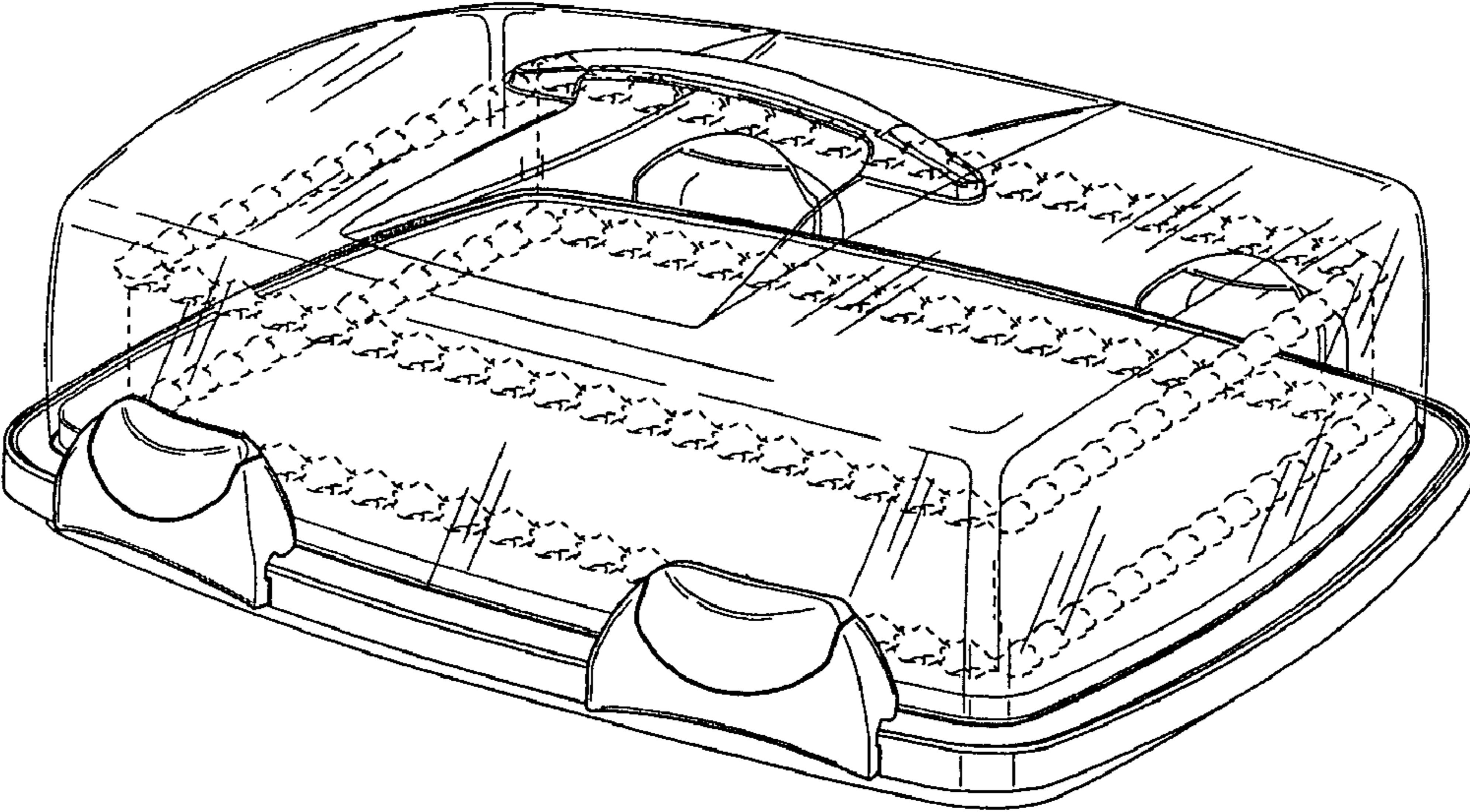


FIG. 7