



US00D572535S

(12) **United States Design Patent**
El-Ghouyel et al.

(10) **Patent No.:** **US D572,535 S**
(45) **Date of Patent:** **** Jul. 8, 2008**

- (54) **CONFECTIONERY CONTAINER**
- (75) Inventors: **Karim El-Ghouyel**, Paris (FR); **Raphael Delacroix**, Pratz (FR)
- (73) Assignee: **Cadbury Schweppes PLC**, London (GB)
- (**) Term: **14 Years**
- (21) Appl. No.: **29/270,896**
- (22) Filed: **Jan. 5, 2007**

(30) **Foreign Application Priority Data**
Jul. 18, 2006 (EM) 000564455-0002

- (51) **LOC (8) Cl.** **07-01**
- (52) **U.S. Cl.** **D7/538; D7/500; D9/519**
- (58) **Field of Classification Search** D7/500,
D7/392, 397, 213, 590, 597, 601, 602, 608,
D7/611, 615, 708, 538, 558, 543, 586; D9/435,
D9/454, 504, 519, 518, 555, 428, 761; D24/200;
D23/366; D34/1; 27/1; 215/329; 220/369,
220/521
See application file for complete search history.

- (56) **References Cited**
U.S. PATENT DOCUMENTS
D49,555 S * 8/1916 Vivaudou D9/504
2,981,431 A * 4/1961 Schluttig 215/329
D254,716 S * 4/1980 Mascia et al. D9/776
D324,106 S * 2/1992 Greenblatt D24/200
D335,085 S * 4/1993 Wacker D9/504
D465,733 S * 11/2002 Hill D9/519
D528,257 S * 9/2006 Leclerc et al. D34/1

* cited by examiner

Primary Examiner—Philip Hyder
Assistant Examiner—Cynthia Underwood
(74) *Attorney, Agent, or Firm*—Hoffman & Baron, LLP

(57) **CLAIM**

The ornamental design for a confectionery container, as shown and described.

DESCRIPTION

FIG. 1 is a front perspective view with the top cover in a closed position of a confectionery container of my design.

FIG. 2 is a rear perspective view with the top cover in a closed position of the confectionery container of FIG. 1.

FIG. 3 is a front perspective view with the top cover in an open position of a confectionery container of FIG. 1.

FIG. 4 is a left elevational view of the confectionery container of FIG. 1, the right elevational view being a mirror image of the left elevational view.

FIG. 5 is a rear elevational view of the confectionery container of FIG. 1.

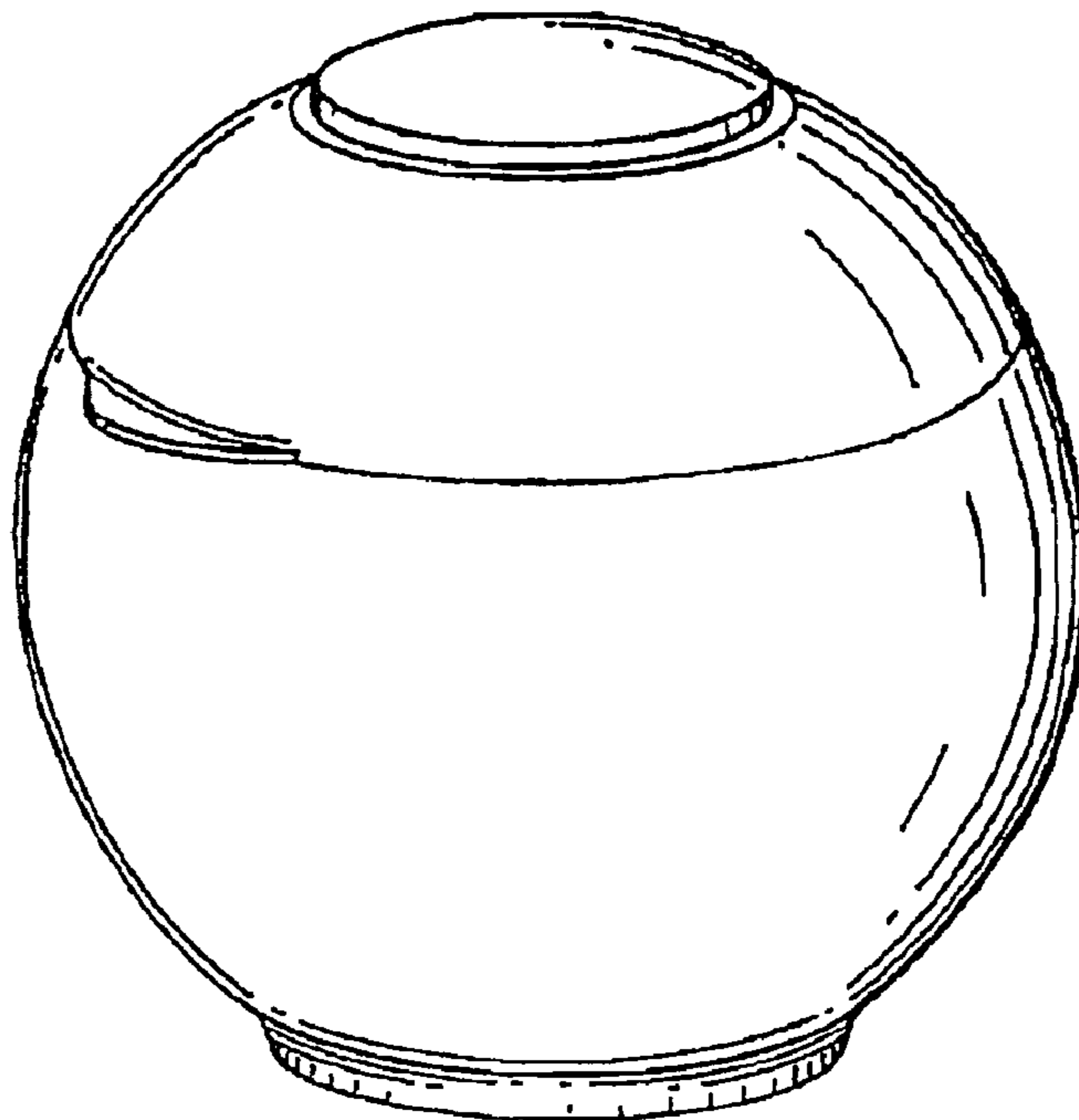
FIG. 6 is a top planar view with the top cover in a closed position of the confectionery container of FIG. 1.

FIG. 7 is a bottom planar view of the confectionery container of FIG. 1; and,

FIG. 8 is a front elevational view of the confectionery container of FIG. 1.

The broken lines shown in FIG. 7 represent the bounds of the claimed design and form no part of the claimed design.

1 Claim, 6 Drawing Sheets



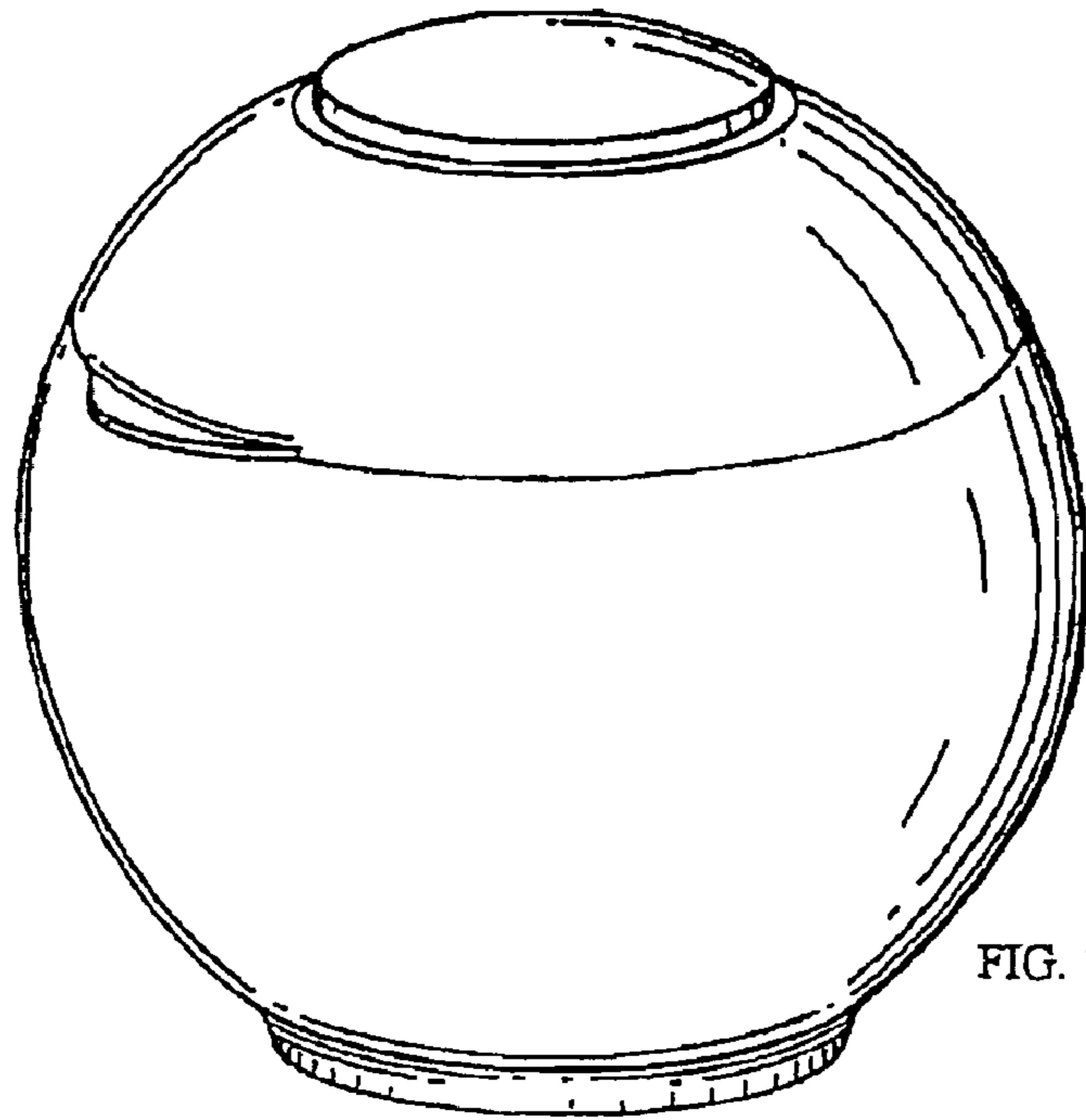


FIG. 1

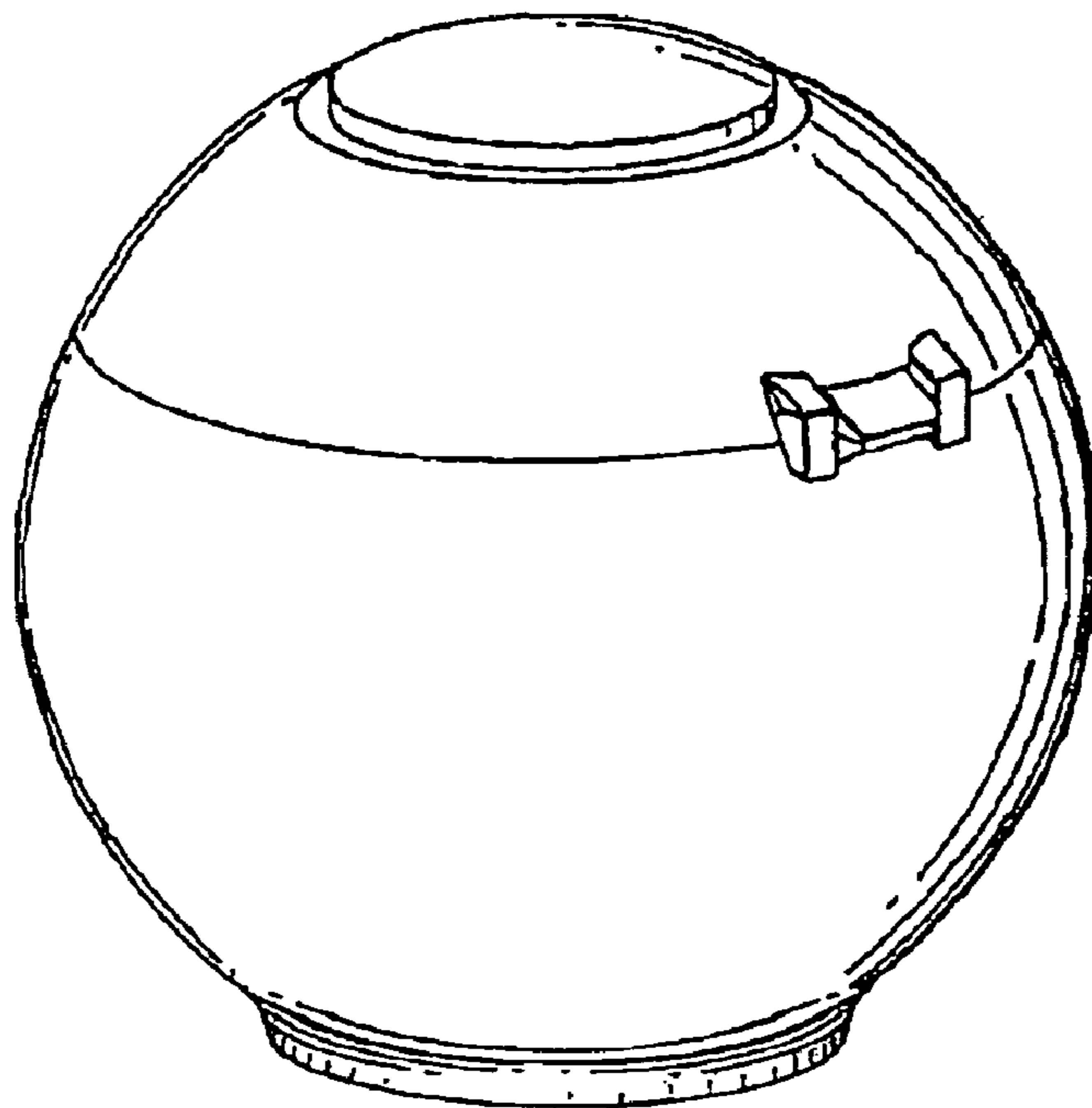


FIG. 2

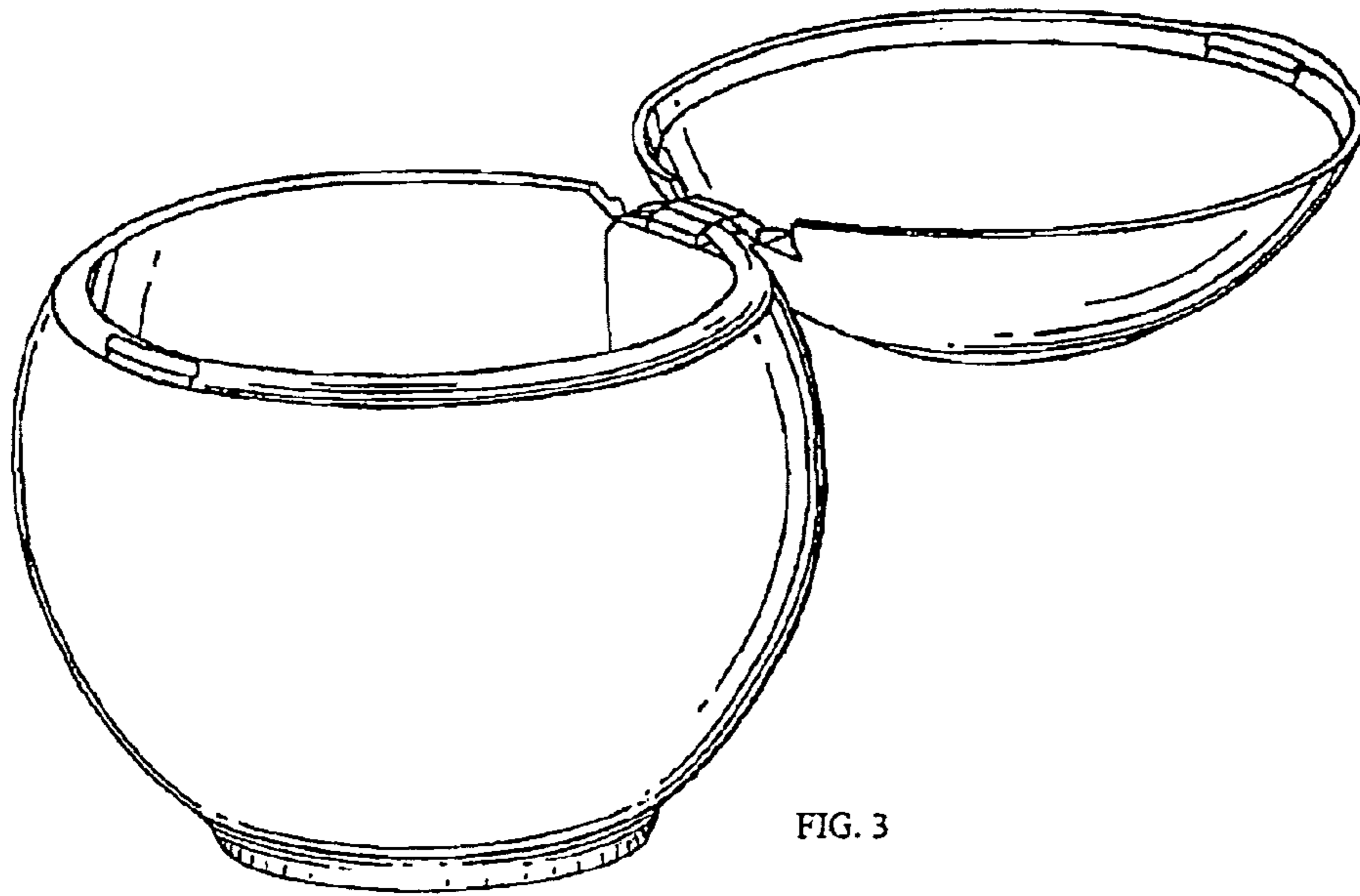


FIG. 3

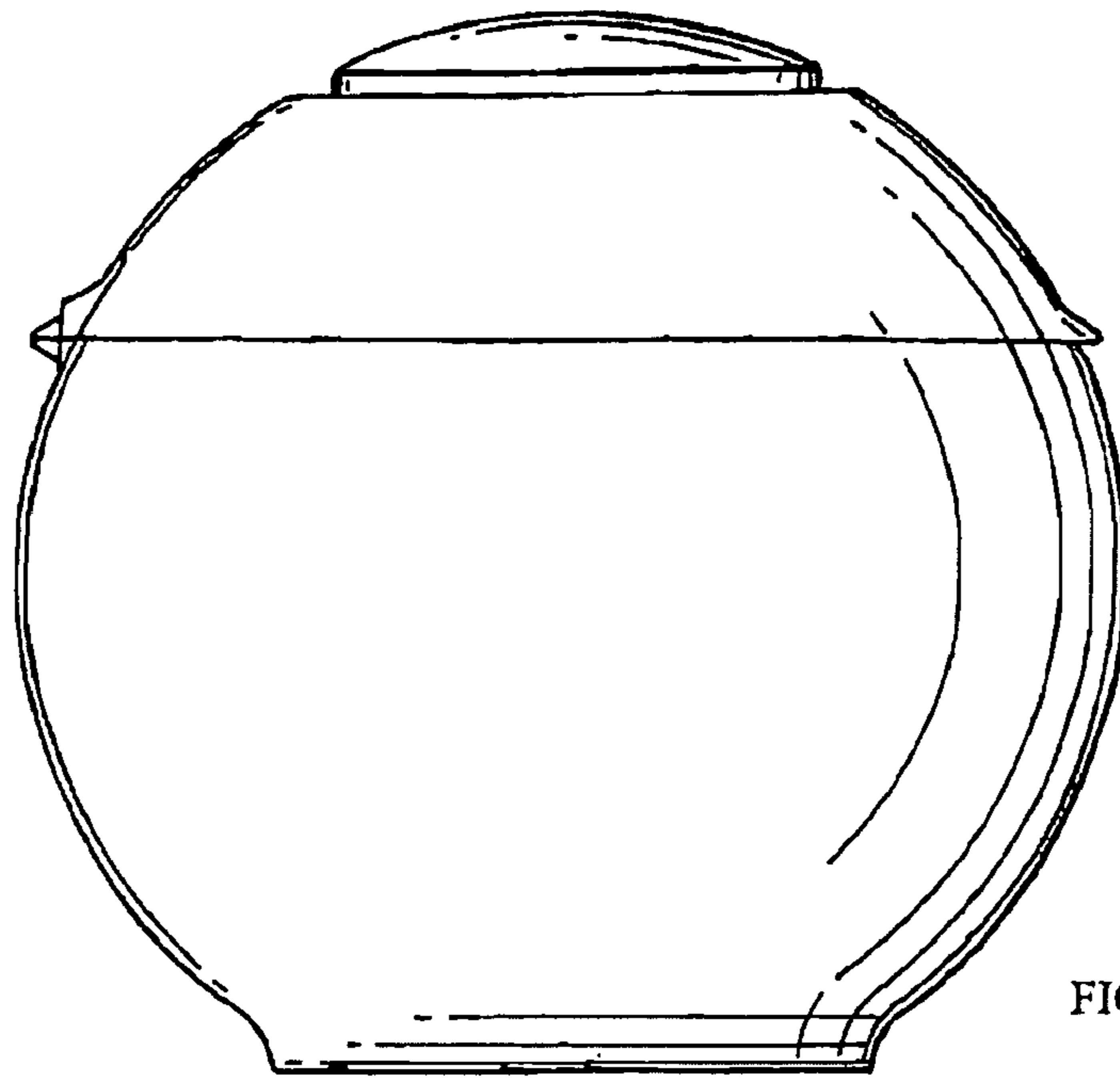


FIG. 4

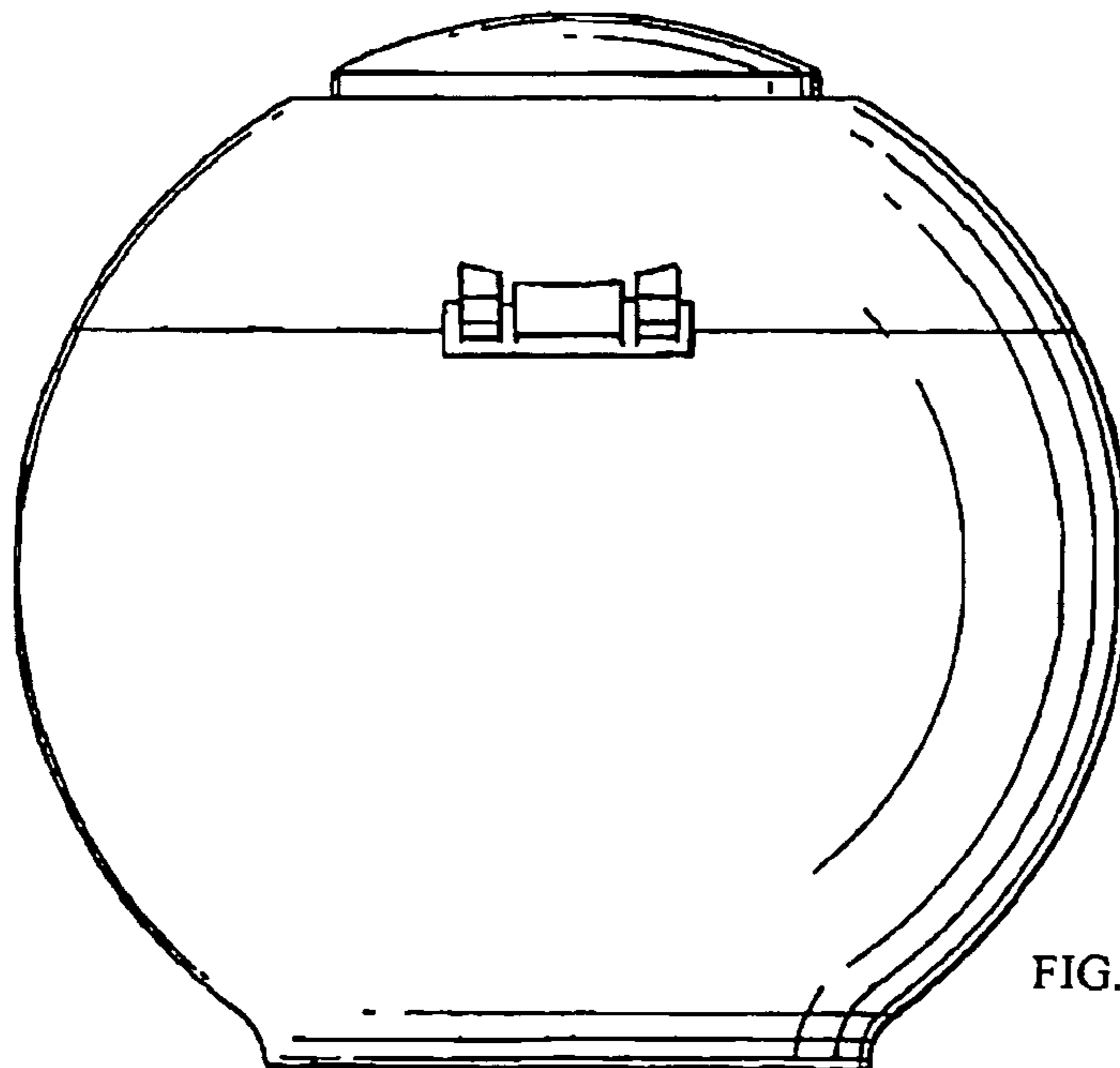


FIG. 5

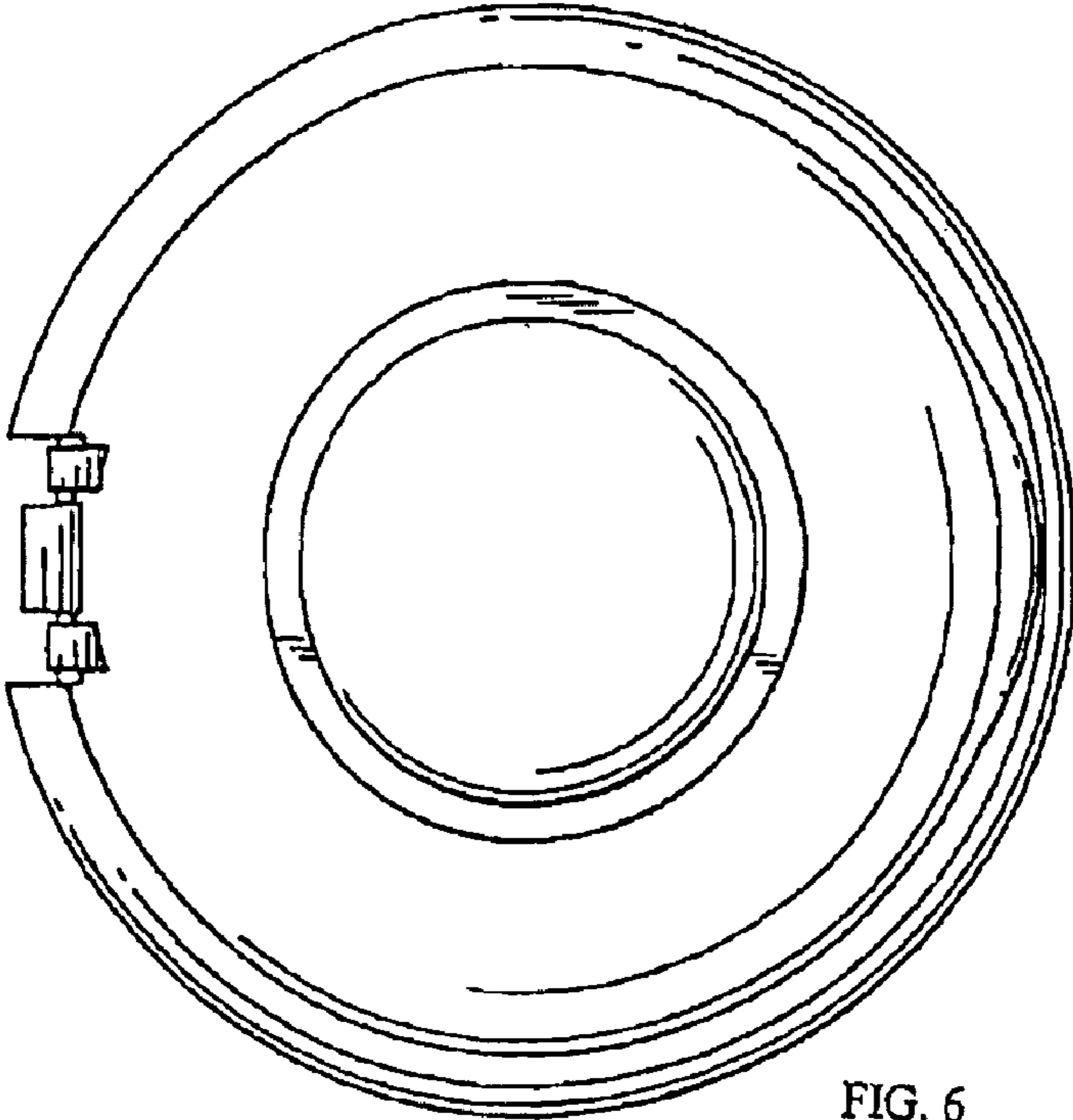


FIG. 6

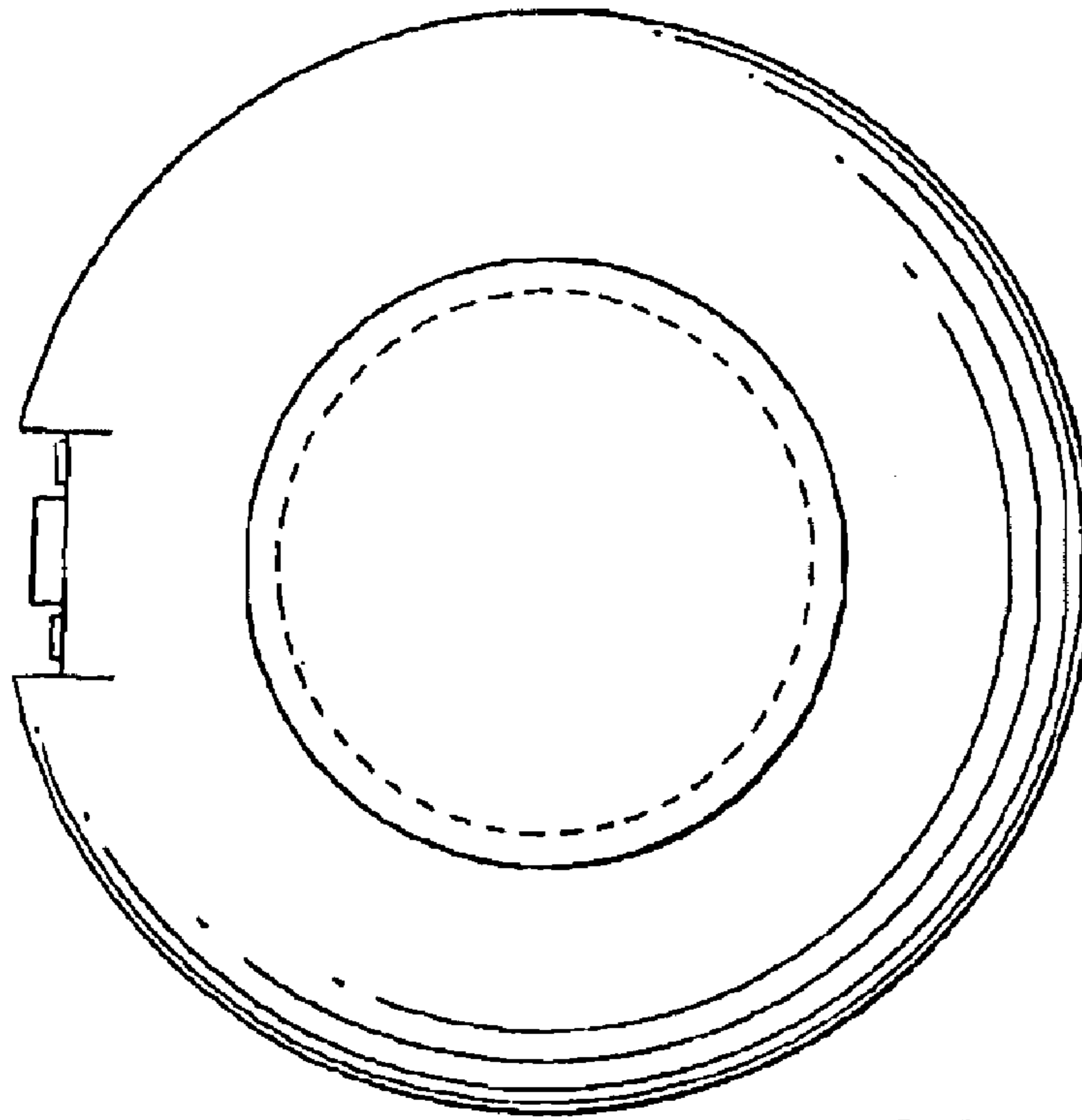


FIG. 7

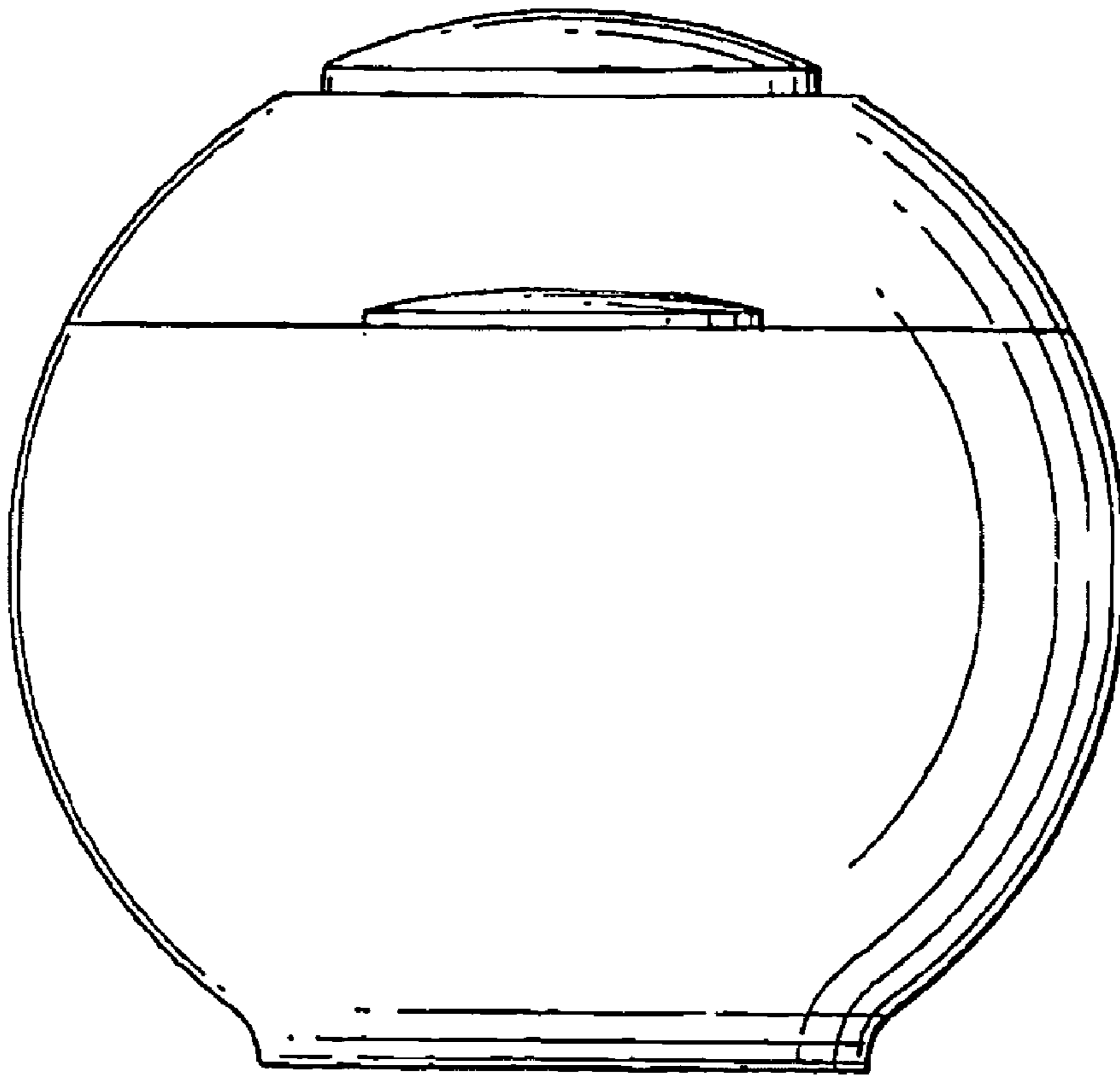


FIG. 8