



US00D572533S

(12) **United States Design Patent**  
**Mansfield et al.**

(10) **Patent No.:** **US D572,533 S**  
(45) **Date of Patent:** **\*\* Jul. 8, 2008**

(54) **DRINKING CUP**

(76) Inventors: **Bryan D. Mansfield**, c/o Hurricane Shooters, LLC, 2306 60th Dr. East, Bradenton, FL (US) 34203; **Ricky R. Lambert**, c/o Hurricane Shooters, LLC, 2306 60th Dr. East, Bradenton, FL (US) 34203

(\*\*) Term: **14 Years**

(21) Appl. No.: **29/282,360**

(22) Filed: **Jul. 17, 2007**

**Related U.S. Application Data**

(63) Continuation-in-part of application No. 11/294,640, filed on Dec. 5, 2005, which is a continuation-in-part of application No. 11/255,572, filed on Oct. 21, 2005, now Pat. No. 7,243,812.

(51) **LOC (8) Cl.** ..... **07-01**

(52) **U.S. Cl.** ..... **D7/513; D7/509; D7/523**

(58) **Field of Classification Search** ..... D7/500, D7/509, 513, 523, 396.2, 510, 524, 526-528, D7/530-532, 540, 565, 584; D9/500, 502, D9/516, 519, 549, 555, 776, 778; D30/130, 215/DIG. 7, 10, 387; 220/495.04, 560, 592.16, 220/592.17, 703, 507; 226/406; 229/400; 383/110; D24/121

See application file for complete search history.

(56) **References Cited**

**U.S. PATENT DOCUMENTS**

1,168,027 A	1/1916	Nirdlinger	
1,476,910 A	12/1923	Naugle	
1,832,585 A	11/1931	Sample	
D99,531 S	5/1936	Sterling	
D101,721 S	10/1936	Spinelli	
D105,812 S *	8/1937	Siekert	..... D30/130
D122,576 S *	9/1940	Steinhilber	..... D7/557
2,288,044 A	6/1942	Stemme	
2,493,633 A	1/1950	Mart	
D167,667 S	9/1952	Babany	

D222,375 S	10/1971	Bencik	
3,784,052 A	1/1974	Edwards	
3,804,281 A	4/1974	Eckdahl	
4,395,015 A	7/1983	Reardon	
4,410,085 A	10/1983	Beneziat	
D287,885 S	1/1987	Bolduc	
D291,620 S	9/1987	Porchia	
D304,514 S	11/1989	Veziarian	
D304,658 S	11/1989	Mattei	
D310,941 S	10/1990	Carty	
5,405,030 A	4/1995	Frazier	
D360,112 S *	7/1995	McEntee	..... D7/584
D363,854 S	11/1995	Katz	
D397,915 S	9/1998	McNaughton	
D400,398 S	11/1998	McNaughton	
6,138,862 A	10/2000	Tai	
6,421,890 B1	7/2002	Biggar	
D471,404 S *	3/2003	Gady	..... D7/523
6,644,846 B2	11/2003	Willat	
D488,741 S *	4/2004	Moya	..... D11/143
D527,224 S *	8/2006	Roth et al.	..... D7/540

(Continued)

**OTHER PUBLICATIONS**

McNaughton, Inc., "Mix It Up," Beer, Wine & Spirits Beverage Retailer, May/Jun. 1998, p. 40. Downloaded from Eastern District of Texas Case 2:07-cv-00273-CE via Pacer.

(Continued)

*Primary Examiner*—Gary D. Watson  
*Assistant Examiner*—Cynthia Underwood

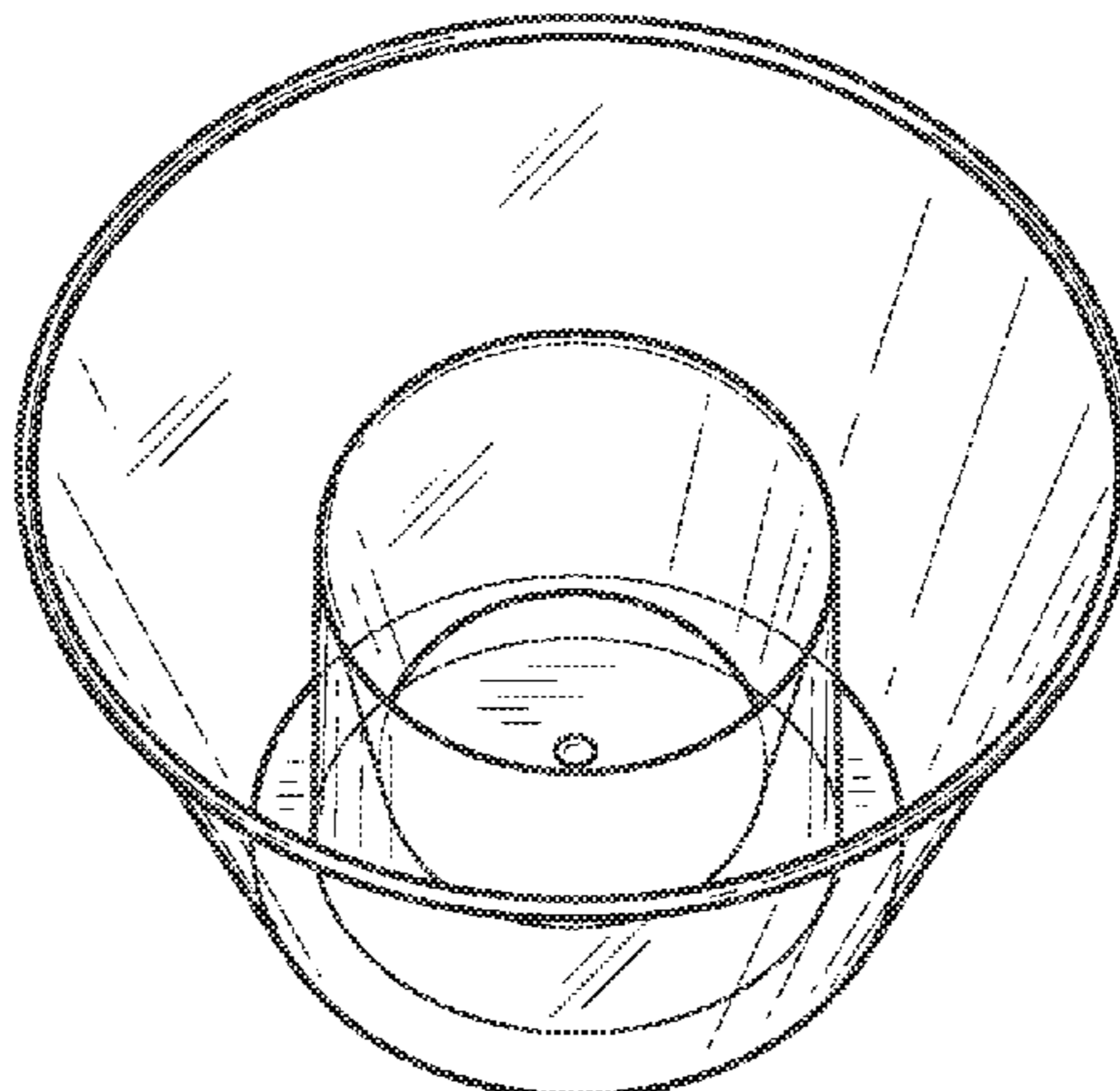
(57) **CLAIM**

We claim the ornamental design for a drinking cup, as shown and described.

**DESCRIPTION**

FIG. 1 is a top view of a drinking cup showing my new design; FIG. 2 is a sectional view thereof taken along line 2—2 of FIG. 1; and, FIG. 3 is a top and side perspective view thereof.

**1 Claim, 2 Drawing Sheets**



# US D572,533 S

Page 2

---

## U.S. PATENT DOCUMENTS

D539,091 S \* 3/2007 Mansfield ..... D7/513  
D543,664 S \* 5/2007 Farrell ..... D30/121  
7,243,812 B2 7/2007 Mansfield  
D555,979 S \* 11/2007 Mansfield et al. .... D7/523  
D556,511 S \* 12/2007 Mansfield et al. .... D7/523  
D562,074 S \* 2/2008 Mansfield ..... D7/523  
2006/0021986 A1 2/2006 Mansfield  
2006/0169700 A1 8/2006 Mansfield

## OTHER PUBLICATIONS

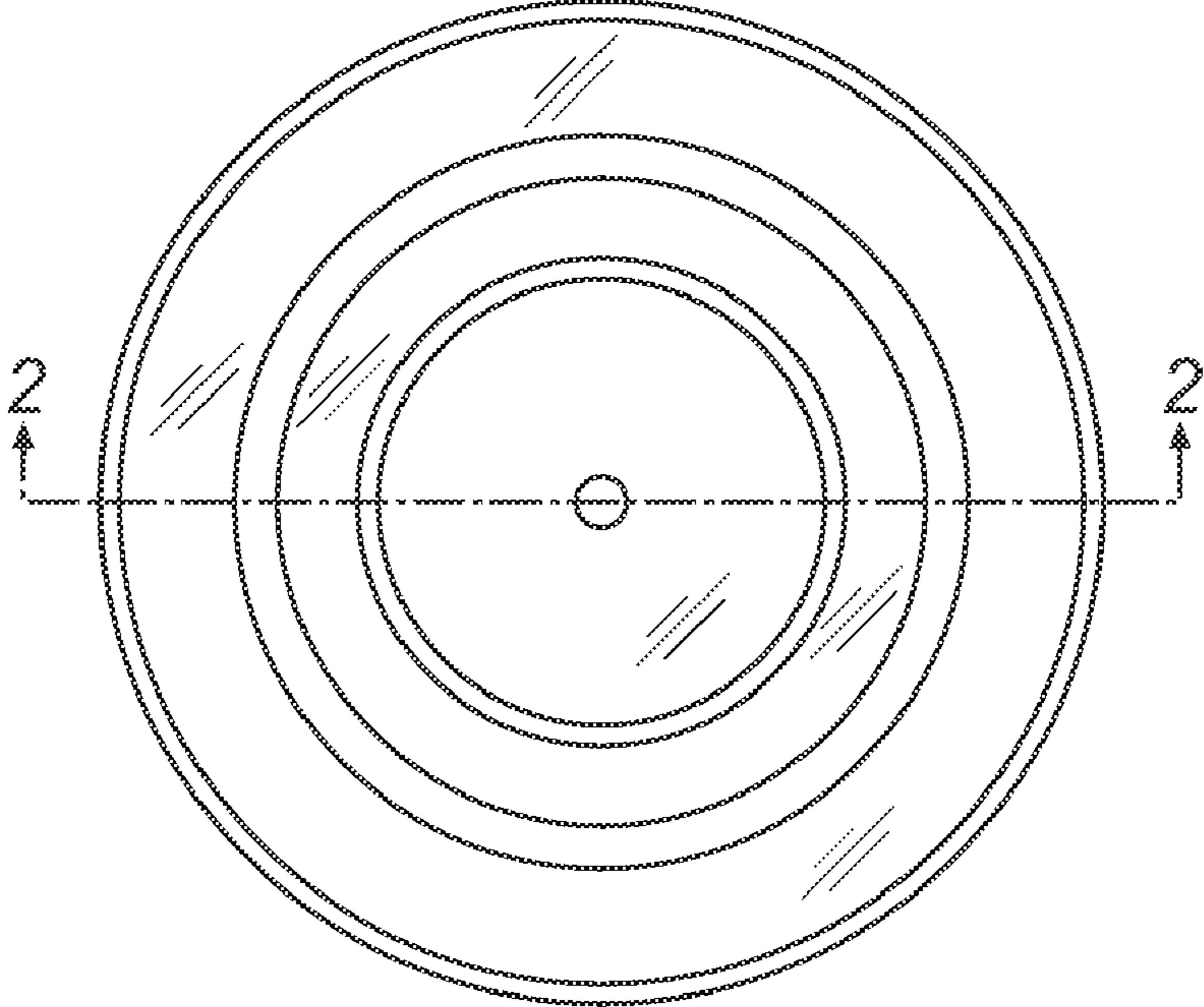
Hurricane Shooters, LLC, Nightclub & Bar Magazine, Mar. 2005, p. 84, USA Available to the public about Feb. 10, 2005. Exhibited at a Las Vegas, NV, USA show on Mar. 1, 2005.

Bombshells, LLC, Bombshell Datasheet [online] [retrieved on Nov. 16, 2005] Retrieved from the Internet: <URL: <http://bombshells.info/advantages.html>> 3 pages Domain registered Feb. 25, 2005.

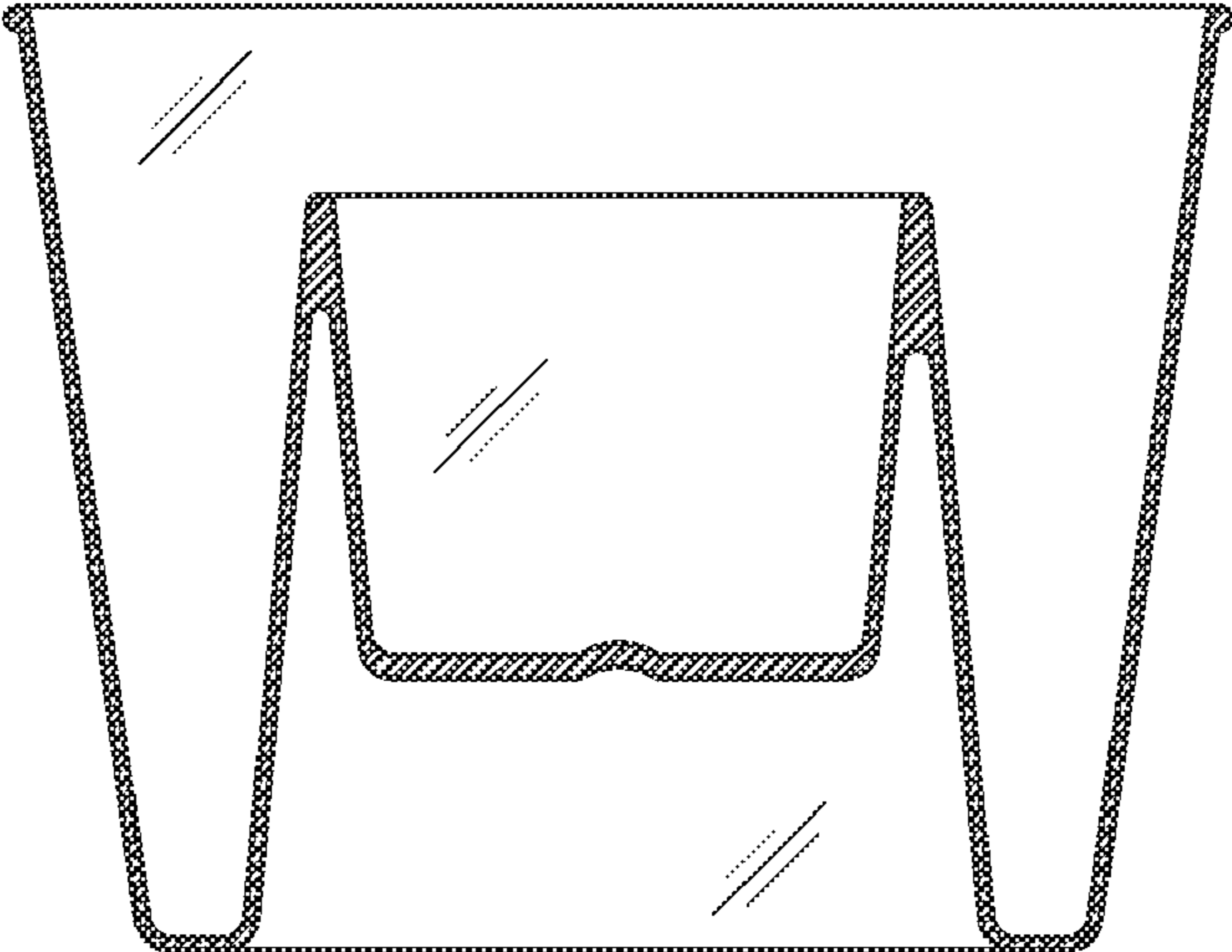
By George, LLC, Disposabomb Datasheet [online] [retrieved on Nov. 16, 2005] Retrieved from the Internet: <URL <http://www.disposabomb.com/home.htm>> 1 page Domain registered May 13, 2005.

Hurricane Shooters, LLC, Bomber Datasheet [online] [Retrieved on Nov. 22, 2005] Retrieved from the Internet: <URL [www.hurricaneshooters.com/products.php](http://www.hurricanesshooters.com/products.php)> 1 page Domain registered Nov. 24, 2004.

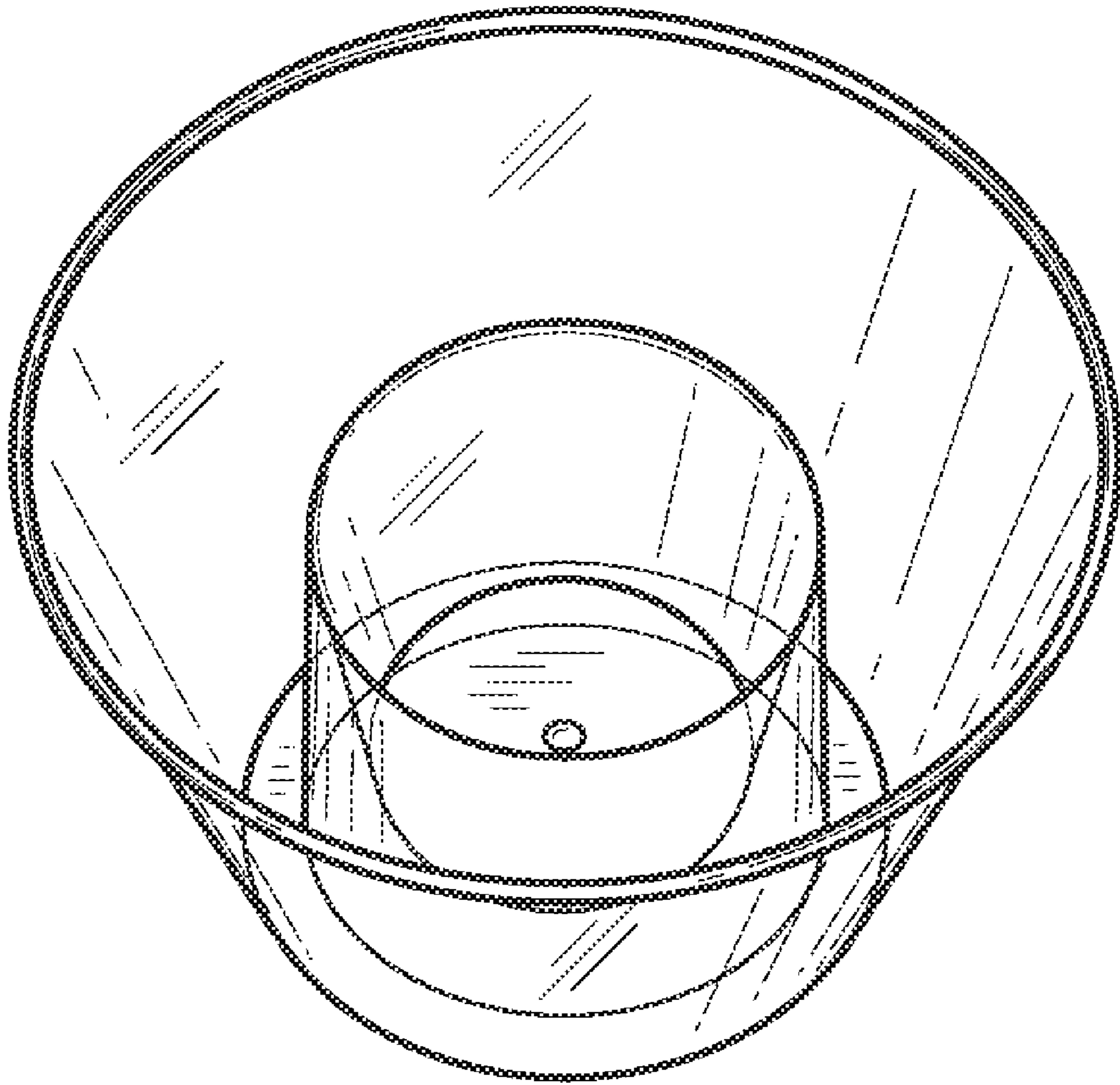
\* cited by examiner



**FIG. 1**



**FIG. 2**



**FIG. 3**