



US00D572526S

(12) **United States Design Patent**
Martin et al.

(10) **Patent No.:** **US D572,526 S**

(45) **Date of Patent:** **** Jul. 8, 2008**

(54) **PORTION OF AN APPLIANCE**

(75) Inventors: **Robert H. Martin**, Anderson, SC (US);
Roberto Pezzetta, Porcia (IT); **Kent**
Allen Stephen Crookshanks, Anderson,
SC (US); **Vittorio Cascianelli**,
Anderson, SC (US)

(73) Assignee: **Electrolux Home Products, Inc.**,
Cleveland, OH (US)

(**) Term: **14 Years**

(21) Appl. No.: **29/282,687**

(22) Filed: **Jul. 26, 2007**

(51) **LOC (8) Cl.** **07-02**

(52) **U.S. Cl.** **D7/405**

(58) **Field of Classification Search** D7/339-341,
D7/346-349, 402, 405-407; 126/21 A, 21 R,
126/39 B, 30 R, 273 A; 219/391-394
See application file for complete search history.

(56) **References Cited**

U.S. PATENT DOCUMENTS

6,050,176	A *	4/2000	Schultheis et al.	126/39 R
6,263,869	B1 *	7/2001	Abernethy	126/39 B
D462,866	S *	9/2002	Resuello et al.	D7/346
D482,931	S *	12/2003	Staebler et al.	D7/407
D506,637	S *	6/2005	Tanaka	D7/346

D508,366	S *	8/2005	Wilsdorf	D7/346
D509,095	S *	9/2005	Grutzke et al.	D7/346
D509,988	S *	9/2005	Grutzke et al.	D7/346
D511,641	S *	11/2005	Kim	D7/346
D511,927	S *	11/2005	Grutzke et al.	D7/346

* cited by examiner

Primary Examiner—Robert A. Delehanty

Assistant Examiner—Mark Cavanna

(74) *Attorney, Agent, or Firm*—Banner & Witcoff, Ltd.

(57) **CLAIM**

The ornamental design for a portion of an appliance, as shown and described.

DESCRIPTION

FIG. 1 is a front perspective view of a portion of an appliance showing our new design;

FIG. 2 is a front view thereof;

FIG. 3 is a left side view thereof;

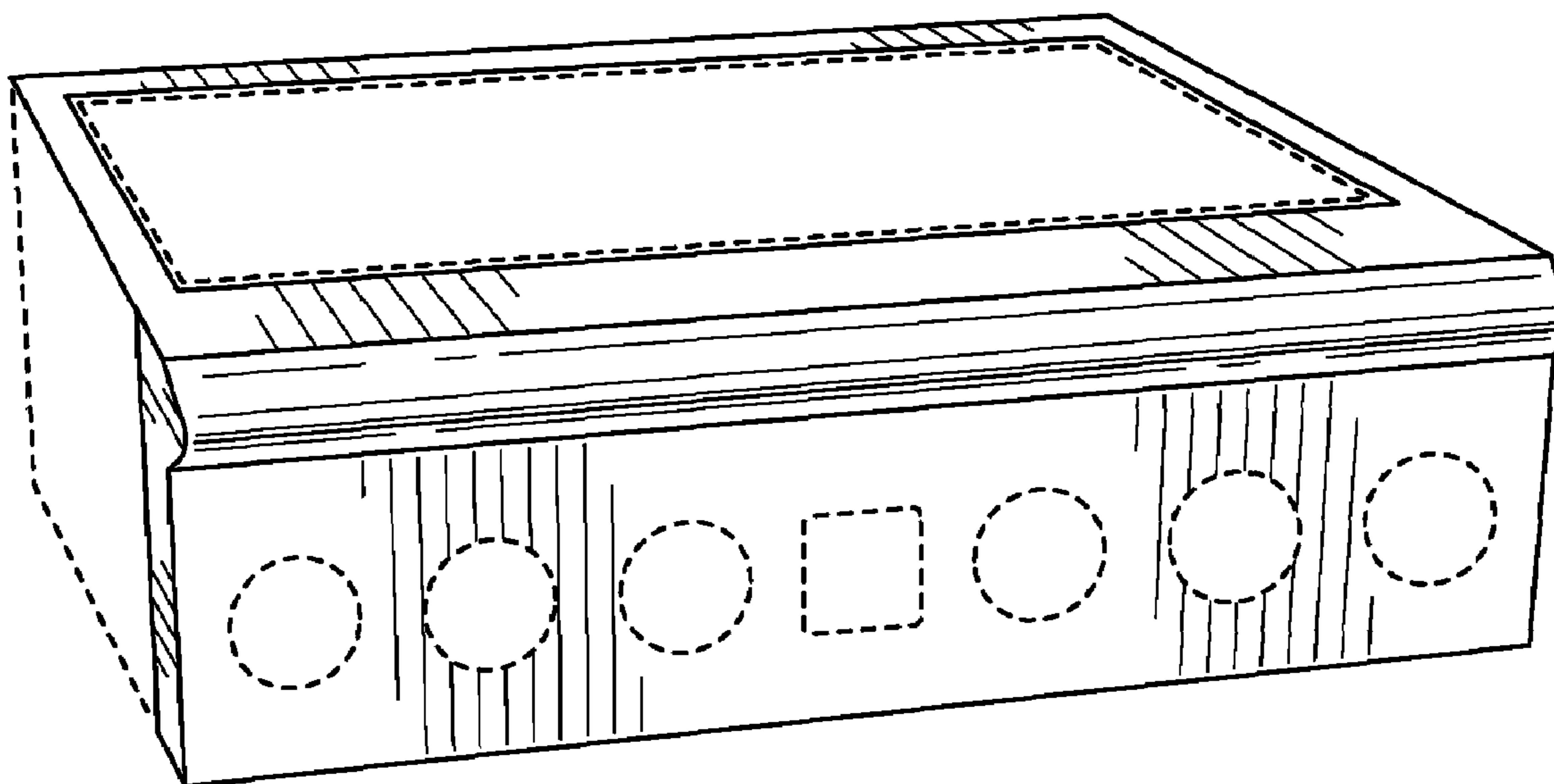
FIG. 4 is a right side view thereof;

FIG. 5 is a top side view thereof; and,

FIG. 6 is a bottom view thereof.

The broken line showing of various regions, including the unshaded areas therein, is for illustrative purposes and forms no part of the claimed design.

1 Claim, 4 Drawing Sheets



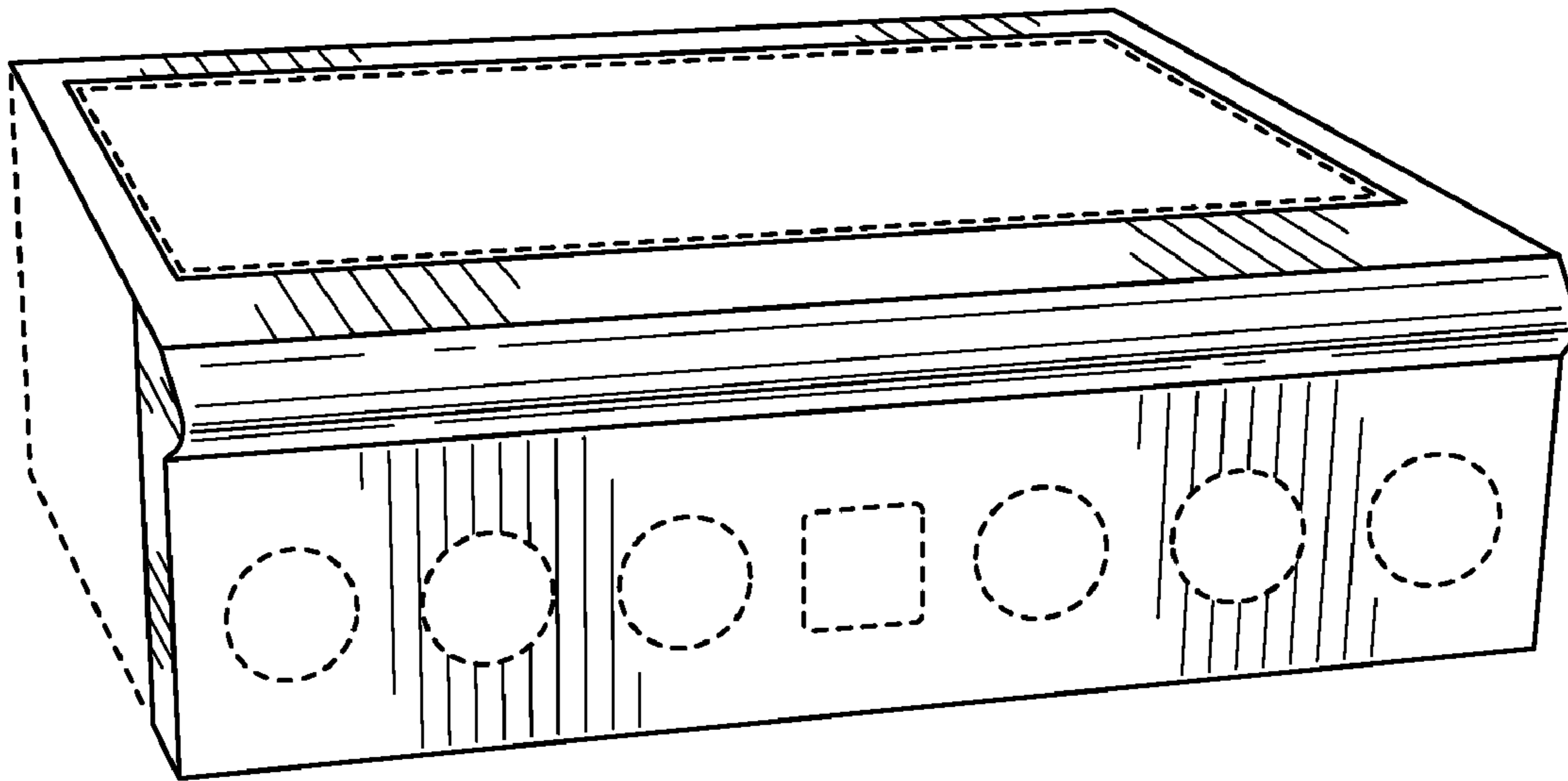


FIG. 1

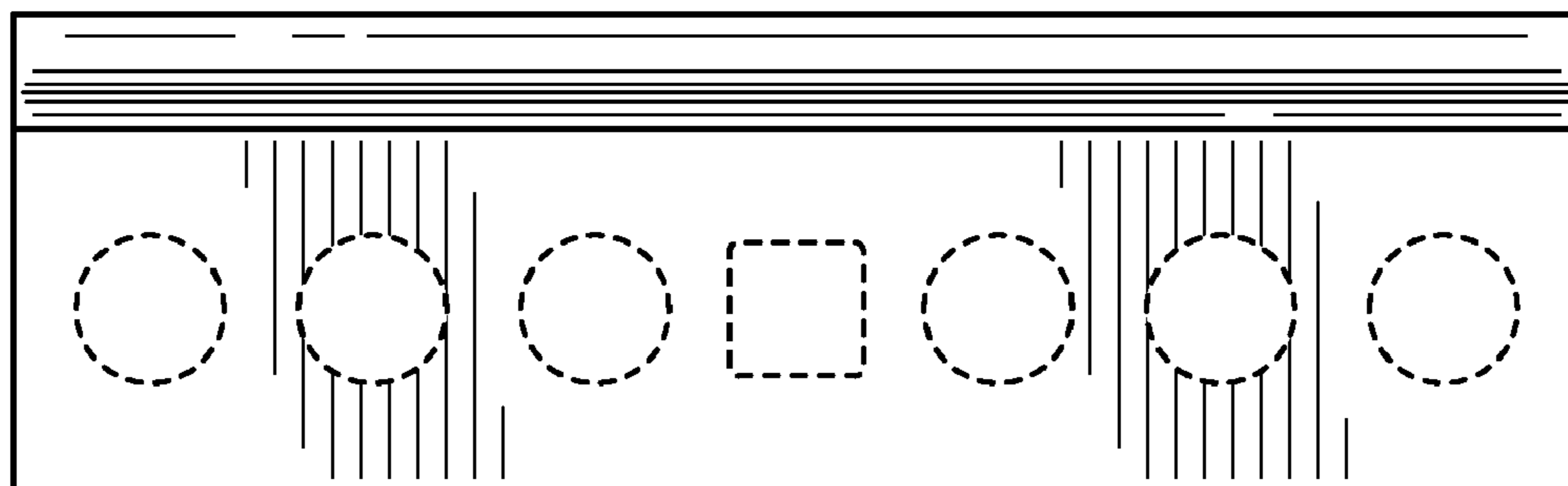


FIG. 2

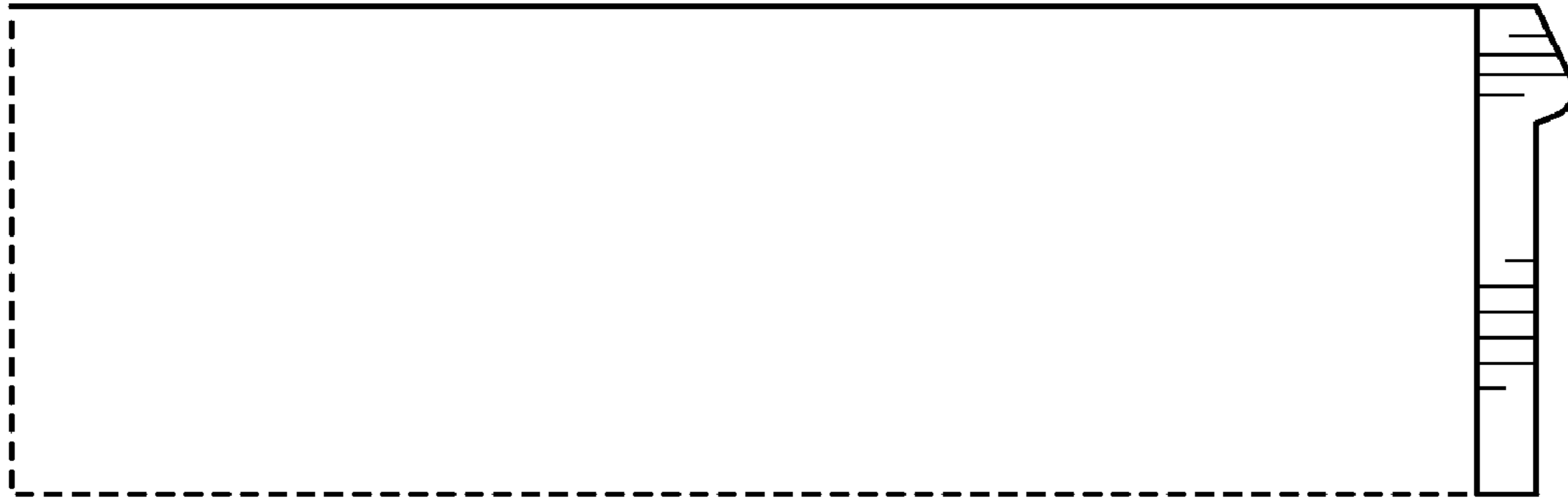


FIG. 3



FIG. 4

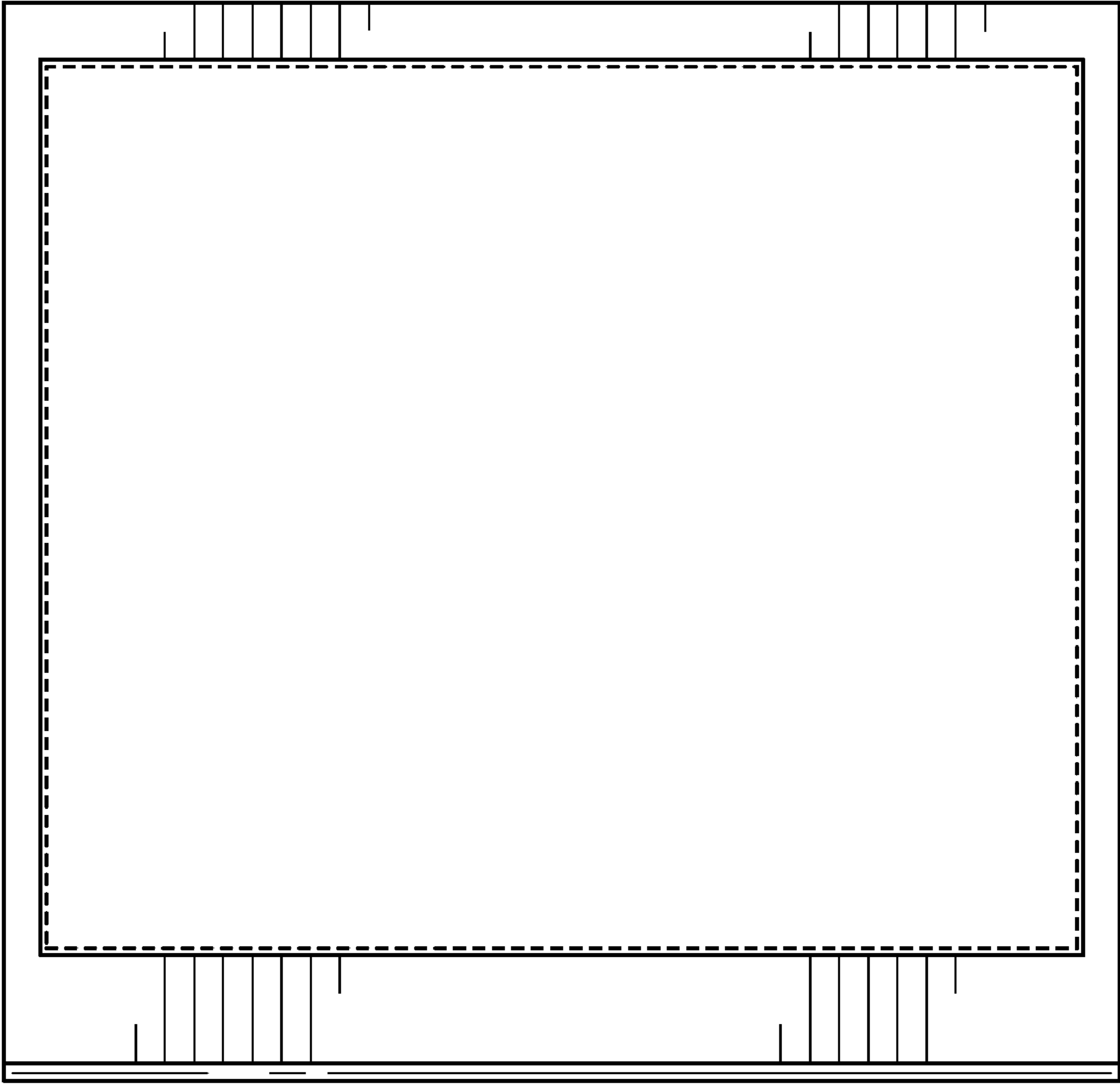


FIG. 5

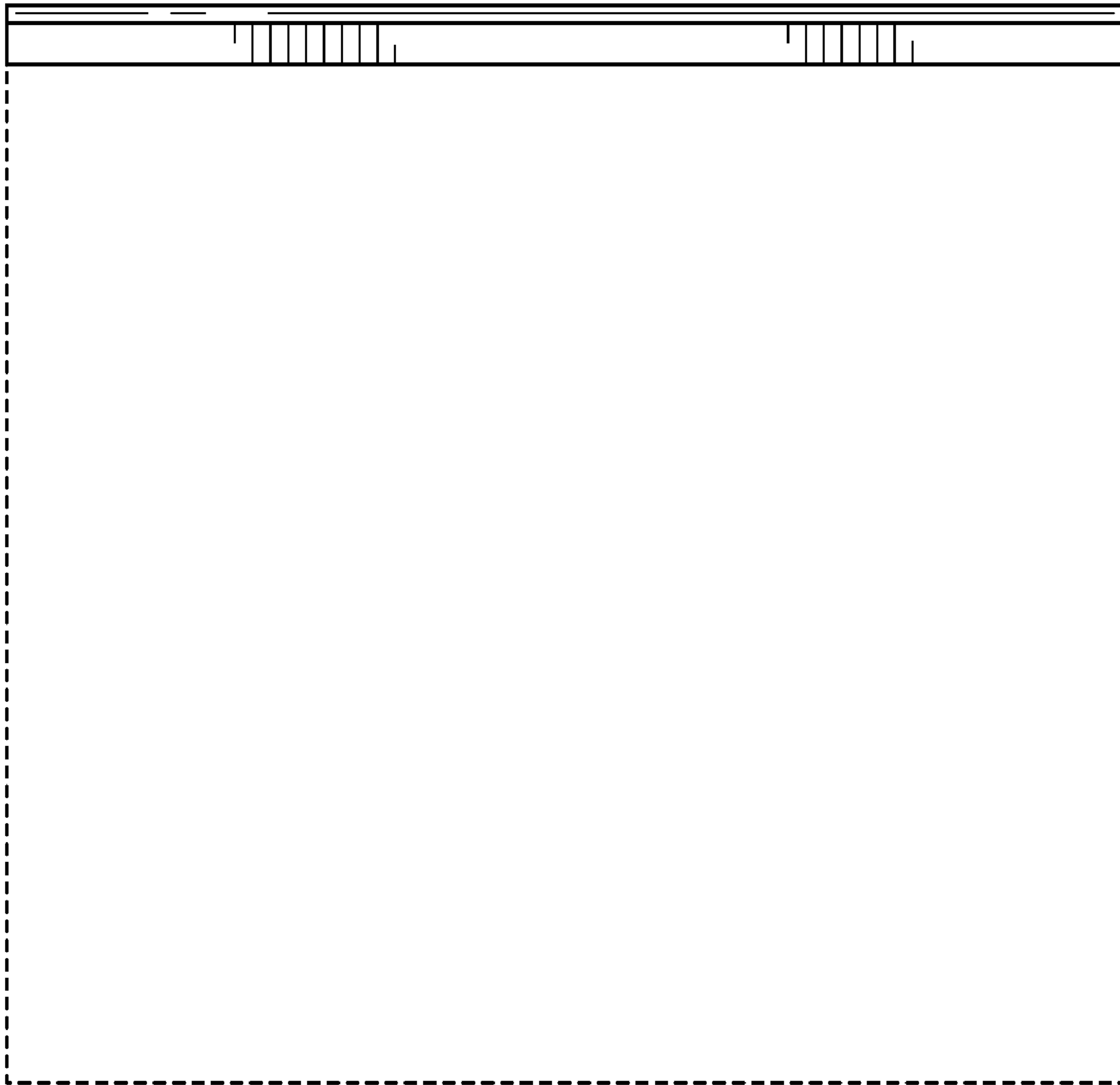


FIG. 6