



US00D572521S

(12) **United States Design Patent**  
**Bergara**

(10) **Patent No.:** **US D572,521 S**

(45) **Date of Patent:** **\*\* Jul. 8, 2008**

(54) **PRESSURE COOKER**

(75) Inventor: **Anartz Bergara**, Lazkao (ES)

(73) Assignee: **Fagor, S. Coop.**, Mondragon (ES)

(\*\*) Term: **14 Years**

(21) Appl. No.: **29/291,046**

(22) Filed: **Aug. 13, 2007**

(30) **Foreign Application Priority Data**

Mar. 5, 2007 (EM) ..... 000681523-0001

(51) **LOC (8) Cl.** ..... **07-02**

(52) **U.S. Cl.** ..... **D7/358**

(58) **Field of Classification Search** ..... D7/323,  
D7/354-361; 99/324, 325, 329 R, 330-339;  
220/203.01, 203.07, 303, 573.1  
See application file for complete search history.

(56) **References Cited**

**U.S. PATENT DOCUMENTS**

- D253,867 S \* 1/1980 Boldt et al. .... D7/358
- 4,257,394 A \* 3/1981 Zabel ..... 126/374.1
- D263,782 S \* 4/1982 Jackson et al. .... D7/358
- D295,817 S \* 5/1988 Sebillothe ..... D7/358
- D312,751 S \* 12/1990 Moreno ..... D7/358
- D353,969 S \* 1/1995 Savinel ..... D7/358
- D365,494 S \* 12/1995 Roussard ..... D7/358

- D384,547 S \* 10/1997 Roussard et al. .... D7/358
- D432,349 S \* 10/2000 Jo ..... D7/358
- D433,273 S \* 11/2000 Roussard ..... D7/358
- D455,600 S \* 4/2002 Barrena ..... D7/358
- D530,145 S \* 10/2006 Bergara ..... D7/358
- D530,974 S \* 10/2006 Bergara ..... D7/358

**FOREIGN PATENT DOCUMENTS**

CH 621252 A5 \* 1/1981

\* cited by examiner

*Primary Examiner*—Caron D. Veynar

*Assistant Examiner*—Ricky Pham

(74) *Attorney, Agent, or Firm*—The Kline Law Firm

(57) **CLAIM**

The ornamental design for a pressure cooker, as shown.

**DESCRIPTION**

FIG. 1 is a perspective view of the pressure cooker showing my new design.

FIG. 2 is a rear elevational view of the pressure cooker.

FIG. 3 is a front elevational view of the pressure cooker.

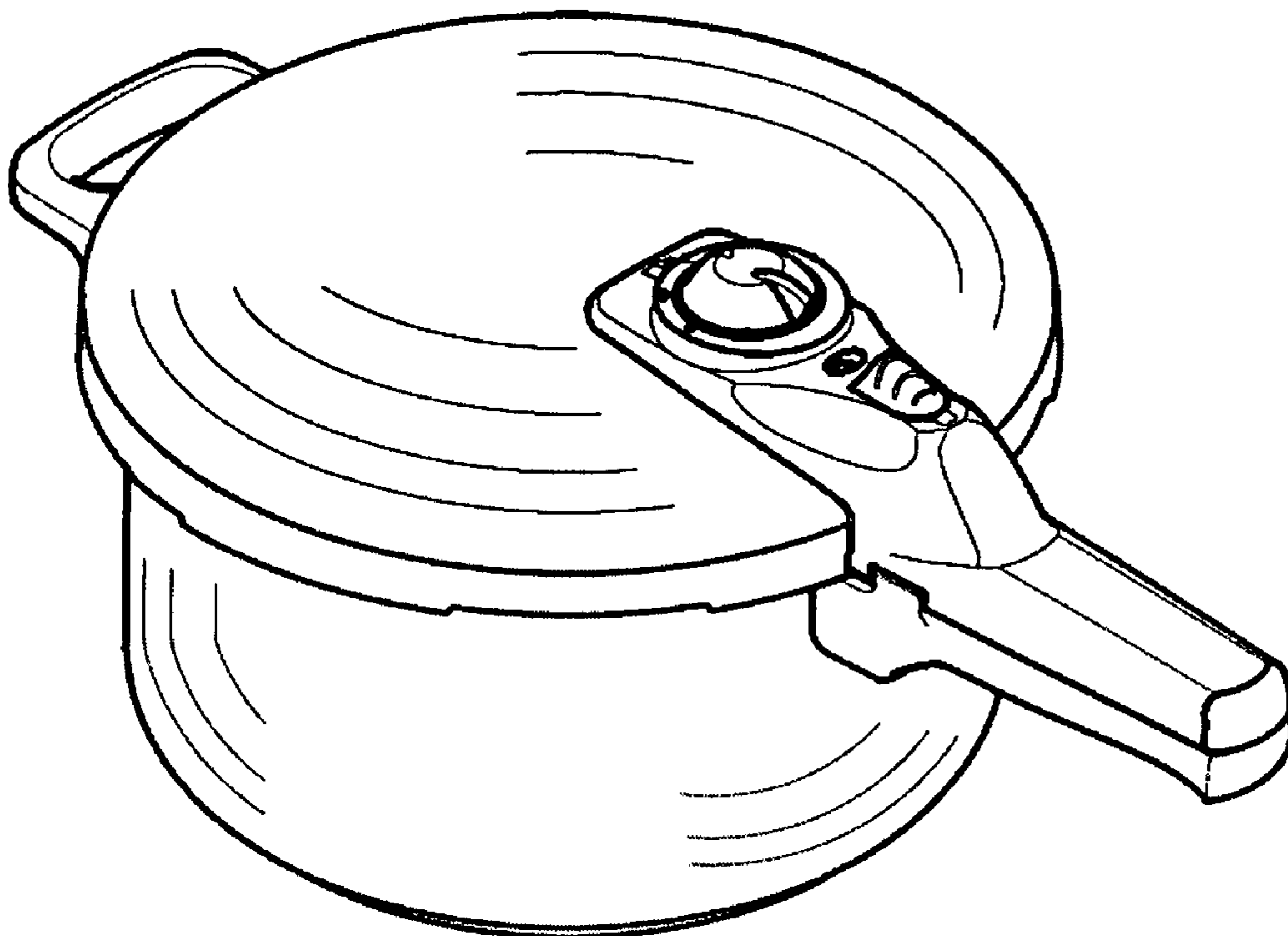
FIG. 4 is a top plan view of the pressure cooker.

FIG. 5 is a bottom plan view of the pressure cooker.

FIG. 6 is a right elevational view of the pressure cooker; and,

FIG. 7 is a left elevational view of the pressure cooker.

**1 Claim, 7 Drawing Sheets**



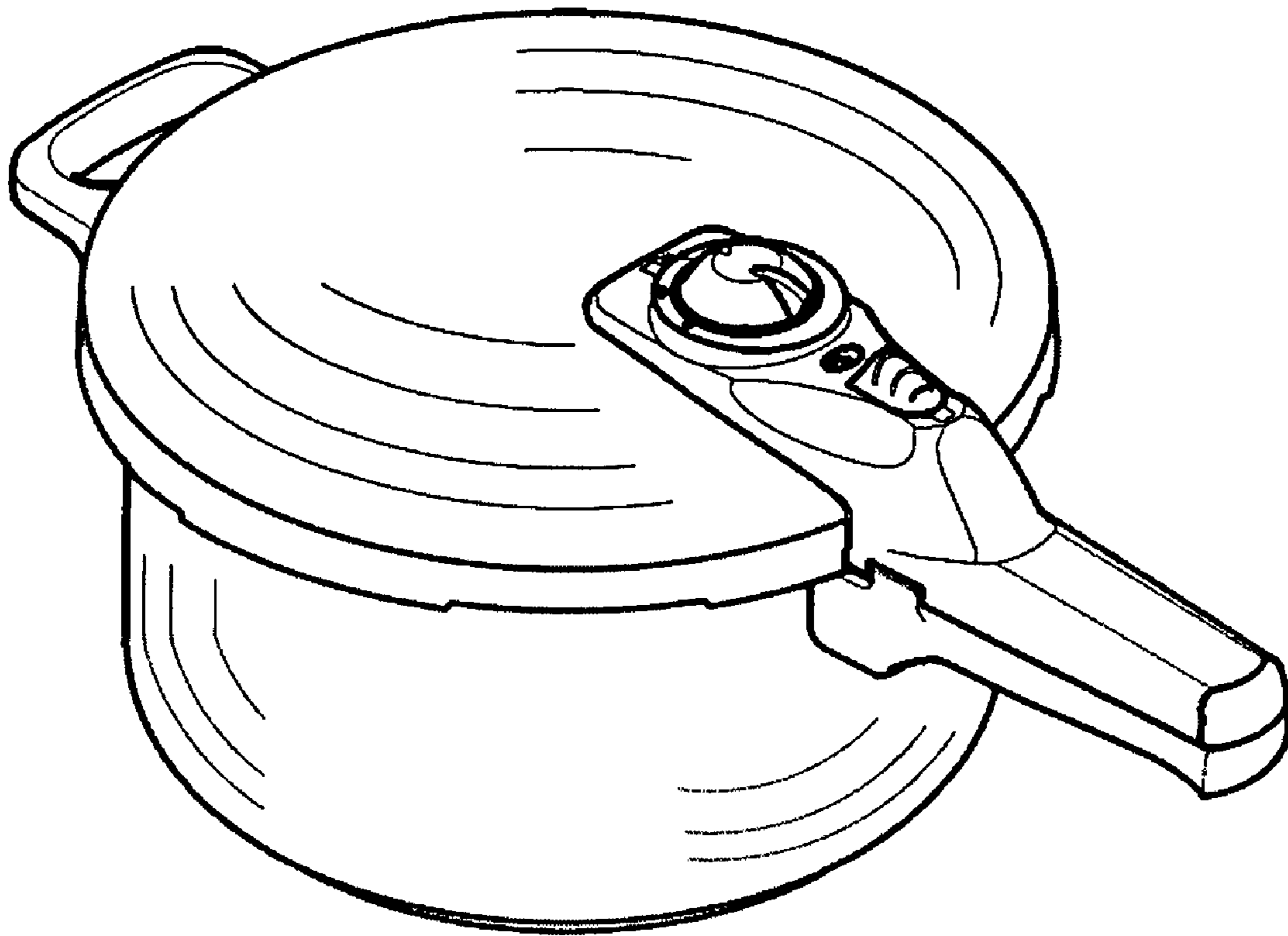


Fig. 1

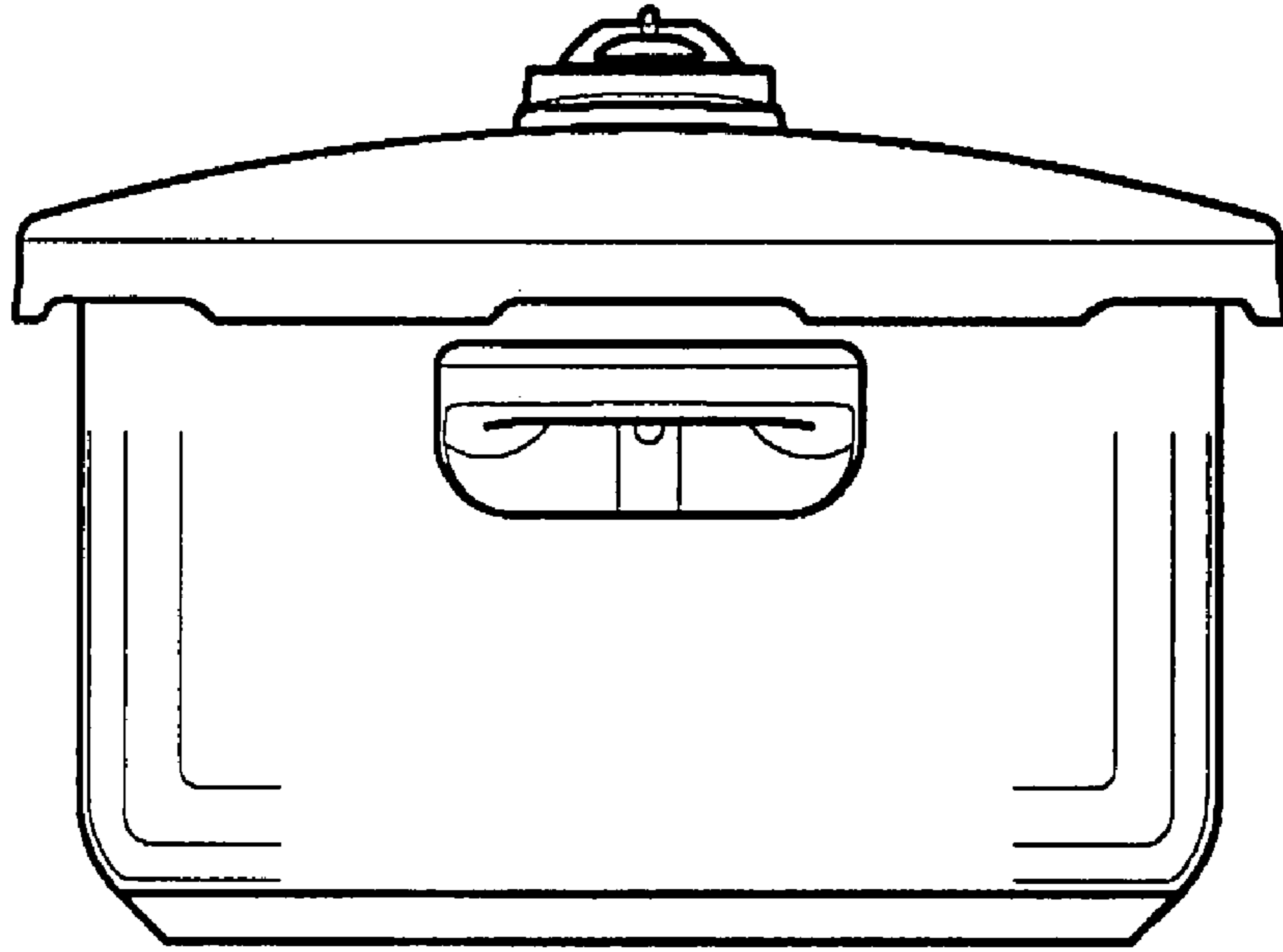
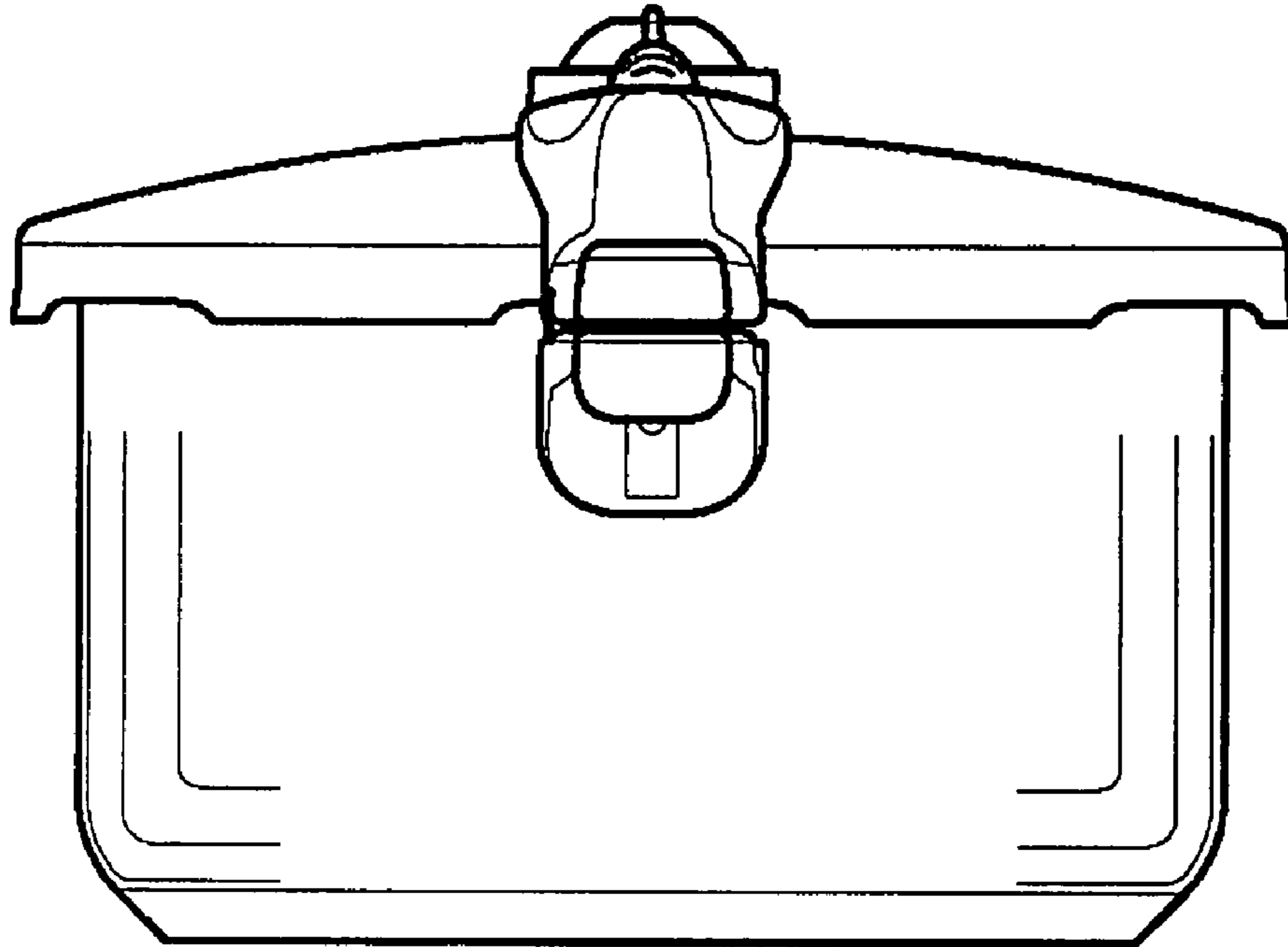


Fig. 2



**Fig. 3**

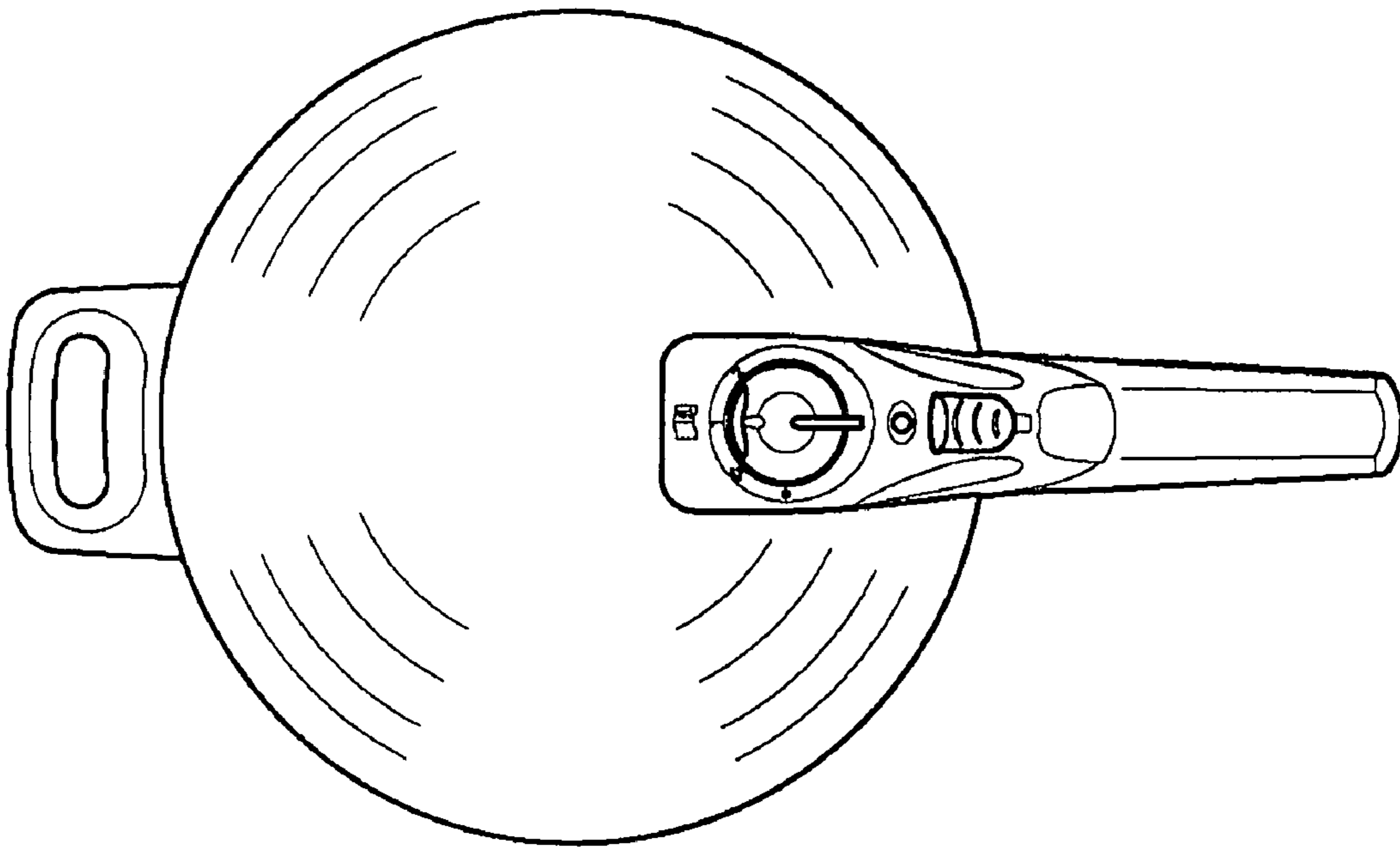


Fig. 4

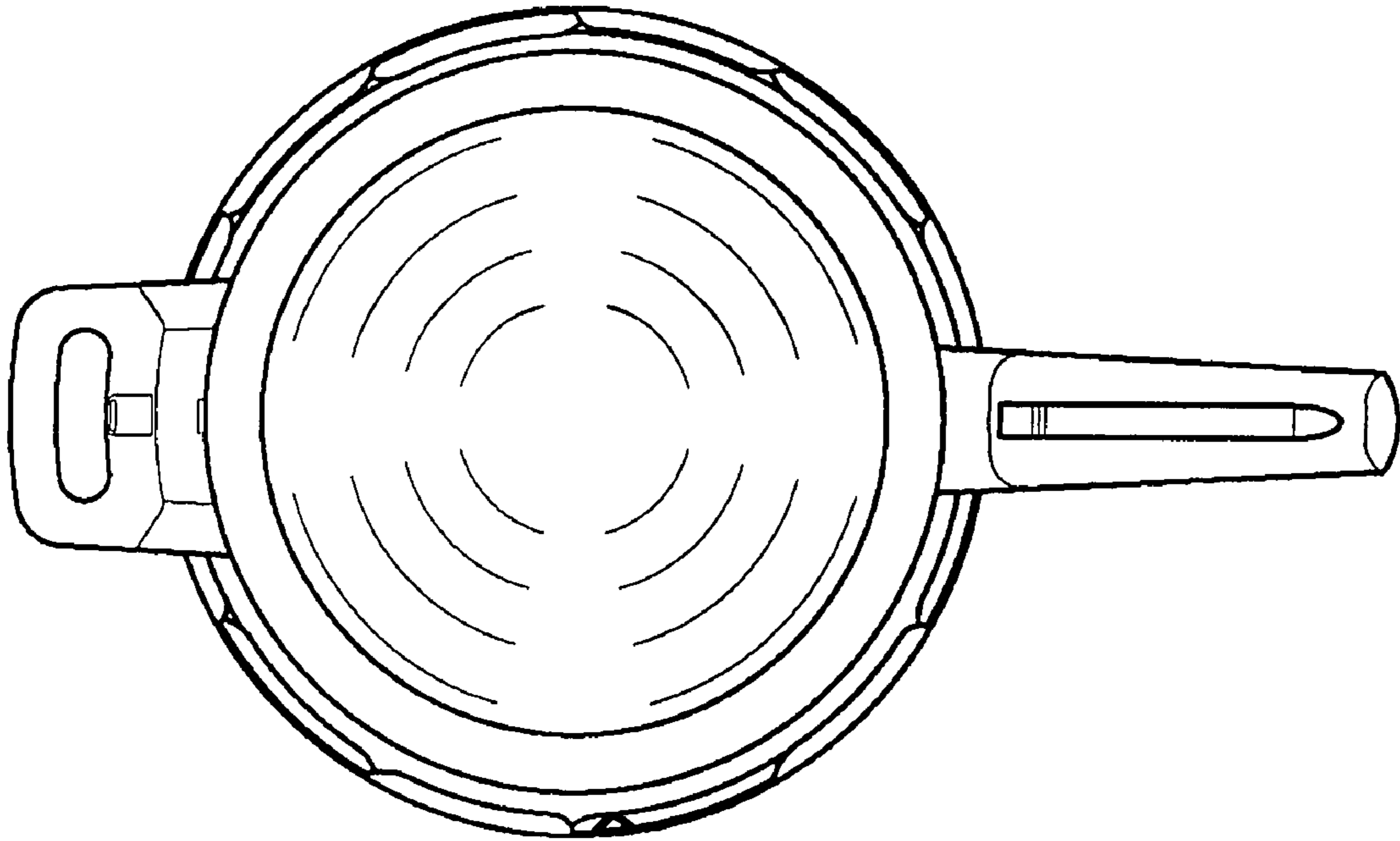


Fig. 5

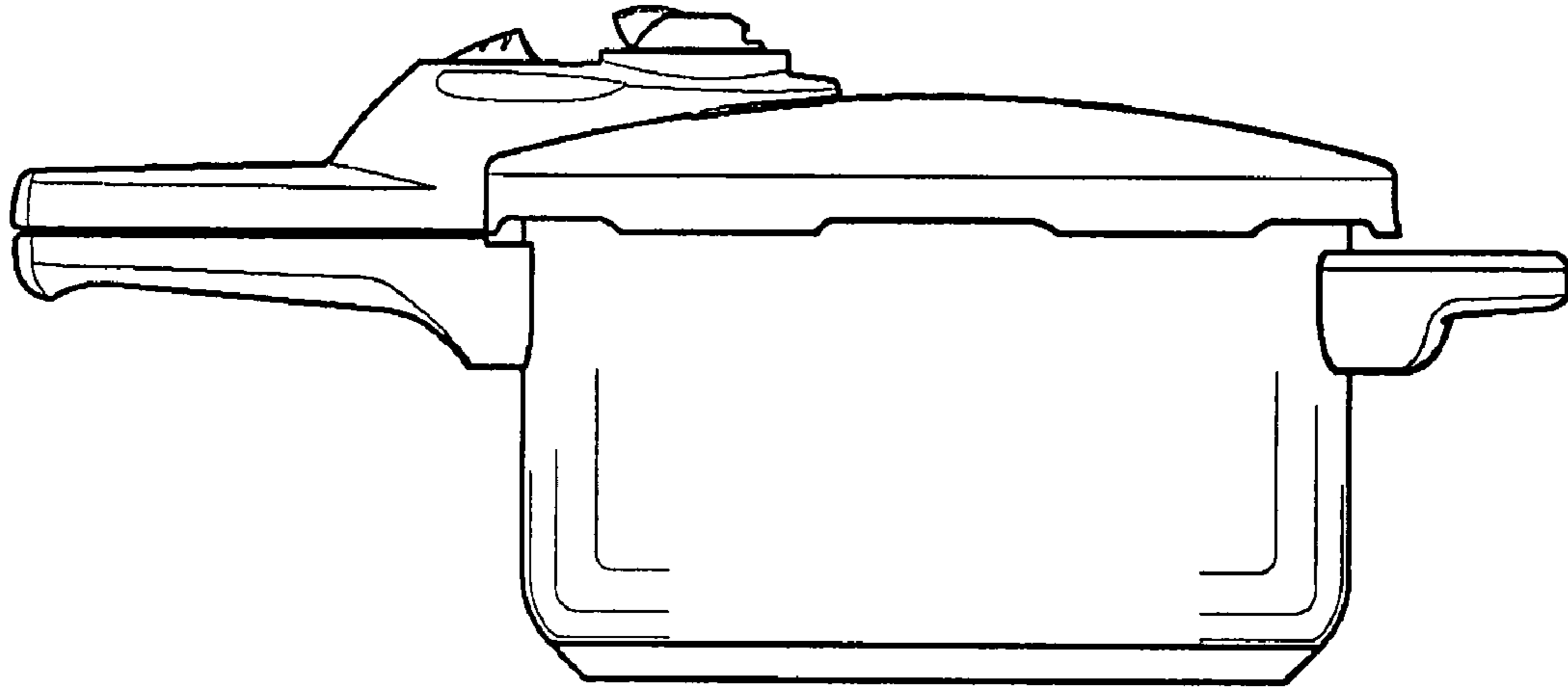


Fig. 6

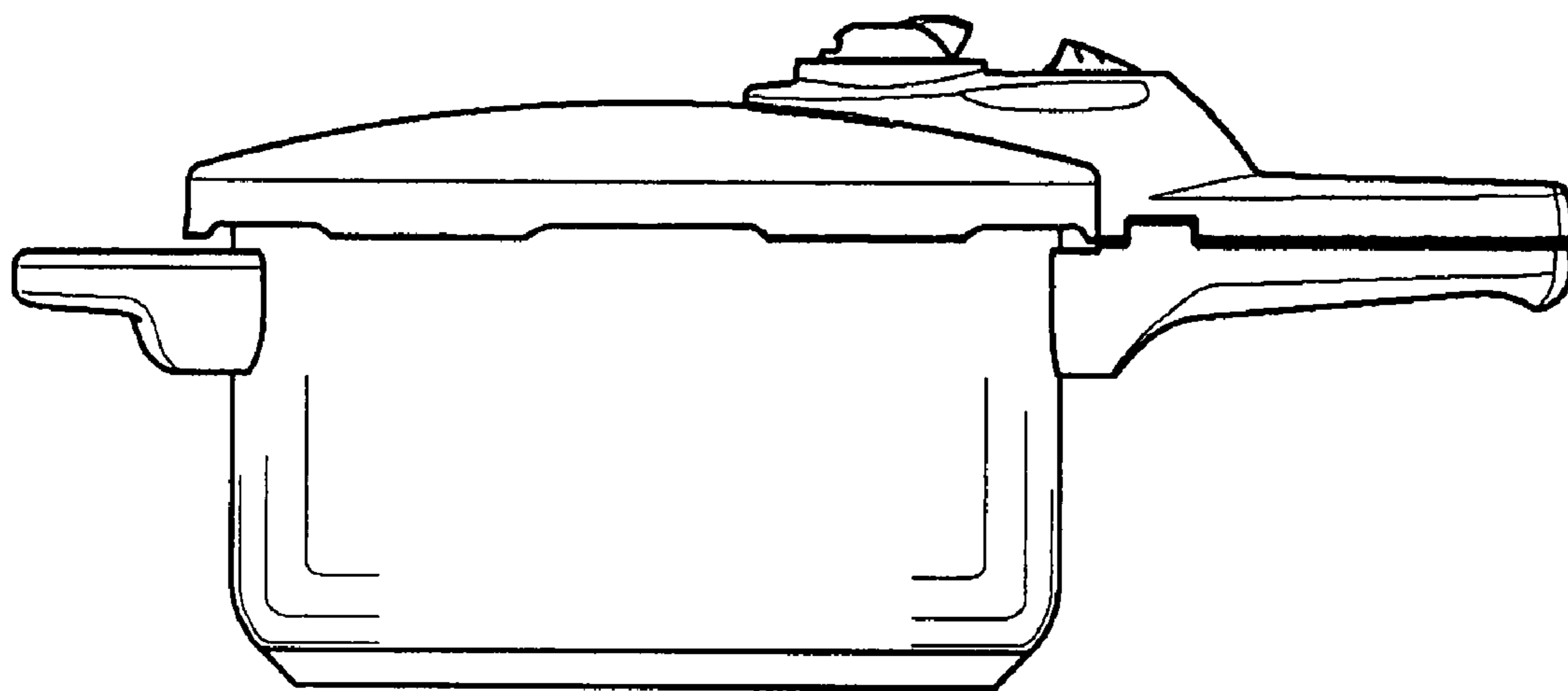


Fig. 7