



US00D572520S

(12) **United States Design Patent**
Lion et al.

(10) **Patent No.:** **US D572,520 S**
(45) **Date of Patent:** **** Jul. 8, 2008**

(54) **BAKING CUP**

(75) Inventors: **Mathieu Lion**, Paris (FR); **Anne Tanguy**, Paris (FR)

(73) Assignee: **Mastrad SA**, Paris (FR)

(**) Term: **14 Years**

(21) Appl. No.: **29/250,263**

(22) Filed: **Nov. 8, 2006**

(51) **LOC (8) Cl.** **07-02**

(52) **U.S. Cl.** **D7/354**

(58) **Field of Classification Search** D1/101-105,
D1/116, 118, 122; D6/450-451, 480-489;
D7/323, 354-361, 396.2, 400, 500, 503, 506-509,
D7/515, 523, 532, 554.1-554.2, 556, 565-566,
D7/585, 602, 630; D9/428-429, 643, 721;
D11/149, 152-154; D21/623, 627, 593-594;
D24/227, 230; D26/9, 20, 22; D34/39; 206/524.6;
220/671-673, 713; 426/104, 143
See application file for complete search history.

(56) **References Cited**

U.S. PATENT DOCUMENTS

D209,311 S * 11/1967 Schilling D7/523
D263,447 S * 3/1982 Brown D9/721
5,071,060 A * 12/1991 DeFelice 229/403

D325,112 S * 4/1992 Thompson D1/118
D342,447 S * 12/1993 Aylward D9/429
D367,413 S * 2/1996 Ballin D8/34
D458,807 S * 6/2002 Trazzi D7/532
D465,154 S * 11/2002 O'Brien D9/428
D480,269 S * 10/2003 Currier D7/515
D483,202 S * 12/2003 Slemmons D6/451
D491,019 S * 6/2004 Marsden et al. D7/523
D539,611 S * 4/2007 Wasserman et al. D7/586
D547,125 S * 7/2007 Wasserman et al. D7/545
2005/0211101 A1 9/2005 Finnie, II

* cited by examiner

Primary Examiner—Caron D. Veynar

Assistant Examiner—Ricky Pham

(74) *Attorney, Agent, or Firm*—Mark Montague; Cowan, Liebowitz & Latman, P.C.

(57) **CLAIM**

The ornamental design for a baking cup, as shown.

DESCRIPTION

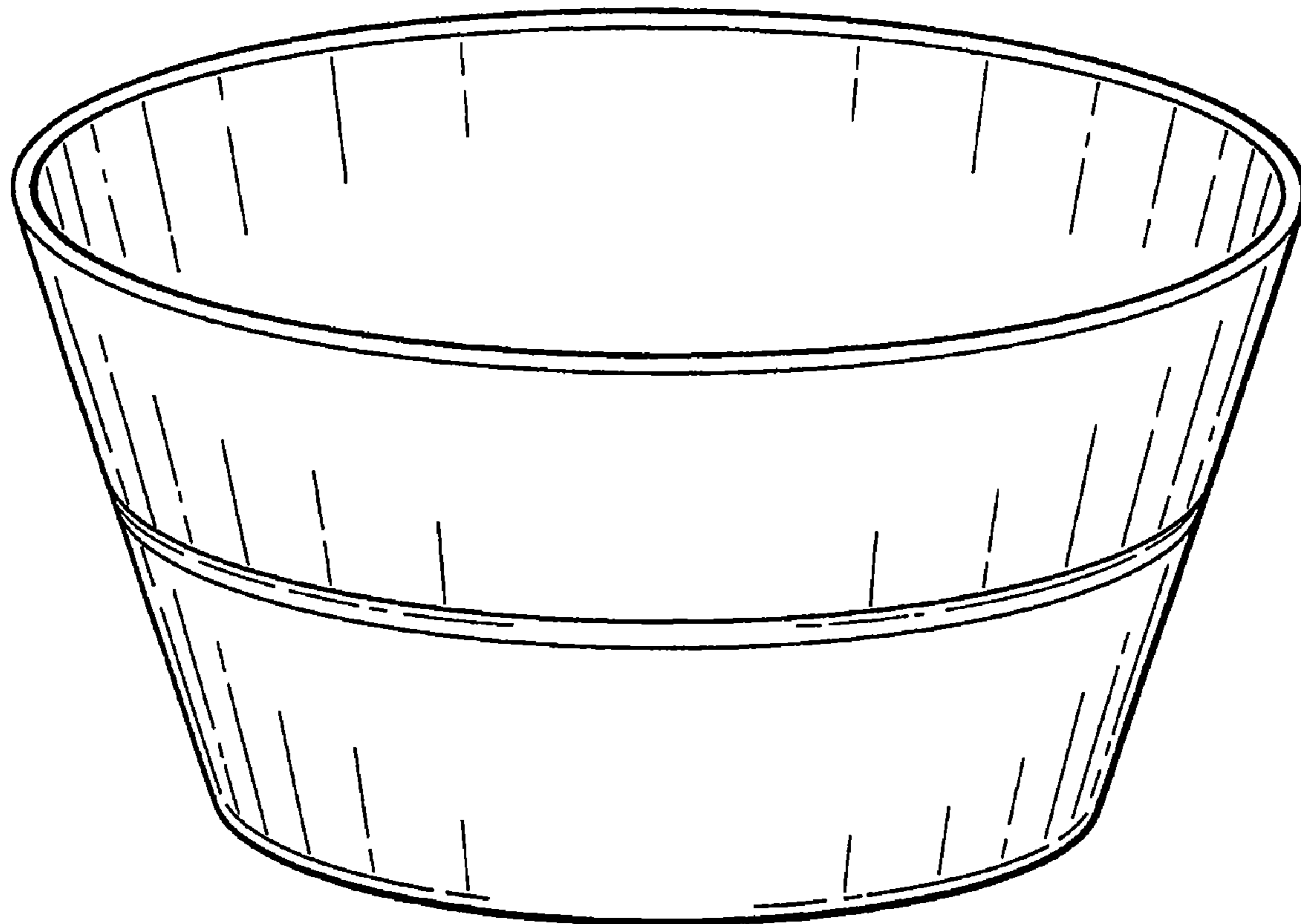
FIG. 1 is a perspective view of the baking cup of the present invention;

FIG. 2 is a top plan view thereof;

FIG. 3 is a bottom plan view thereof; and,

FIG. 4 is a side elevational view thereof.

1 Claim, 2 Drawing Sheets



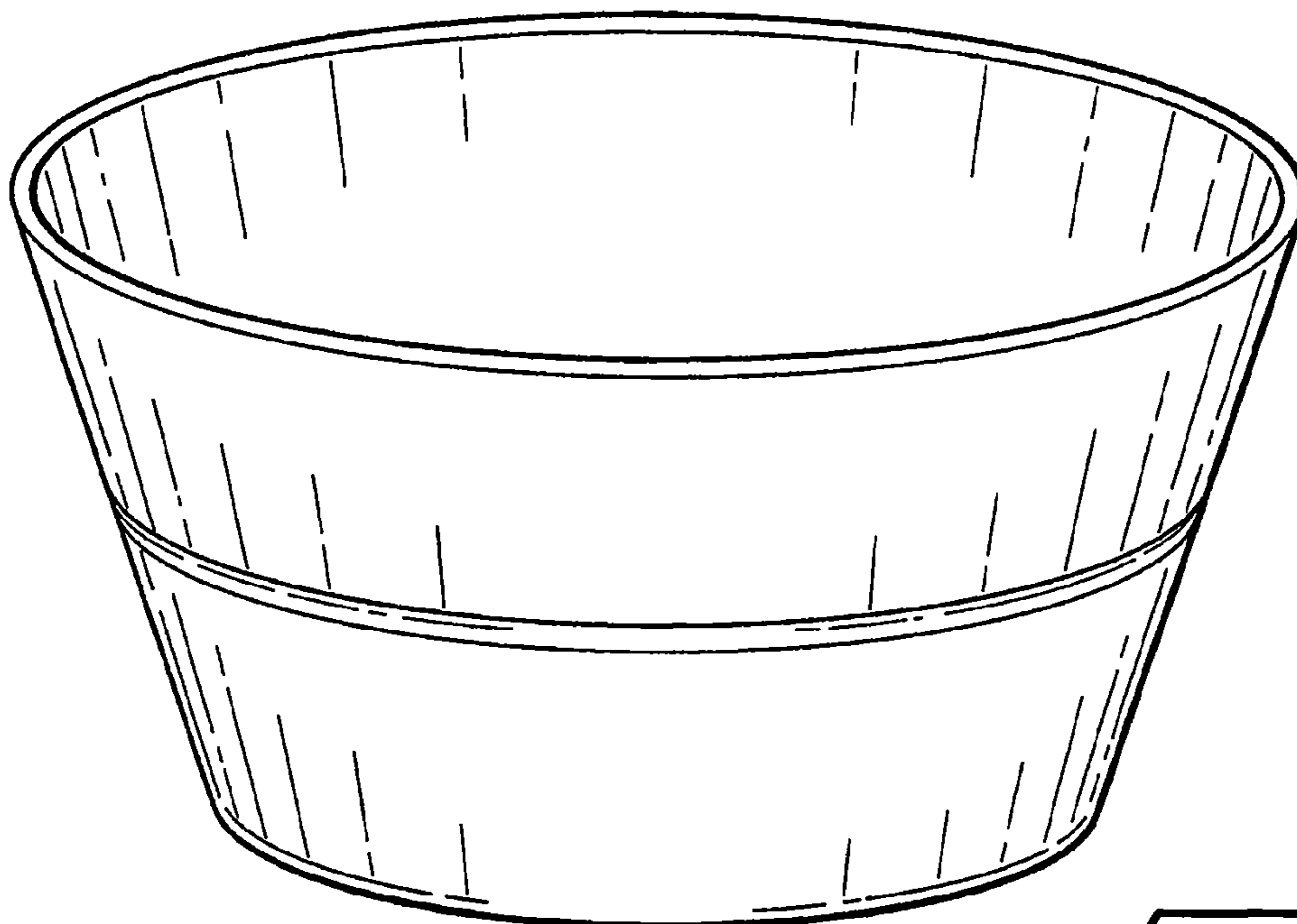


FIG. 1

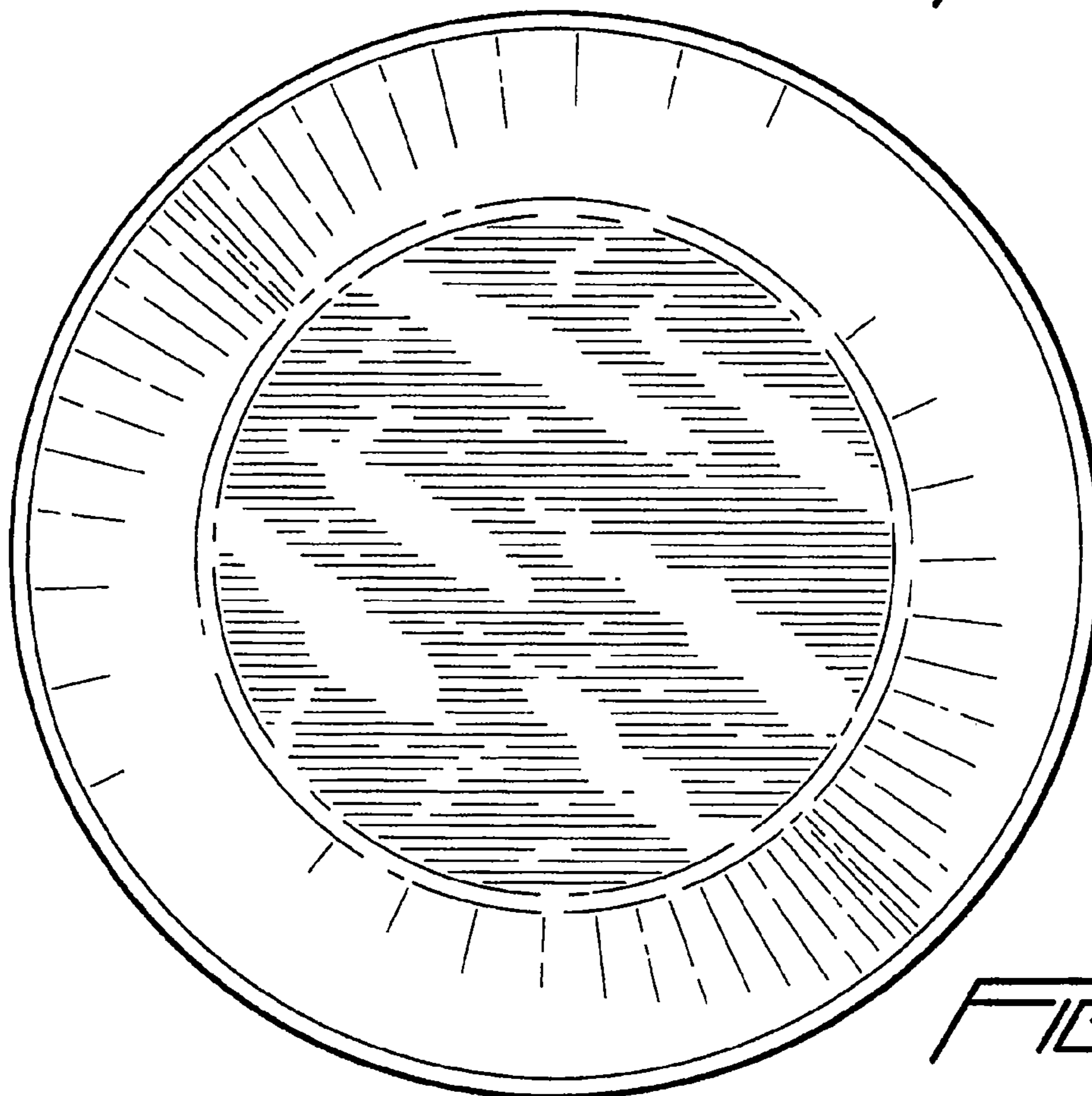


FIG. 2

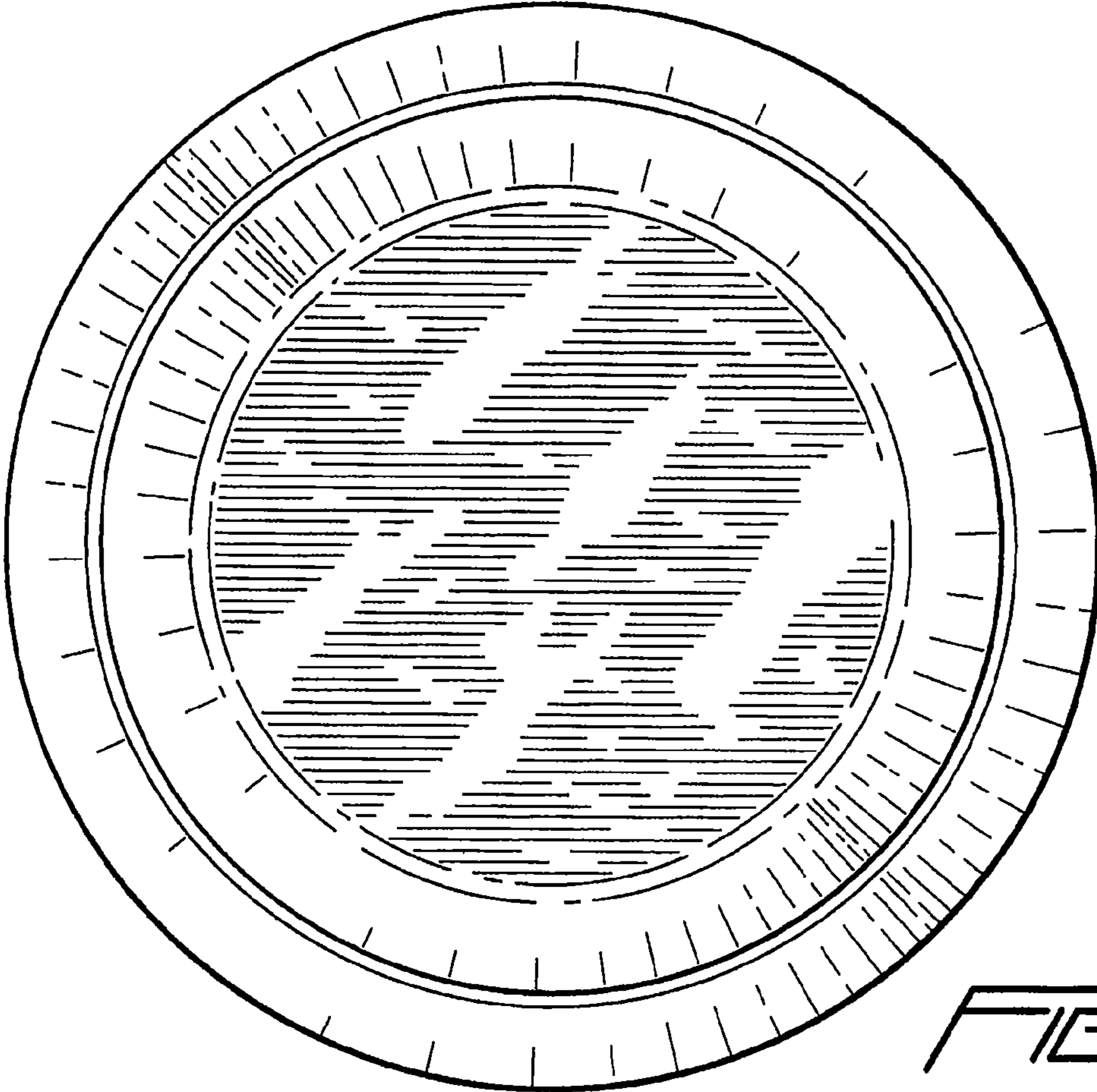


FIG. 3

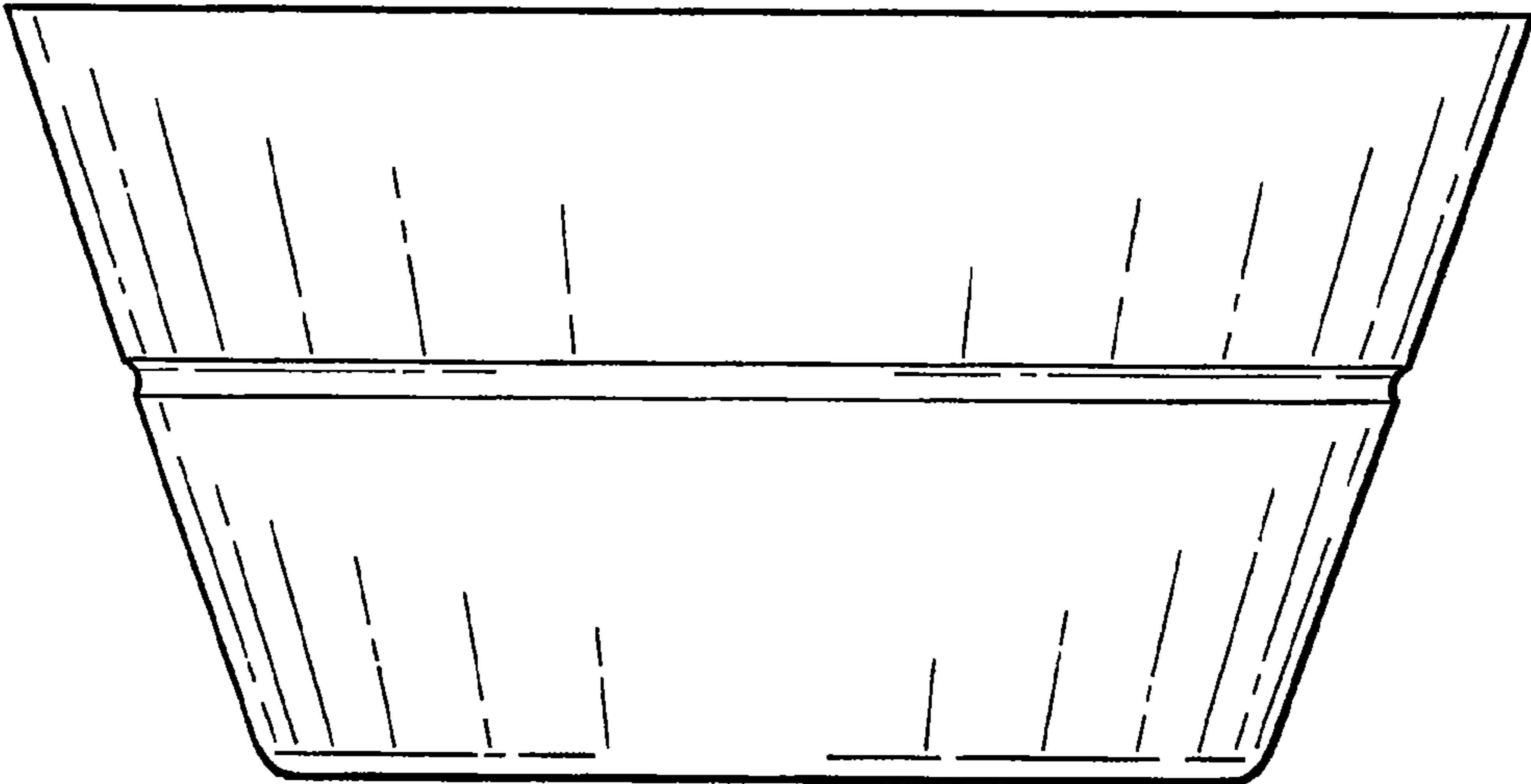


FIG. 4