



US00D572519S

(12) **United States Design Patent**
Thomas

(10) **Patent No.:** **US D572,519 S**
(45) **Date of Patent:** **** Jul. 8, 2008**

(54) **BARBEQUE WITH STAND**

(75) Inventor: **Mark Thomas**, Leichhardt (AU)

(73) Assignee: **Sunbeam Corporation Limited**,
Botany, NSW (AU)

(**) Term: **14 Years**

(21) Appl. No.: **29/293,766**

(22) Filed: **Dec. 11, 2007**

(30) **Foreign Application Priority Data**

Jun. 12, 2007 (NZ) 409273

(51) **LOC (8) Cl.** **07-02**

(52) **U.S. Cl.** **D7/334**

(58) **Field of Classification Search** D7/332,
D7/334, 335, 336, 402-405; 126/25 R, 25 A,
126/25 AA, 9 R, 37 R, 41 R, 40, 50, 304 R,
126/305, 268, 276; 312/249.8, 249.13
See application file for complete search history.

(56) **References Cited**

U.S. PATENT DOCUMENTS

1,531,405	A	3/1925	Lehman	
2,559,710	A	7/1951	Danielsen	
D326,207	S	* 5/1992	Koziol D7/332
6,182,560	B1	2/2001	Andress	
D450,525	S	* 11/2001	Giebel et al. D7/334
6,513,515	B1	2/2003	Wu	
6,606,987	B2	8/2003	DeMars	
D483,215	S	* 12/2003	Eisinger et al. D7/334

6,699,036	B2	3/2004	Schlosser	
D489,221	S	* 5/2004	Pai D7/334
D503,582	S	4/2005	Johnson	
D503,587	S	4/2005	Johnson	
6,910,476	B2	6/2005	Johnson	
D510,680	S	10/2005	Johnson	
6,976,485	B2	12/2005	Johnson	
6,981,497	B2	1/2006	DeMars	
D517,365	S	* 3/2006	Huang D7/332
D550,023	S	* 9/2007	Chung D7/334
D550,501	S	* 9/2007	Chung D7/334

* cited by examiner

Primary Examiner—Ruth McInroy

(74) *Attorney, Agent, or Firm*—King & Spalding LLP

(57) **CLAIM**

The ornamental design for a barbeque with stand, as shown and described.

DESCRIPTION

FIG. 1 is a front perspective view of a barbeque with stand showing my new design with the lid open;

FIG. 2 is a front perspective view thereof with the lid closed;

FIG. 3 is a rear perspective view thereof with the lid closed;

FIG. 4 is a front view thereof with the lid closed;

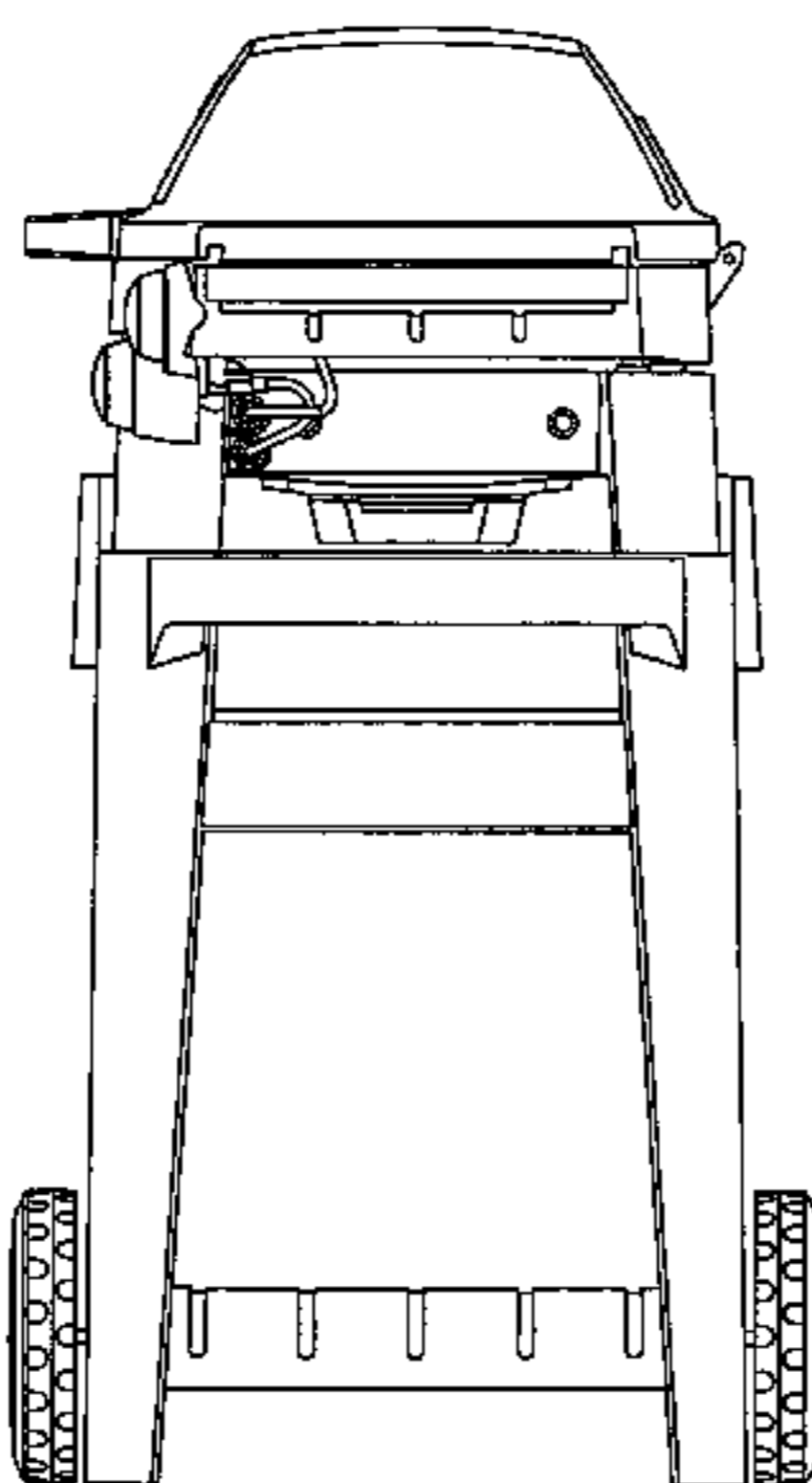
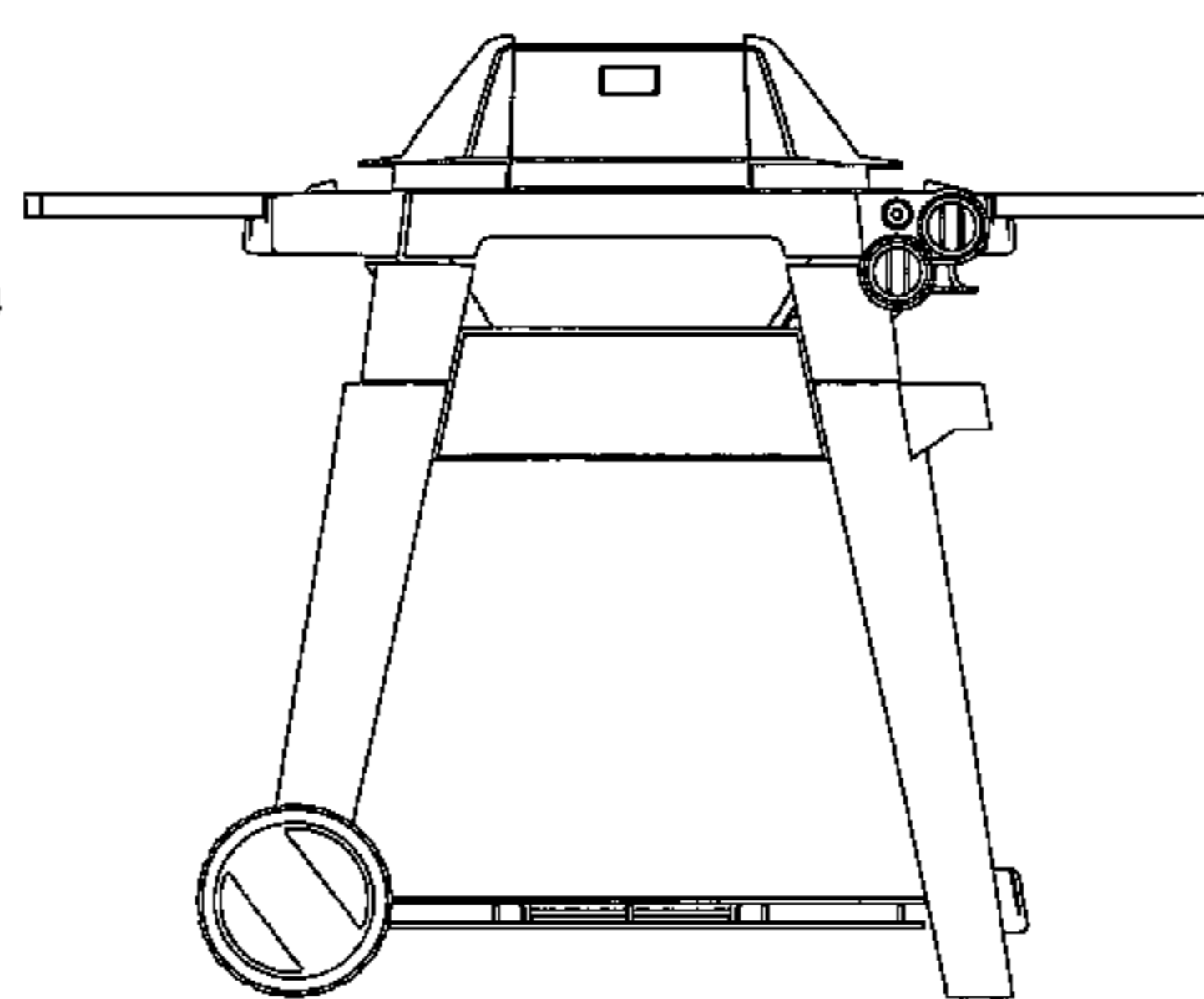
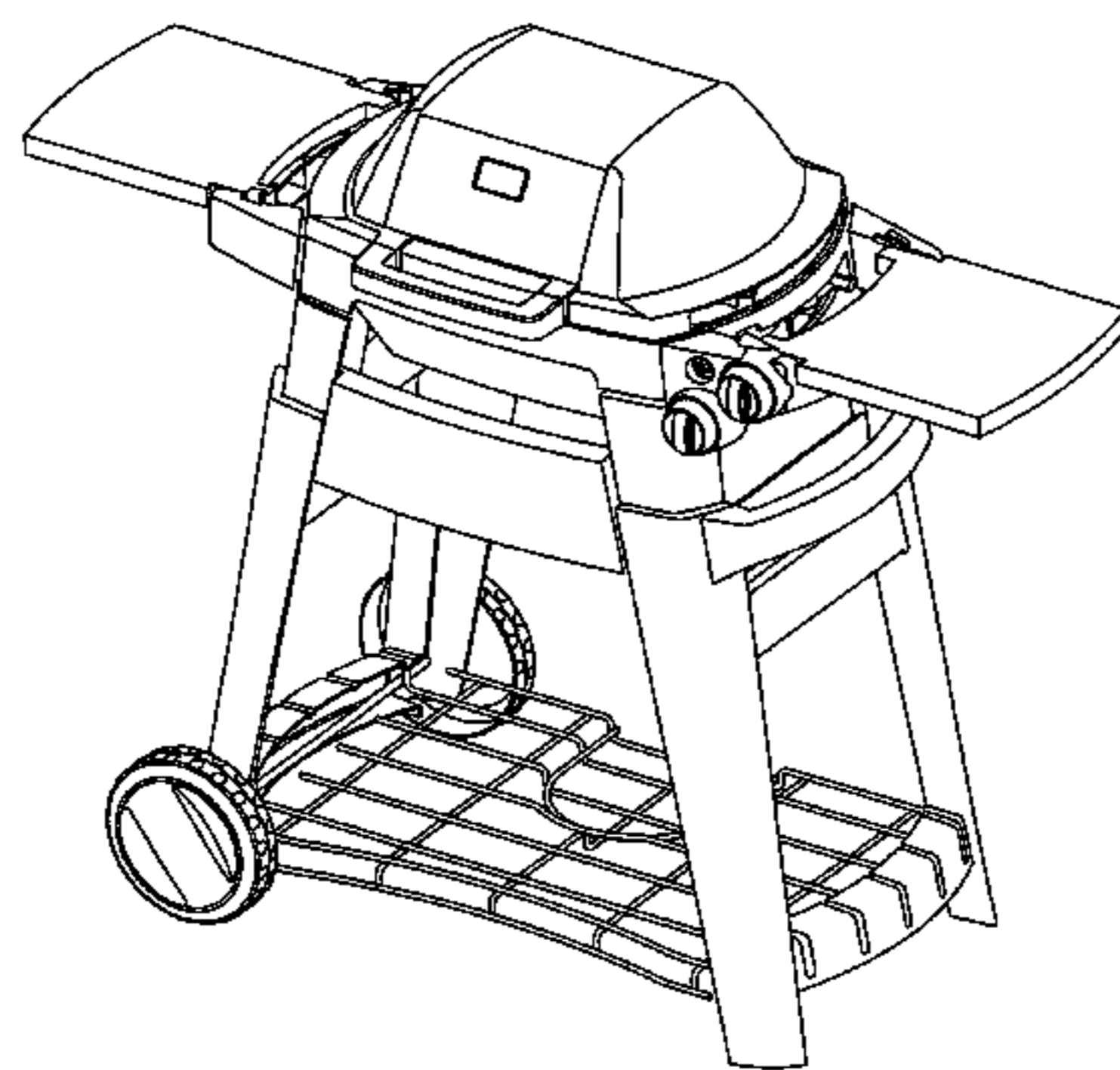
FIG. 5 is a right side view thereof with the lid closed;

FIG. 6 is a left side view thereof with the lid closed;

FIG. 7 is a top view thereof with the lid closed; and,

FIG. 8 is a bottom view thereof with the lid closed.

1 Claim, 8 Drawing Sheets



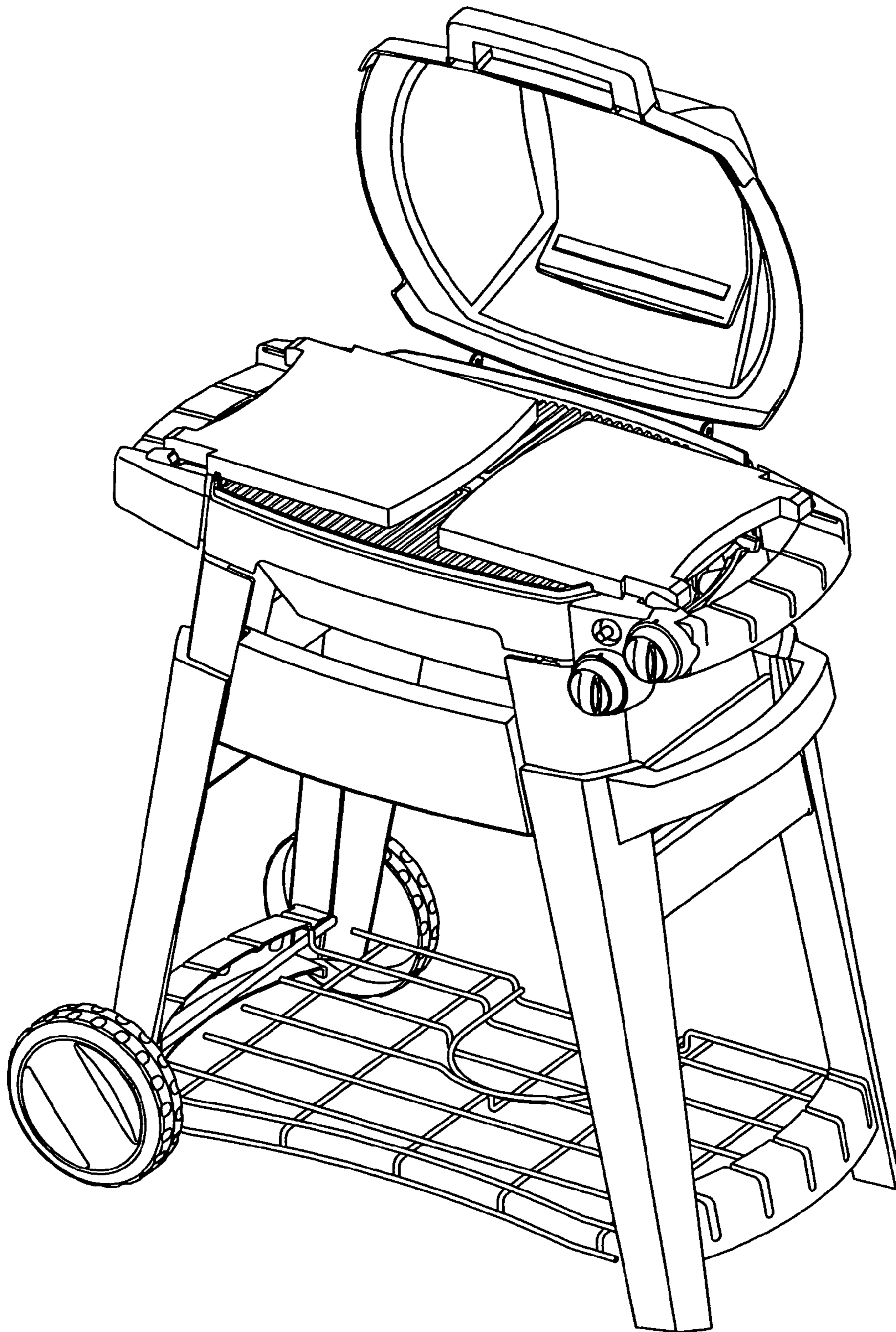


FIG. 1

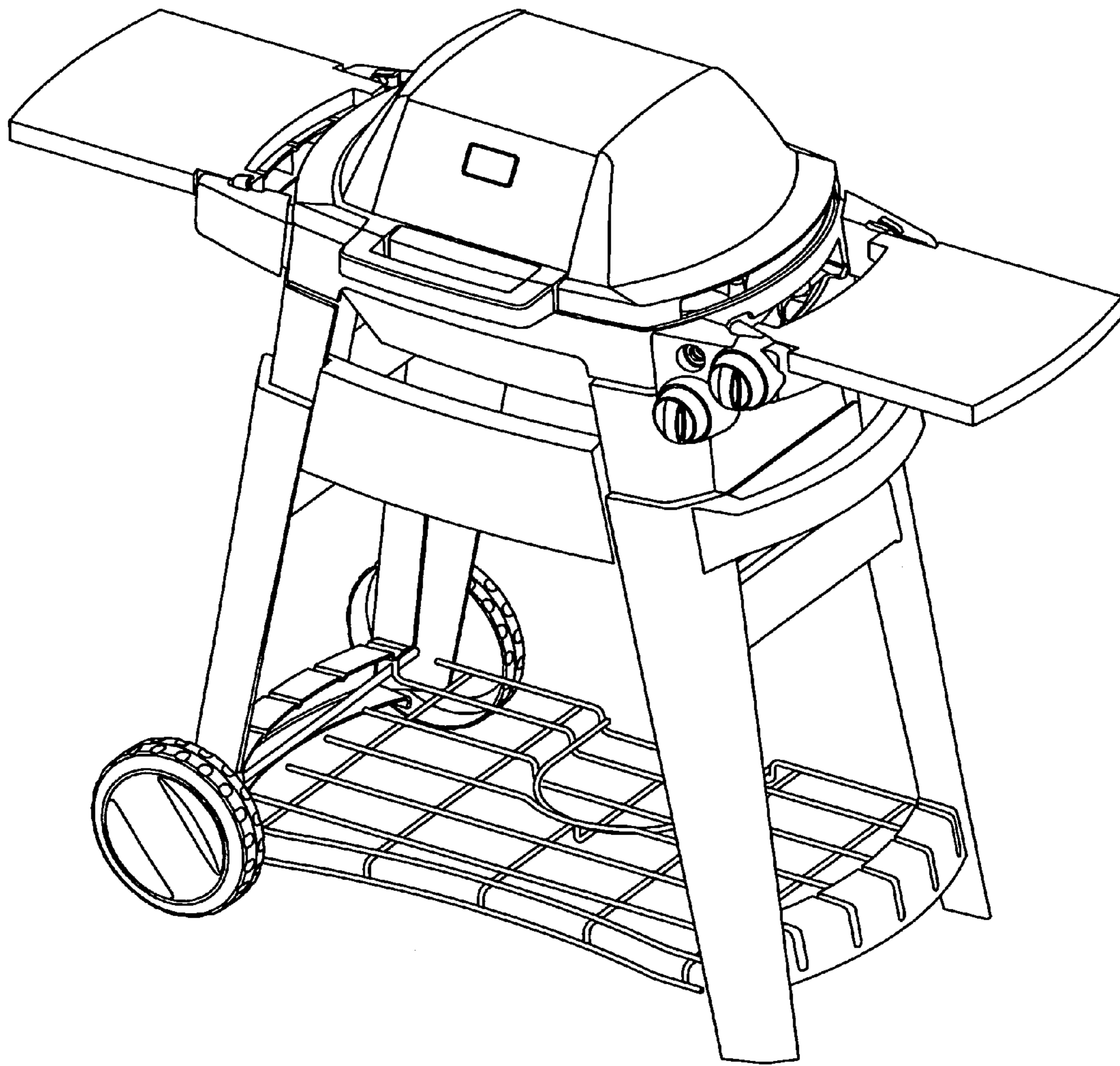


FIG. 2

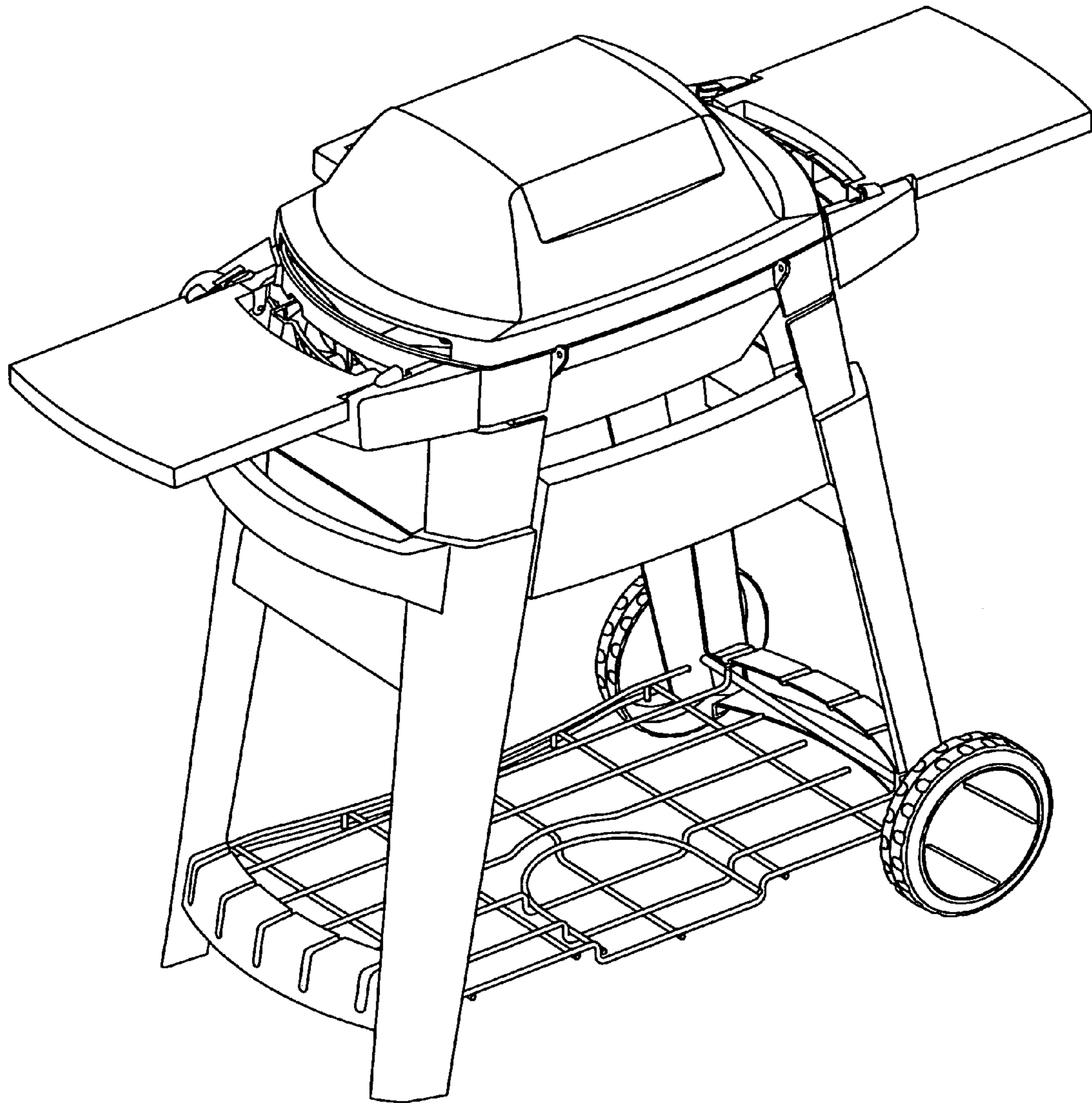


FIG. 3

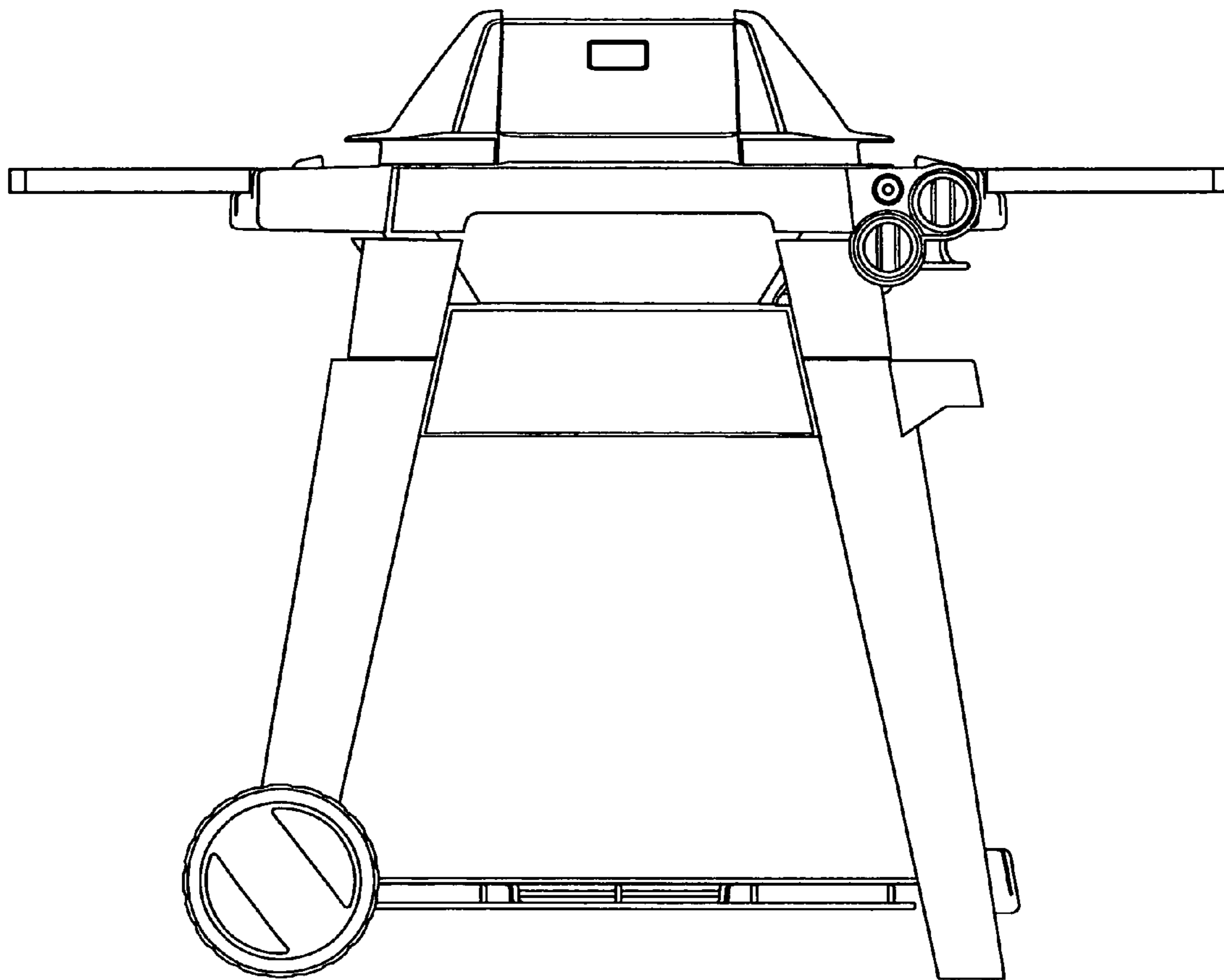


FIG. 4

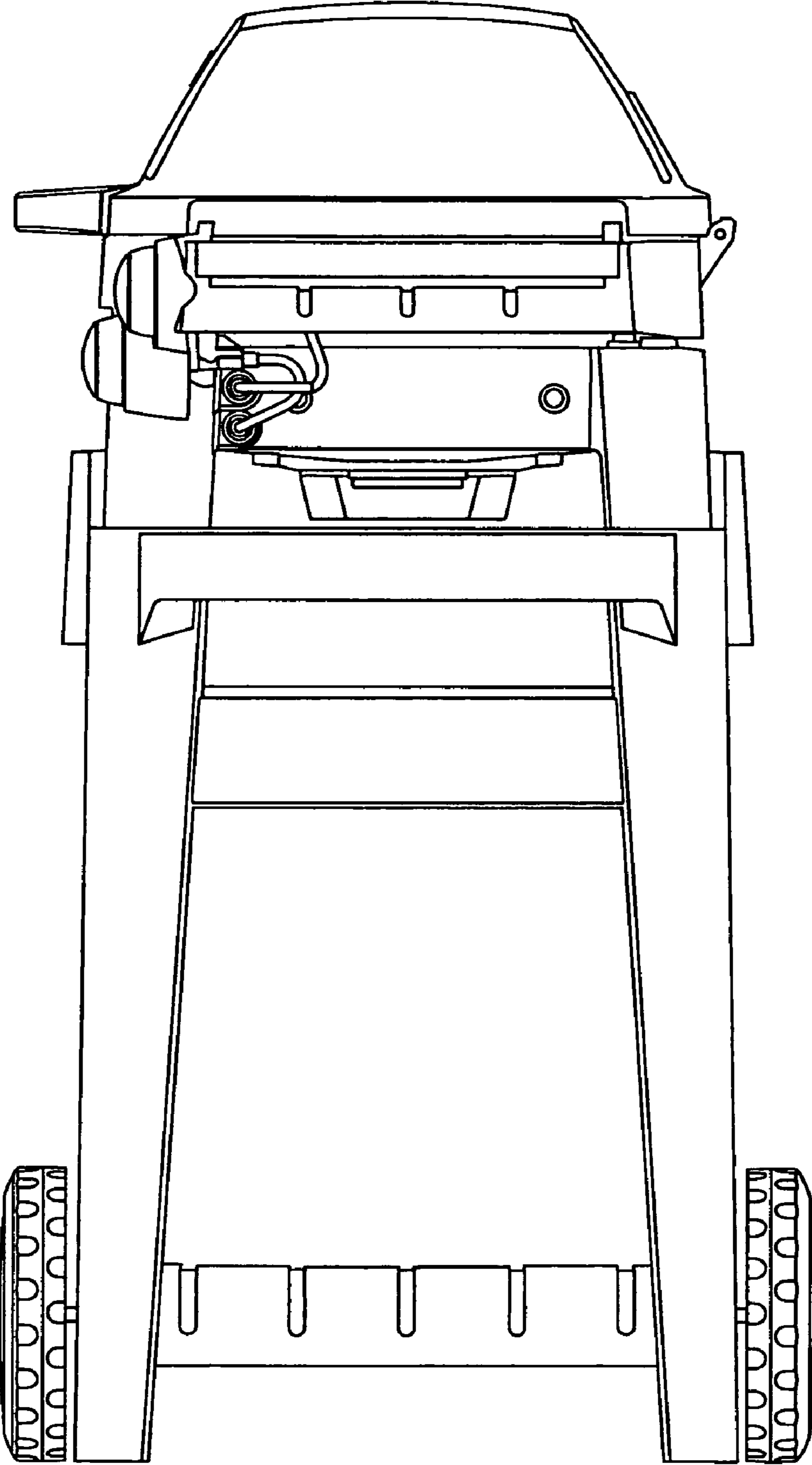


FIG. 5

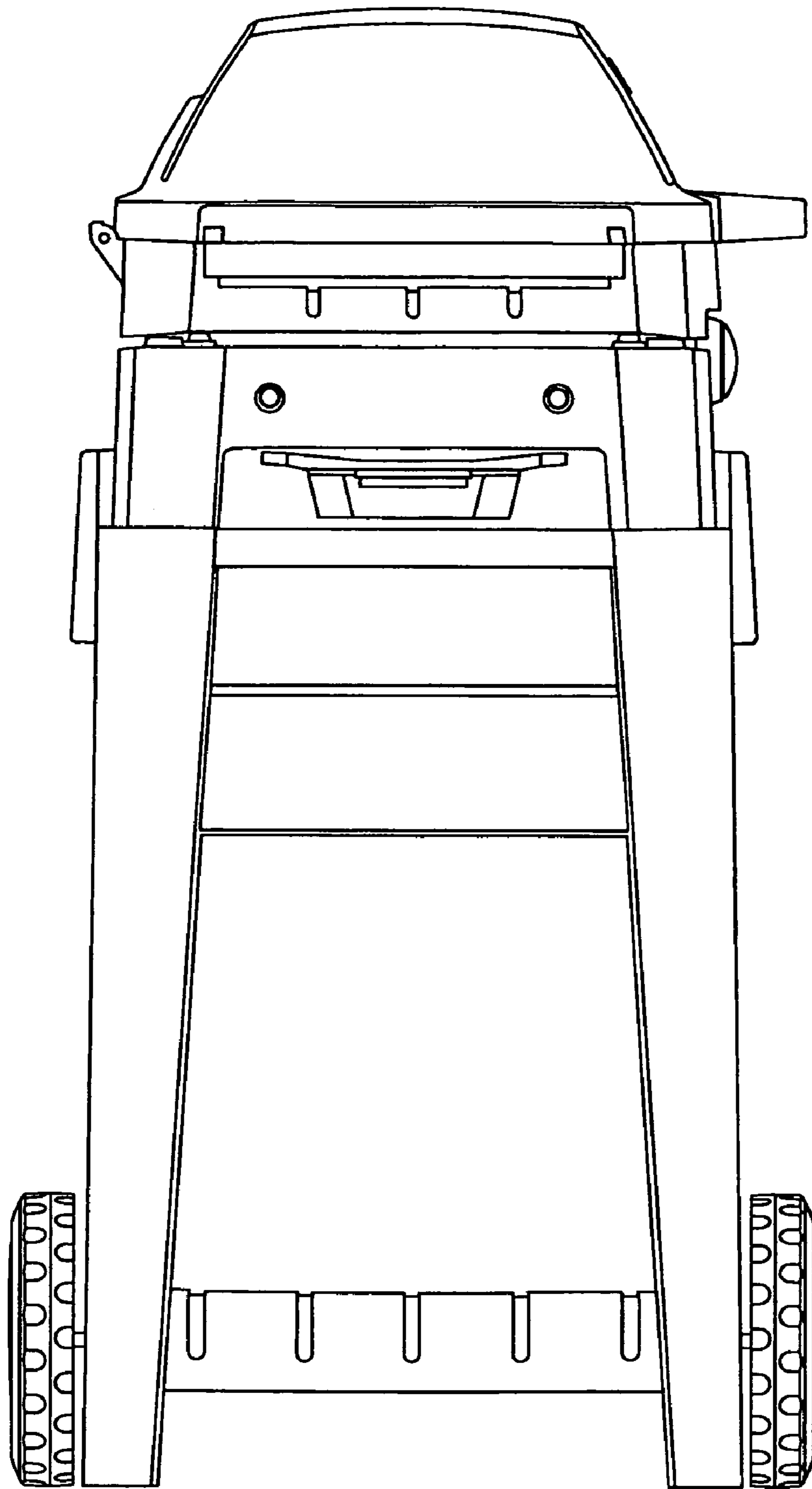


FIG. 6

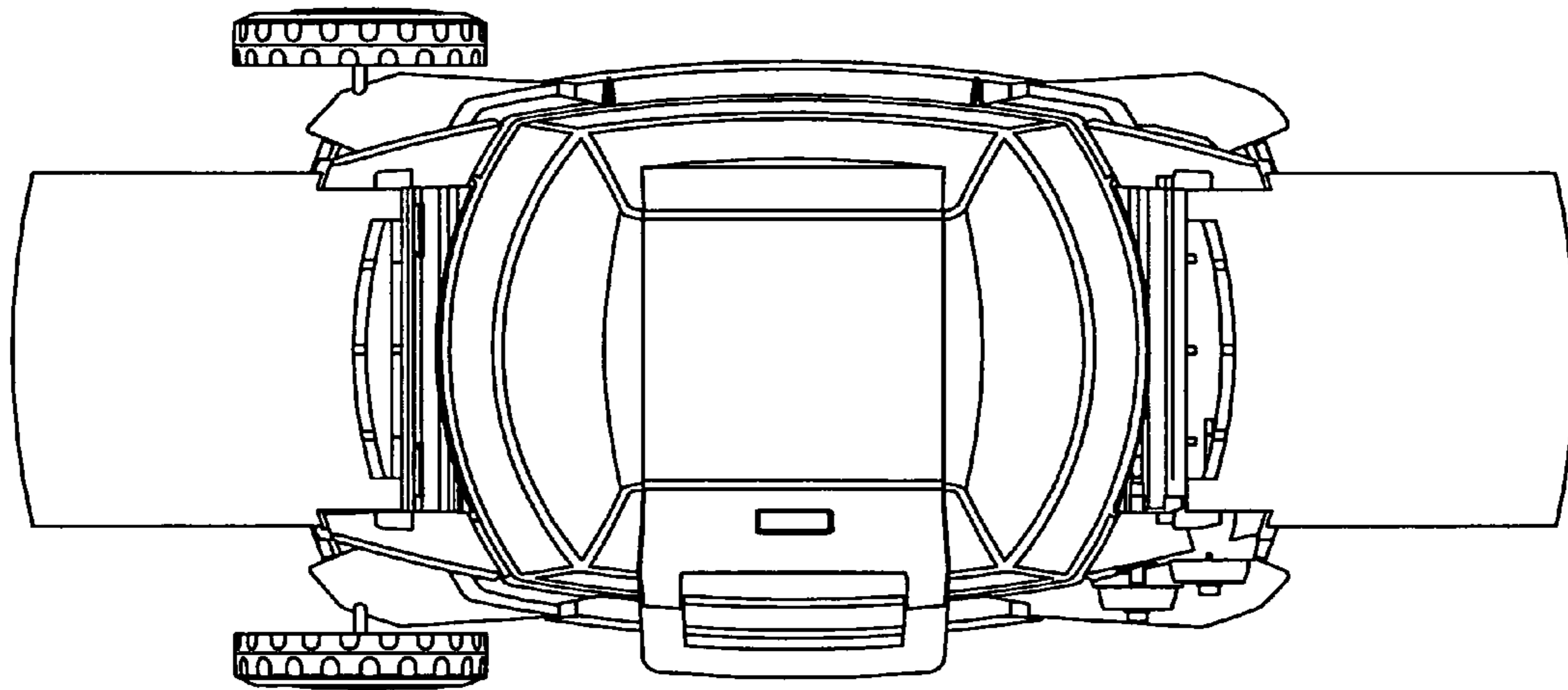


FIG. 7

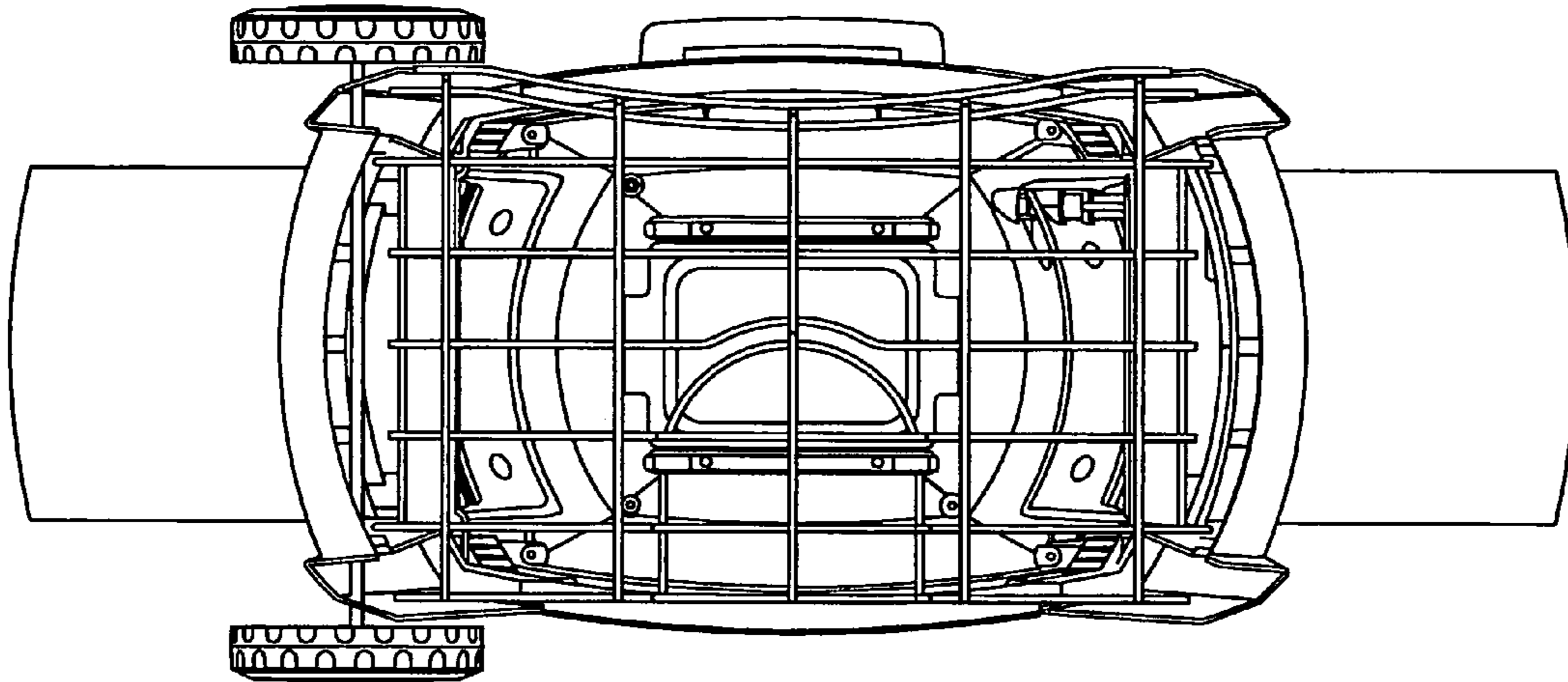


FIG. 8