



US00D572516S

(12) **United States Design Patent**  
**Snider**

(10) **Patent No.:** **US D572,516 S**

(45) **Date of Patent:** **\*\* Jul. 8, 2008**

(54) **POLE MOUNTABLE SHOWER SHELF WITH  
HEXAGONAL OPENING**

(75) Inventor: **Martin Snider**, New City, NY (US)

(73) Assignee: **MSA Products, Inc.**, Nyack, NY (US)

(\*\*) Term: **14 Years**

(21) Appl. No.: **29/288,056**

(22) Filed: **May 29, 2007**

(51) **LOC (8) Cl.** ..... **06-04**

(52) **U.S. Cl.** ..... **D6/566**

(58) **Field of Classification Search** ..... D6/524,  
D6/525, 329, 462, 468, 527, 569-570; 108/42,  
108/59, 106, 180, 144.11, 147.11, 147.12,  
108/147.15; 211/13.1, 85.12, 49.1, 71.01,  
211/86.01, 87.01, 90.01, 90.03, 90.04, 126.14,  
211/126.1, 112, 110, 106, 105.1, 88.01, 134,  
211/153, 175, 207, 181.1, 182; 248/130,  
248/142, 907

See application file for complete search history.

(56) **References Cited**

U.S. PATENT DOCUMENTS

D274,201 S *	6/1984	Aaron	.....	D6/525
4,860,909 A *	8/1989	Leumi	.....	248/907
D351,751 S *	10/1994	Brightbill et al.	.....	D6/525
D388,642 S *	1/1998	Winter	.....	D6/525
D417,991 S *	12/1999	Hofman et al.	.....	D6/525
D419,020 S *	1/2000	Emery et al.	.....	D6/562
D421,692 S *	3/2000	Wojtowicz et al.	.....	D6/525

D421,867 S *	3/2000	Carville et al.	.....	D6/562
D429,934 S *	8/2000	Hofman	.....	D6/525
D443,162 S *	6/2001	Winter	.....	D6/570
D475,561 S *	6/2003	Suero, Jr.	.....	D6/525
6,688,238 B1 *	2/2004	Alexiou	.....	108/42
D543,747 S *	6/2007	Harwanko	.....	D6/525

\* cited by examiner

*Primary Examiner*—Brian N Vinson

(74) *Attorney, Agent, or Firm*—Gerald E. Hespos; Anthony J. Casella

(57) **CLAIM**

The ornamental design for a pole mountable shower shelf with hexagonal opening, as shown and described.

**DESCRIPTION**

FIG. 1 is a perspective view of a pole mountable shower shelf with hexagonal opening in accordance with my design;

FIG. 2 is a top plan view of the pole mountable shower shelf with hexagonal opening of FIG. 1;

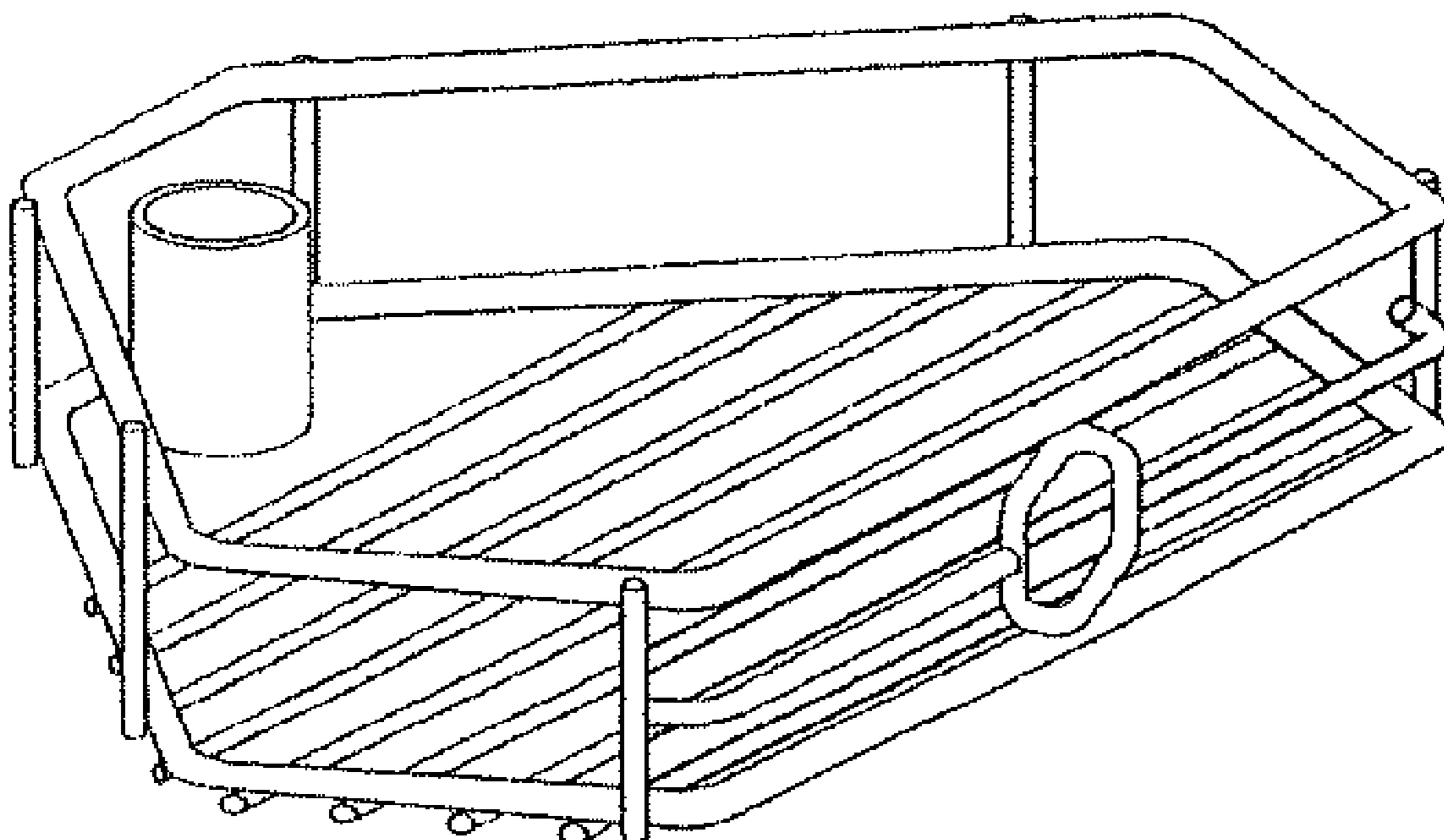
FIG. 3 is a front elevational view of shelf shown in FIGS. 1 and 2;

FIG. 4 is a left side elevational view of the shelf shown in FIGS. 1-3, with the right side elevational view being a mirror image thereof;

FIG. 5 is a rear elevational view of the shelf shown in FIGS. 1-4; and

FIG. 6 is a bottom plan view of the shelf shown in FIGS. 1-5.

**1 Claim, 2 Drawing Sheets**



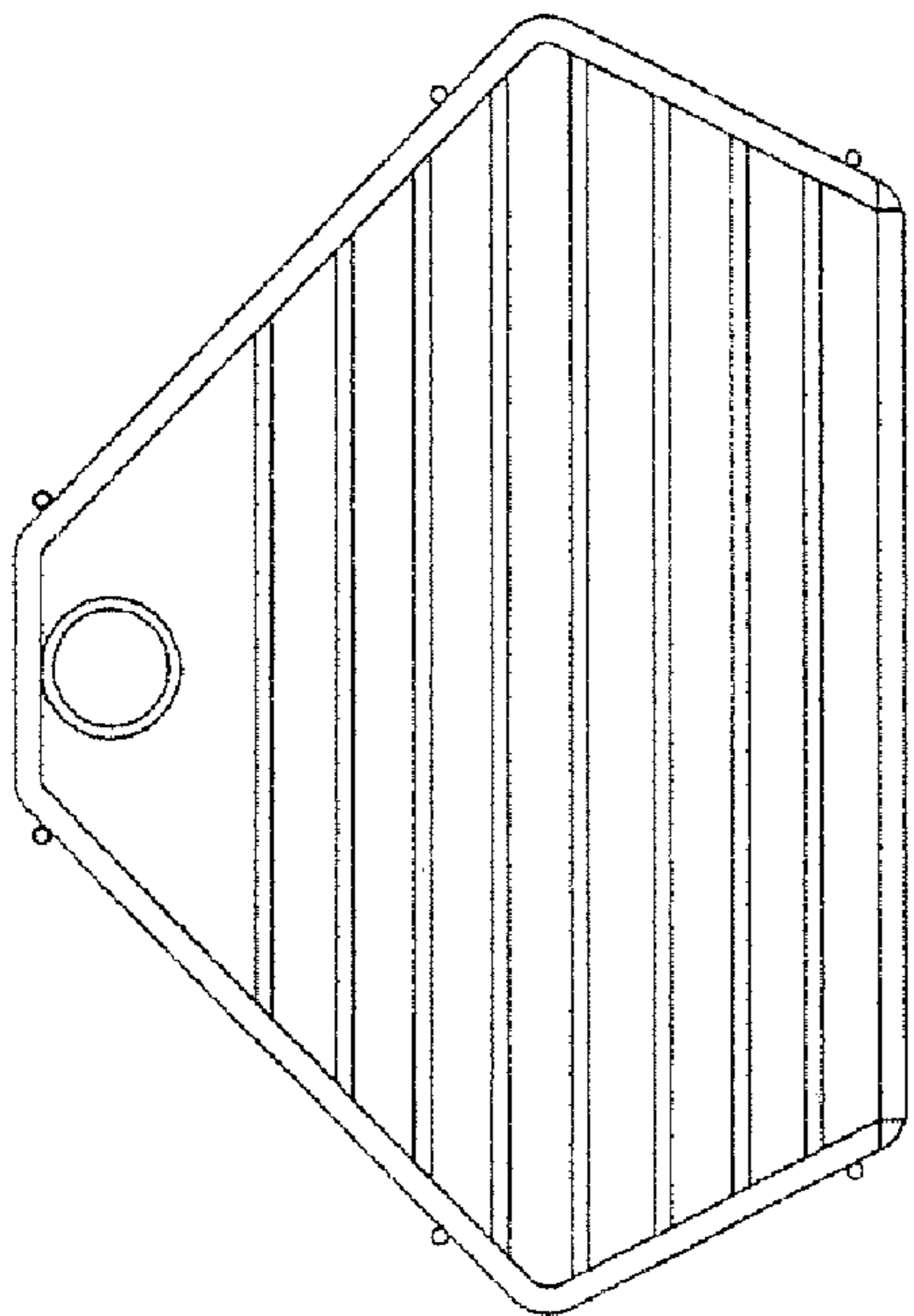


FIG. 2

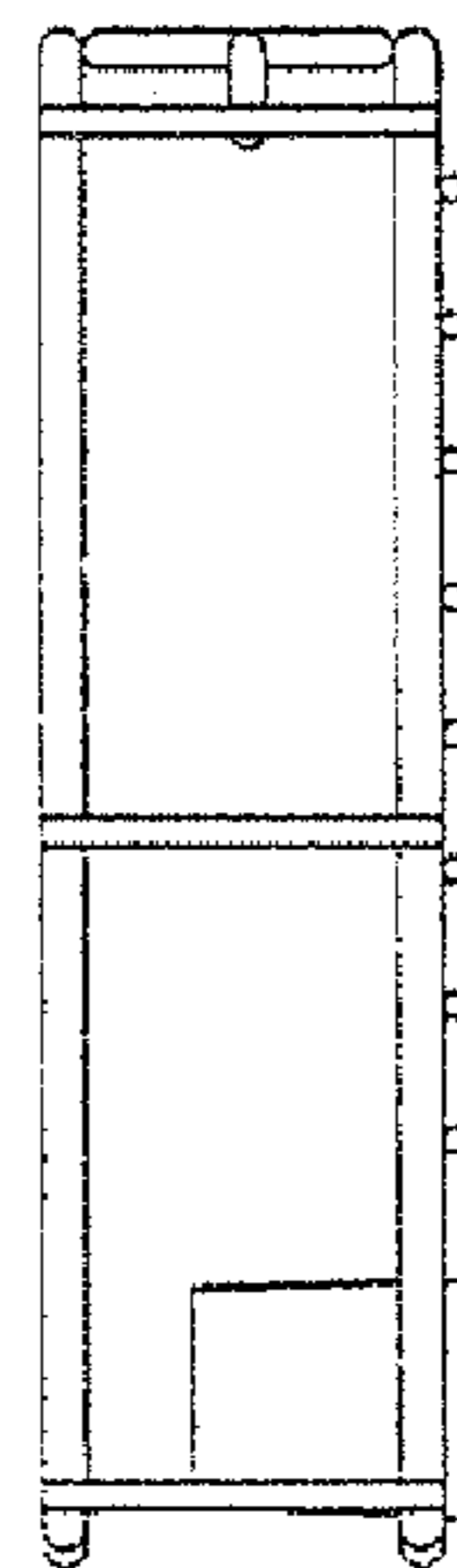


FIG. 4

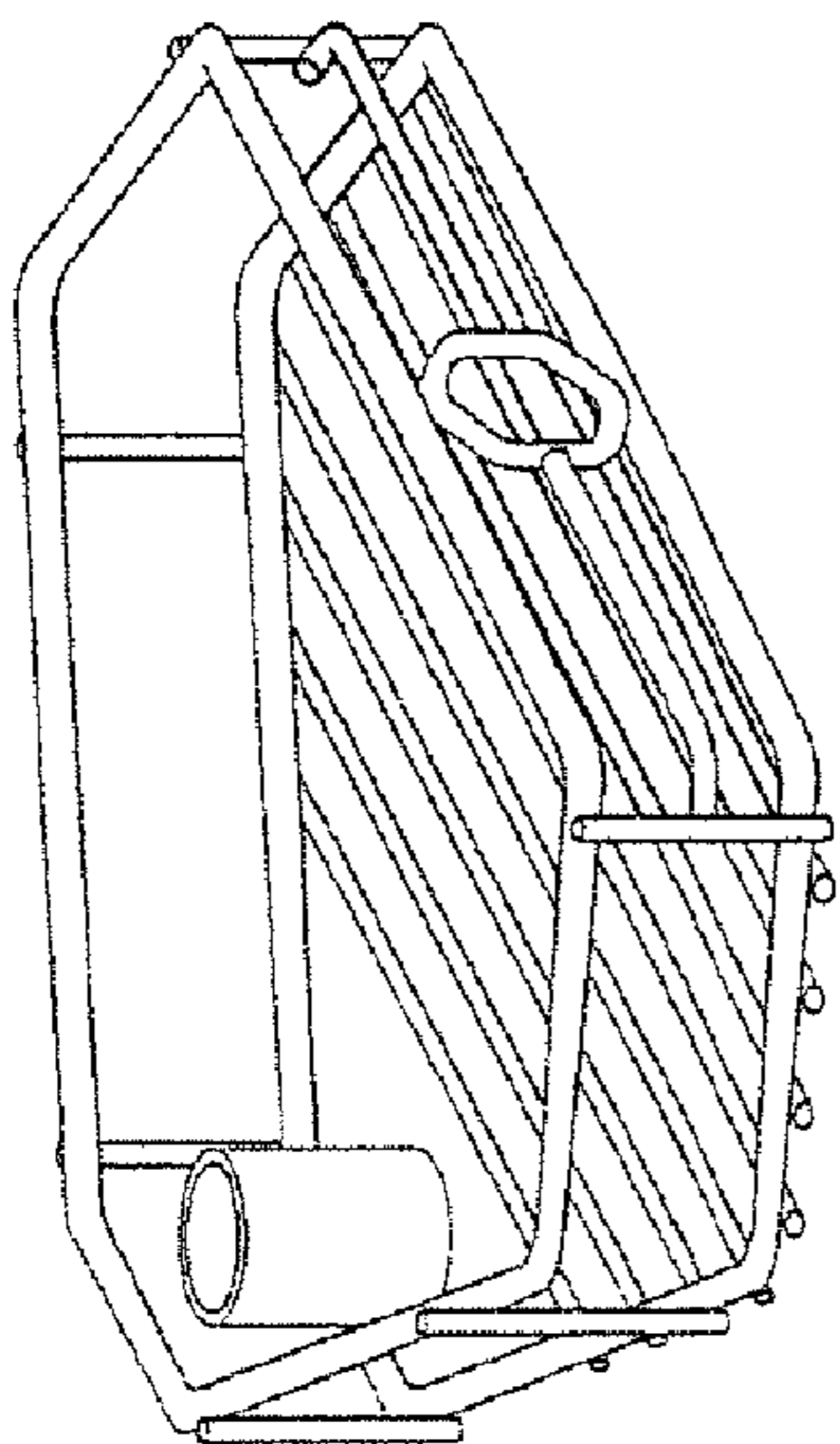


FIG. 1

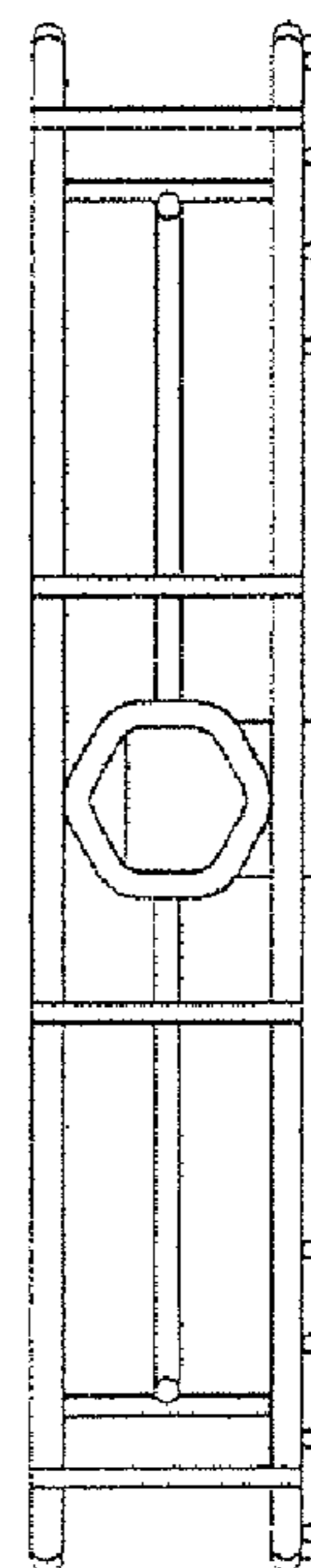
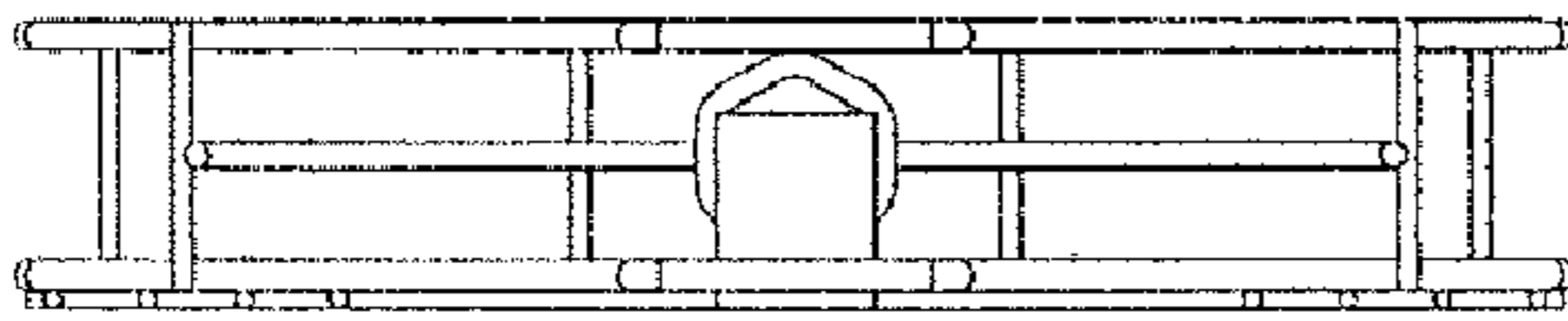
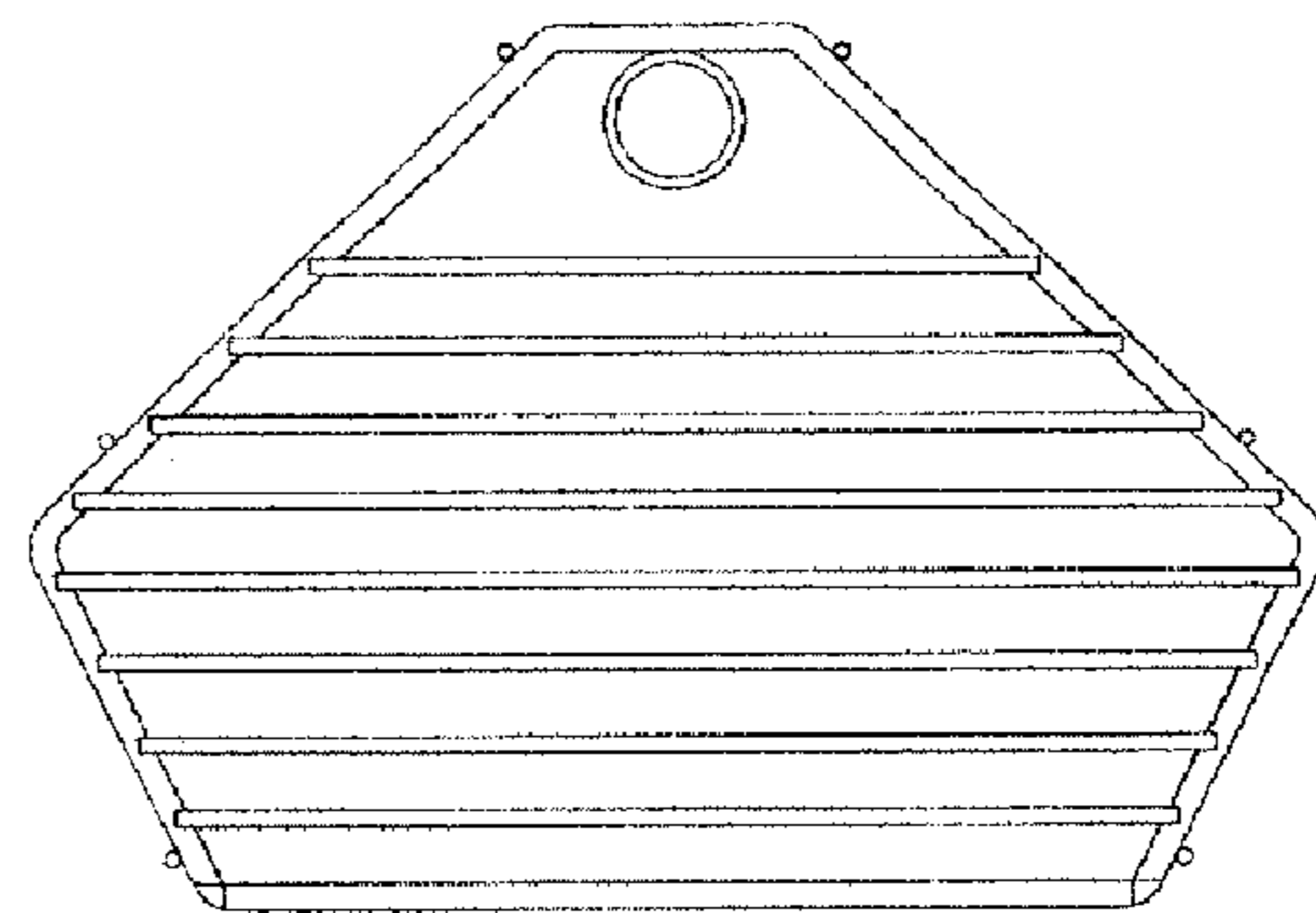


FIG. 3



**FIG. 5**



**FIG. 6**