



US00D572513S

(12) **United States Design Patent**
McCammon

(10) **Patent No.:** **US D572,513 S**
(45) **Date of Patent:** **** Jul. 8, 2008**

(54) **SLIDING RACK**

D547,064 S * 7/2007 Snell D3/304
D561,408 S * 2/2008 Marsh D30/130

(76) Inventor: **Donald L. McCammon**, 6658 Shadow
Oak La., Orlando, FL (US) 32809

* cited by examiner

(**) Term: **14 Years**

Primary Examiner—Elizabeth A. Albert
Assistant Examiner—Kelley A Donnelly

(21) Appl. No.: **29/294,953**

(74) *Attorney, Agent, or Firm*—William M. Hobby, III

(22) Filed: **Feb. 5, 2008**

(57) **CLAIM**

(51) **LOC (8) Cl.** **06-04**

The ornamental design for a sliding rack, as shown and described.

(52) **U.S. Cl.** **D6/511**

(58) **Field of Classification Search** D6/510–511,
D6/475; D3/304, 309, 307, 312; D7/553.1,
D7/550.1, 543, 554.3; 211/88.01, 88.03;
206/503, 557, 562–563

DESCRIPTION

See application file for complete search history.

FIG. 1 is a top, front, left side perspective view of my new sliding rack;

FIG. 2 is a right side elevation;

FIG. 3 is a top plan view;

FIG. 4 is a front end elevation;

FIG. 5 is a rear end elevation;

FIG. 6 is a bottom plan view; and,

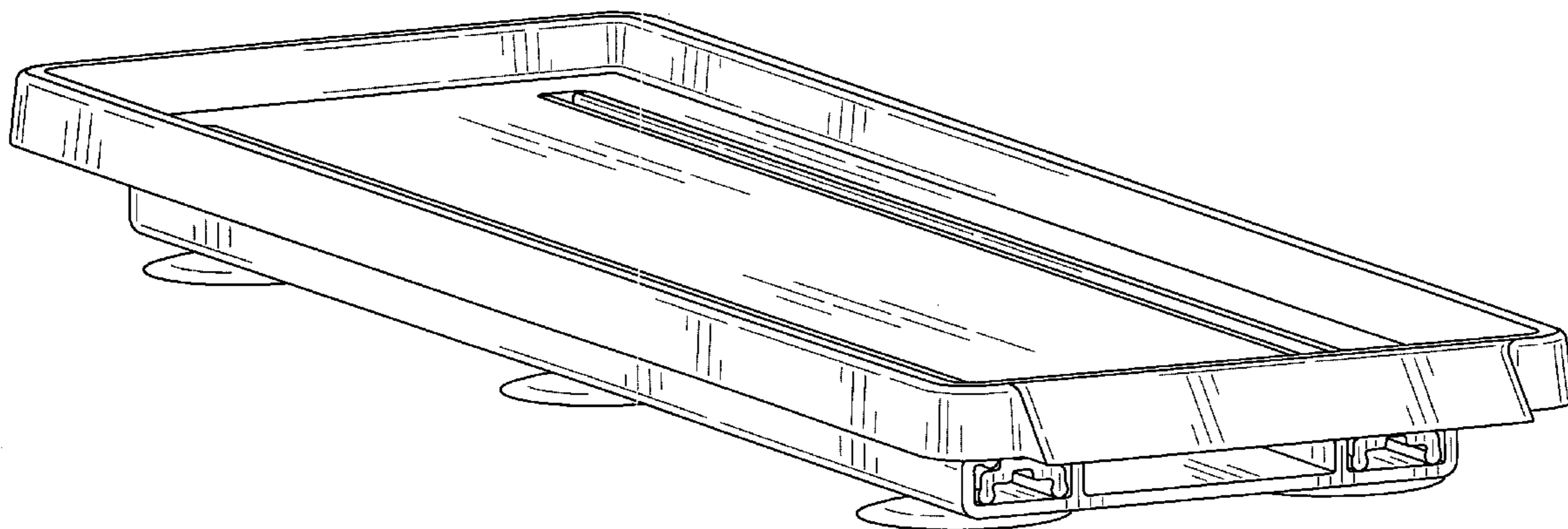
FIG. 7 is a sectional view taken through line 7–7 of FIG. 6.

(56) **References Cited**

U.S. PATENT DOCUMENTS

4,861,123	A	*	8/1989	Russell	312/330.1
D351,079	S	*	10/1994	Brown	D6/510
D375,836	S	*	11/1996	Conti	D3/304
D379,891	S	*	6/1997	Hampshire	D6/525
D495,532	S	*	9/2004	Meissen et al.	D6/475
D523,667	S	*	6/2006	Bisson	D6/510

1 Claim, 3 Drawing Sheets



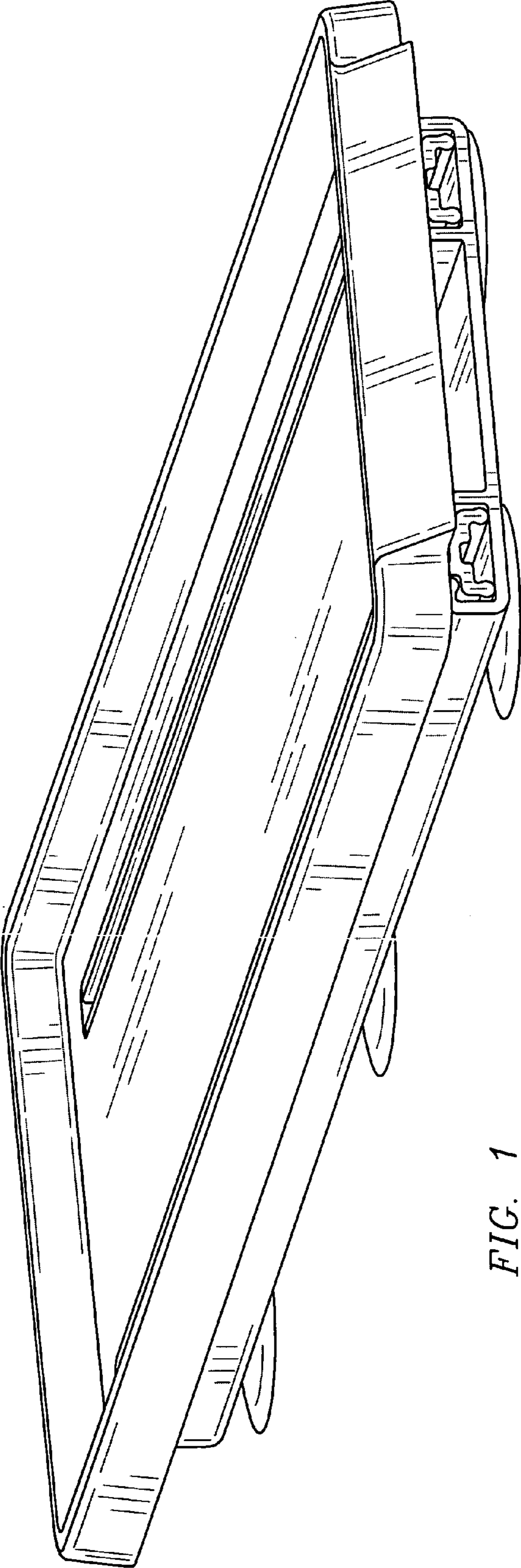


FIG. 1

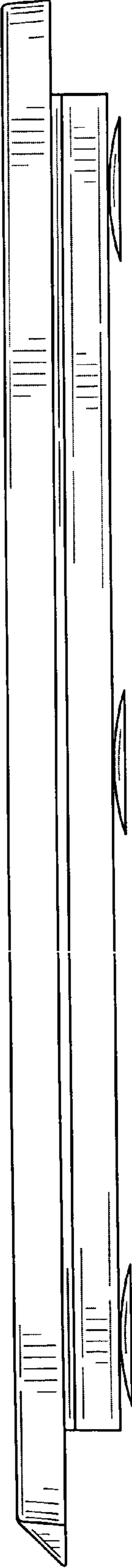


FIG. 2

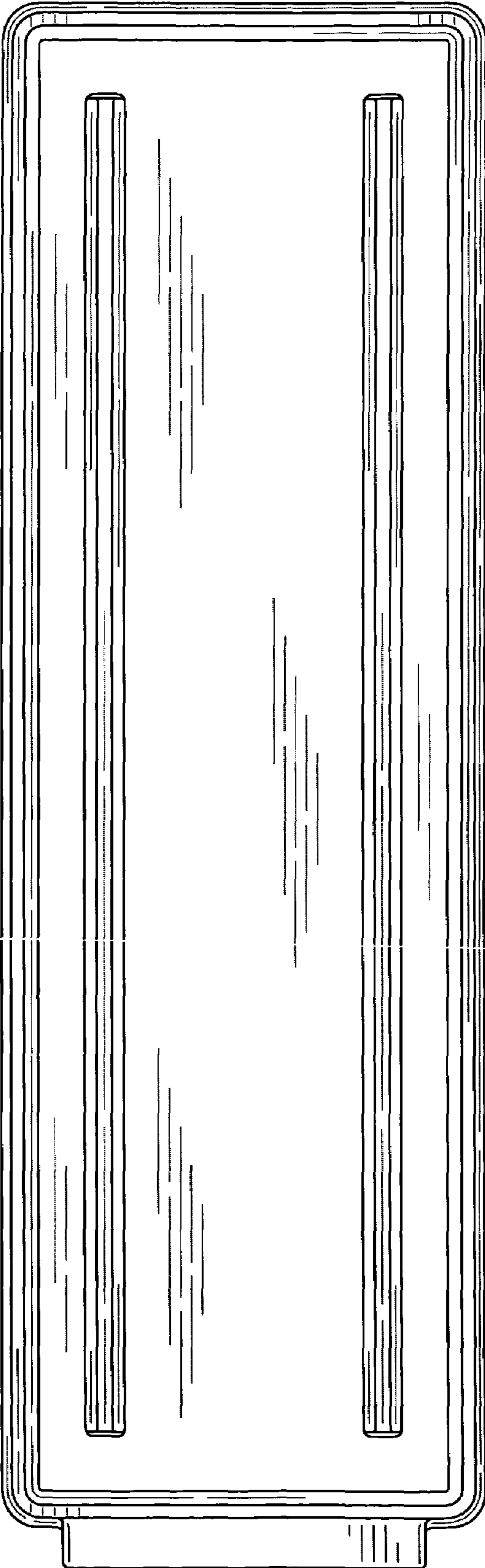


FIG. 3

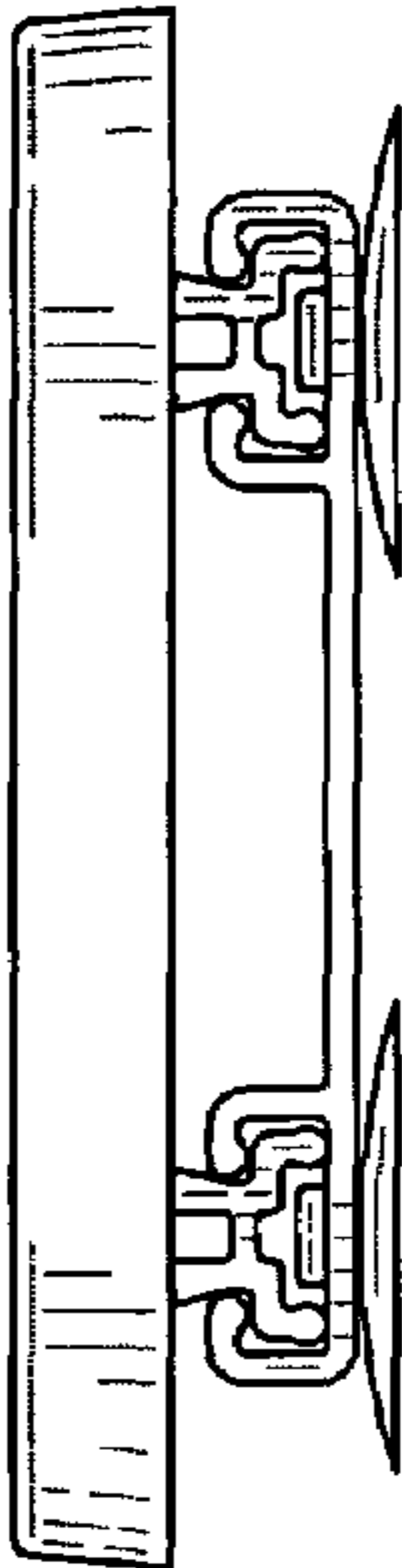


FIG. 5

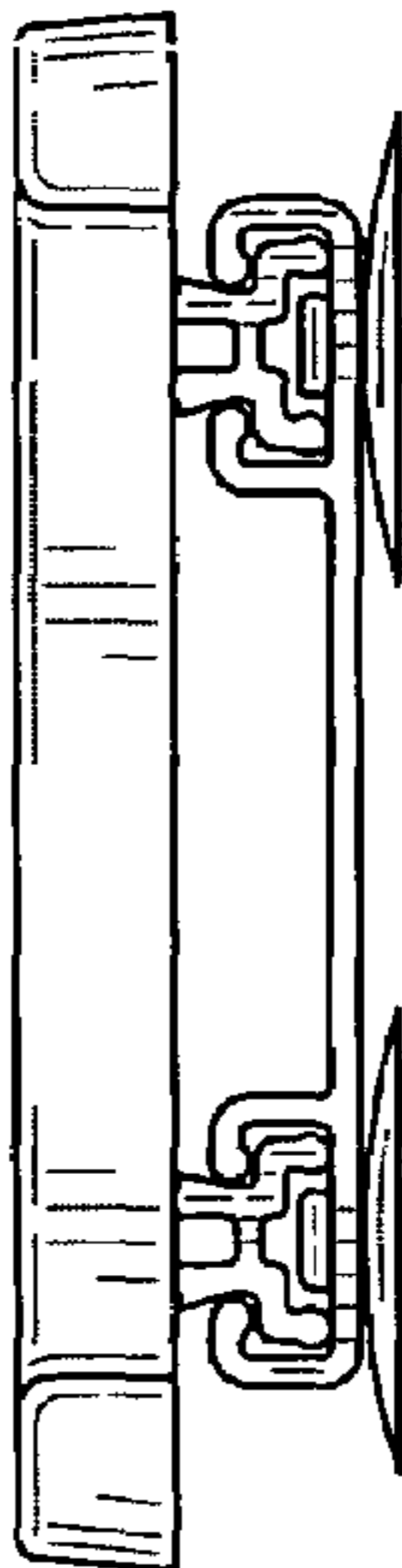


FIG. 4

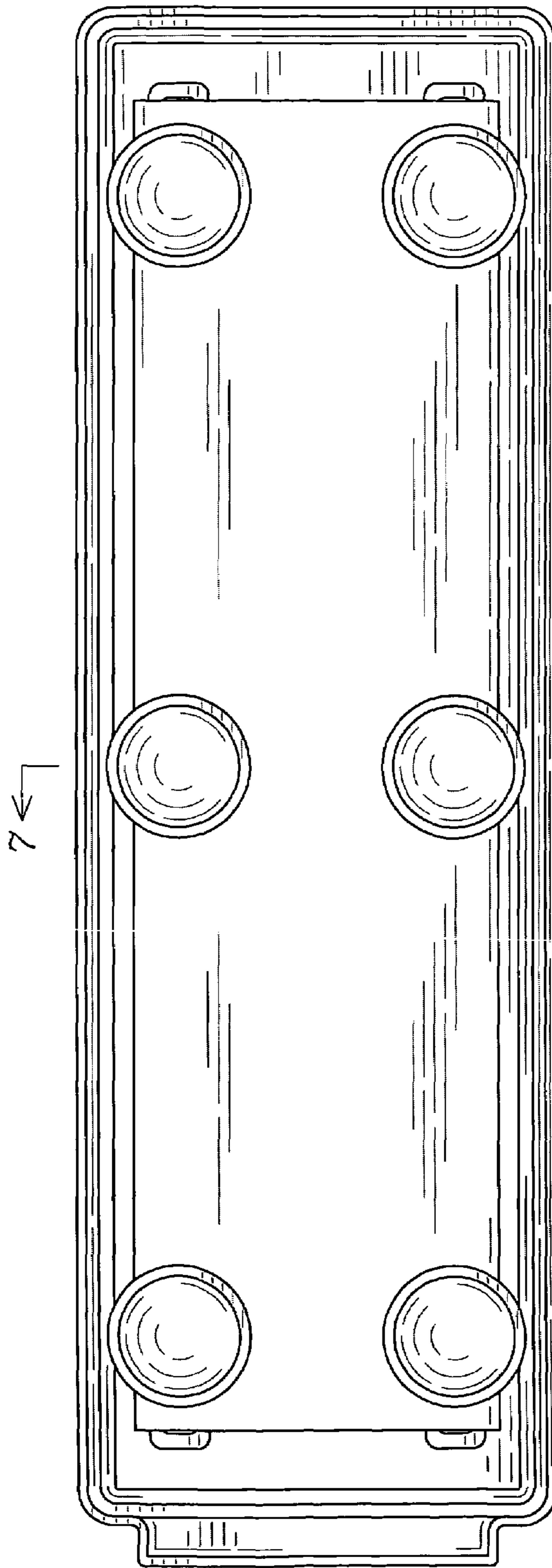


FIG. 6

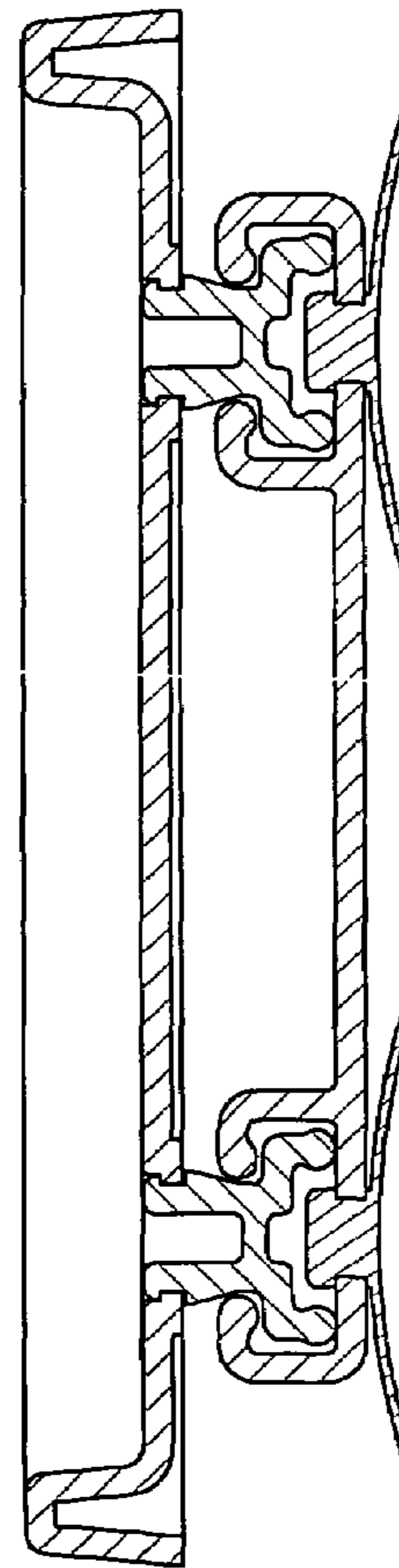


FIG. 7