



US00D572511S

(12) **United States Design Patent**
Böhler

(10) **Patent No.:** **US D572,511 S**

(45) **Date of Patent:** **** Jul. 8, 2008**

(54) **PART OF DRAWERS**

(75) Inventor: **Jürgen Böhler**, Lauterach (AT)

(73) Assignee: **Julius Blum GmbH**, Hochst (AT)

(**) Term: **14 Years**

(21) Appl. No.: **29/274,587**

(22) Filed: **May 7, 2007**

(51) **LOC (8) Cl.** **06-06**

(52) **U.S. Cl.** **D6/510**

(58) **Field of Classification Search** D3/318-319;
D6/336, 432, 436, 441, 445-446, 448, 509-511,
D6/574; D8/300-302; D25/60-61, 68-69,
D25/119, 122, 124-125; D34/27; 49/372,
49/408, 505; 52/100, 204.1, 204.2, 209,
52/211, 716.8, 775; 220/7, 4.01; 312/108,
312/109, 195, 199, 204, 234.5, 257.1, 265.1,
312/263, 297, 310, 330.1, 334.14, 334.18,
312/334.27, 334.8, 348.1-348.4

See application file for complete search history.

(56) **References Cited**

U.S. PATENT DOCUMENTS

2,701,174 A * 2/1955 Franks 312/263
3,892,451 A * 7/1975 Bruins 312/348.3
D255,741 S * 7/1980 Litchfield et al. D6/510
4,403,817 A * 9/1983 Aidar 312/265.1

5,348,386 A * 9/1994 Grass 312/348.2
5,364,180 A * 11/1994 Berger 312/334.14
5,556,183 A * 9/1996 Brustle et al. 312/348.1
5,671,989 A * 9/1997 Lautenschlager 312/348.1
5,971,516 A * 10/1999 Huber 312/348.1
5,992,958 A * 11/1999 Scheible 312/348.2
6,053,592 A * 4/2000 Sutterlutti 312/330.1
6,095,627 A * 8/2000 Sutterlutti 312/348.2
D563,125 S * 3/2008 Held D6/510

* cited by examiner

Primary Examiner—Stella M. Reid

Assistant Examiner—Ricky Pham

(74) *Attorney, Agent, or Firm*—Wenderoth, Lind & Ponack,
L.L.P.

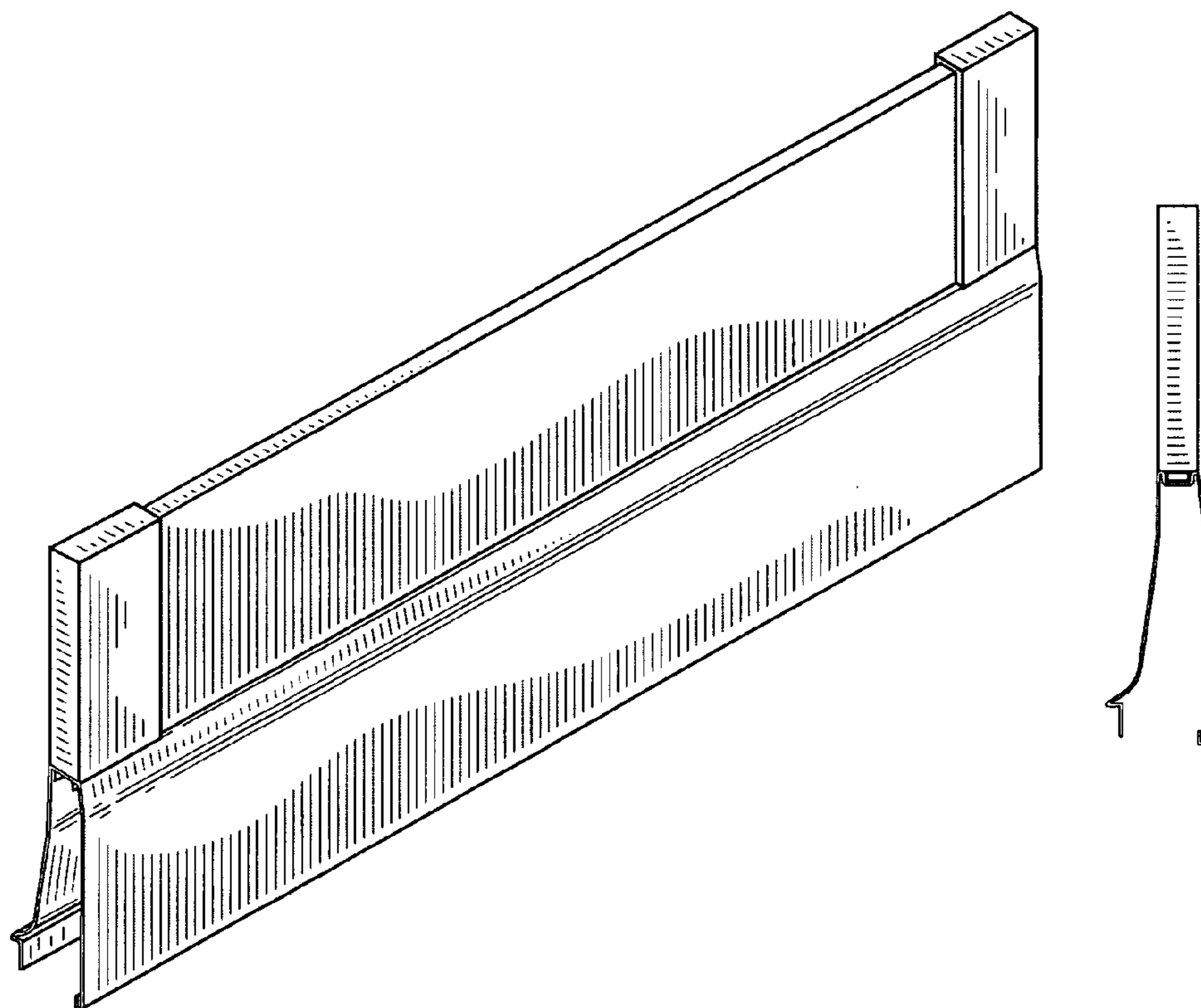
(57) **CLAIM**

The ornamental design for a part of drawers, as shown.

DESCRIPTION

FIG. 1 is a perspective view of a part of drawers;
FIG. 2 is a front view of the part of drawers of FIG. 1;
FIG. 3 is a top view of the part of drawers of FIG. 1;
FIG. 4 is a bottom view of the part of drawers of FIG. 1;
FIG. 5 is a left side view of the part of drawers of FIG. 1;
FIG. 6 is a right side view of the part of drawers of FIG. 1; and,
FIG. 7 is a back view of the part of drawers of FIG. 1.

1 Claim, 4 Drawing Sheets



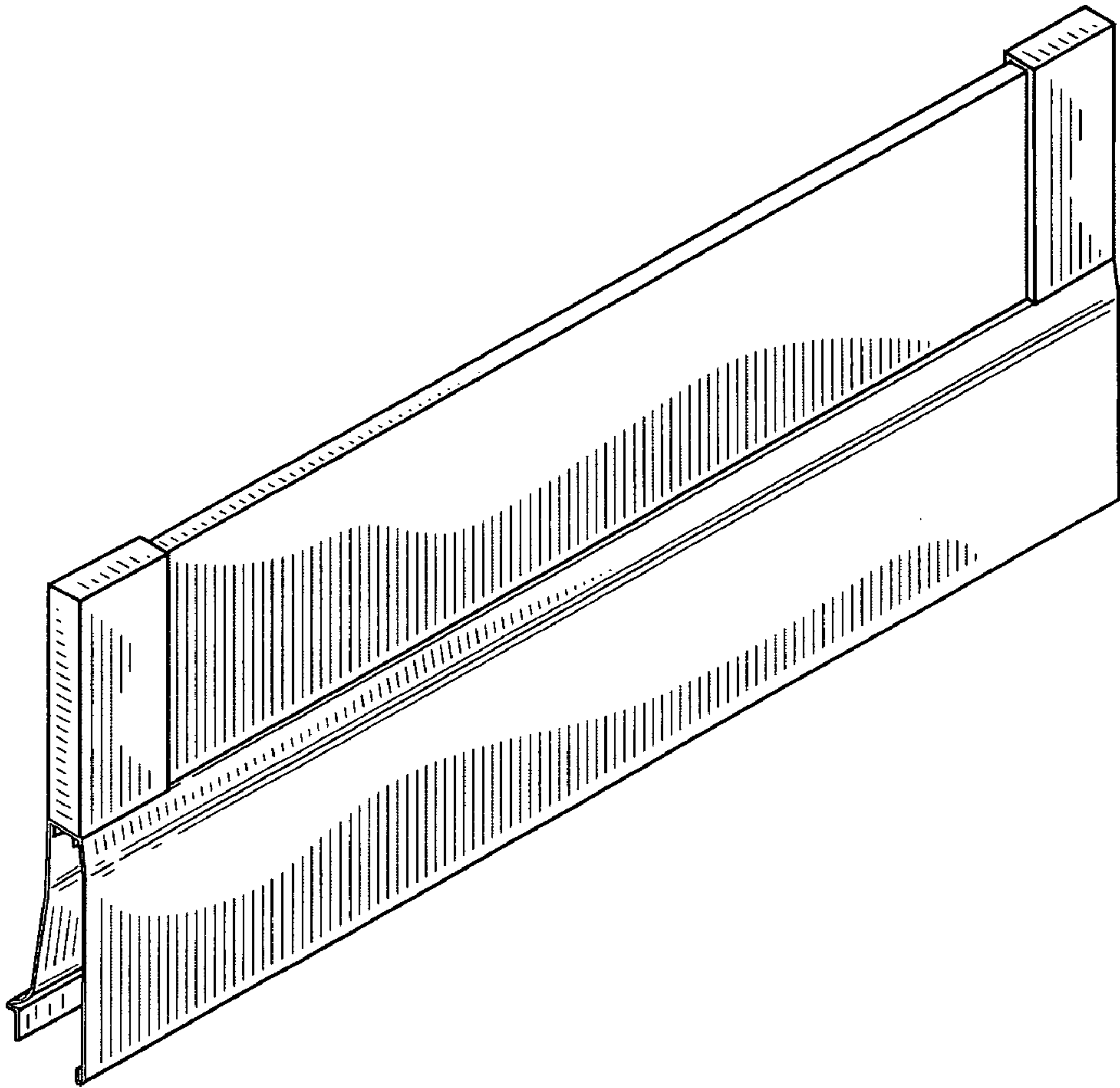


FIG. 1

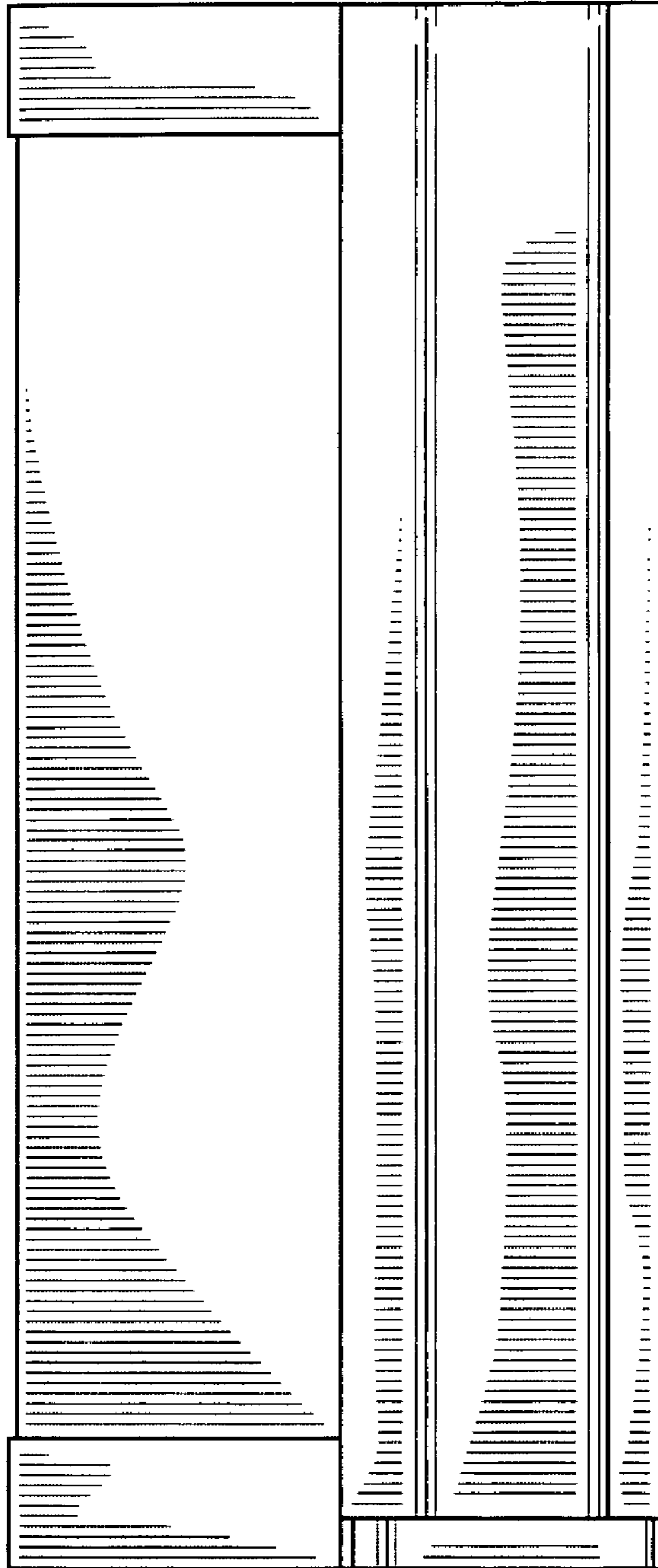


FIG. 2



FIG. 3



FIG. 4

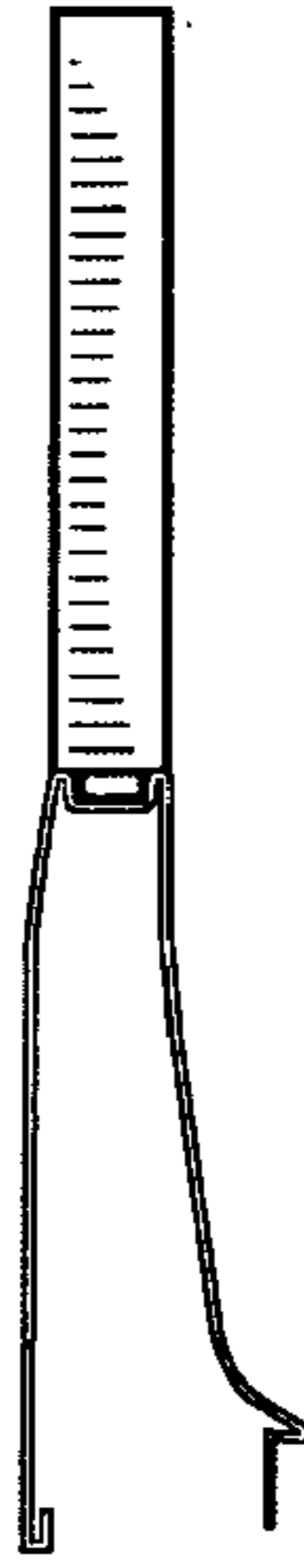


FIG. 5



FIG. 6

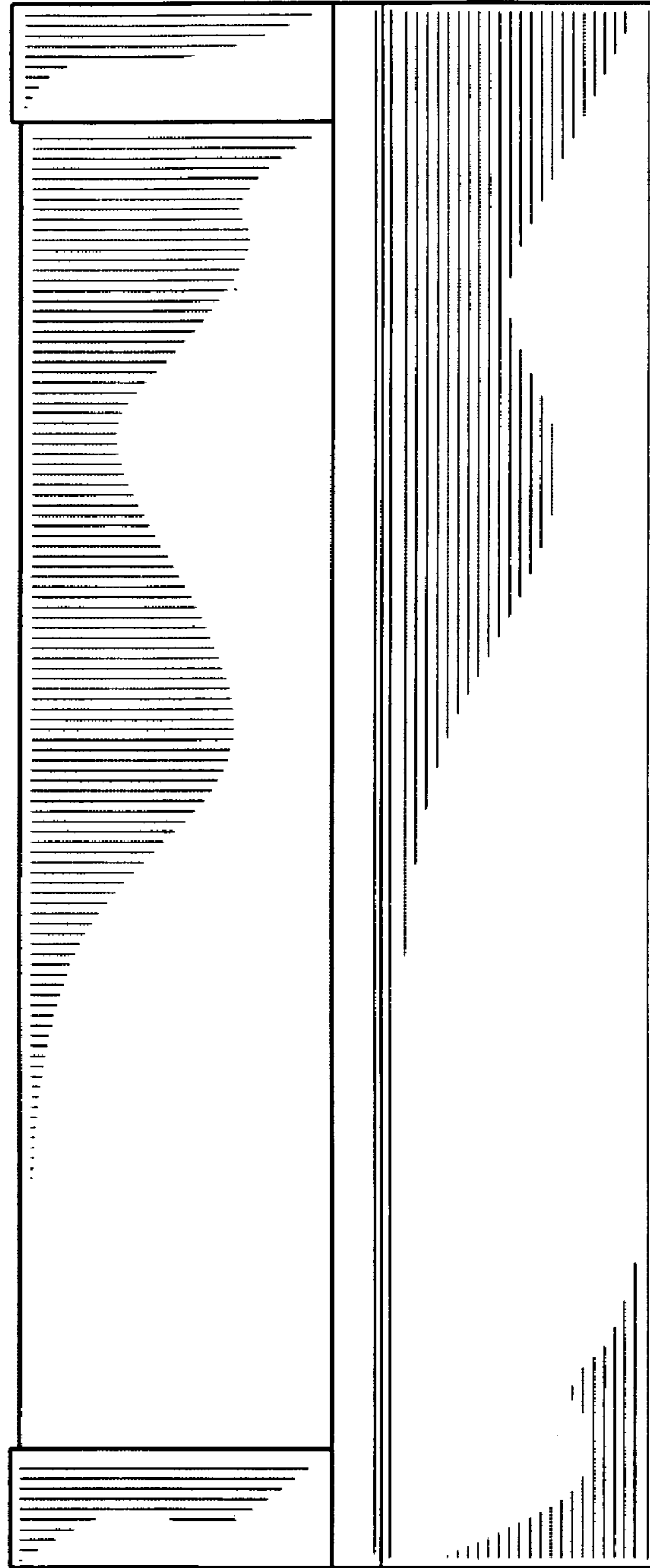


FIG. 7