



US00D572510S

(12) **United States Design Patent**
Böhler

(10) **Patent No.:** **US D572,510 S**
(45) **Date of Patent:** **** Jul. 8, 2008**

(54) **PART OF DRAWERS**

(75) Inventor: **Jürgen Böhler**, Lauterach (AT)

(73) Assignee: **Julius Blum GmbH**, Hochst (AT)

(**) Term: **14 Years**

(21) Appl. No.: **29/274,582**

(22) Filed: **May 7, 2007**

(51) **LOC (8) Cl.** **06-06**

(52) **U.S. Cl.** **D6/510**

(58) **Field of Classification Search** D3/318-319;
D6/336, 432, 436, 441, 445-446, 448, 509-511,
D6/574; D8/300-302; D25/60-61, 68-69,
D25/119, 122, 124-125; D34/27; 220/7,
220/4.01; 49/372, 408, 505; 52/100, 204.1,
52/204.2, 209, 211, 716.8, 775; 312/108,
312/109, 195, 199, 204, 234.5, 257.1, 265.1,
312/263, 297, 310, 330.1, 334.14, 334.18,
312/334.27, 334.8, 348.1-348.4

See application file for complete search history.

(56) **References Cited**

U.S. PATENT DOCUMENTS

2,701,174	A *	2/1955	Franks	312/263
3,315,834	A *	4/1967	Nemlich	220/4.01
3,612,639	A *	10/1971	Williams	312/310
3,722,974	A *	3/1973	Hartman	312/348.2
4,042,288	A *	8/1977	Litchfield	312/348.2
4,079,852	A *	3/1978	Stoffregen	220/7
D255,741	S *	7/1980	Litchfield et al.	D6/510

4,403,817	A *	9/1983	Aidar	312/265.1
5,348,386	A *	9/1994	Grass	312/348.2
5,364,180	A *	11/1994	Berger	312/334.14
5,484,198	A *	1/1996	Pilliod	312/334.18
5,556,183	A *	9/1996	Brustle et al.	312/348.1
5,618,092	A *	4/1997	Doud et al.	312/348.1
5,671,989	A *	9/1997	Lautenschlager	312/348.1
5,971,516	A *	10/1999	Huber	312/348.1
5,992,958	A *	11/1999	Scheible	312/348.2
6,623,091	B2 *	9/2003	Li	312/330.1
D563,125	S *	3/2008	Held	D6/510

* cited by examiner

Primary Examiner—Stella M. Reid

Assistant Examiner—Ricky Pham

(74) *Attorney, Agent, or Firm*—Wenderoth, Lind & Ponack, L.L.P.

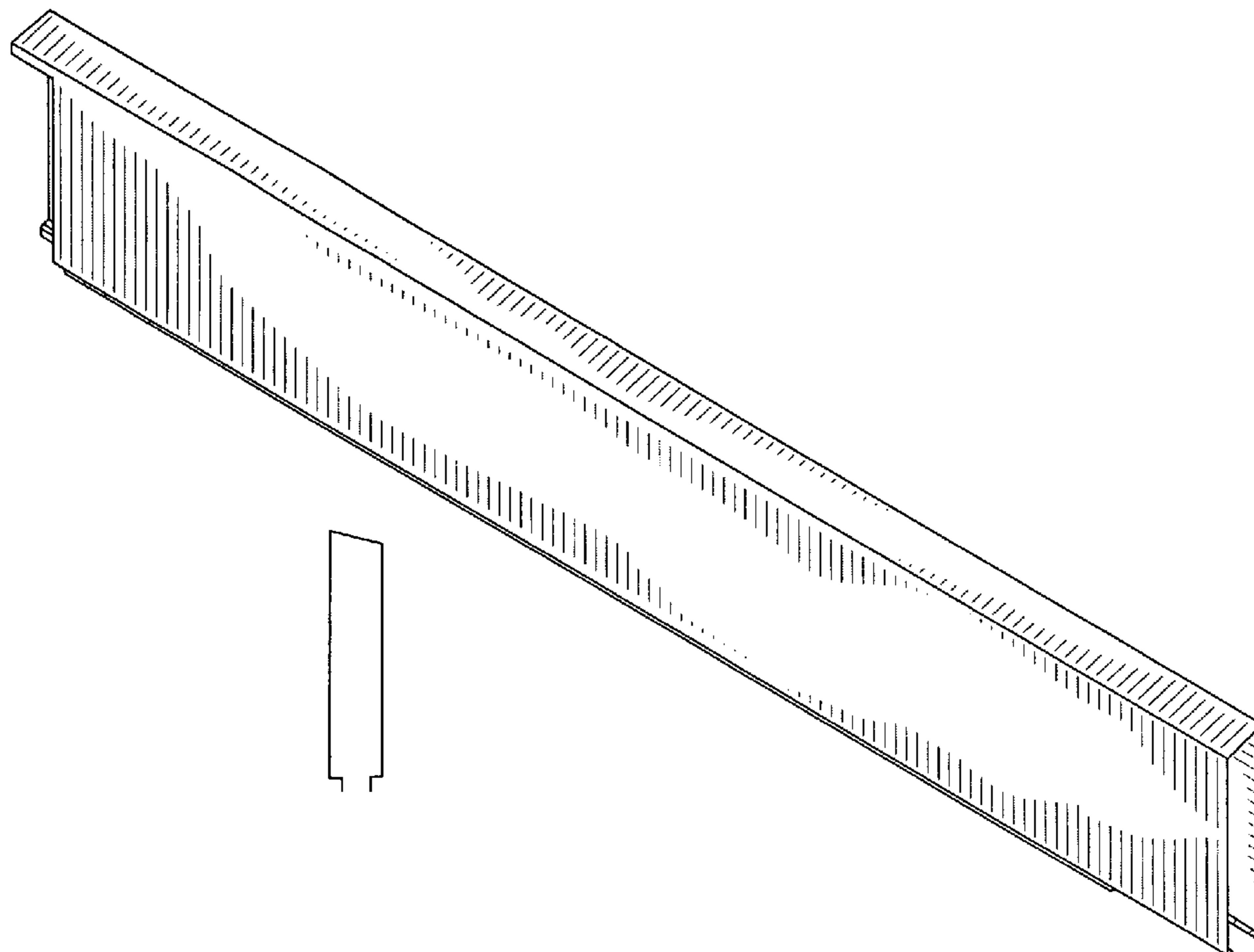
(57) **CLAIM**

The ornamental design for a part of drawers, as shown.

DESCRIPTION

FIG. 1 is a perspective view of a part of drawers;
FIG. 2 is a top view of the part of drawers of FIG. 1;
FIG. 3 is a bottom view of the part of drawers of FIG. 1;
FIG. 4 is a front view of the part of drawers of FIG. 1;
FIG. 5 is a back view of the part of drawers of FIG. 1;
FIG. 6 is a right side view of the part of drawers of FIG. 1; and,
FIG. 7 is a left side view of the part of drawers of FIG. 1.

1 Claim, 4 Drawing Sheets



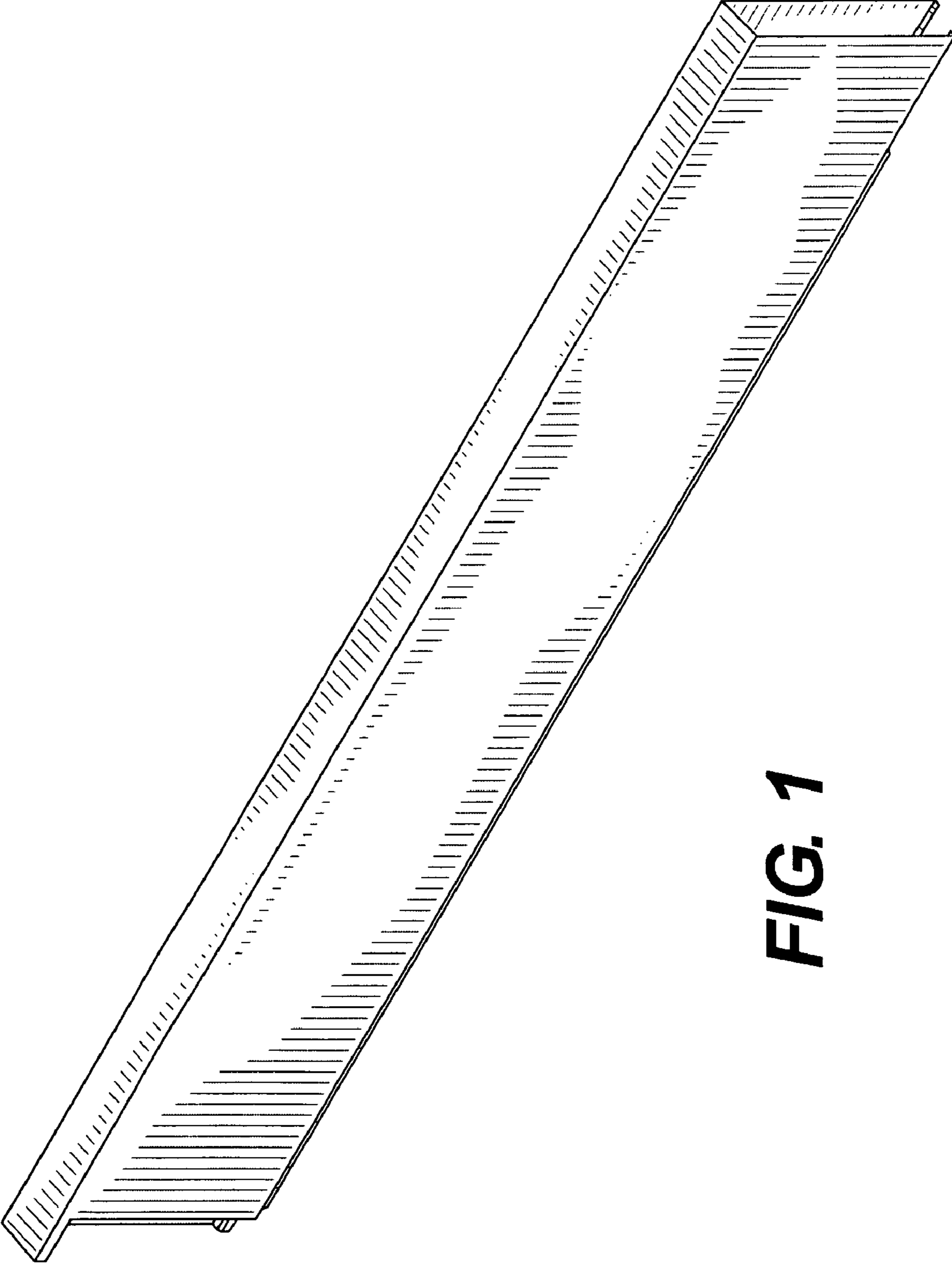


FIG. 1



FIG. 2



FIG. 3

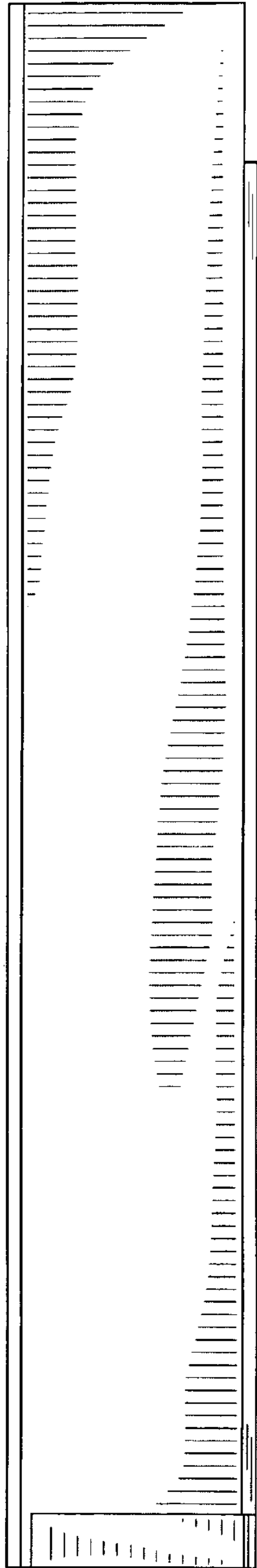


FIG. 4

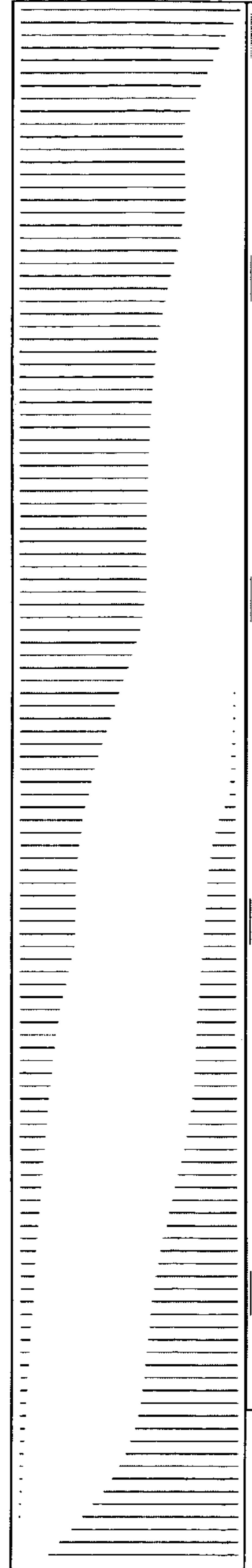


FIG. 5



FIG. 6

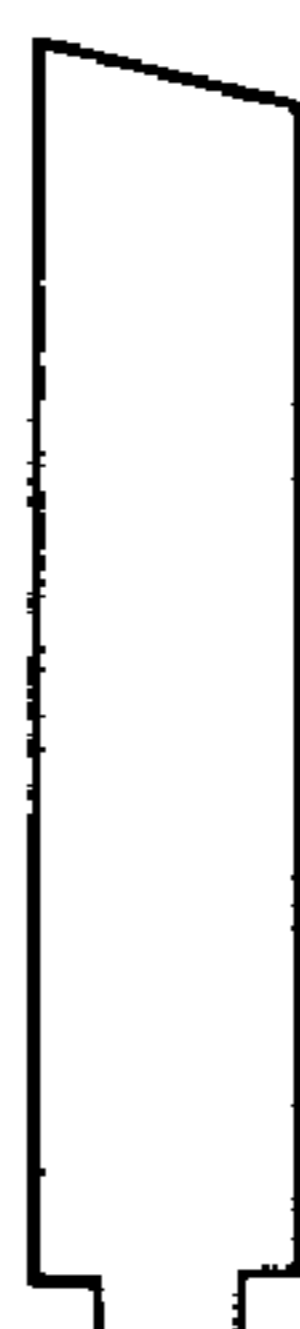


FIG. 7