



US00D572508S

(12) **United States Design Patent**
Tagliati et al.

(10) **Patent No.:** **US D572,508 S**

(45) **Date of Patent:** **** Jul. 8, 2008**

(54) **SPORT CHAIR**

(75) Inventors: **Mario Tagliati**, Thousand Oaks, CA (US); **Kevin Guy**, Moorpark, CA (US)

(73) Assignee: **Picnic Time, Inc.**, Moorpark, CA (US)

(**) Term: **14 Years**

(21) Appl. No.: **29/248,103**

(22) Filed: **Jul. 27, 2006**

(51) **LOC (8) Cl.** **06-01**

(52) **U.S. Cl.** **D6/500**

(58) **Field of Classification Search** D6/334–338,
D6/360, 367, 374, 375, 482, 491, 495, 500–502;
297/83, 157.1, 158.3, 170, 184.16, 188.14,
297/244, 423.19; 5/12.1, 12.2

See application file for complete search history.

(56) **References Cited**

U.S. PATENT DOCUMENTS

1,258,045	A *	3/1918	Premysl	297/52
3,050,280	A *	8/1962	Regan	248/514
4,201,416	A *	5/1980	Vanderminden	297/184.15
4,300,798	A *	11/1981	Musgrove et al.	297/184.15
4,687,249	A *	8/1987	Mills	297/184.15
4,871,141	A *	10/1989	Chen	248/534
5,110,184	A *	5/1992	Stein et al.	297/344.26
5,350,215	A *	9/1994	DeMars	297/188.14
D365,451	S *	12/1995	Shahid	D6/336
5,582,458	A *	12/1996	Wildt	297/184.15
5,641,197	A *	6/1997	Springmann	297/188.11
6,036,262	A *	3/2000	Shahid	297/188.04
6,471,289	B2 *	10/2002	Aguilar	297/184.16
D486,310	S *	2/2004	Goldy	D6/335

D490,251	S *	5/2004	Lin	D6/336
6,979,056	B1 *	12/2005	Goldszer	297/184.15
D516,296	S *	3/2006	Napieraj	D3/10
D536,886	S *	2/2007	Hart	D6/336
7,226,126	B1 *	6/2007	Spanovich	297/184.16

* cited by examiner

Primary Examiner—Sandra Snapp

(74) *Attorney, Agent, or Firm*—Jeffer Mangels; Butler & Marmaro LLP

(57) **CLAIM**

The ornamental design for a sport chair, as shown and described.

DESCRIPTION

FIG. 1 is a perspective view of an embodiment of the present invention;

FIG. 2 is a front elevational view of the embodiment of the present invention shown in FIG. 1;

FIG. 3 is a right side elevational view of the embodiment of the present invention shown in FIG. 1;

FIG. 4 is a left side elevational view of the embodiment of the present invention shown in FIG. 1;

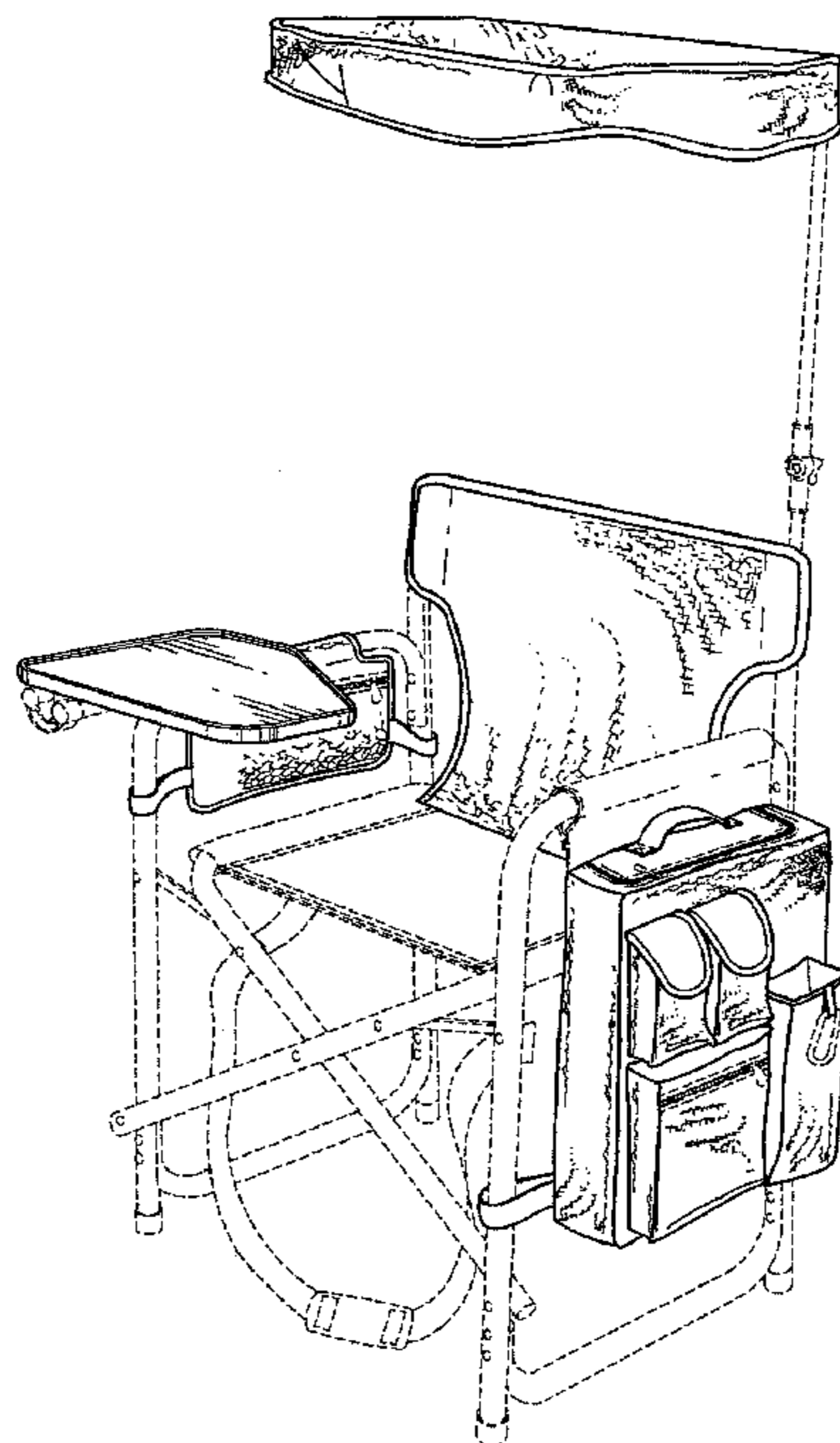
FIG. 5 is a rear elevational view of the embodiment of the present invention shown in FIG. 1;

FIG. 6 is a top plan view of the embodiment of the present invention shown in FIG. 1; and,

FIG. 7 is a bottom plan view of the embodiment of the present invention shown in FIG. 1.

The broken lines and shading in FIGS. 1–7 are for illustrative purposes only and form no part of the claimed design.

1 Claim, 6 Drawing Sheets



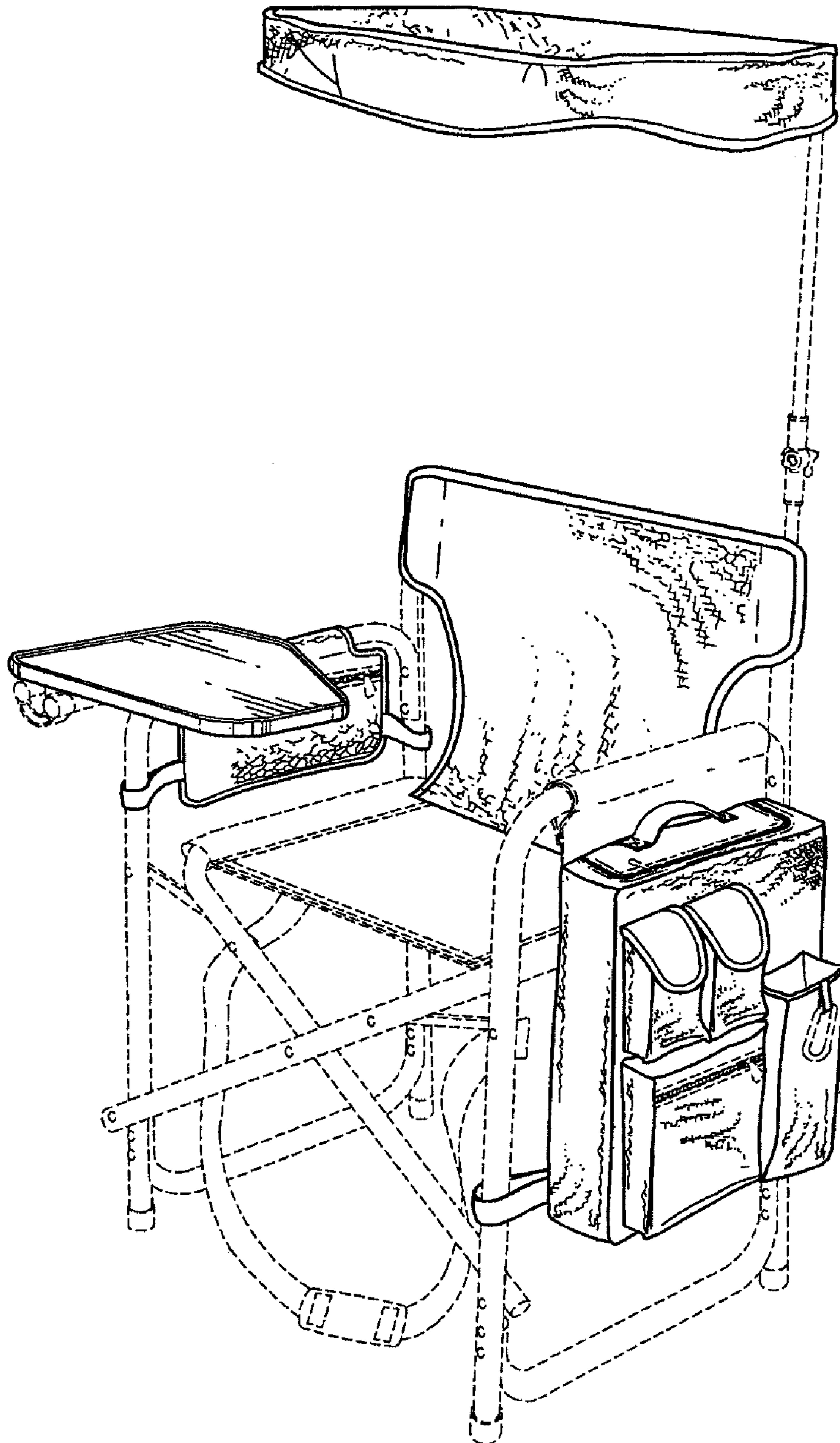


FIG. 1

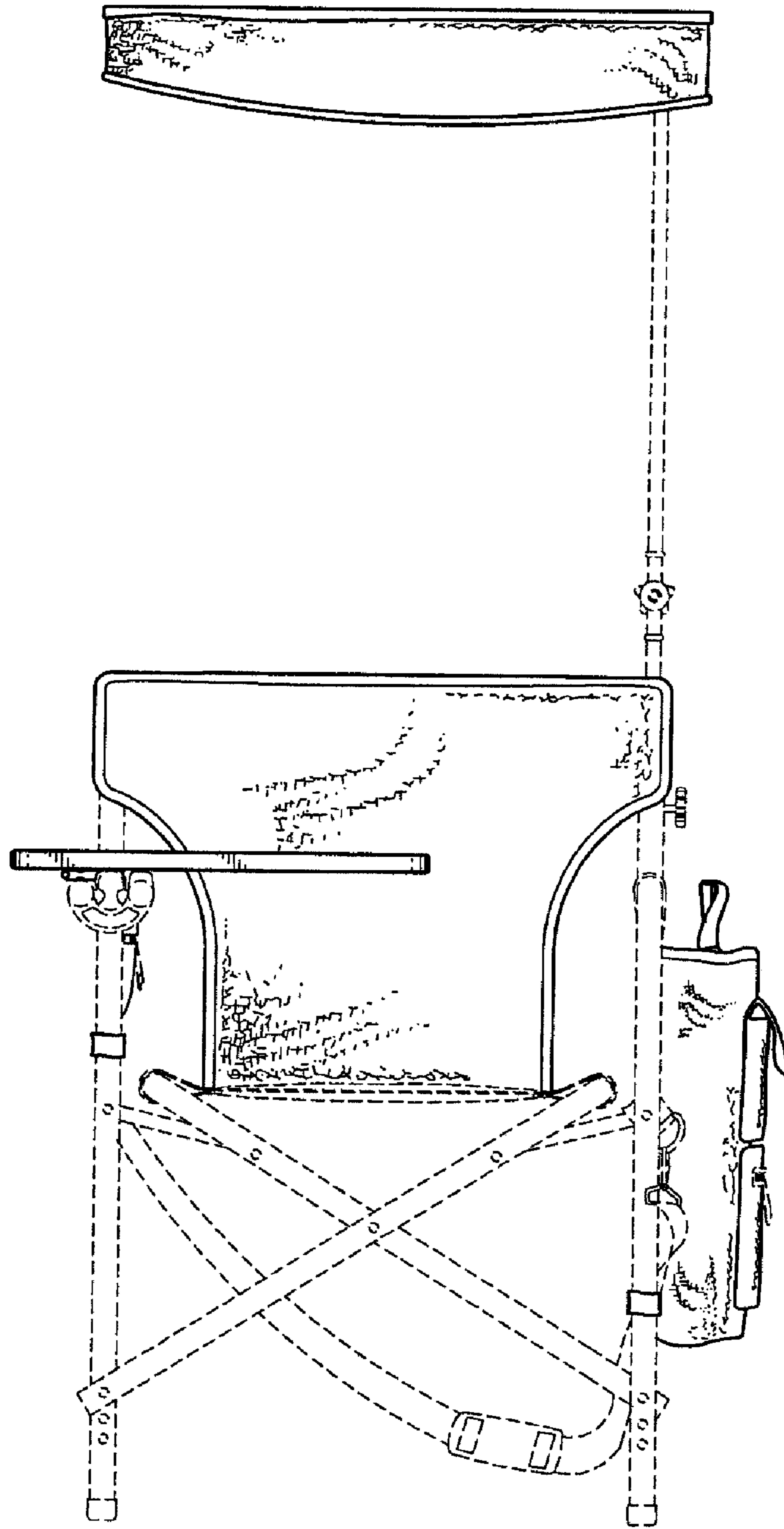


FIG. 2

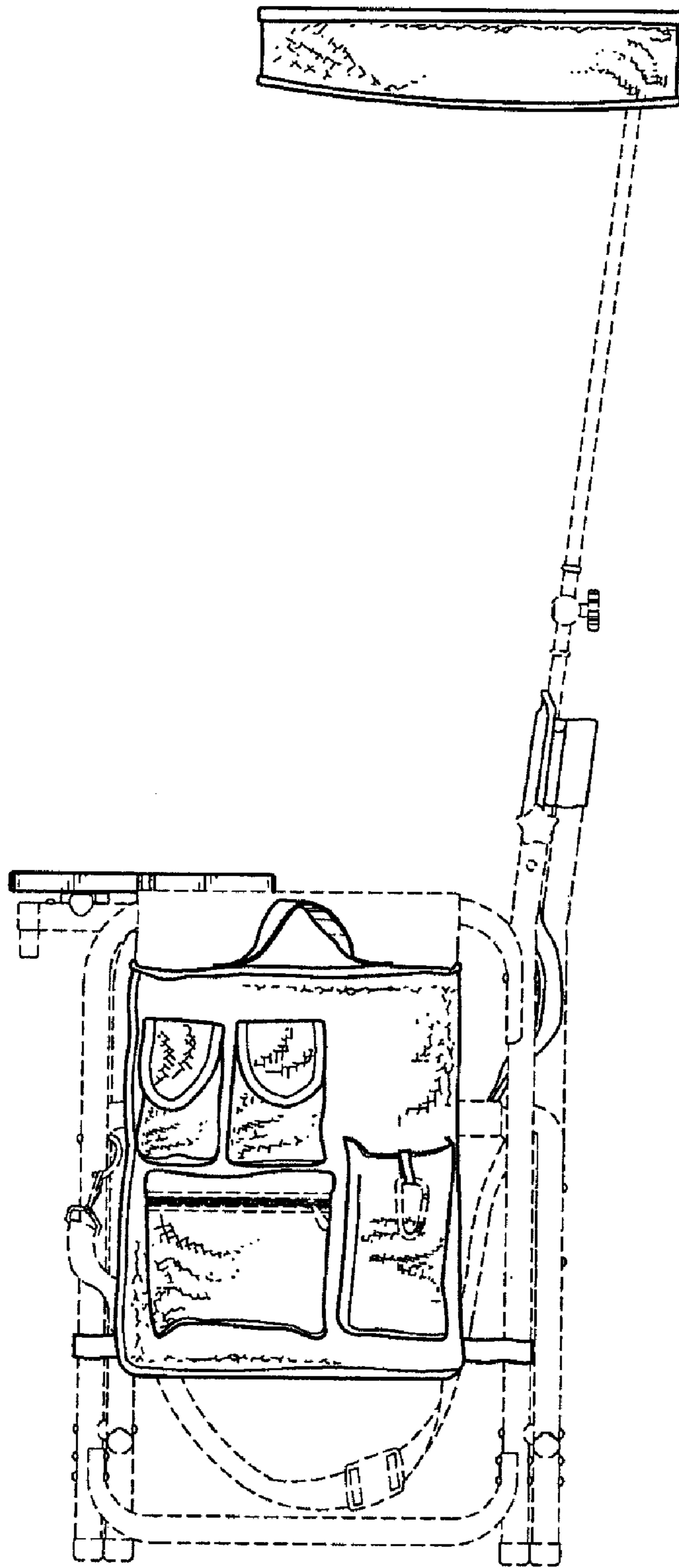


FIG. 3

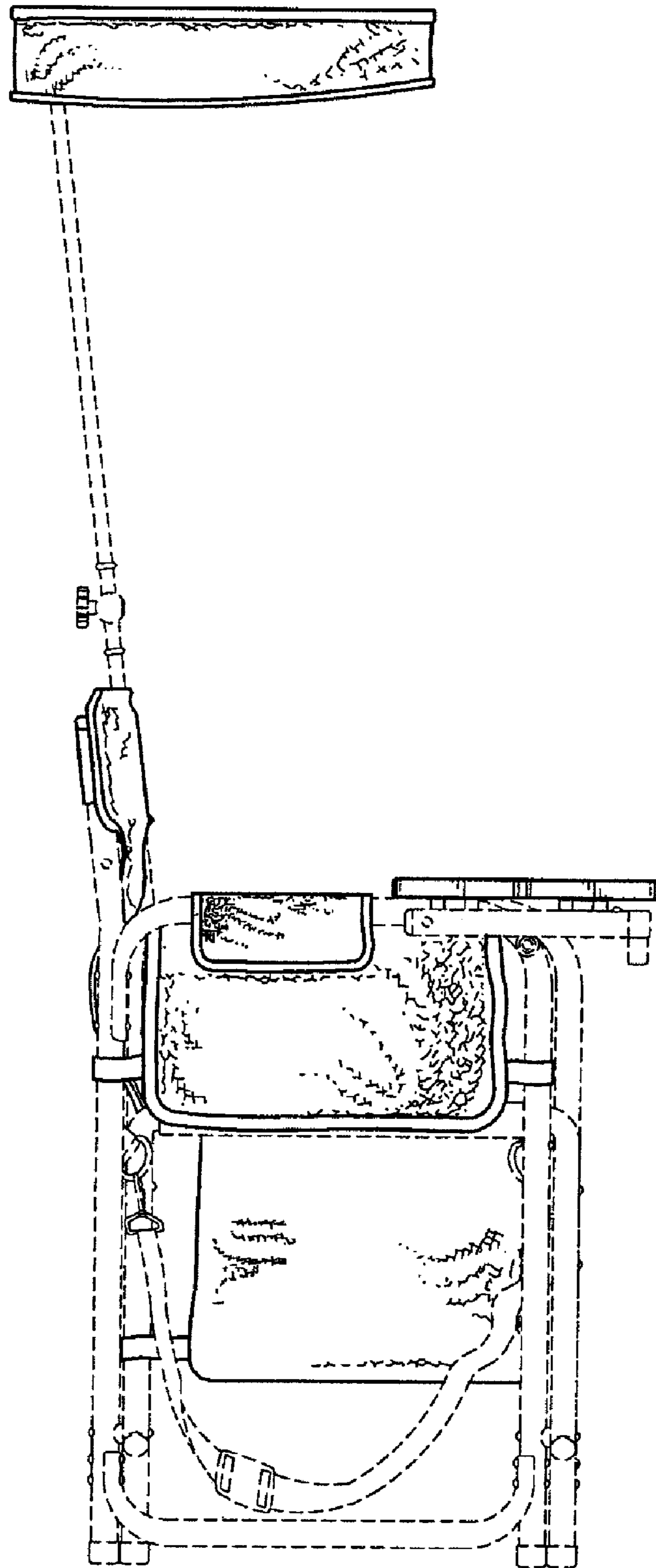


FIG. 4

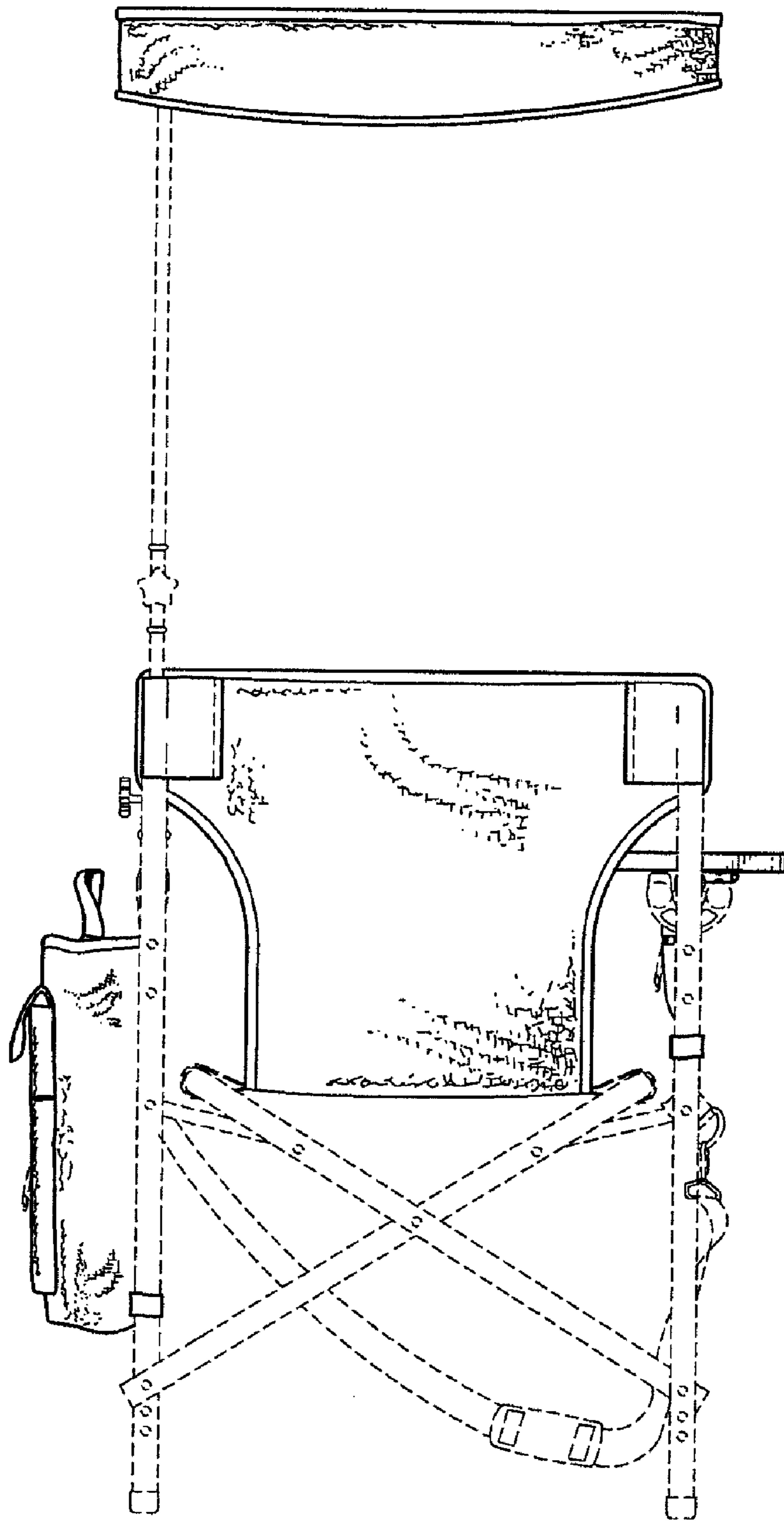


FIG. 5

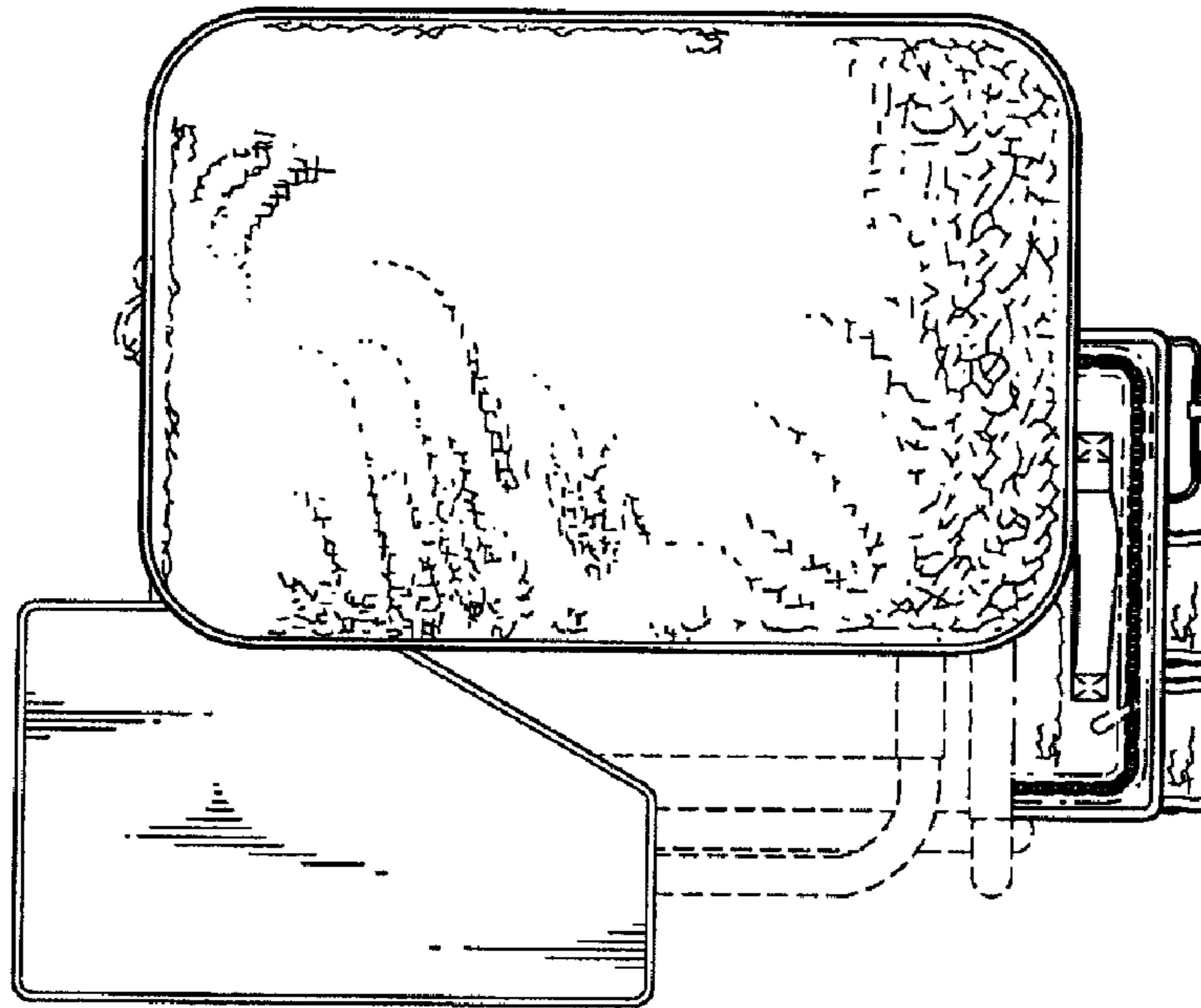


FIG. 6

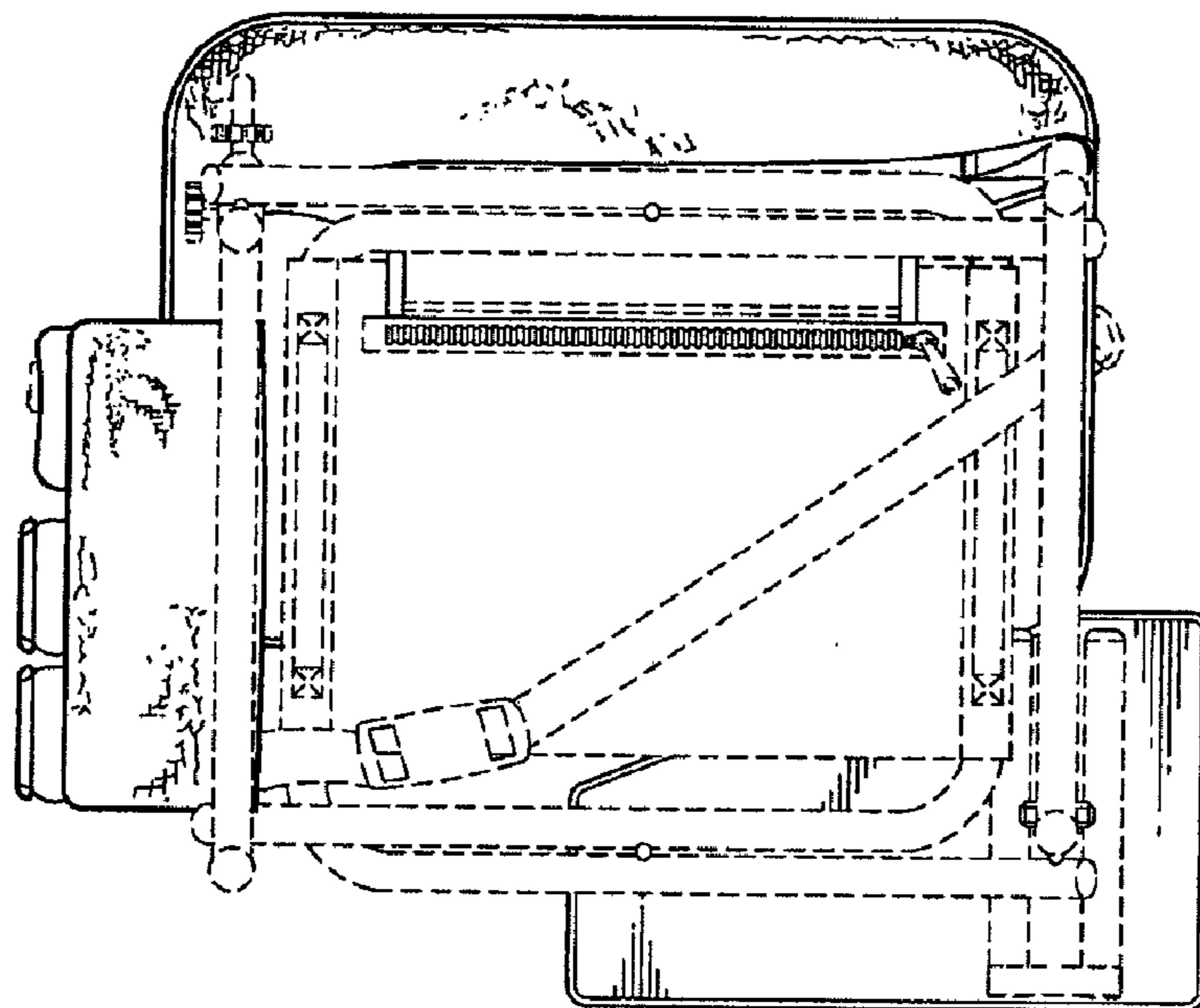


FIG. 7