



US00D572507S

(12) **United States Design Patent**  
**Eul**

(10) **Patent No.:** **US D572,507 S**

(45) **Date of Patent:** **\*\* Jul. 8, 2008**

(54) **FURNITURE LEG**

(76) Inventor: **Timothy E. Eul**, 700 Atlantic Ave.,  
Morris, MN (US) 56267-1138

(\*\*) Term: **14 Years**

(21) Appl. No.: **29/291,922**

(22) Filed: **Sep. 21, 2007**

(51) **LOC (8) Cl.** ..... **06-06**

(52) **U.S. Cl.** ..... **D6/495**

(58) **Field of Classification Search** ..... D6/480-489,  
D6/495-499, 429-431; 108/150, 50.01,  
108/50.02, 152, 153.1, 155, 156, 157.1; 248/188,  
248/188.1, 188.7, 188.8, 188.9

See application file for complete search history.

(56) **References Cited**

**U.S. PATENT DOCUMENTS**

1,638,725 A	8/1927	Chesnutt	
D79,193 S *	8/1929	Joham	D6/495
D81,383 S *	6/1930	Candlish	D6/495
D83,873 S *	4/1931	Moorehead	D6/495
1,824,923 A	9/1931	Parsons	

1,898,309 A	2/1933	Noelting	
D209,273 S	11/1967	Steinwedek et al.	
5,287,595 A	2/1994	Stevens, Jr.	
D376,713 S	12/1996	Kelso	
D482,548 S *	11/2003	Lenger	D6/495
D493,307 S *	7/2004	Lenger	D6/495
6,915,993 B2	7/2005	O'Leary	
D568,640 S *	5/2008	Thompson	D6/503
2002/0139909 A1	10/2002	Oyama et al.	

\* cited by examiner

*Primary Examiner*—Janice E Seeger

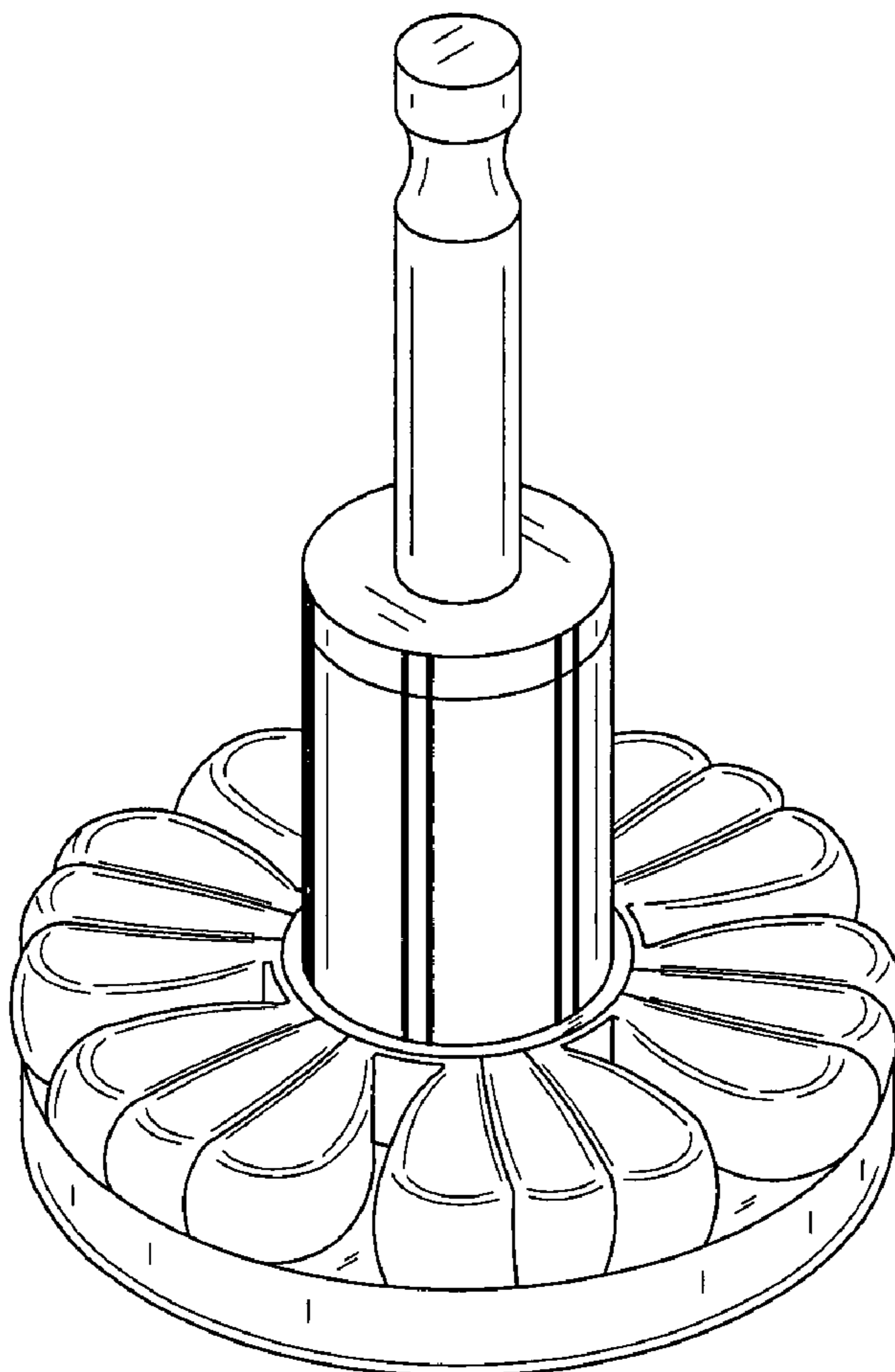
(57) **CLAIM**

The ornamental design for a furniture leg, as shown and described.

**DESCRIPTION**

FIG. 1 is a front view of the furniture leg;  
FIG. 2 is a rear view of the furniture leg;  
FIG. 3 is a top view of the furniture leg;  
FIG. 4 is a bottom view of the furniture leg; and,  
FIG. 5 is an isometric of the furniture leg.

**1 Claim, 2 Drawing Sheets**



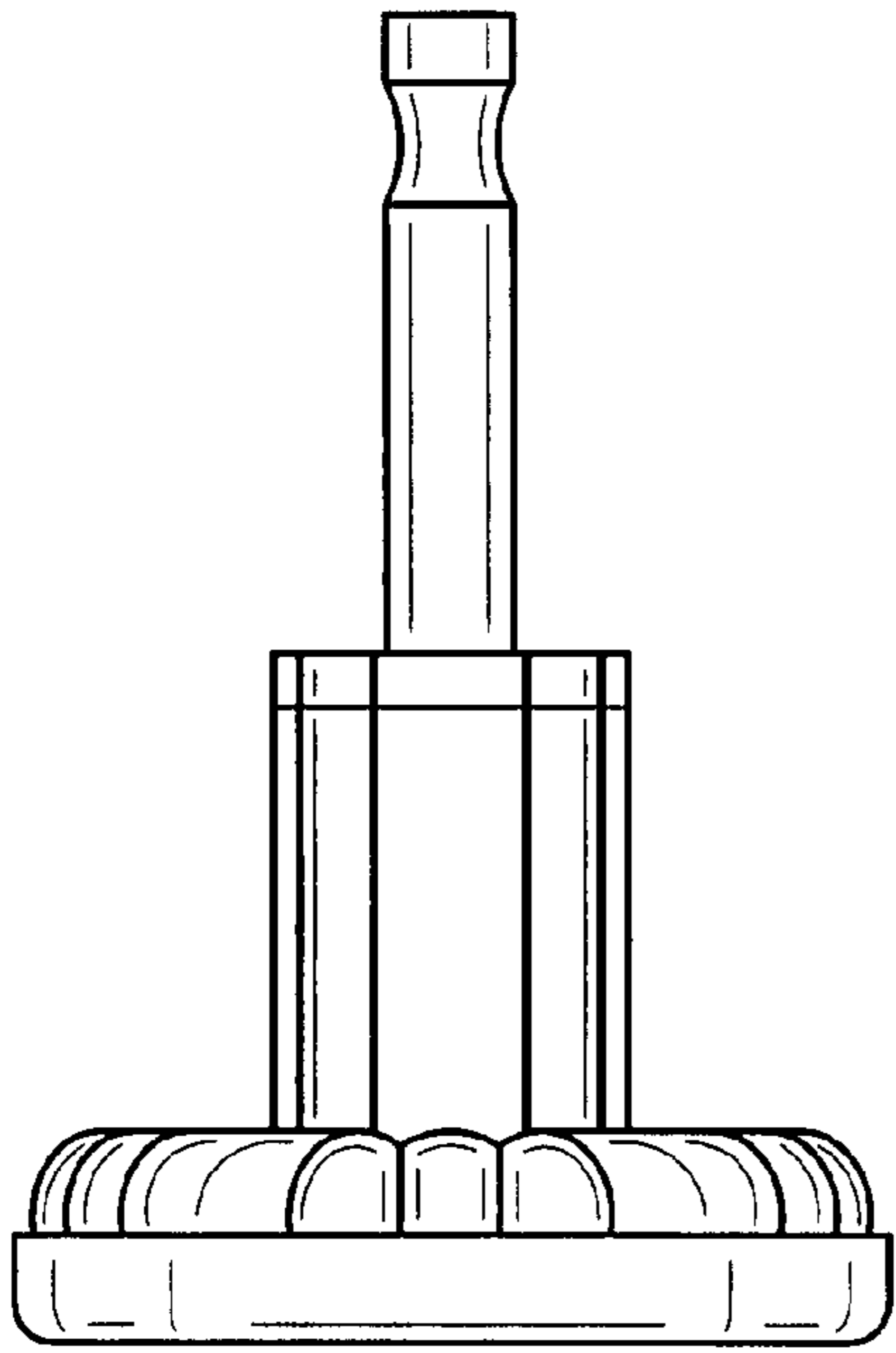


FIG. 1

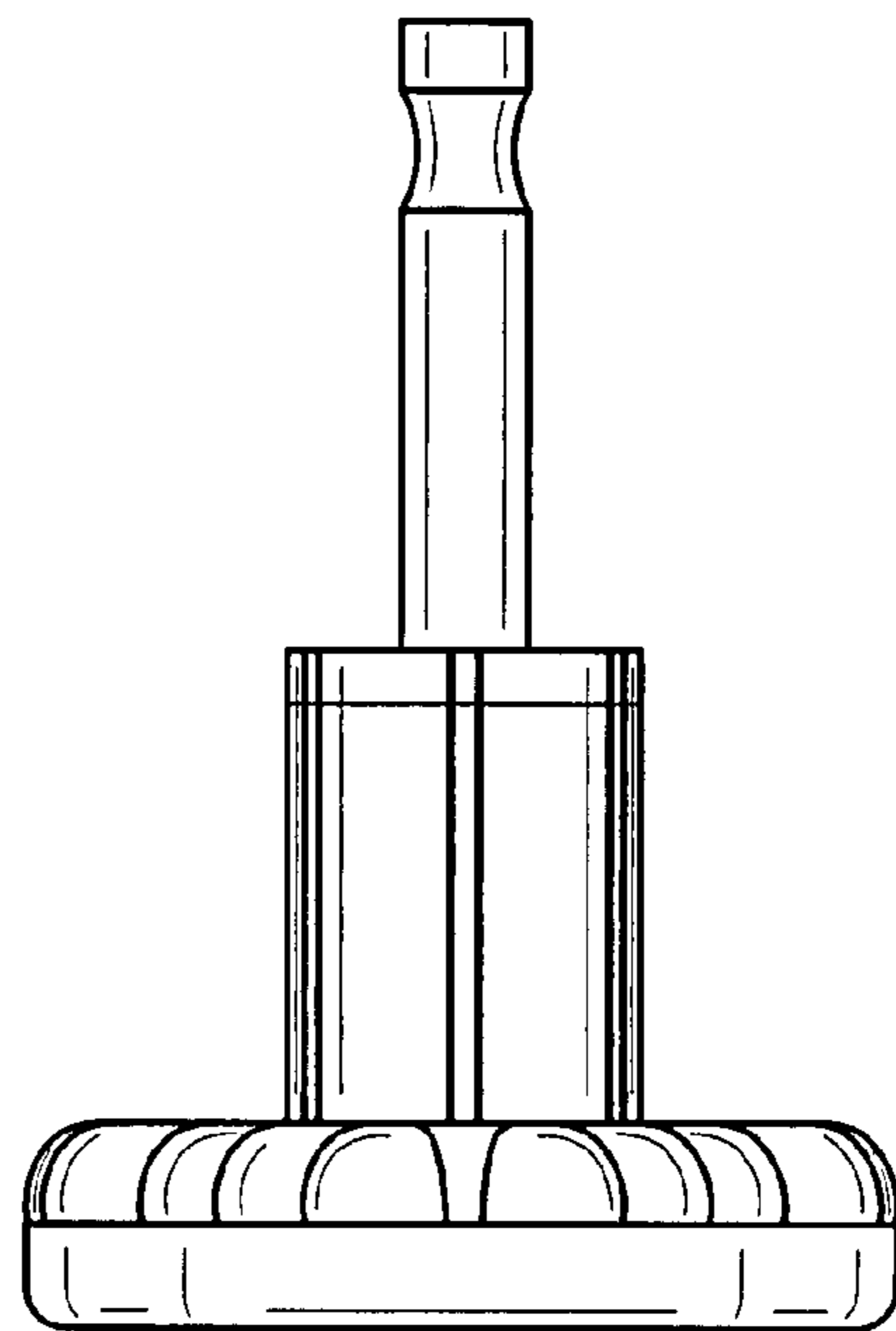


FIG. 2

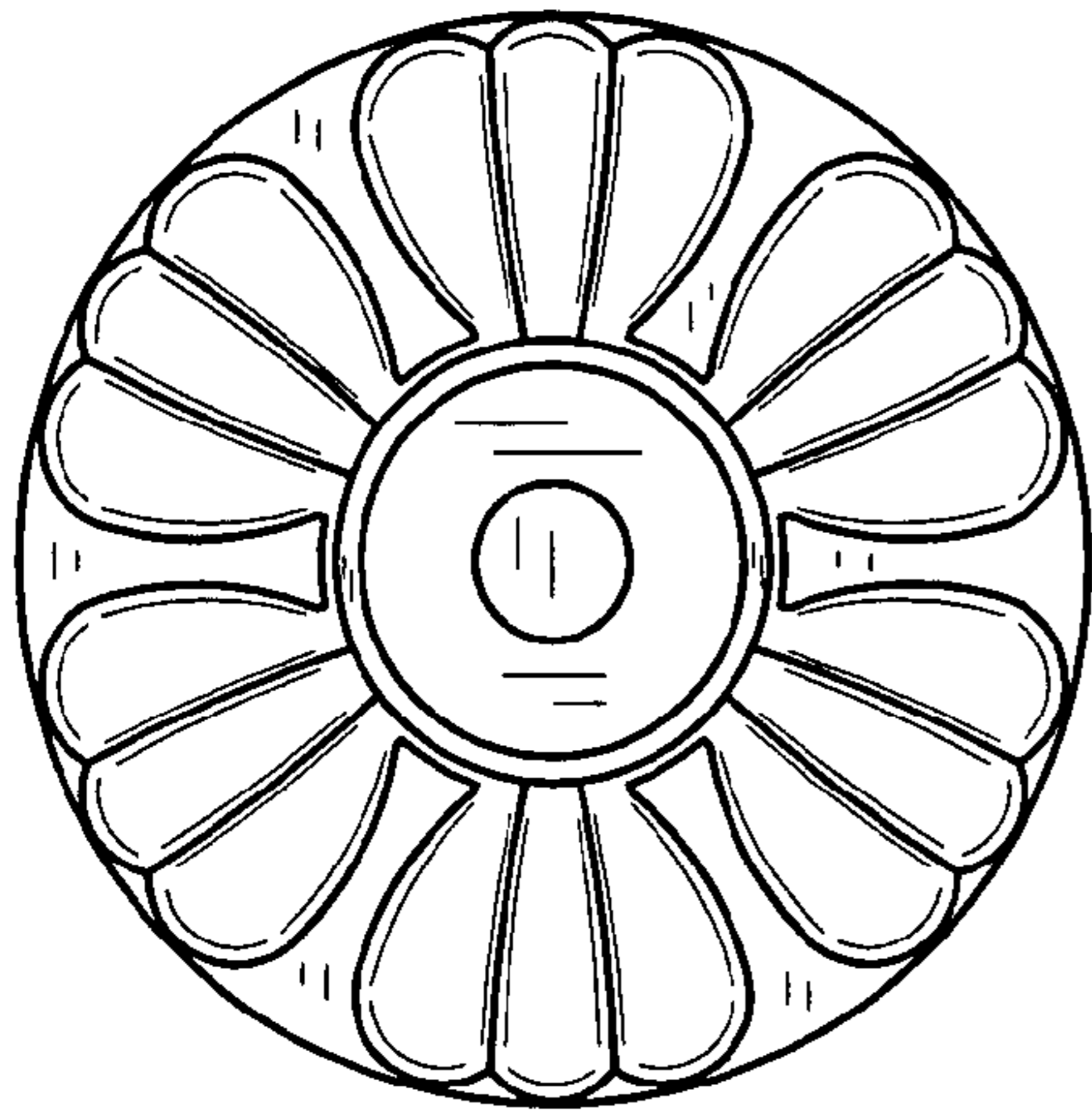


FIG. 3

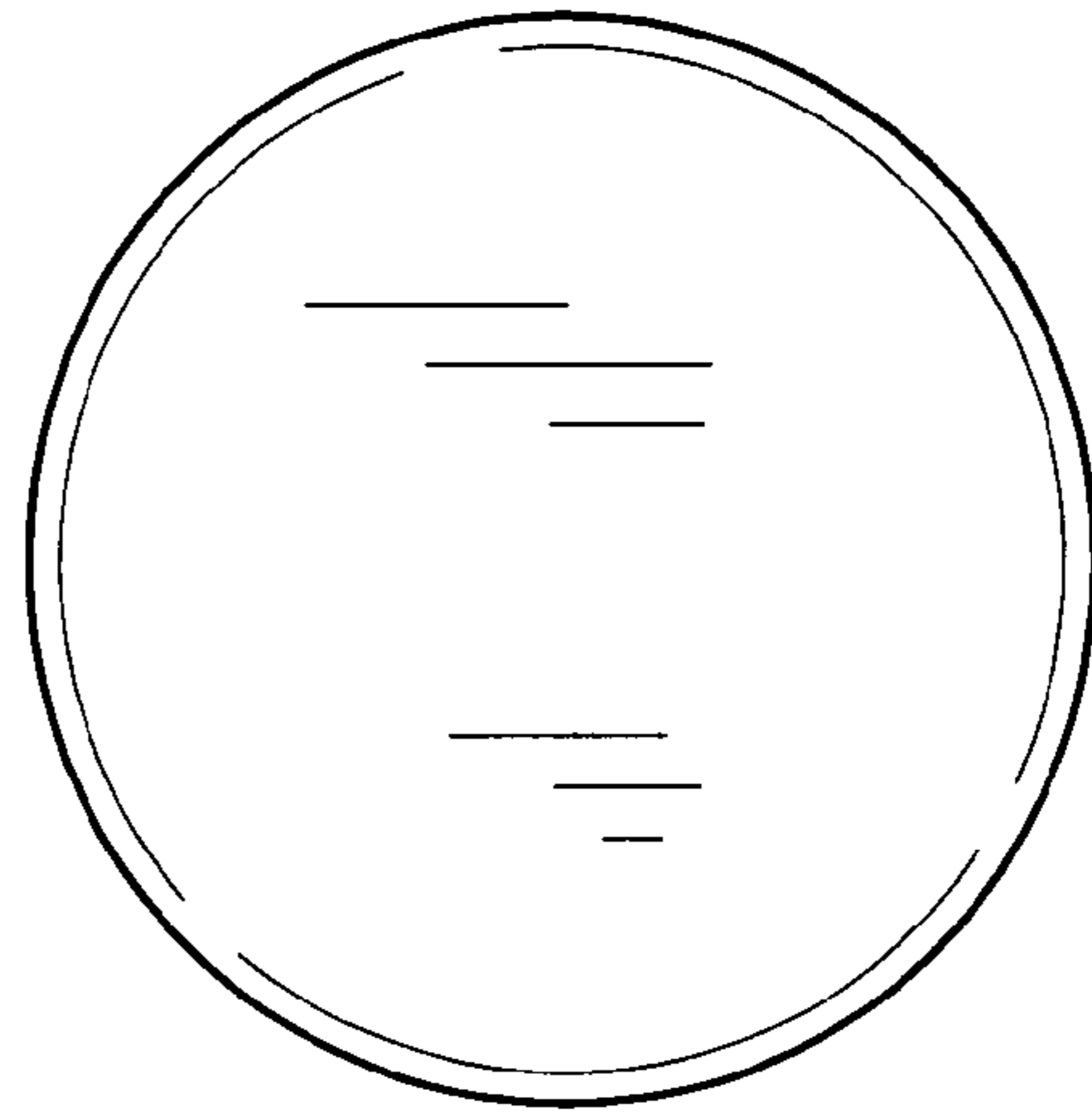


FIG. 4

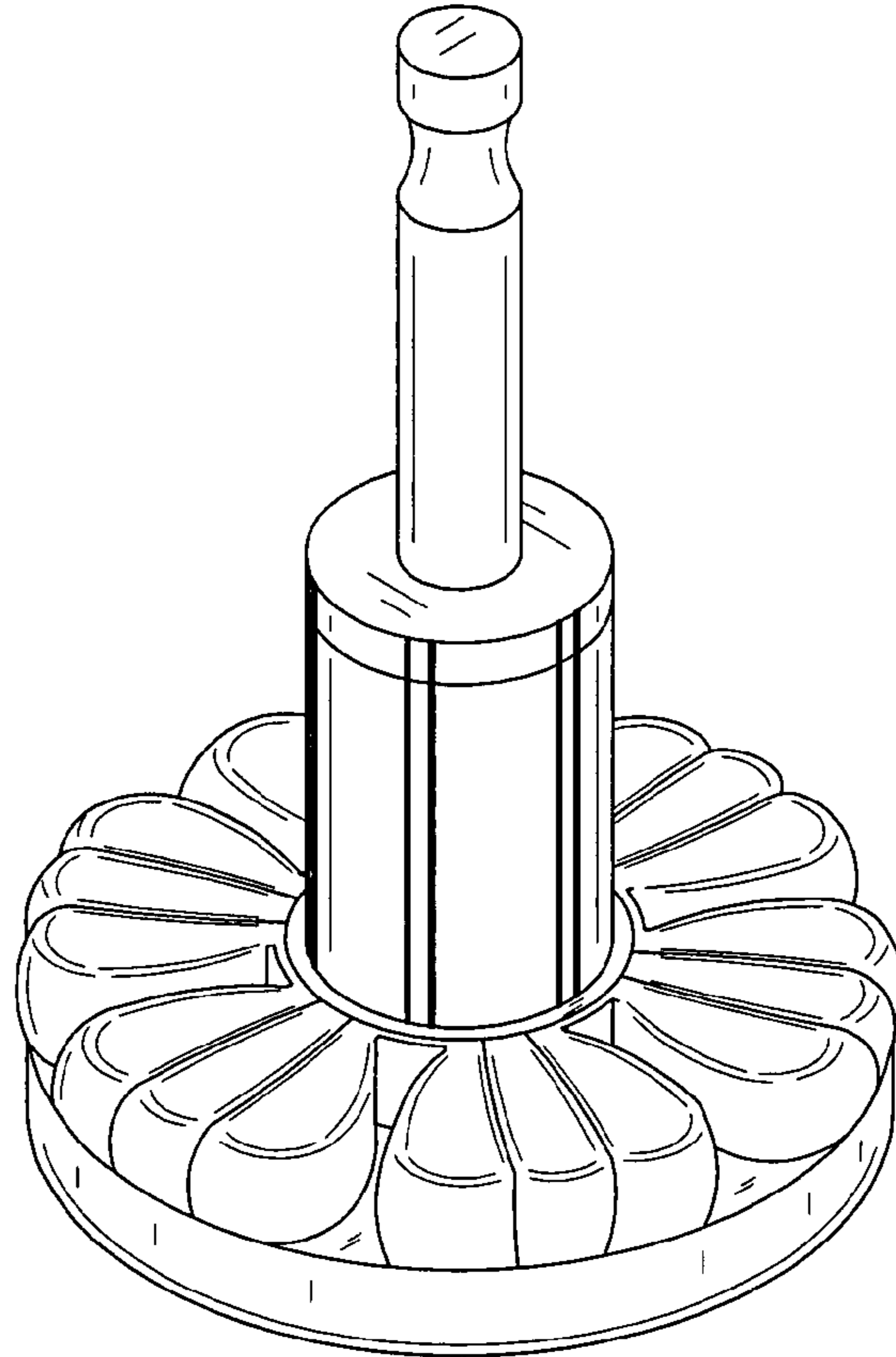


FIG. 5