



US00D572506S

(12) **United States Design Patent**
Magnusson

(10) **Patent No.:** **US D572,506 S**

(45) **Date of Patent:** **** Jul. 8, 2008**

(54) **SUPPORT STRUCTURE FOR A TABLE**

(75) **Inventor:** **Carl Gustav Magnusson**, New York, NY (US)

(73) **Assignee:** **TK Canada Limited**, Downsview, Ontario (CA)

(*) **Notice:** This patent is subject to a terminal disclaimer.

(**) **Term:** **14 Years**

(21) **Appl. No.:** **29/262,058**

(22) **Filed:** **Jun. 27, 2006**

(51) **LOC (8) Cl.** **06-06**

(52) **U.S. Cl.** **D6/495**

(58) **Field of Classification Search** D6/480-489, D6/495-499, 429, 492; 108/153.1, 155, 108/157.1, 161; 248/188, 188.1, 188.8
See application file for complete search history.

(56) **References Cited**

U.S. PATENT DOCUMENTS

3,592,145 A	7/1971	Petry	
D270,411 S *	9/1983	DeGregori	D6/480
D292,856 S *	11/1987	Jasinski	D6/484
4,748,913 A	6/1988	Favaretto et al.	
5,390,803 A	2/1995	McAllister	
5,560,160 A	10/1996	Vladikovic	
D389,676 S	1/1998	Diaz-Azcuy	

5,711,230 A	1/1998	Parsons	
D403,898 S	1/1999	Arnegger	
D404,939 S *	2/1999	Frank et al.	D6/495
D461,336 S	8/2002	Slear et al.	
6,622,876 B2	9/2003	Goldberg	
D498,088 S *	11/2004	Tsang	D6/484
2005/0144886 A1	7/2005	Holawe	

OTHER PUBLICATIONS

Zague Nn Innovation, by J. Strasborg, May 1, 1989 #1045 table at bottom of page.*

Interior Design Market, Sep. 1987, p. 90, table.*

* cited by examiner

Primary Examiner—Janice E Seeger

(74) *Attorney, Agent, or Firm*—Katten Muchin Rosenman LLP

(57) **CLAIM**

The ornamental design for a support structure for a table, as shown and described.

DESCRIPTION

FIG. 1 is a perspective view of a support structure for a table;

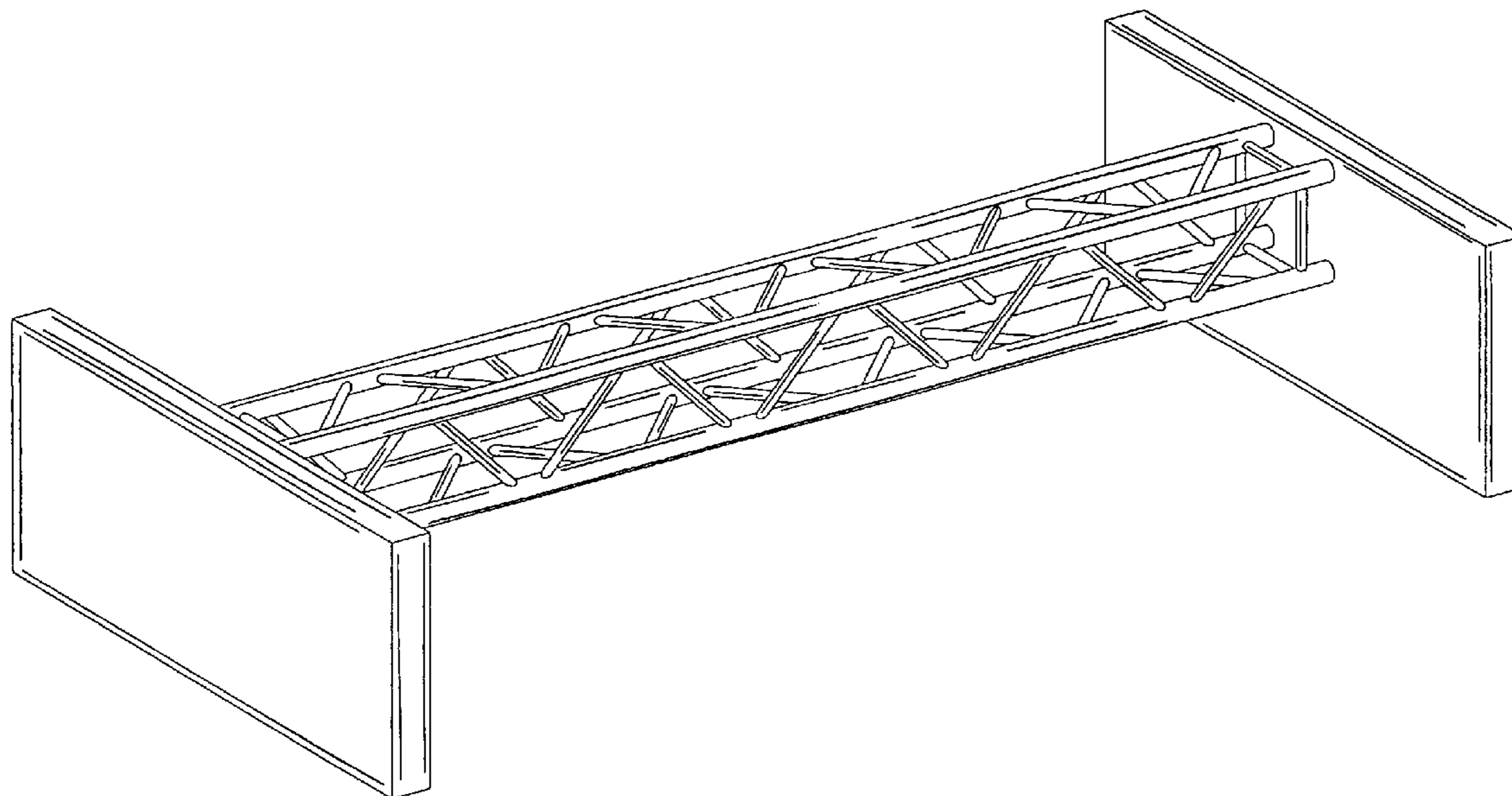
FIG. 2 is a top view thereof;

FIG. 3 is a bottom view thereof;

FIG. 4 is a front view thereof, the rear view being the same; and,

FIG. 5 is a right side view thereof, the left side view being the same.

1 Claim, 5 Drawing Sheets



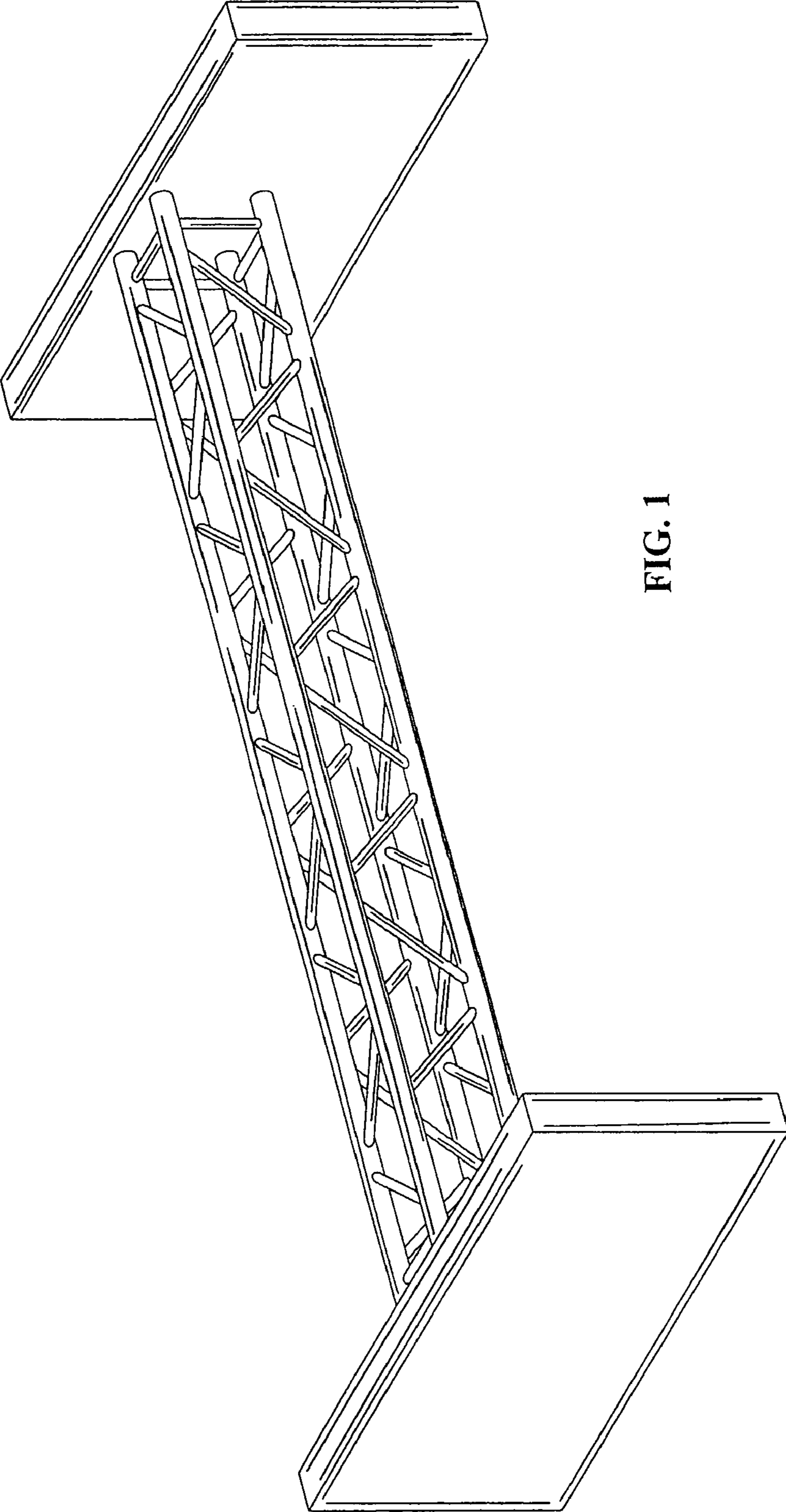


FIG. 1

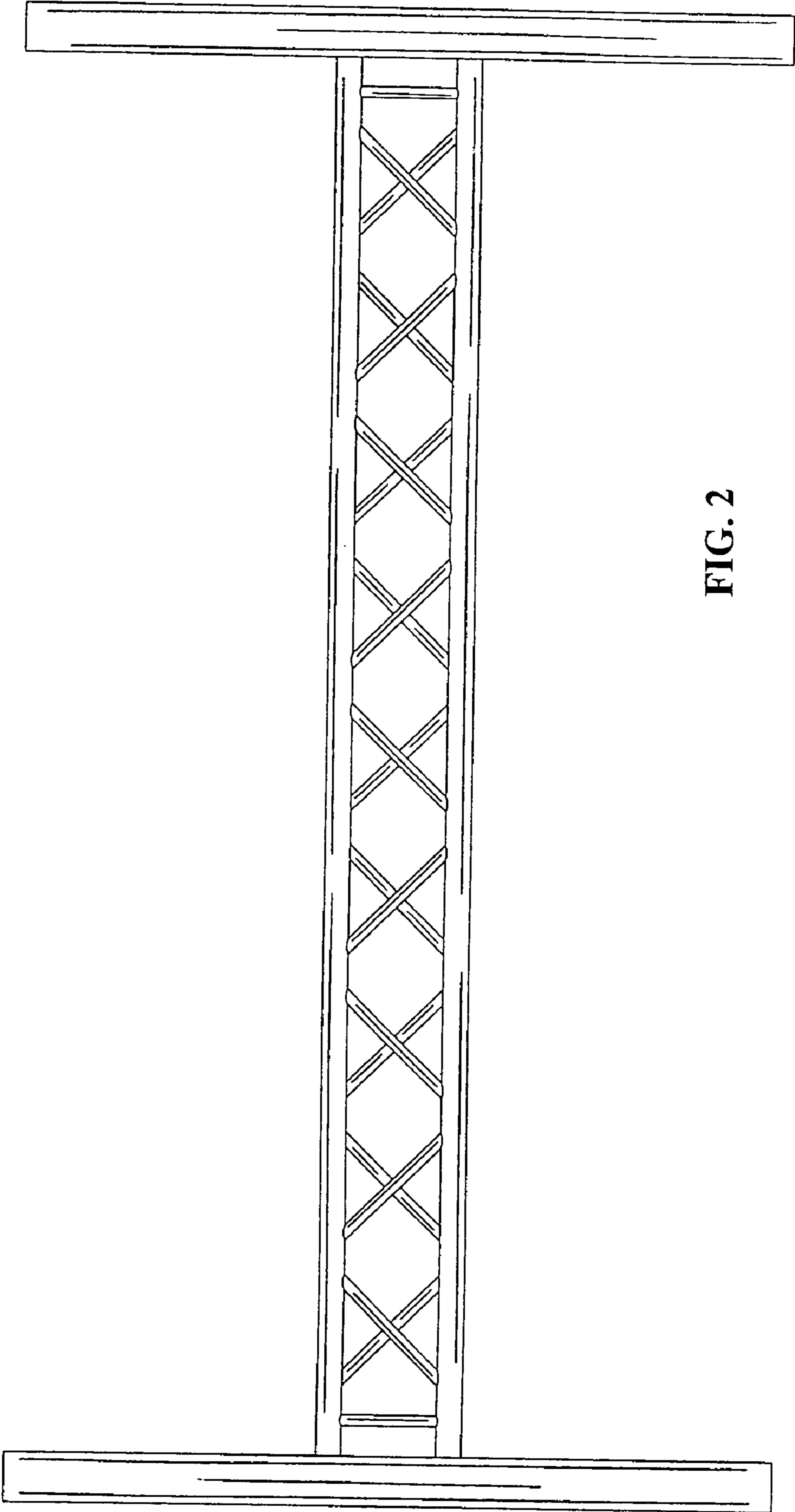


FIG. 2

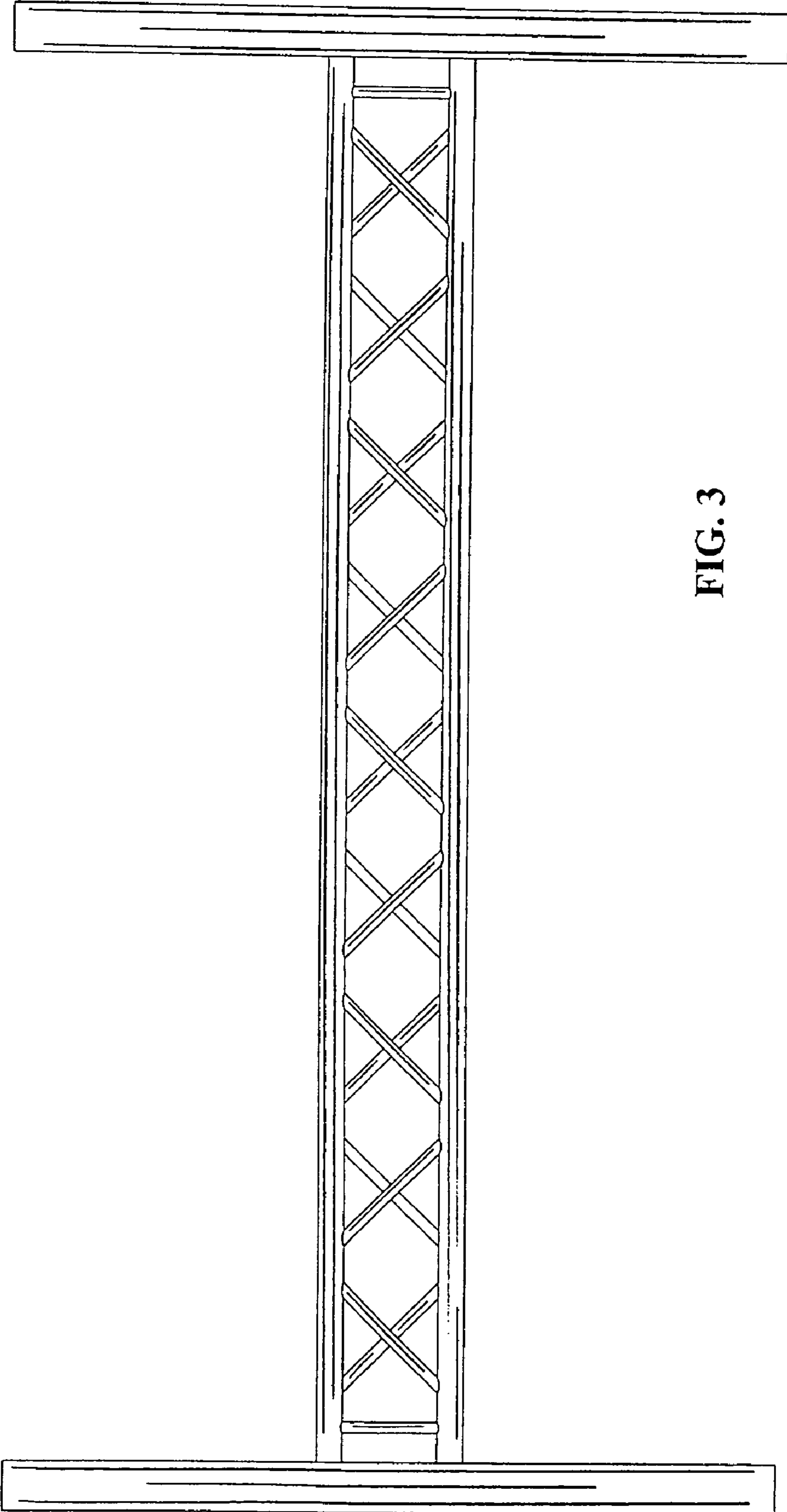


FIG. 3

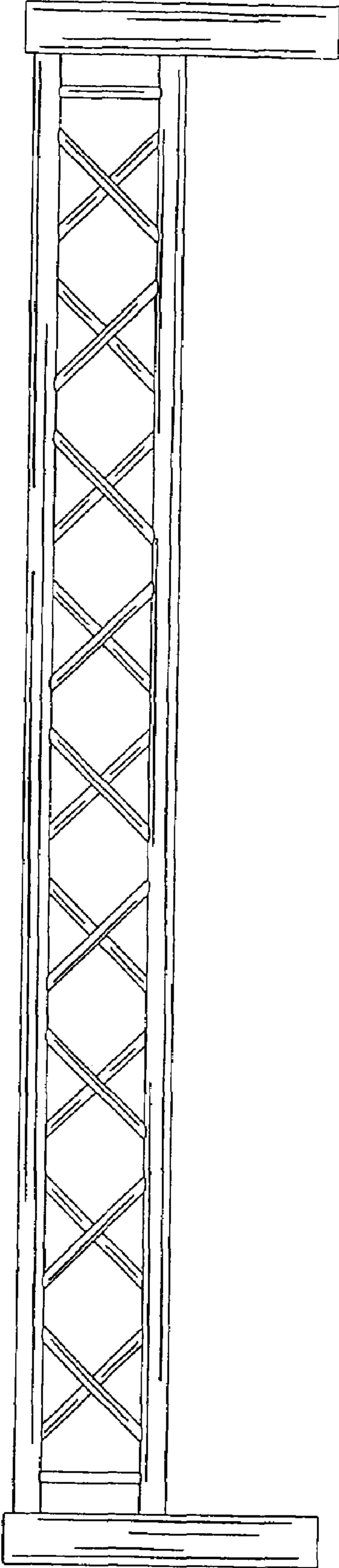


FIG. 4

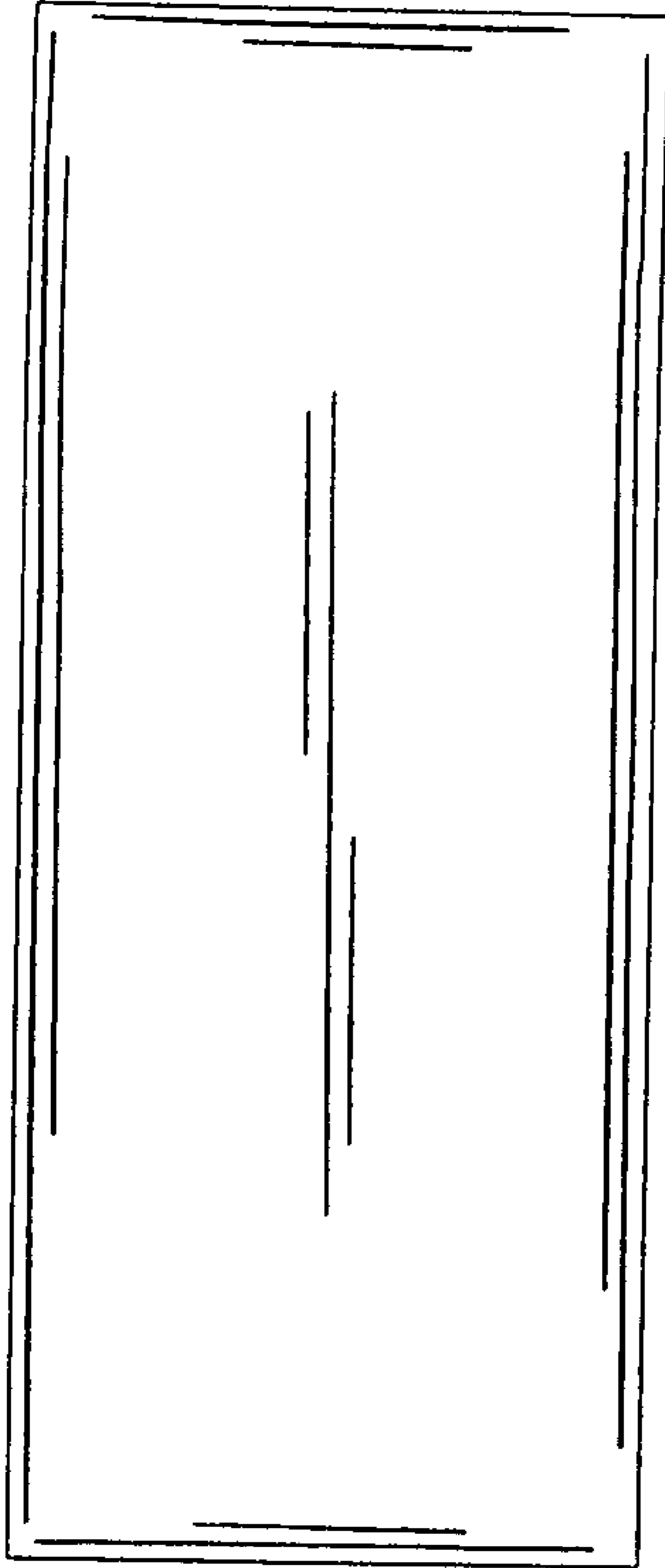


FIG. 5