



US00D572502S

(12) **United States Design Patent**  
**Yang et al.**

(10) **Patent No.:** **US D572,502 S**  
(45) **Date of Patent:** **\*\* Jul. 8, 2008**

(54) **SHELVING SYSTEM**

(75) Inventors: **Frank Yang**, Rancho Palos Verdes, CA (US); **Tzu-Hao Wei**, Hacienda Heights, CA (US); **Myk Wayne Lum**, Irvine, CA (US); **Adam Wade**, Santa Margarita, CA (US)

(73) Assignee: **simplehuman, LLC**, Torrance, CA (US)

(\*\*) Term: **14 Years**

(21) Appl. No.: **29/277,828**

(22) Filed: **Mar. 9, 2007**

(51) **LOC (8) Cl.** ..... **06-07**

(52) **U.S. Cl.** ..... **D6/458**

(58) **Field of Classification Search** ..... D6/317,  
D6/320, 396, 455-467, 449, 499, 512, 524,  
D6/525, 553, 567, 569; 211/13.1, 71.05,  
211/75, 86.01, 87.01, 88.01, 90.01, 90.03,  
211/106, 126.1, 126.9, 133.5, 153, 181.1,  
211/188

See application file for complete search history.

(56) **References Cited**

**U.S. PATENT DOCUMENTS**

D188,332 S *	7/1960	Salen	.....	D6/562
D189,722 S *	2/1961	Wolf	.....	D6/562
D239,579 S *	4/1976	Taub	.....	D6/458
D314,294 S *	2/1991	Axhamre	.....	D6/458
5,014,860 A *	5/1991	Emery	.....	211/106
D419,020 S *	1/2000	Emery et al.	.....	D6/562
D444,333 S *	7/2001	Ferrer Beltran	.....	D6/537

D446,670 S *	8/2001	Emery et al.	.....	D6/525
D462,552 S *	9/2002	Emery et al.	.....	D6/525
D509,361 S *	9/2005	Suero, Jr.	.....	D3/304
D564,257 S *	3/2008	Yang et al.	.....	D6/462

\* cited by examiner

*Primary Examiner*—Caron D. Veynar

*Assistant Examiner*—Abraham Bahta

(74) *Attorney, Agent, or Firm*—Knobbe, Martens, Olson & Bear, LLP

(57) **CLAIM**

The ornamental design for a shelving system, as shown and described.

**DESCRIPTION**

FIG. 1 is a front, top, and left side perspective view of a shelving system embodying my new design, the indefinite line length breaks being omitted from this figure;

FIG. 2 is a front elevational view thereof;

FIG. 3 is a left side elevational view thereof;

FIG. 4 is a rear elevational view thereof;

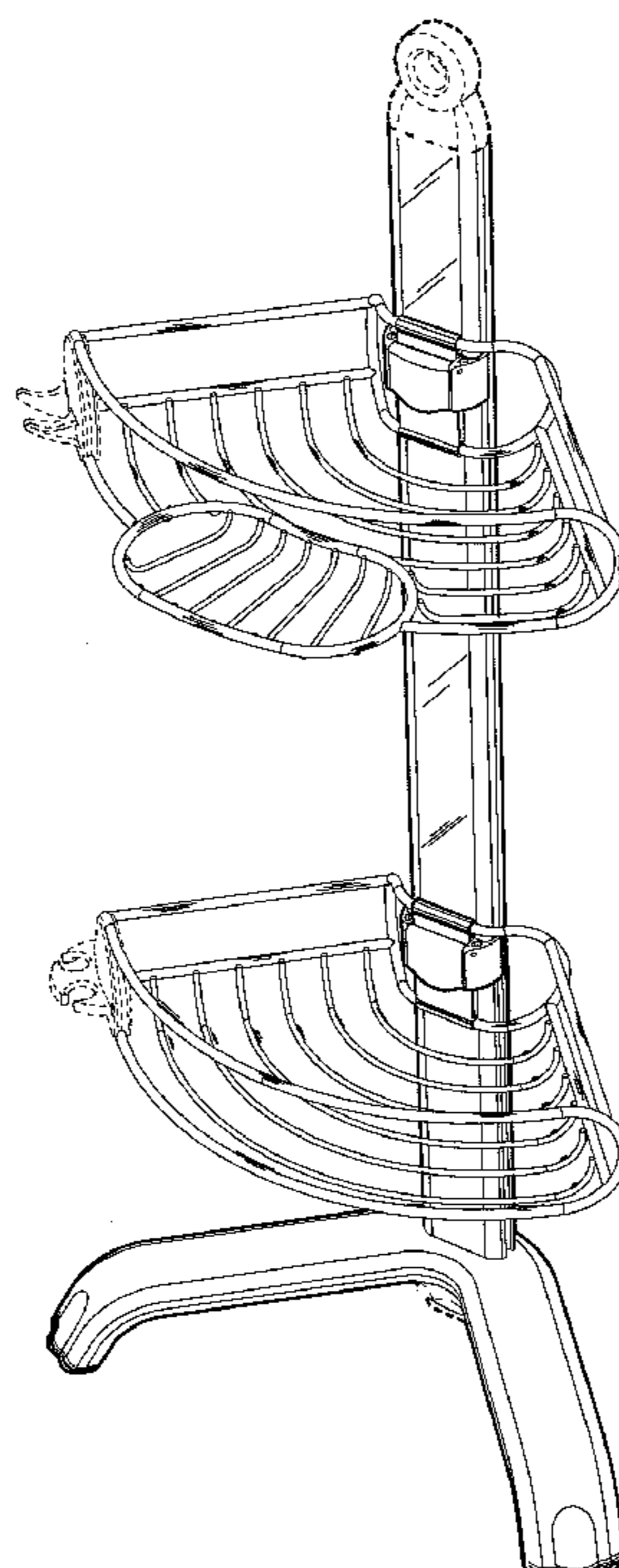
FIG. 5 is a right side elevational view thereof;

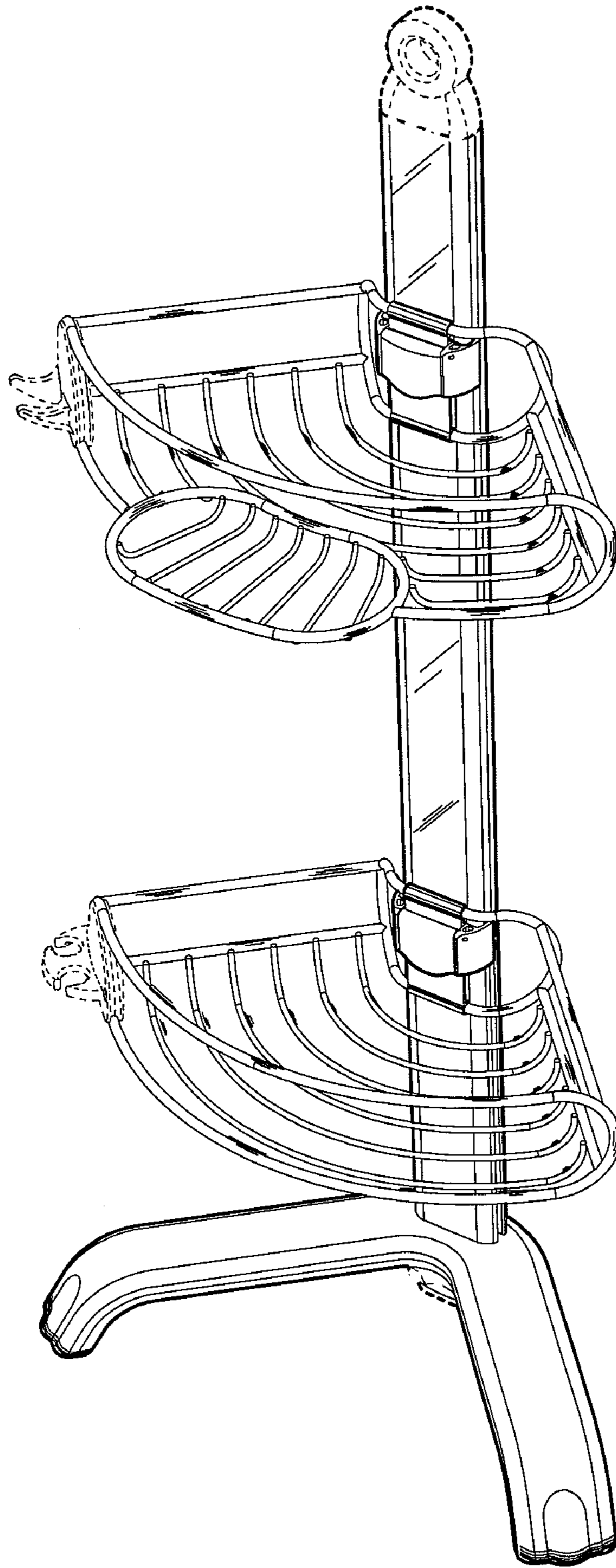
FIG. 6 is a top plan view thereof; and,

FIG. 7 is a bottom plan view thereof.

All features illustrated in phantom line are expressly disclaimed and form no part of the claimed design. Additionally, the shelving system in accordance with the present design can have any length, as indicated by the indefinite line length breaks in FIGS. 2-5.

**1 Claim, 7 Drawing Sheets**





*FIG. 1*

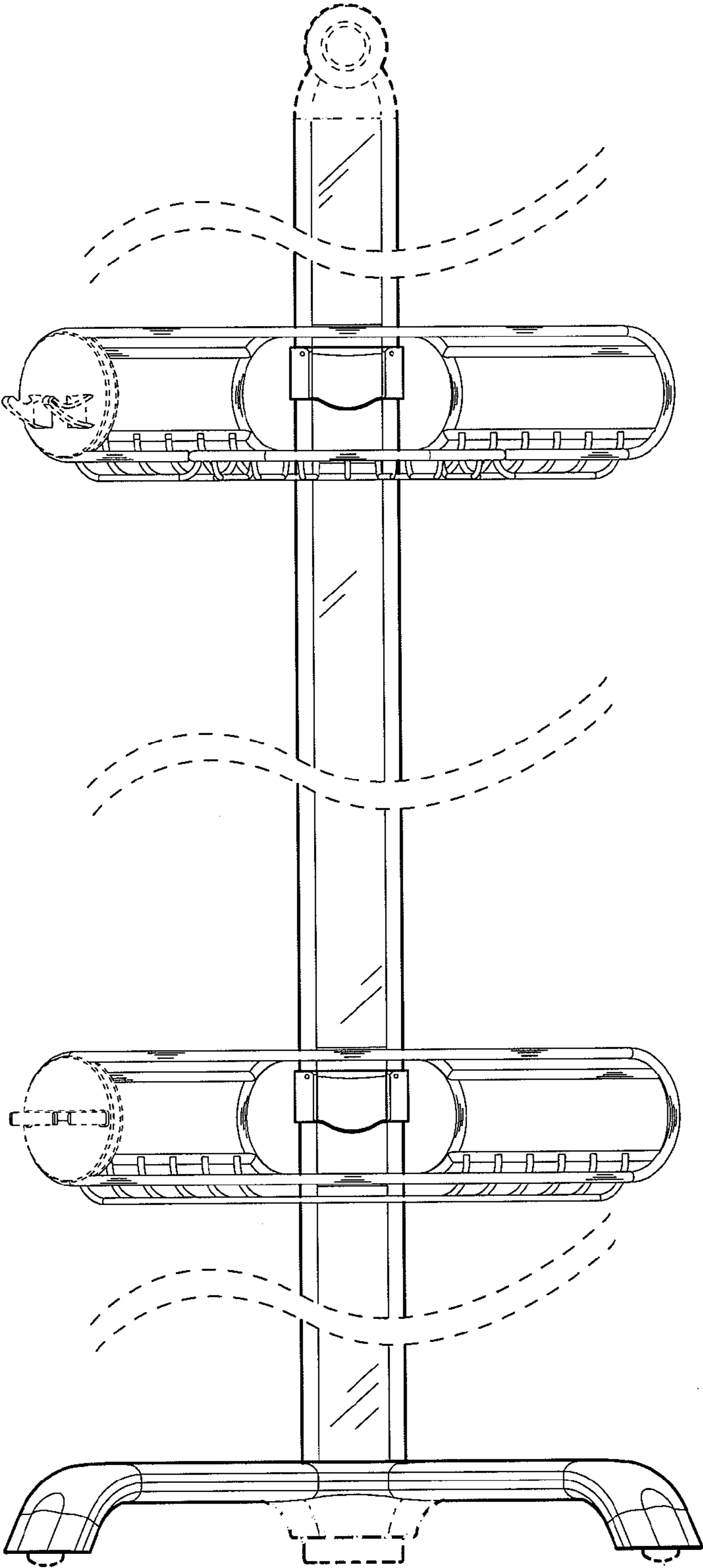


FIG. 2

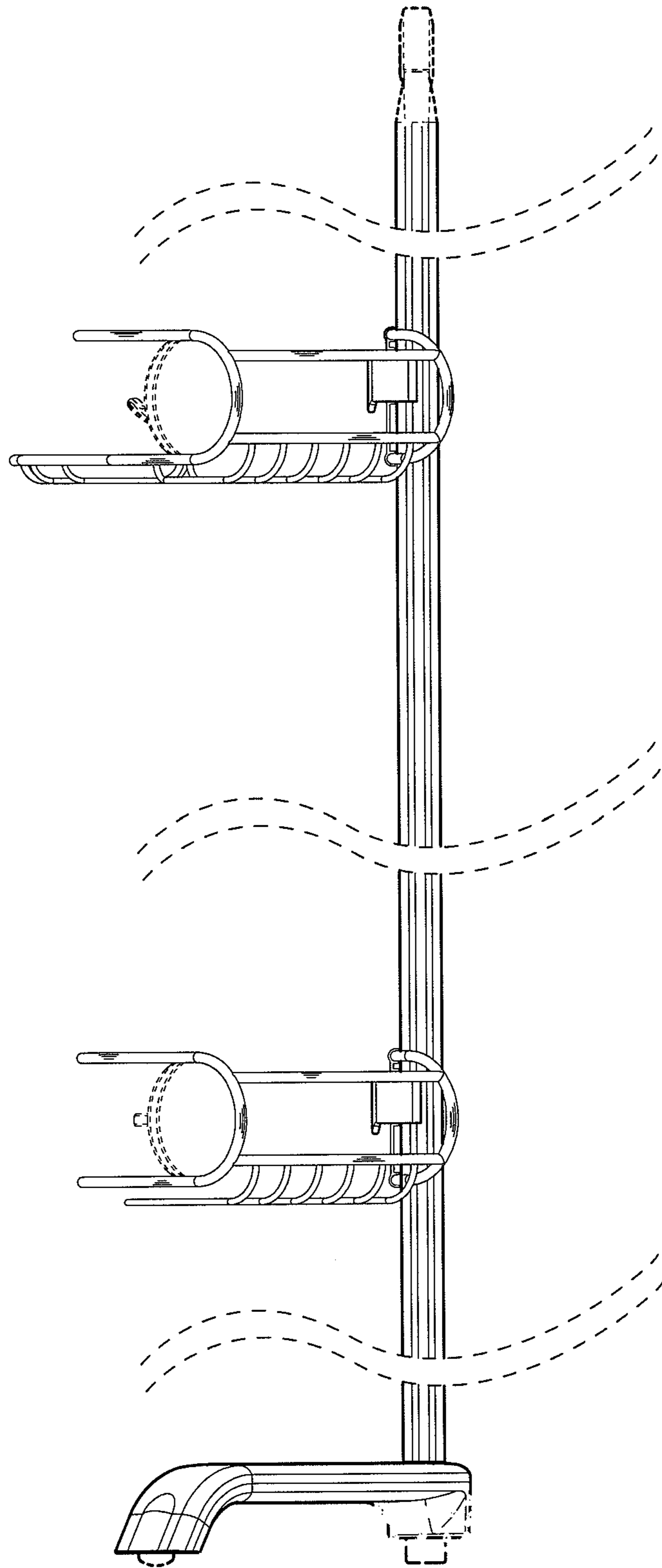


FIG. 3

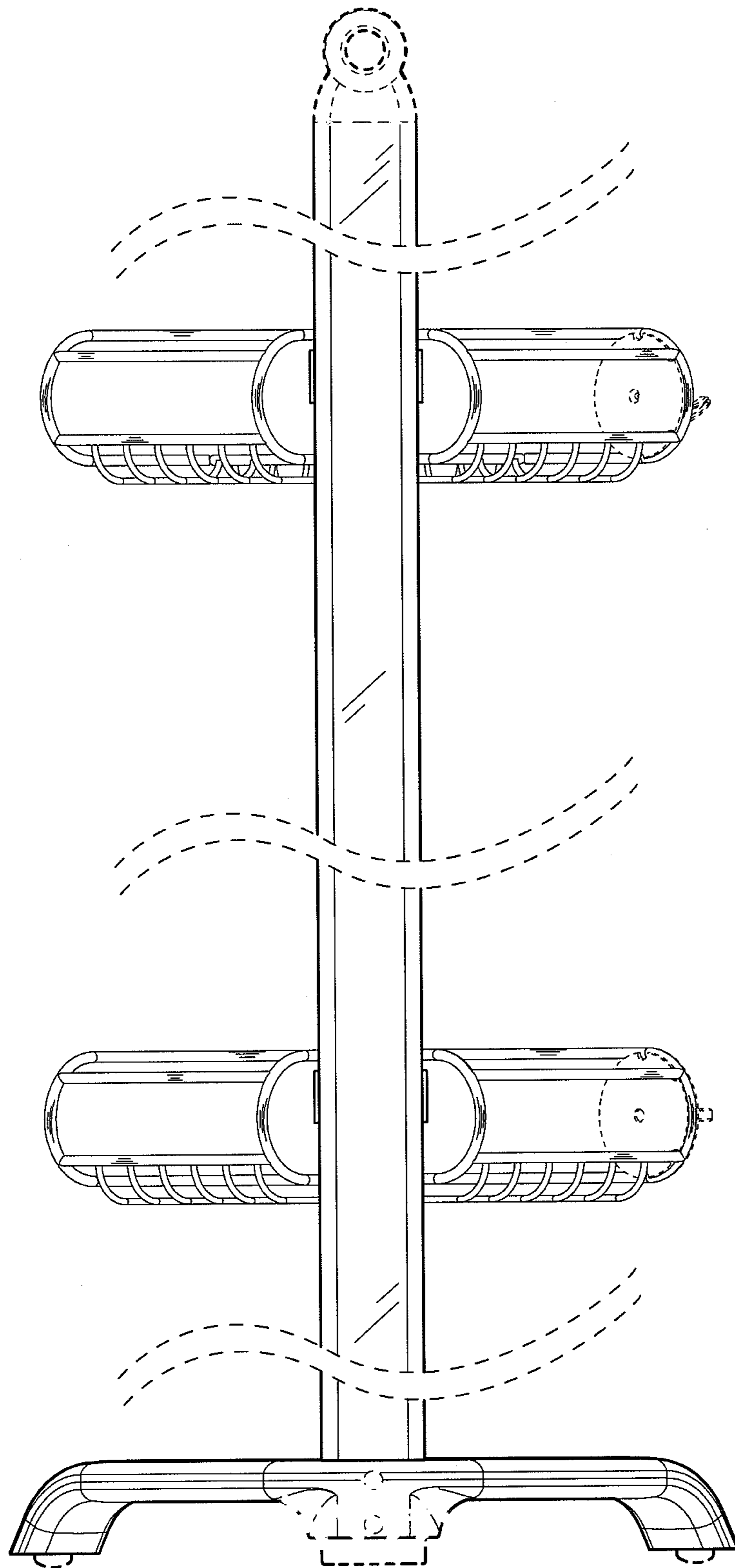


FIG. 4



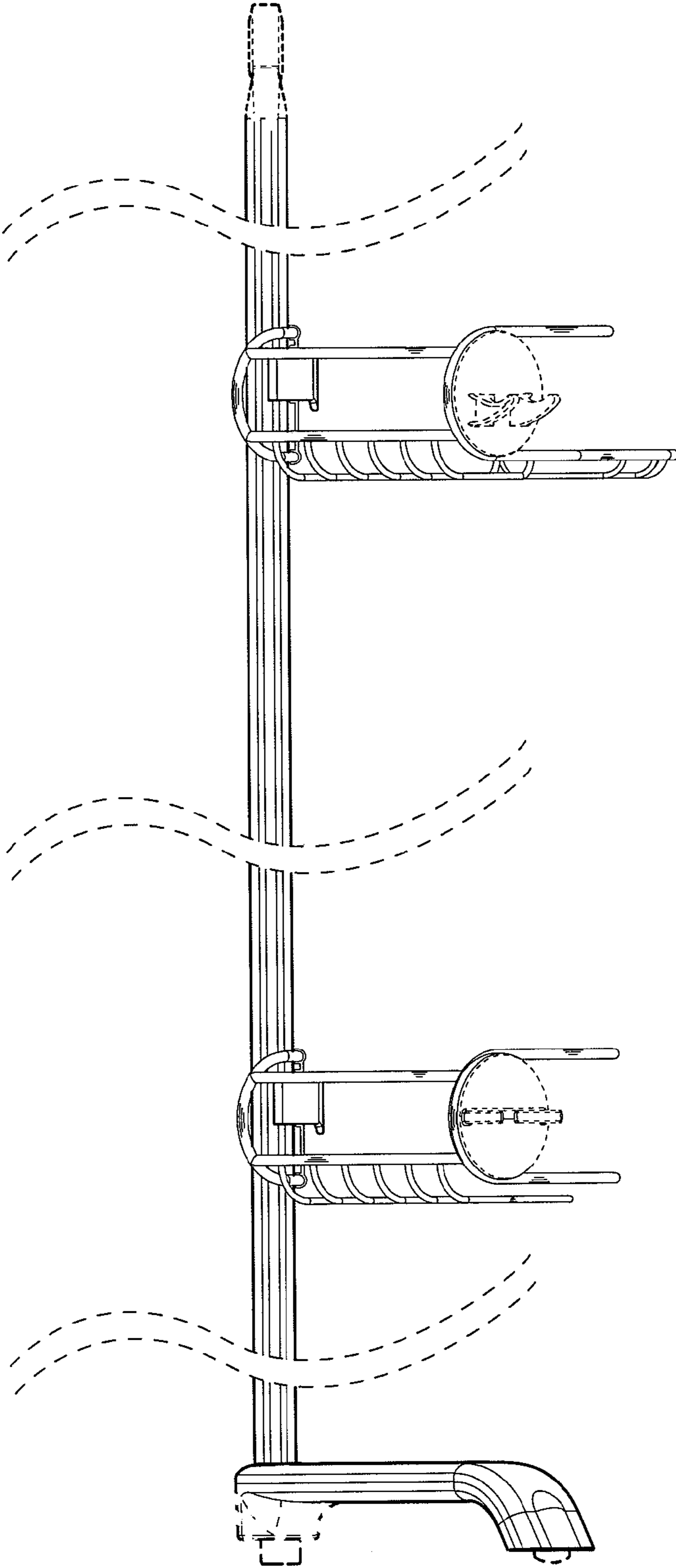
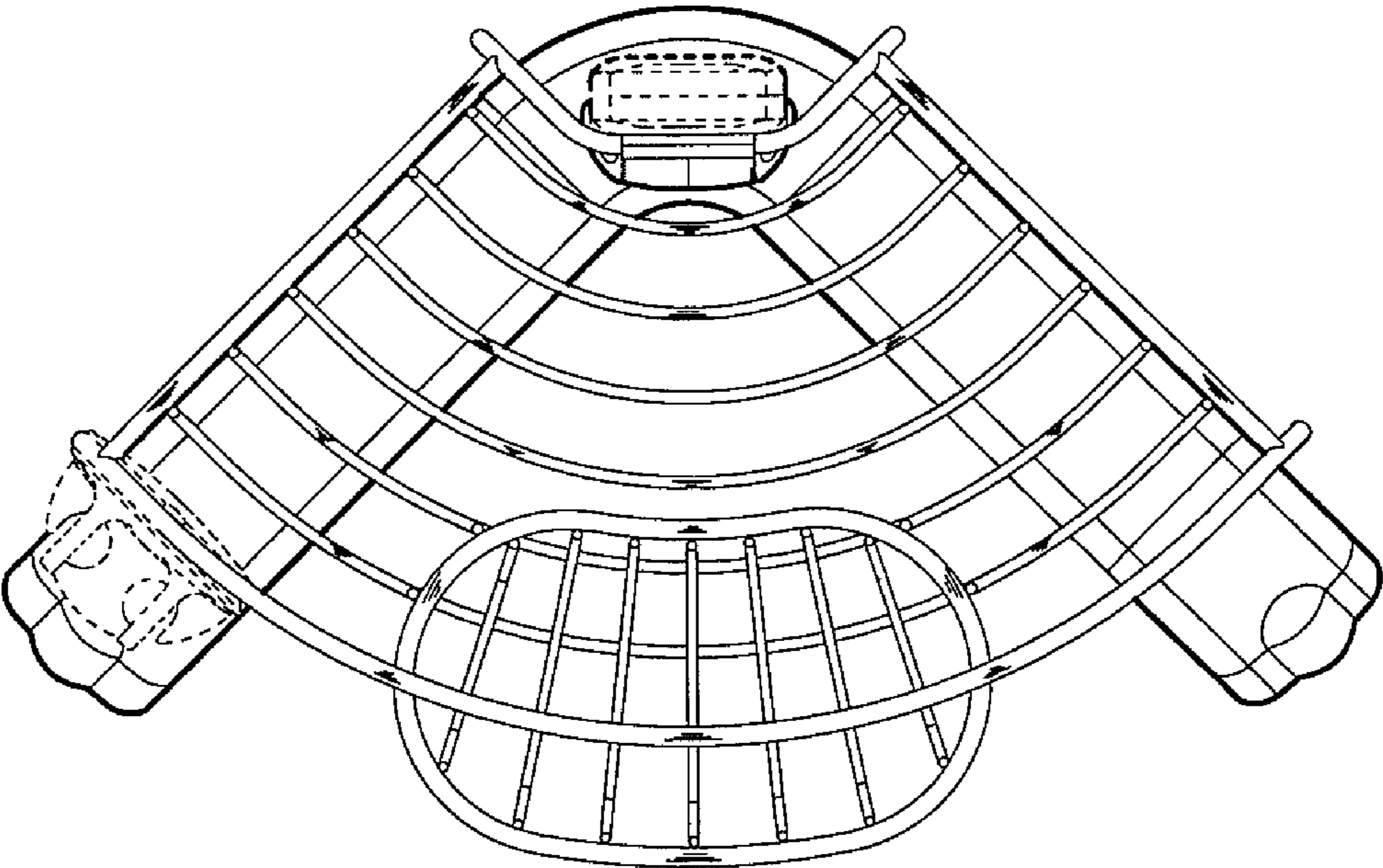
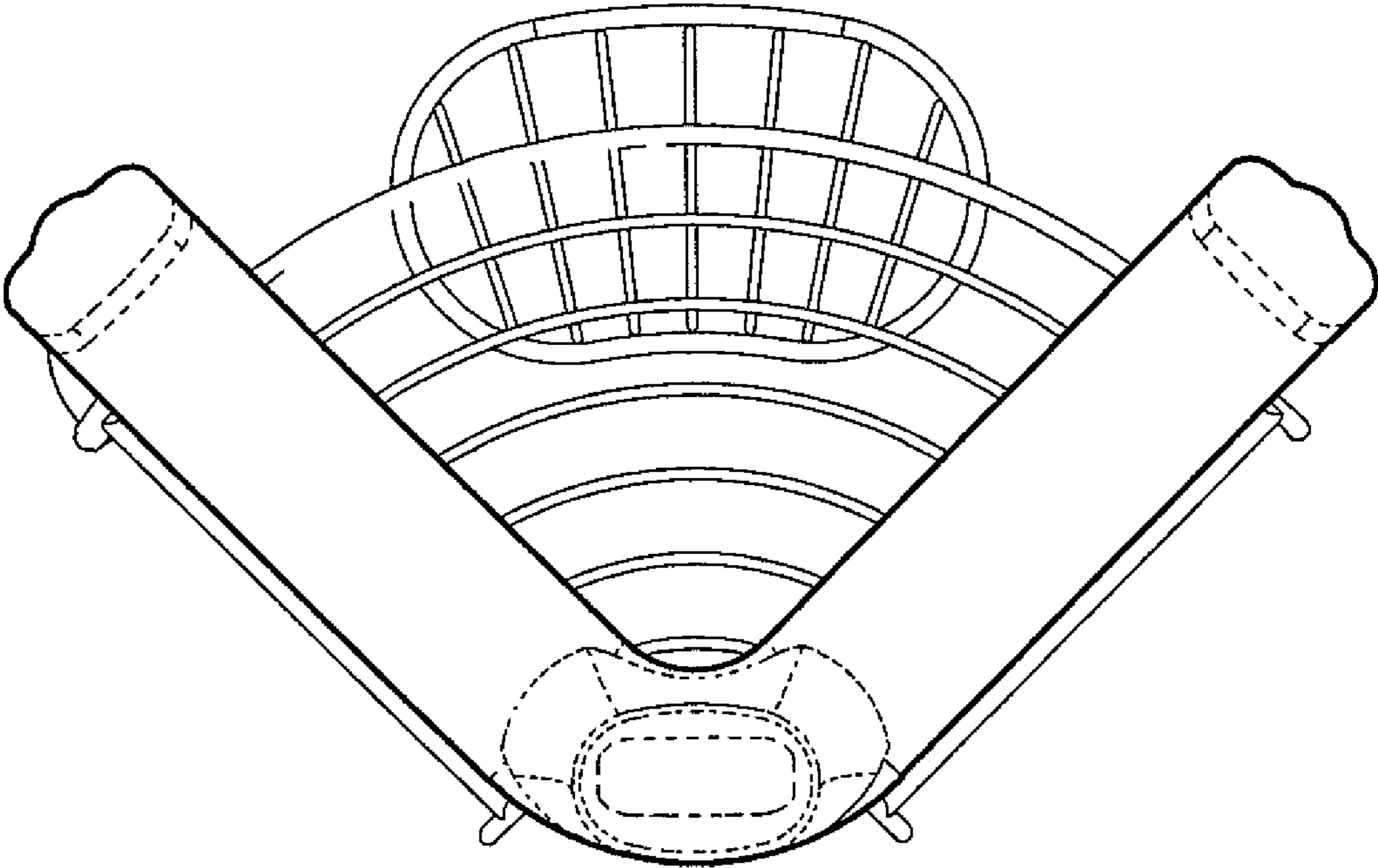


FIG. 5



*FIG. 6*



*FIG. 7*