

US00D572499S

(12) **United States Design Patent**
Davis

(10) **Patent No.:** **US D572,499 S**
(45) **Date of Patent:** **** Jul. 8, 2008**

(54) **PEDESTAL DESK**

(76) Inventor: **Bradford L. Davis**, 15151 Buchanan St.,
West Olive, MI (US) 49460

(**) Term: **14 Years**

(21) Appl. No.: **29/279,864**

(22) Filed: **May 9, 2007**

(51) **LOC (8) Cl.** **06-06**

(52) **U.S. Cl.** **D6/422; D6/480**

(58) **Field of Classification Search** D6/480-489,
D6/495-499, 422-428, 511; 108/50.01,
108/50.02, 150, 153.1, 155, 156, 161, 157.1;
248/188, 188.1, 188.7, 188.8; 312/194-196
See application file for complete search history.

(56) **References Cited**

U.S. PATENT DOCUMENTS

D133,624 S *	9/1942	Hollander	D6/480
D177,298 S *	3/1956	Wright	D6/423
D451,302 S *	12/2001	Chang	D6/422
D463,164 S *	9/2002	Davis	D6/480
D508,625 S *	8/2005	Frenkler et al.	D6/484

* cited by examiner

Primary Examiner—Janice E Seeger

(74) *Attorney, Agent, or Firm*—Warner Norcross & Judd LLP

(57) **CLAIM**

The ornamental design for pedestal desk, as shown and described.

DESCRIPTION

FIG. 1 is a perspective view of the pedestal desk embodying my new design;

FIG. 2 is a top plan view thereof;

FIG. 3 is a bottom plan view thereof;

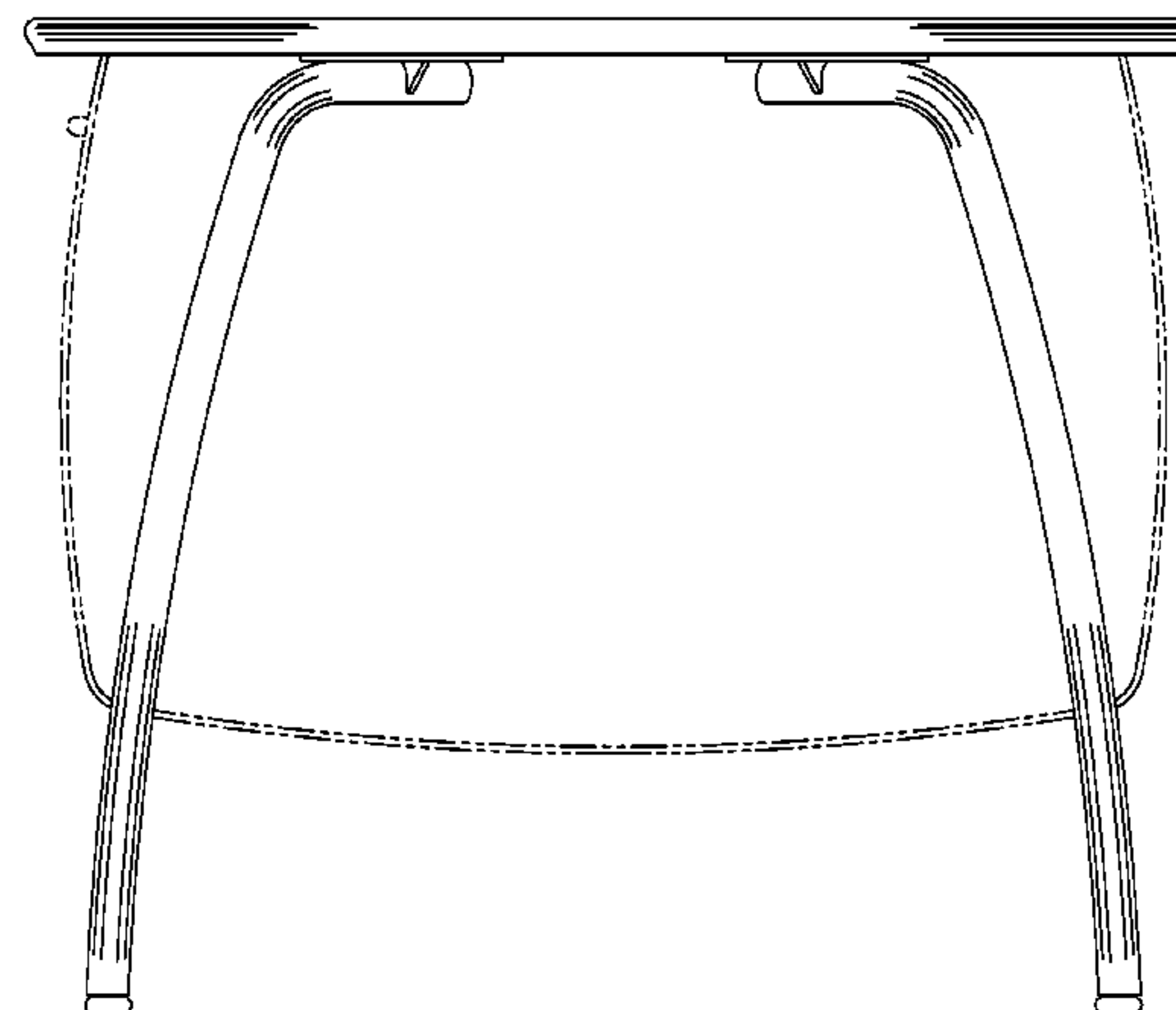
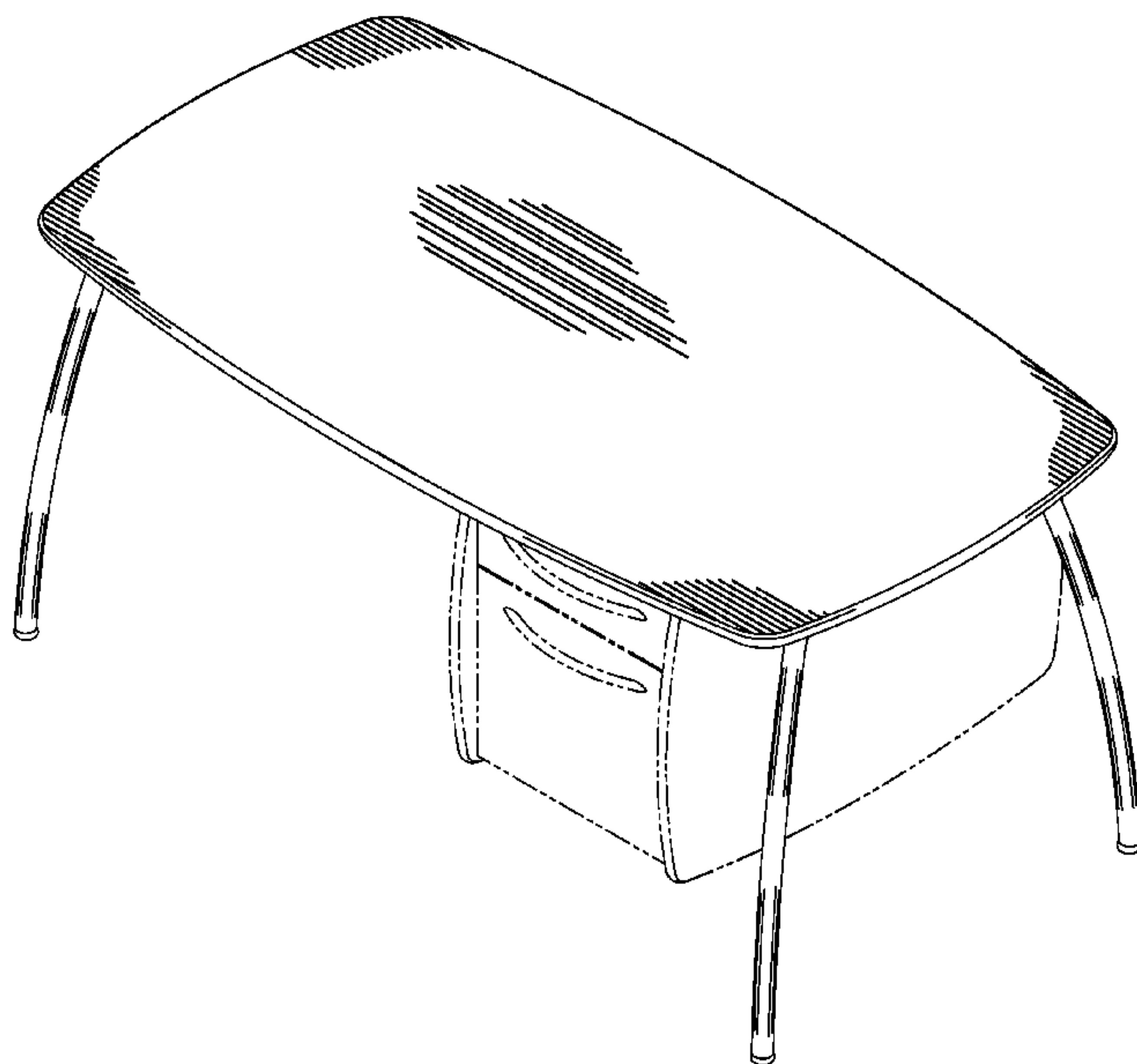
FIG. 4 is a front elevational view thereof;

FIG. 5 is a rear elevational view thereof; and,

FIG. 6 is a right side elevational view thereof, the left side elevational view being a mirror image thereof.

FIGS. 1-6 show portions of the pedestal desk in phantom lines. The phantom line portions are shown for environmental purposes and form no part of the claimed design.

1 Claim, 6 Drawing Sheets



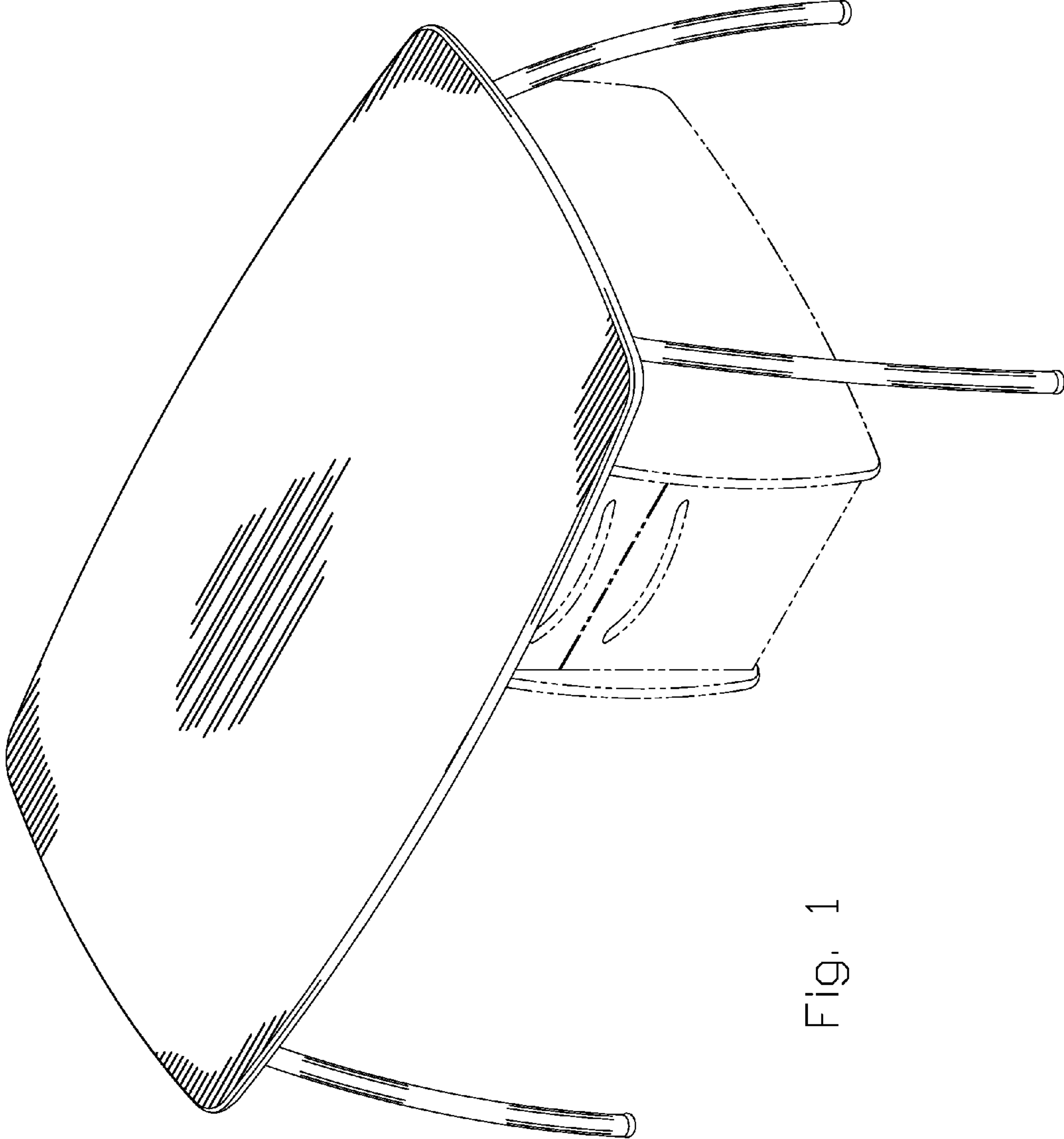


FIG. 1

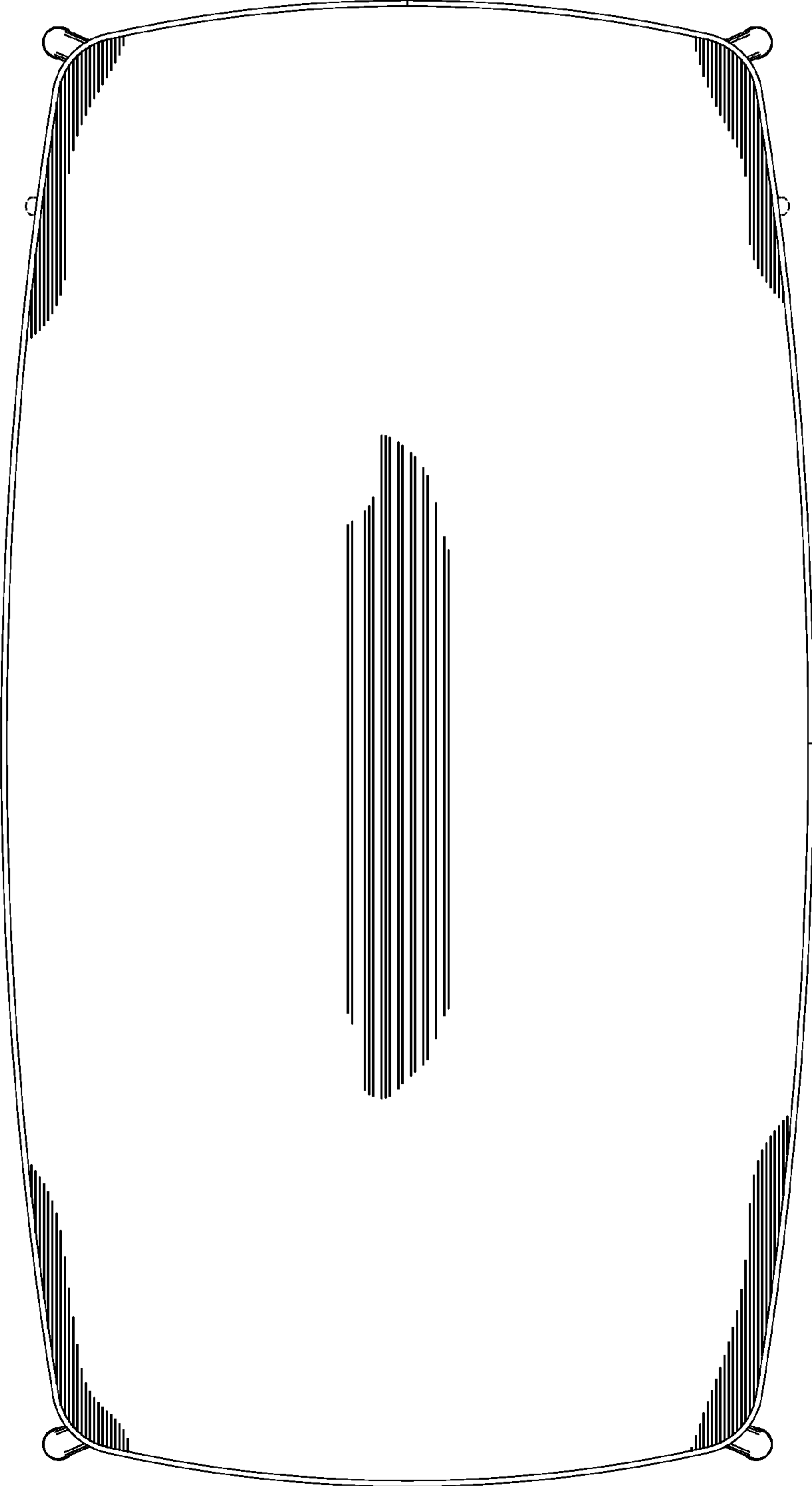


Fig. 2

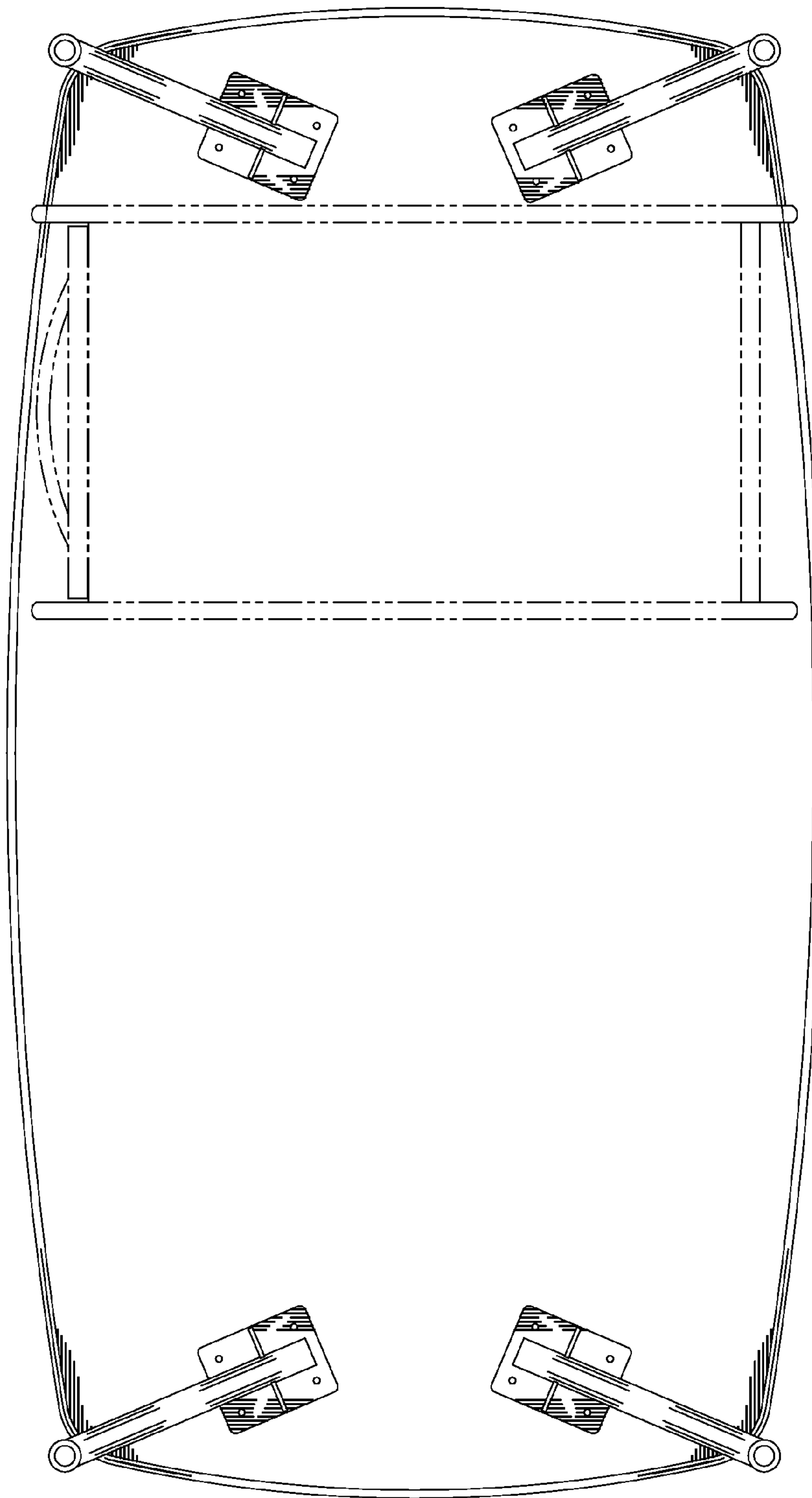


Fig. 3

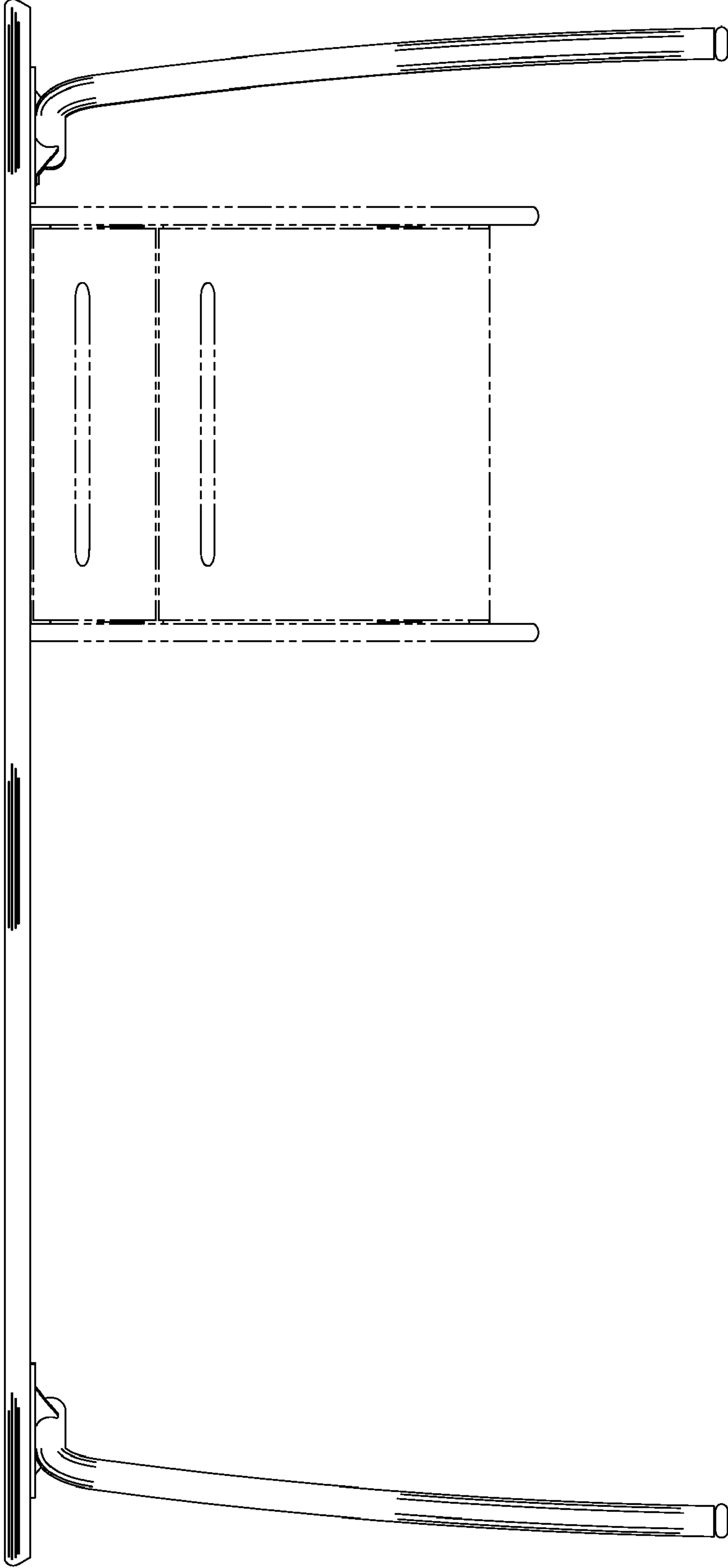


Fig. 4

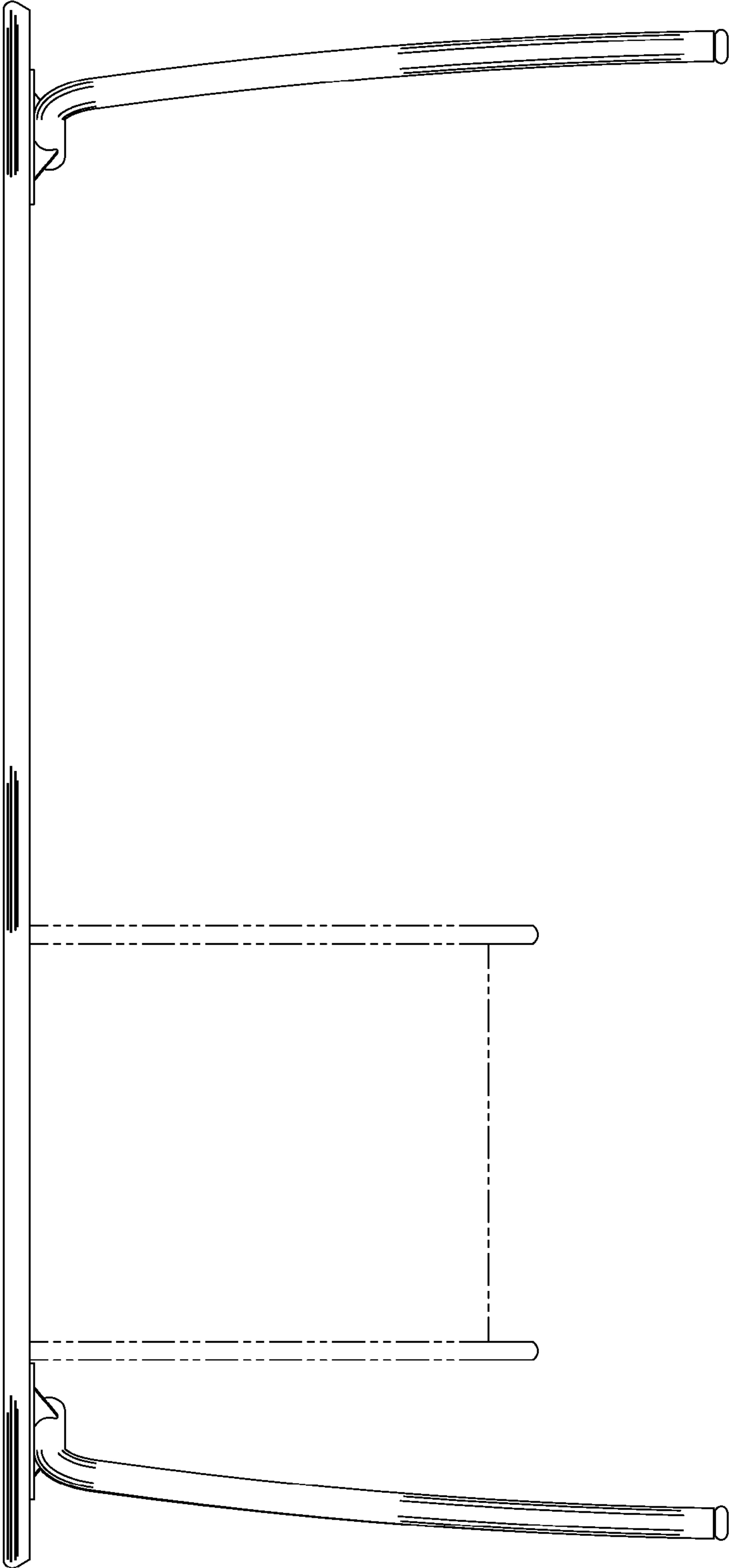


Fig. 5

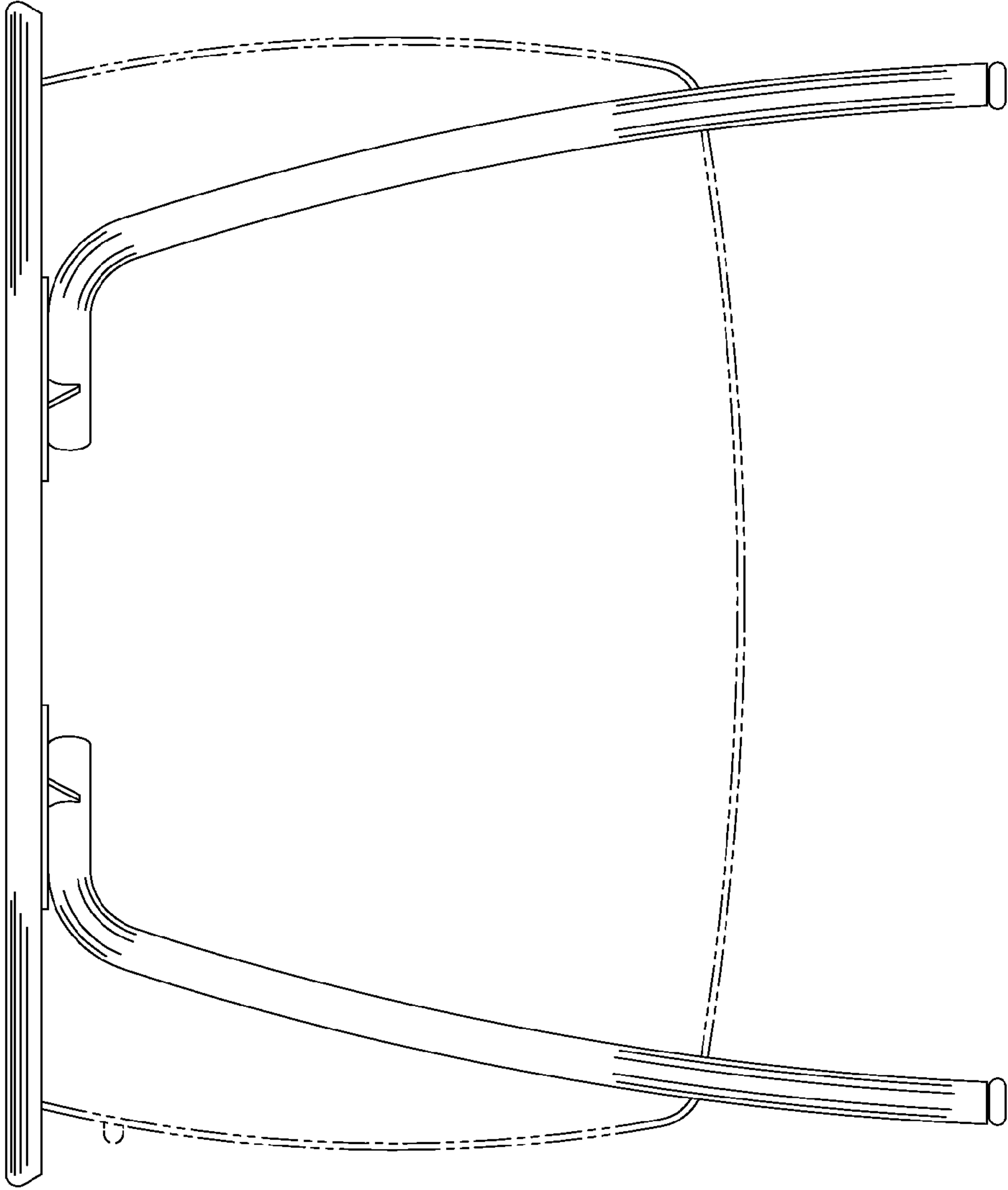


Fig. 6