



US00D572496S

(12) **United States Design Patent**
Rizzi

(10) **Patent No.:** **US D572,496 S**
(45) **Date of Patent:** **** *Jul. 8, 2008**

(54) **CHAIR**

(75) Inventor: **John Rizzi**, Westport, CT (US)

(73) Assignee: **Landscape Forms, Inc.**, Kalamazoo, MI (US)

(*) Notice: This patent is subject to a terminal disclaimer.

(**) Term: **14 Years**

(21) Appl. No.: **29/283,140**

(22) Filed: **Aug. 7, 2007**

(51) **LOC (8) Cl.** **06-01**

(52) **U.S. Cl.** **D6/372**

(58) **Field of Classification Search** D6/372-375,
D6/366, 370, 334-336, 358, 364-367, 379,
D6/356; 297/411.2, 411.27, 411.28, 411.36,
297/452.29, 284.4, 452.3

See application file for complete search history.

(56) **References Cited**

U.S. PATENT DOCUMENTS

3,847,435	A *	11/1974	Skinner	297/440.19
D299,293	S *	1/1989	Nelson	D6/372
D365,696	S *	1/1996	Infanti	D6/368
D383,324	S *	9/1997	Mourgue	D6/374
D423,242	S *	4/2000	Lin	D6/372
D503,054	S	3/2005	Olson		
D503,056	S	3/2005	Olson		
D503,300	S	3/2005	Olson		
D504,246	S *	4/2005	Roy et al.	D6/374

D505,278	S *	5/2005	Ambasz	D6/373
7,073,864	B2	7/2006	Olson		
D528,831	S	9/2006	Rizzi		
D534,021	S	12/2006	Rizzi		
D546,089	S *	7/2007	Ebenestelli	D6/379

OTHER PUBLICATIONS

Landscape Forms Inc., parc vue, webpage http://www.landscapeforms.com/products/bench/parcvue_print.htm, 2006.

* cited by examiner

Primary Examiner—Robert M. Spear

Assistant Examiner—Katrina A Kile

(74) *Attorney, Agent, or Firm*—Heslin Rothenberg Farley & Mesiti P.C.

(57) **CLAIM**

The ornamental design for the chair, as shown and described.

DESCRIPTION

This application is related to commonly assigned, concurrently filed application Ser. No. 29/283,141.

FIG. 1 is an isometric view of the chair of the present design;

FIG. 2 is a front elevation view thereof;

FIG. 3 is a right side elevation view thereof, the left side elevation view being a mirror image thereof;

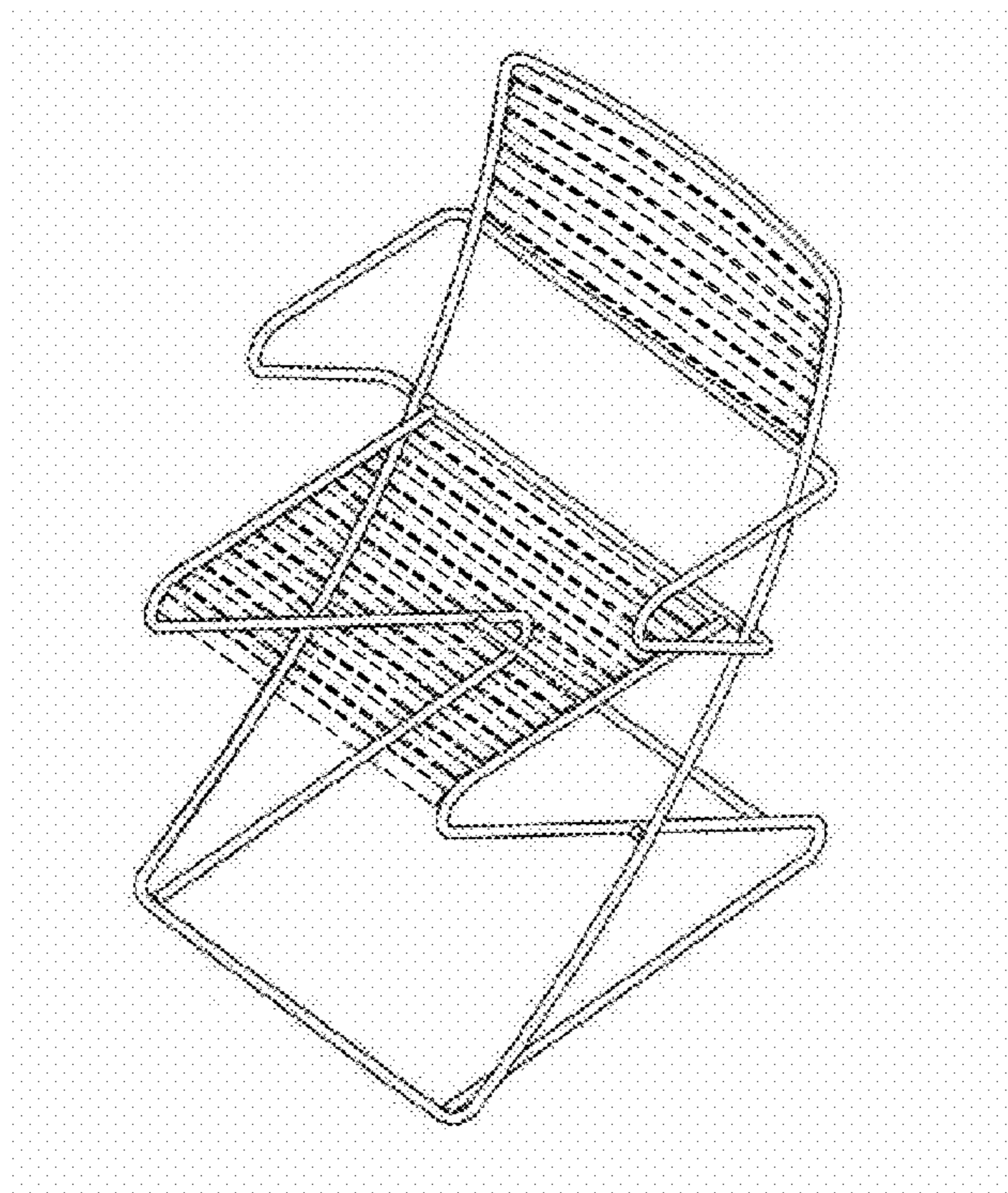
FIG. 4 is a back elevation view thereof;

FIG. 5 is a top plan view thereof; and,

FIG. 6 is a bottom plan view thereof.

In the drawings, the broken lines depict environmental subject matter only and form no part of the claimed design.

1 Claim, 6 Drawing Sheets



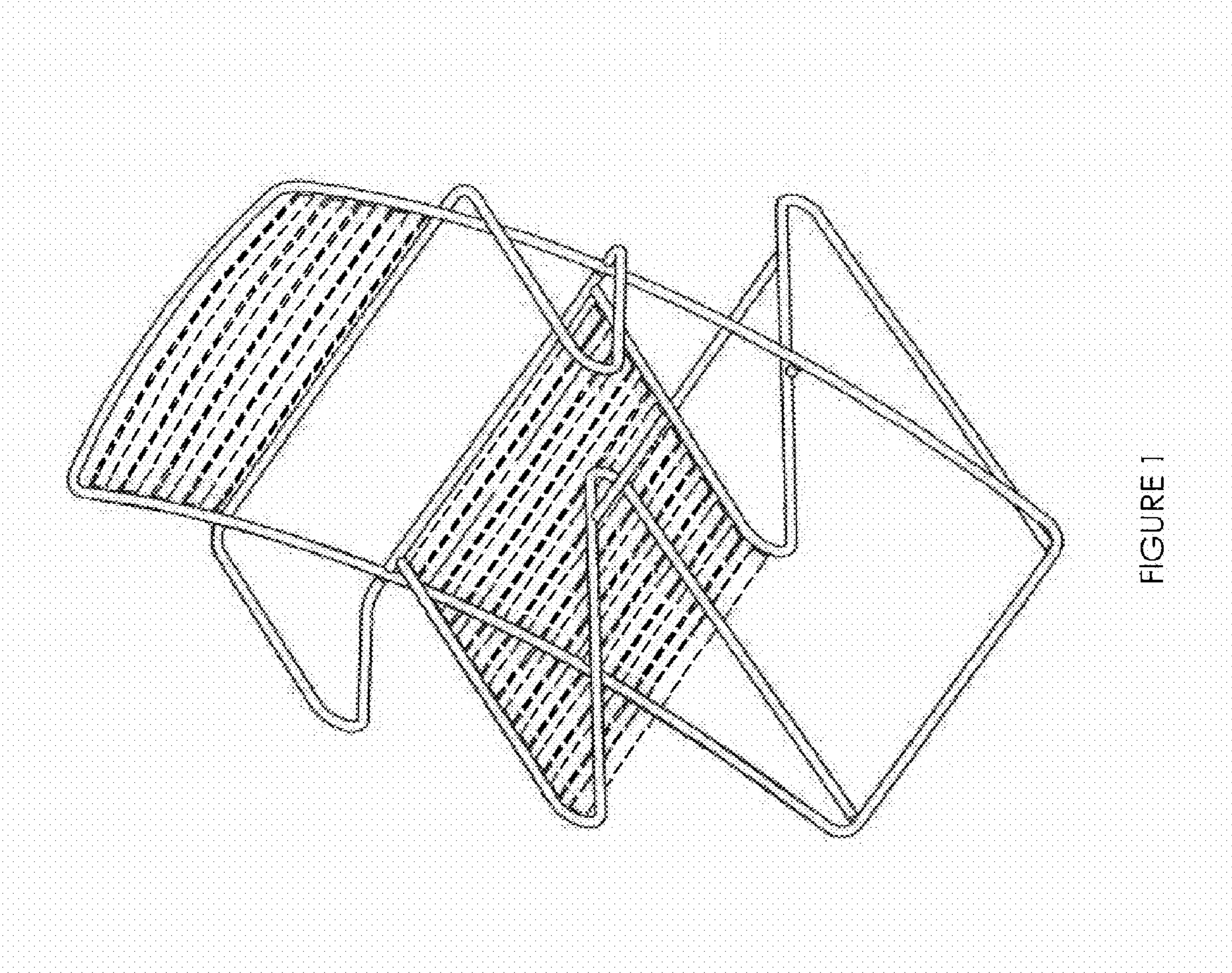


FIGURE 1

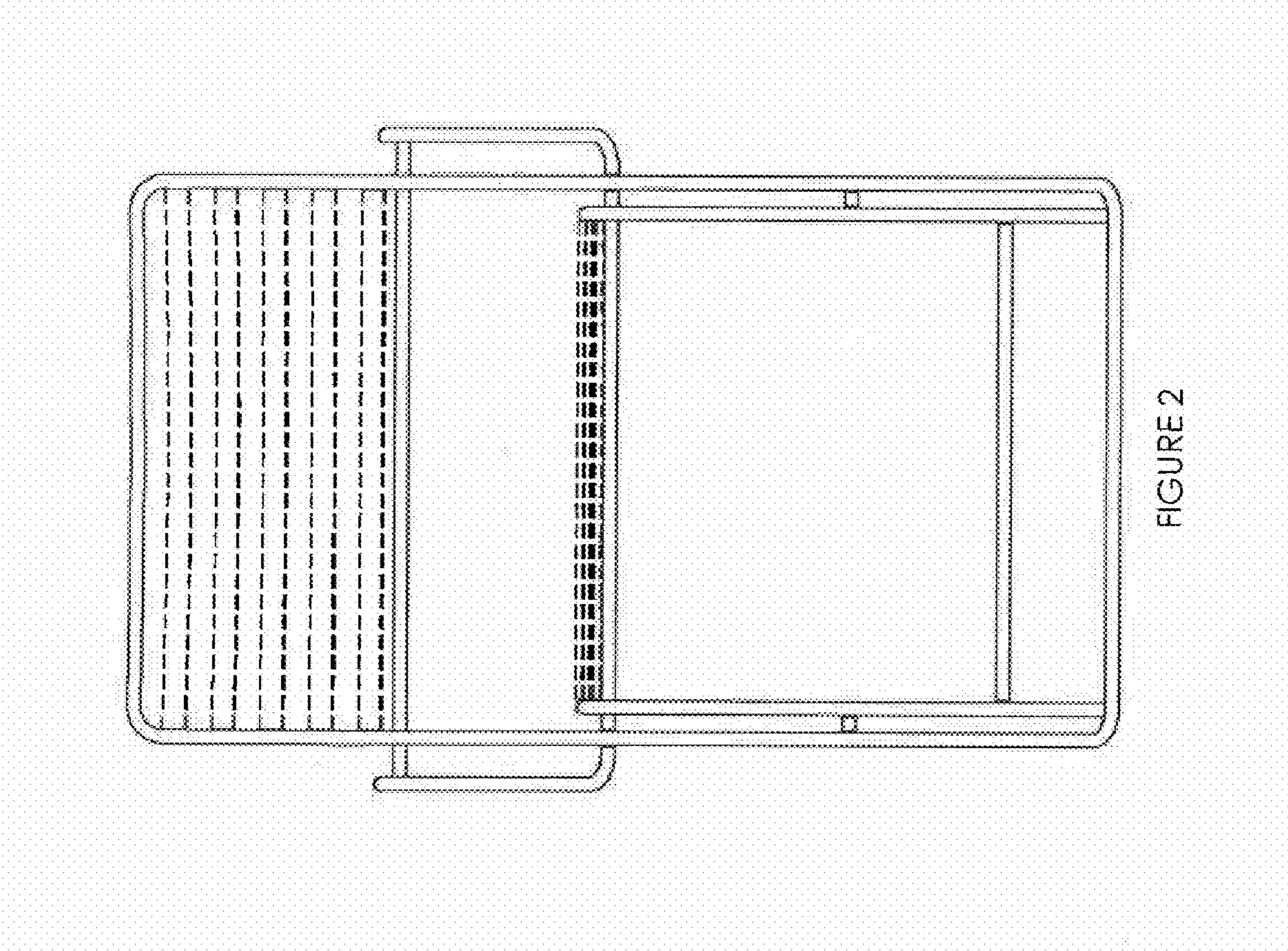


FIGURE 2

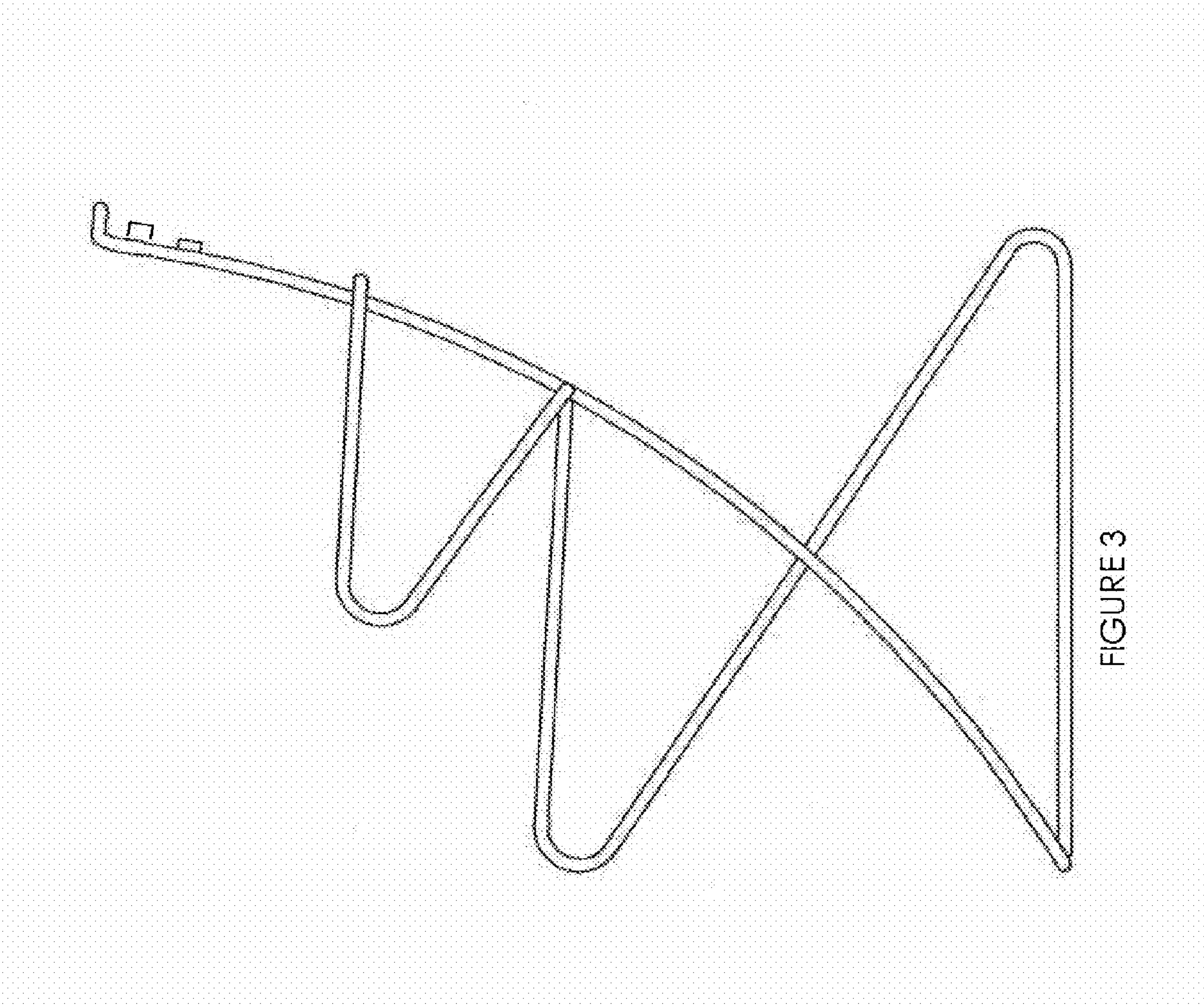


FIGURE 3

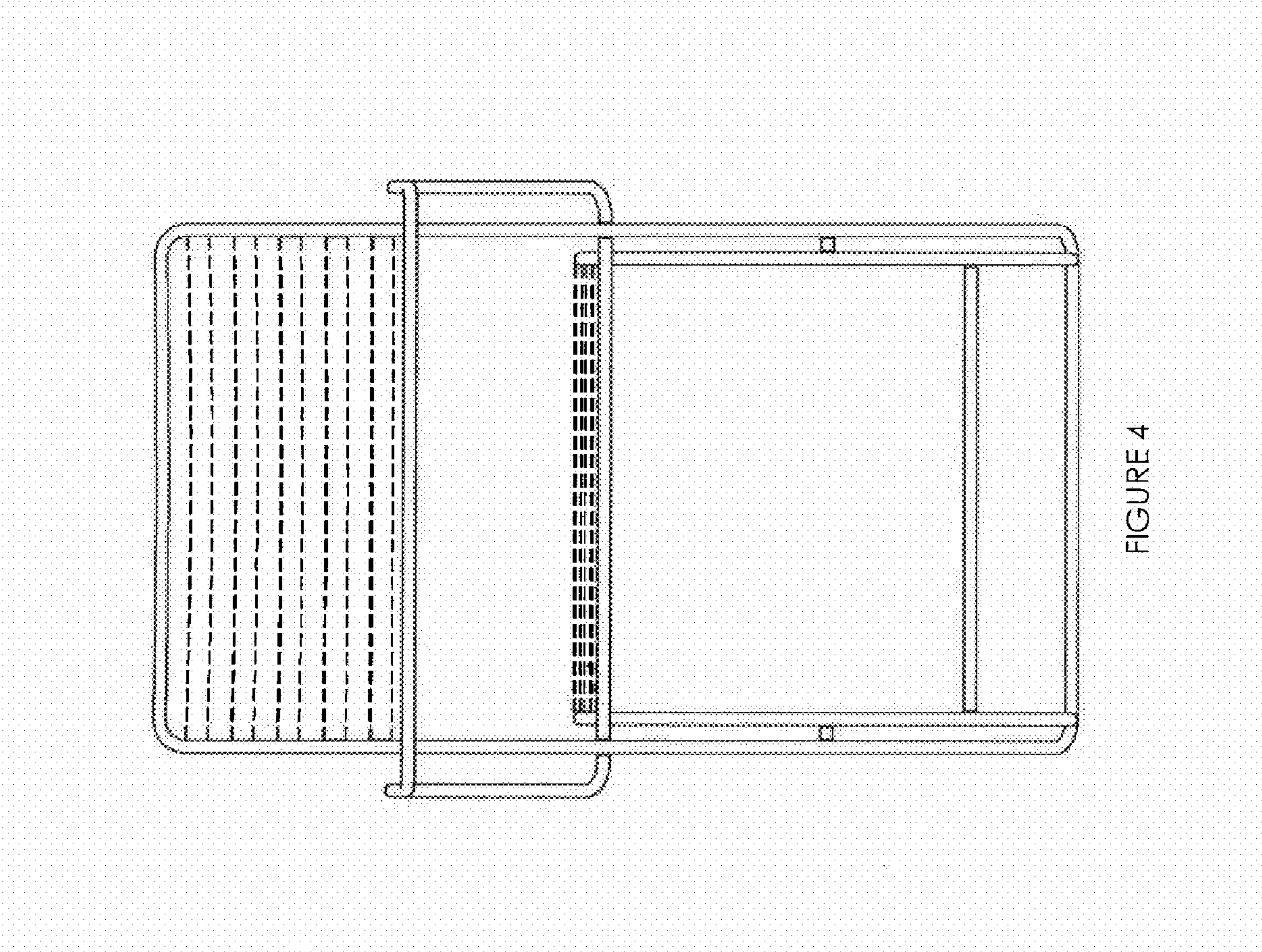


FIGURE 4

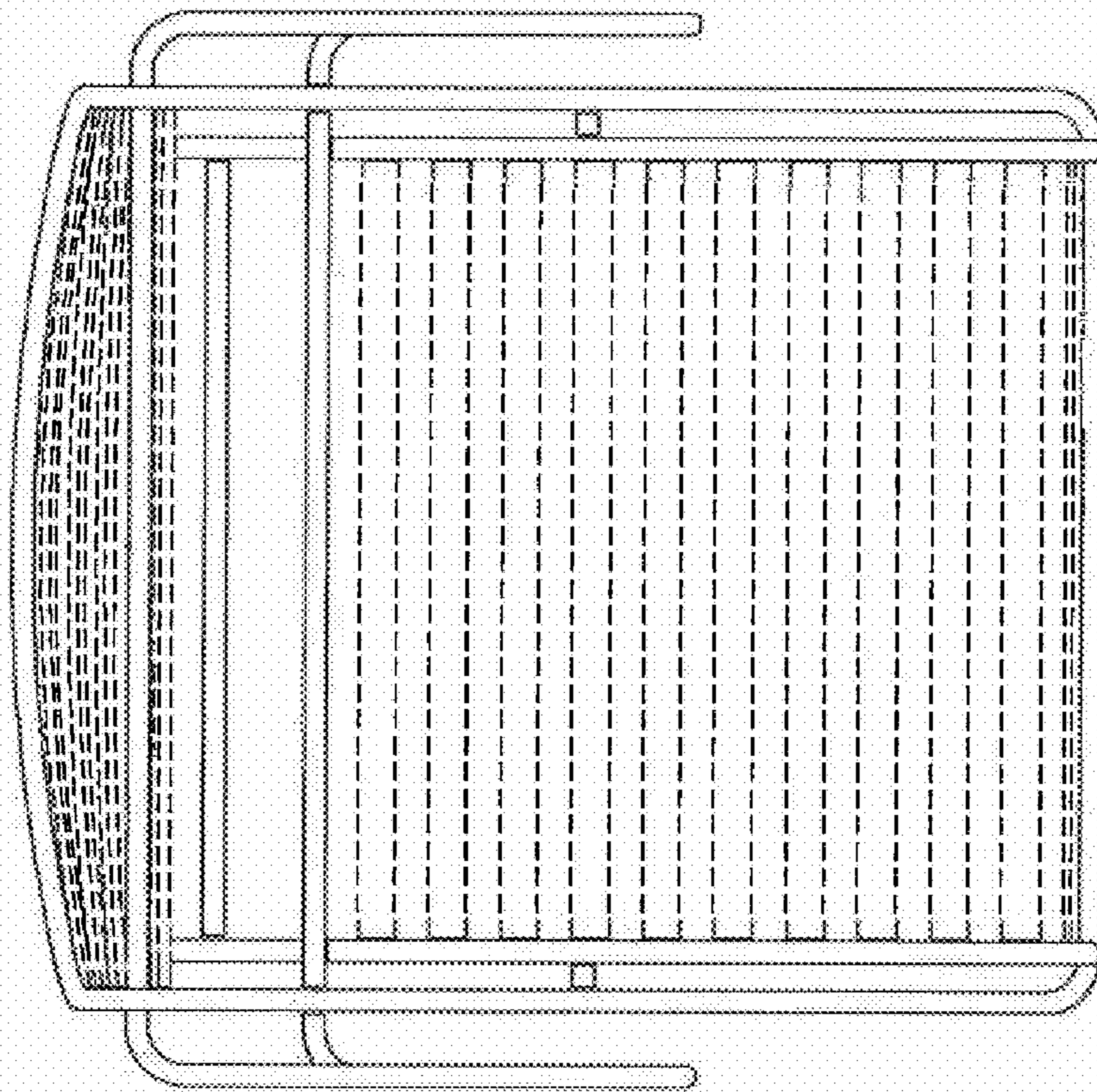


FIGURE 5

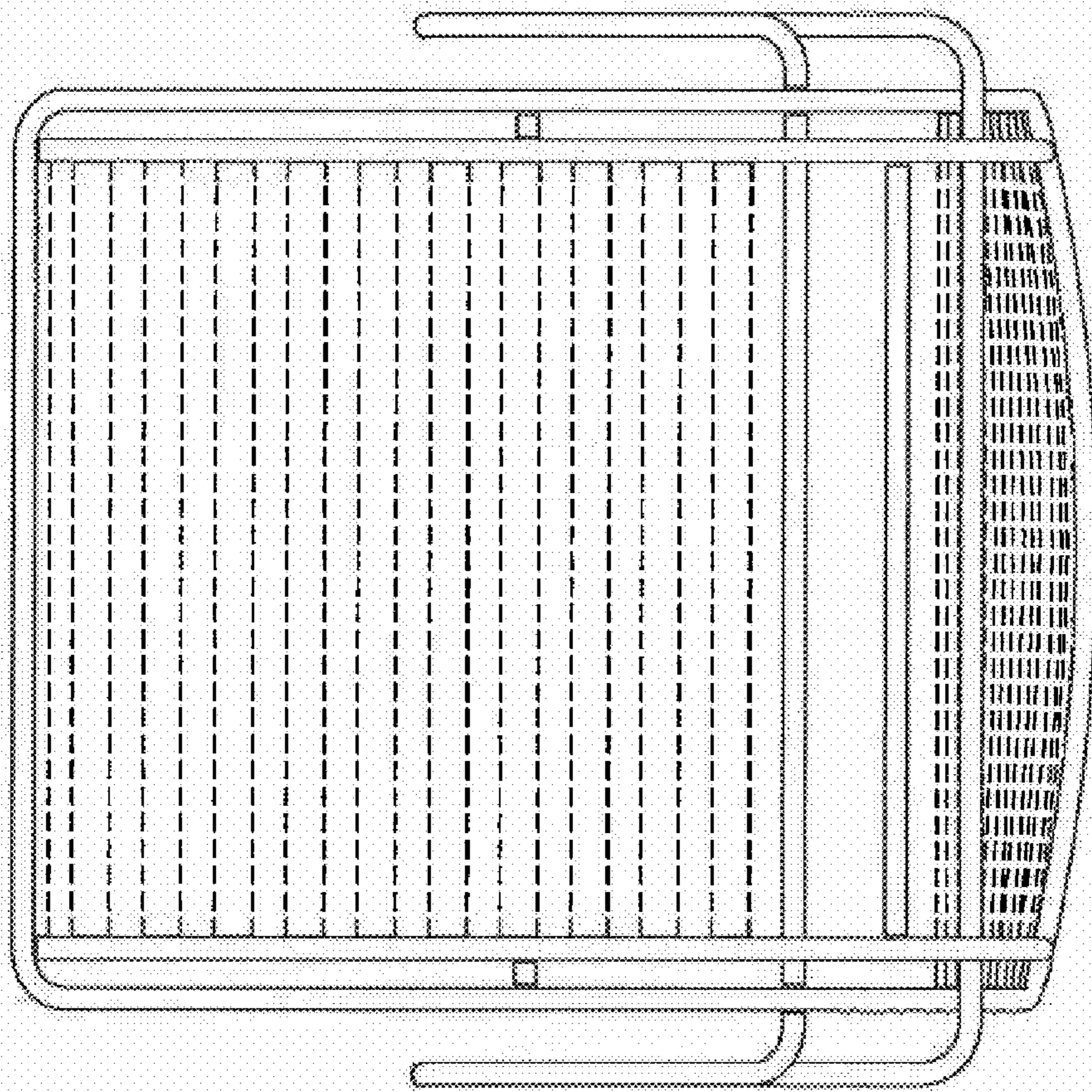


FIGURE 6

UNITED STATES PATENT AND TRADEMARK OFFICE
CERTIFICATE OF CORRECTION

PATENT NO. : Des. 572,496 S
APPLICATION NO. : 29/283140
DATED : July 8, 2008
INVENTOR(S) : Rizzi

Page 1 of 8

It is certified that error appears in the above-identified patent and that said Letters Patent is hereby corrected as shown below:

Delete Title page illustrating a figure, and substitute therefor, new Title page illustrating a figure. (attached)

Delete drawing sheets 1-6, and substitute therefor drawing sheets 1-6. (attached)

Signed and Sealed this

Twenty-third Day of September, 2008

A handwritten signature in black ink that reads "Jon W. Dudas". The signature is written in a cursive, slightly stylized font.

JON W. DUDAS

Director of the United States Patent and Trademark Office

(12) **United States Design Patent**
Rizzi

(10) **Patent No.:** **US D572,496 S**
(45) **Date of Patent:** **** *Jul. 8, 2008**

(54) **CHAIR**

(75) **Inventor:** **John Rizzi, Westport, CT (US)**

(73) **Assignee:** **Landscape Forms, Inc., Kalamazoo, MI (US)**

(*) **Notice:** This patent is subject to a terminal disclaimer.

(**) **Term:** **14 Years**

(21) **Appl. No.:** **29/283,140**

(22) **Filed:** **Aug. 7, 2007**

(51) **LOC (8) Cl. 06-01**

(52) **U.S. Cl. D6/372**

(58) **Field of Classification Search D6/372-375, D6/366, 370, 334-336, 358, 364-367, 379, D6/356; 297/411.2, 411.27, 411.28, 411.36, 297/452.29, 284.4, 452.3**

See application file for complete search history.

(56) **References Cited**

U.S. PATENT DOCUMENTS

- 3,847,435 A * 11/1974 Skinner 297/440.19
- D299,293 S * 1/1989 Nelson D6/372
- D365,696 S * 1/1996 Infaati D6/368
- D383,324 S * 9/1997 Mourgue D6/374
- D423,242 S * 4/2000 Lin D6/372
- D503,054 S 3/2005 Olson
- D503,056 S 3/2005 Olson
- D503,300 S 3/2005 Olson
- D504,246 S * 4/2005 Roy et al. D6/374

- D505,278 S * 5/2005 Ambasz D6/373
- 7,073,864 B2 7/2006 Olson
- D528,831 S 9/2006 Rizzi
- D534,921 S 12/2006 Rizzi
- D546,089 S * 7/2007 Ebenestell D6/379

OTHER PUBLICATIONS

Landscape Forms Inc., parc vue, webpage <http://www.landscapeforms.com/products/bench/parcvue...print.htm>, 2006.

* cited by examiner

Primary Examiner—Robert M. Spear

Assistant Examiner—Katrina A Kile

(74) *Attorney, Agent, or Firm*—Heslin Rothenberg Farley & Mesiti P.C.

(57) **CLAIM**

The ornamental design for the chair, as shown and described.

DESCRIPTION

This application is related to commonly assigned, concurrently filed application Ser. No. 29/283,141.

FIG. 1 is an isometric view of the chair of the present design;

FIG. 2 is a front elevation view thereof;

FIG. 3 is a right side elevation view thereof, the left side elevation view being a mirror image thereof;

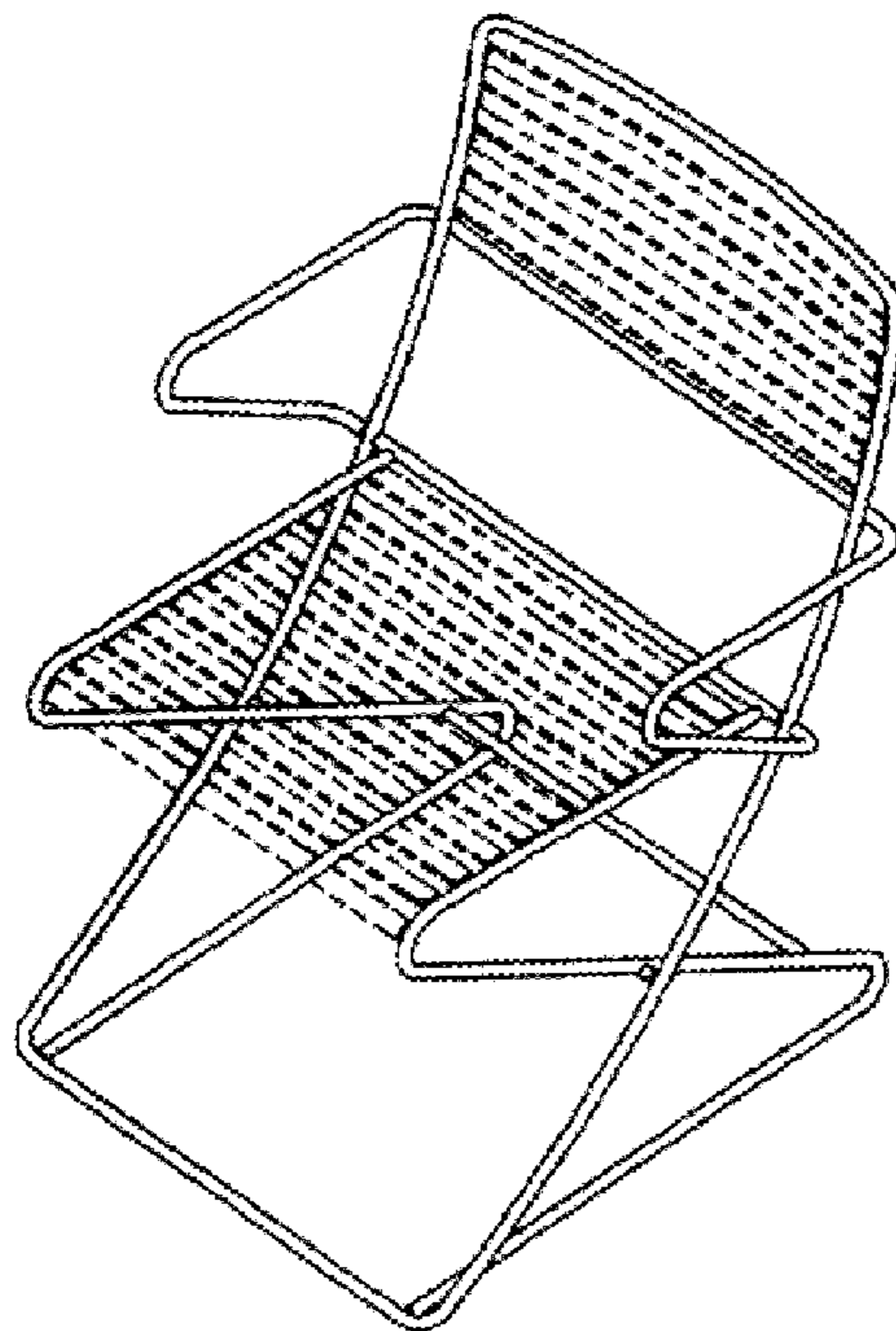
FIG. 4 is a back elevation view thereof;

FIG. 5 is a top plan view thereof; and,

FIG. 6 is a bottom plan view thereof.

In the drawings, the broken lines depict environmental subject matter only and form no part of the claimed design.

1 Claim, 6 Drawing Sheets



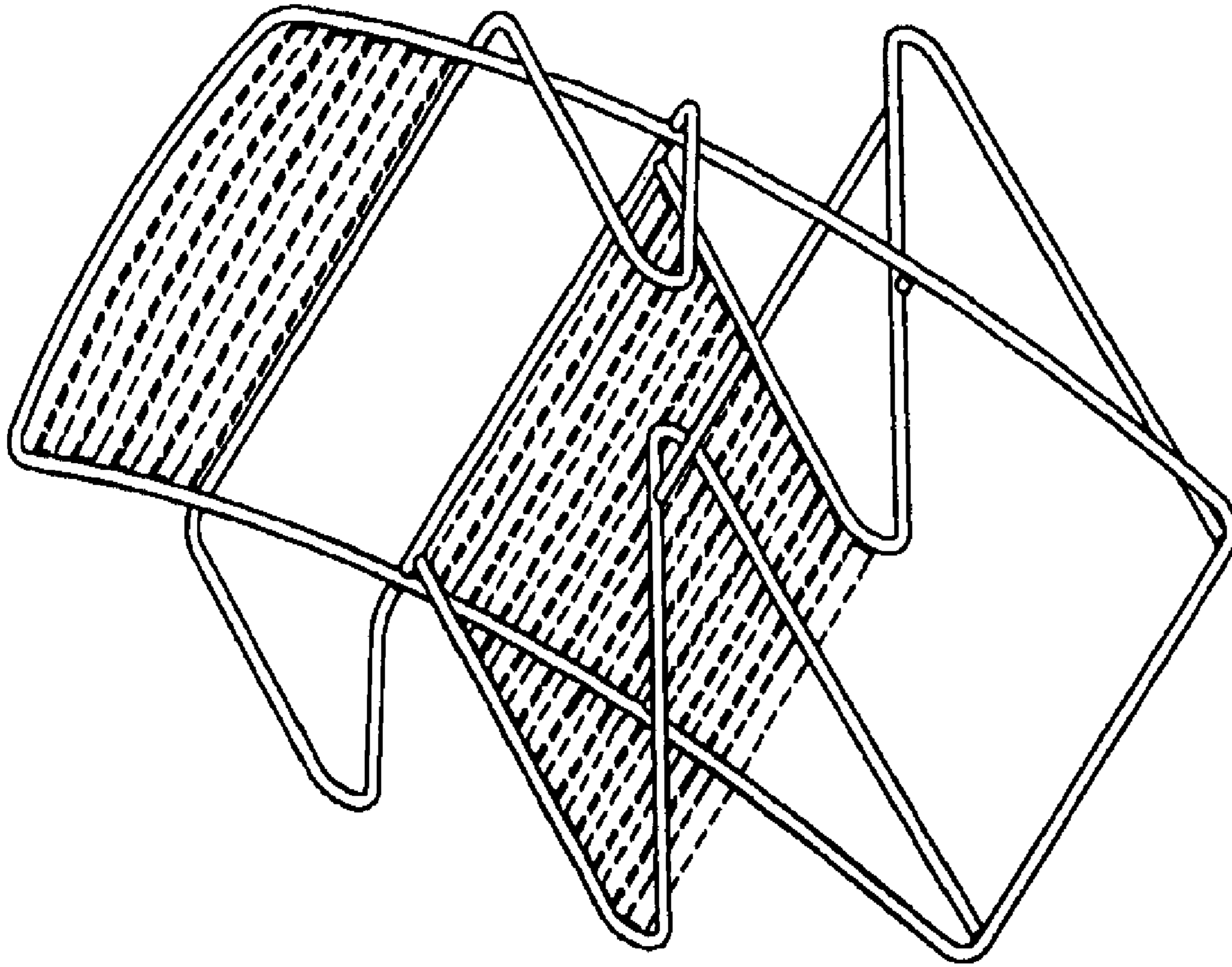


FIGURE 1

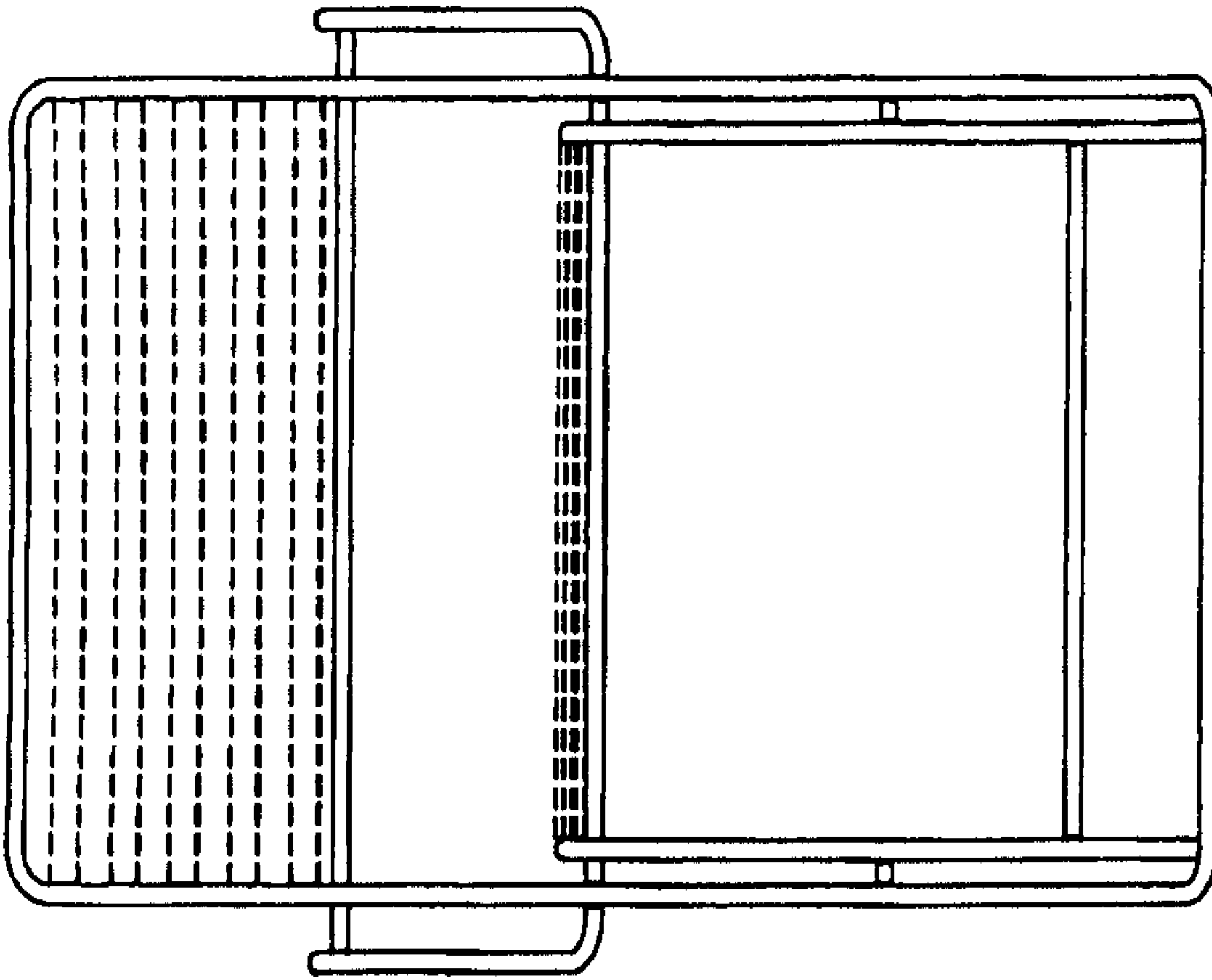


FIGURE 2

U.S. Patent

Jul. 8, 2008

Sheet 3 of 6

D572,496 S

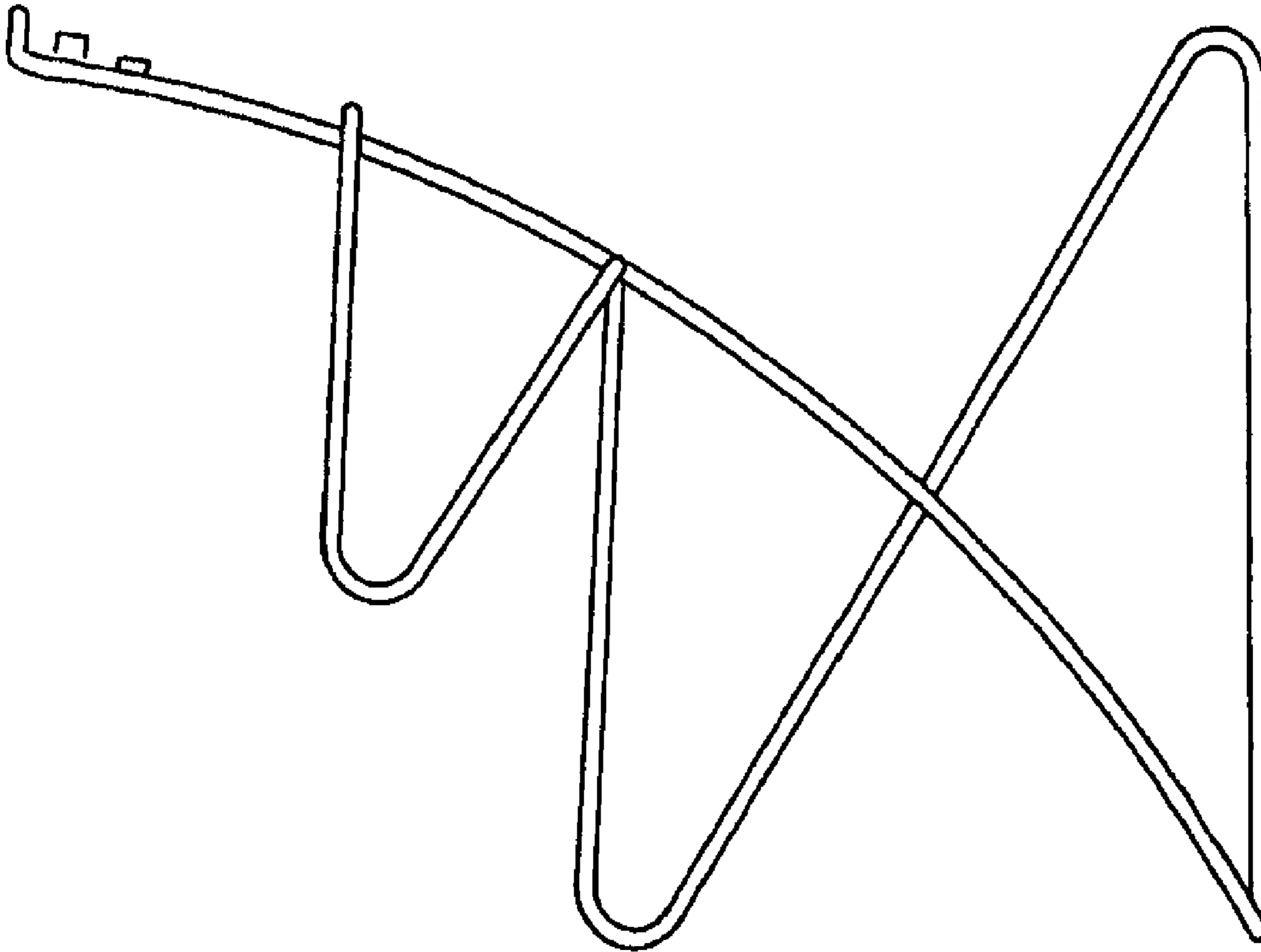


FIGURE 3

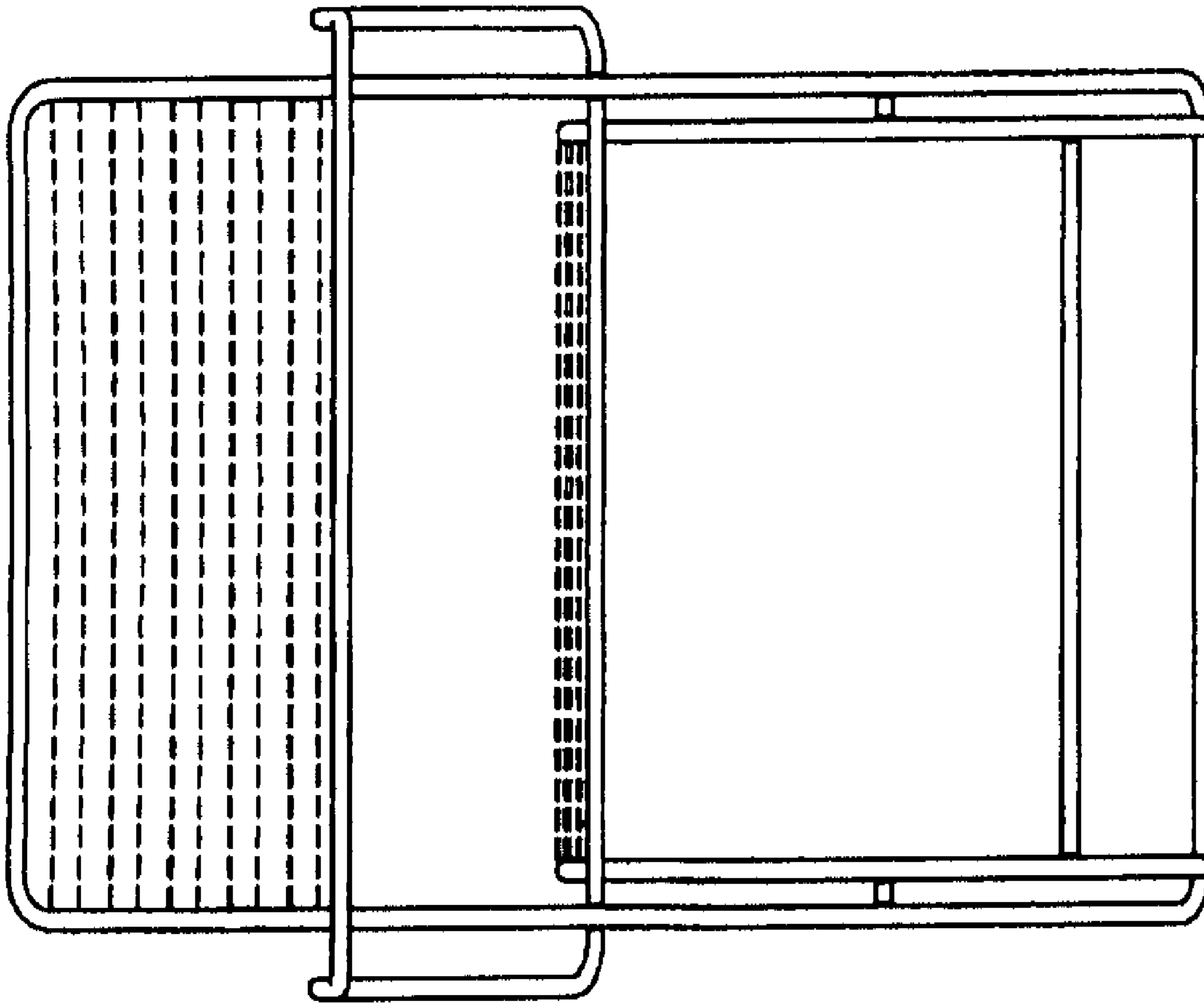


FIGURE 4

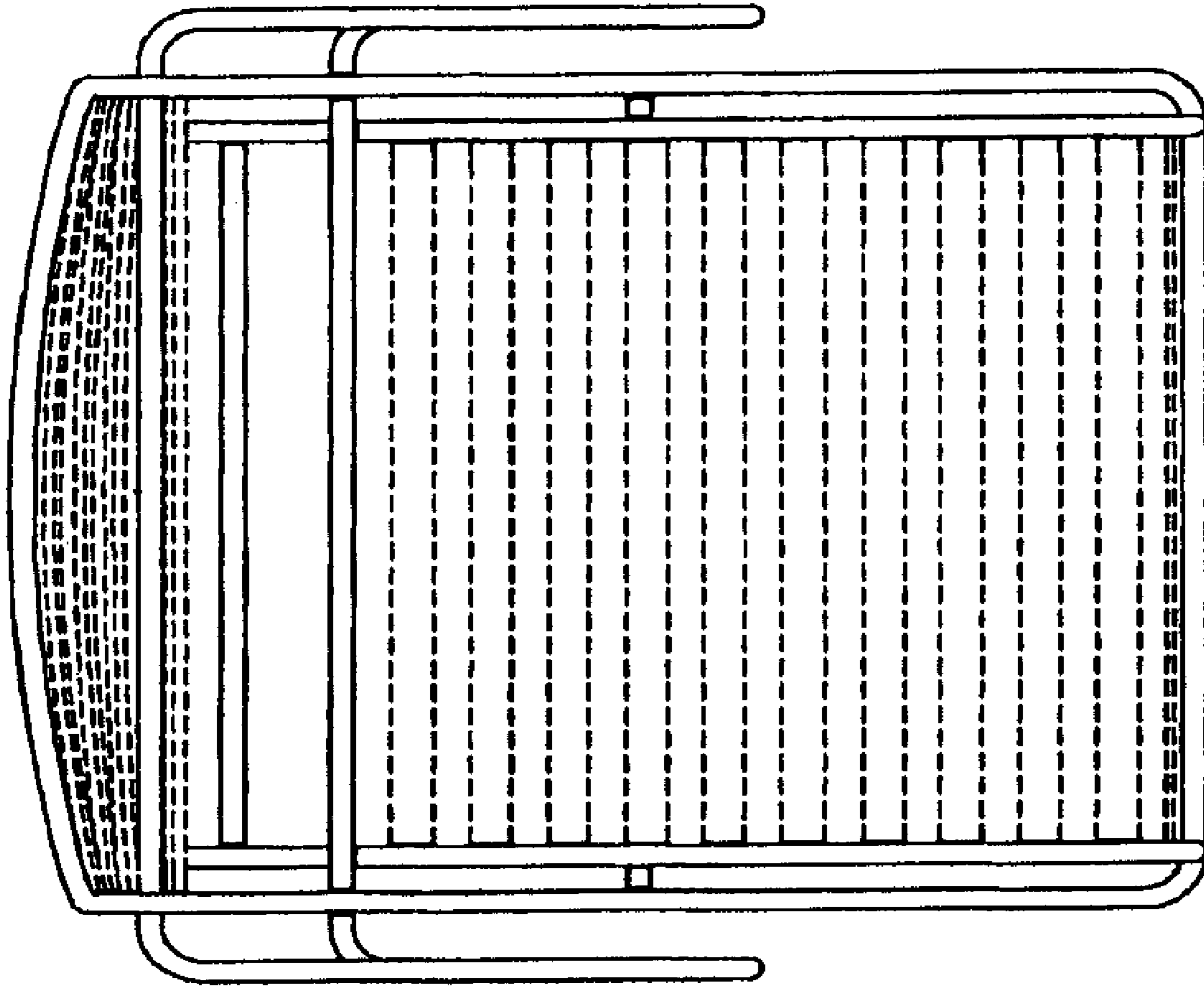


FIGURE 5

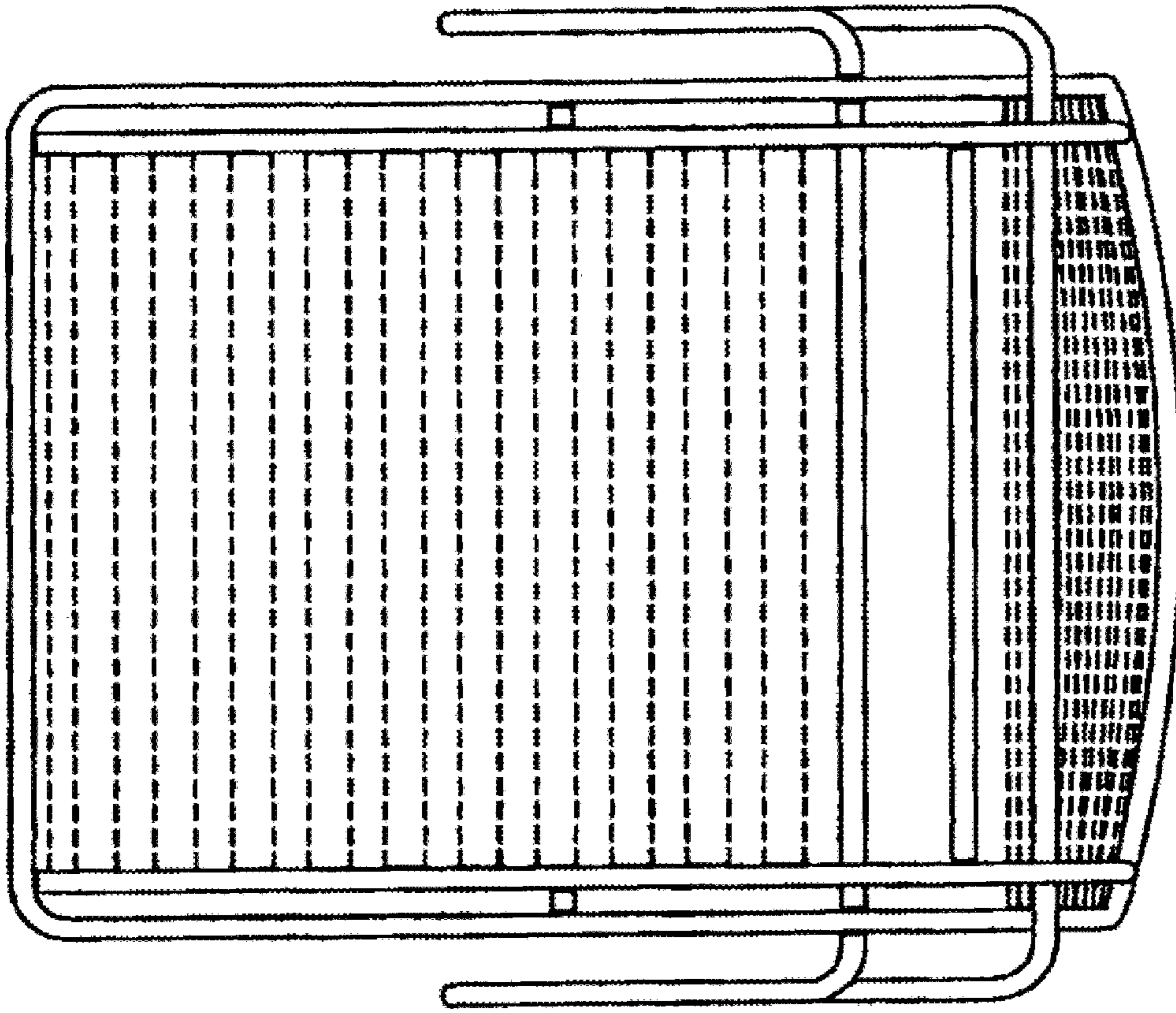


FIGURE 6