

US00D572490S

(12) **United States Design Patent**
Overthun et al.

(10) **Patent No.:** **US D572,490 S**
(45) **Date of Patent:** **** Jul. 8, 2008**

(54) **CHAIR**
(75) Inventors: **Thomas Overthun**, San Francisco, CA
(US); **Judy G. Davis**, Fort Worth, TX
(US); **Kurtis K. Kemper**, Kennedale,
TX (US)
(73) Assignee: **Steelcase Inc.**, Grand Rapids, MI (US)
(**) Term: **14 Years**

803,826 A 11/1905 Holmes et al.
863,874 A 8/1907 Rajner
955,094 A 4/1910 McNeel
1,084,111 A 1/1914 Rolfson-Schmidt
1,157,351 A 10/1915 Weber
1,233,218 A 7/1917 Gent
1,336,062 A 4/1920 Arton
1,348,813 A 8/1920 Landine
1,350,360 A 8/1920 Crane
1,357,740 A 11/1920 Stephan

(Continued)

(21) Appl. No.: **29/260,941**

FOREIGN PATENT DOCUMENTS

(22) Filed: **Jun. 5, 2006**

CA 722004 11/1965

(Continued)

(51) **LOC (8) Cl.** **06-01**
(52) **U.S. Cl.** **D6/334**
(58) **Field of Classification Search** D6/366,
D6/334, 370, 335-336, 358, 364-367, 372,
D6/375, 379, 356, 498, 500-502; 297/411.2,
297/411.27, 411.28, 411.36, 452.29, 284.4,
297/452.3

Primary Examiner—Robert M. Spear
Assistant Examiner—Katrina A Kile
(74) *Attorney, Agent, or Firm*—Price, Heneveld, Cooper,
DeWitt & Litton, LLP

See application file for complete search history.

(57) **CLAIM**

The ornamental design for a chair, as shown and described.

(56) **References Cited**

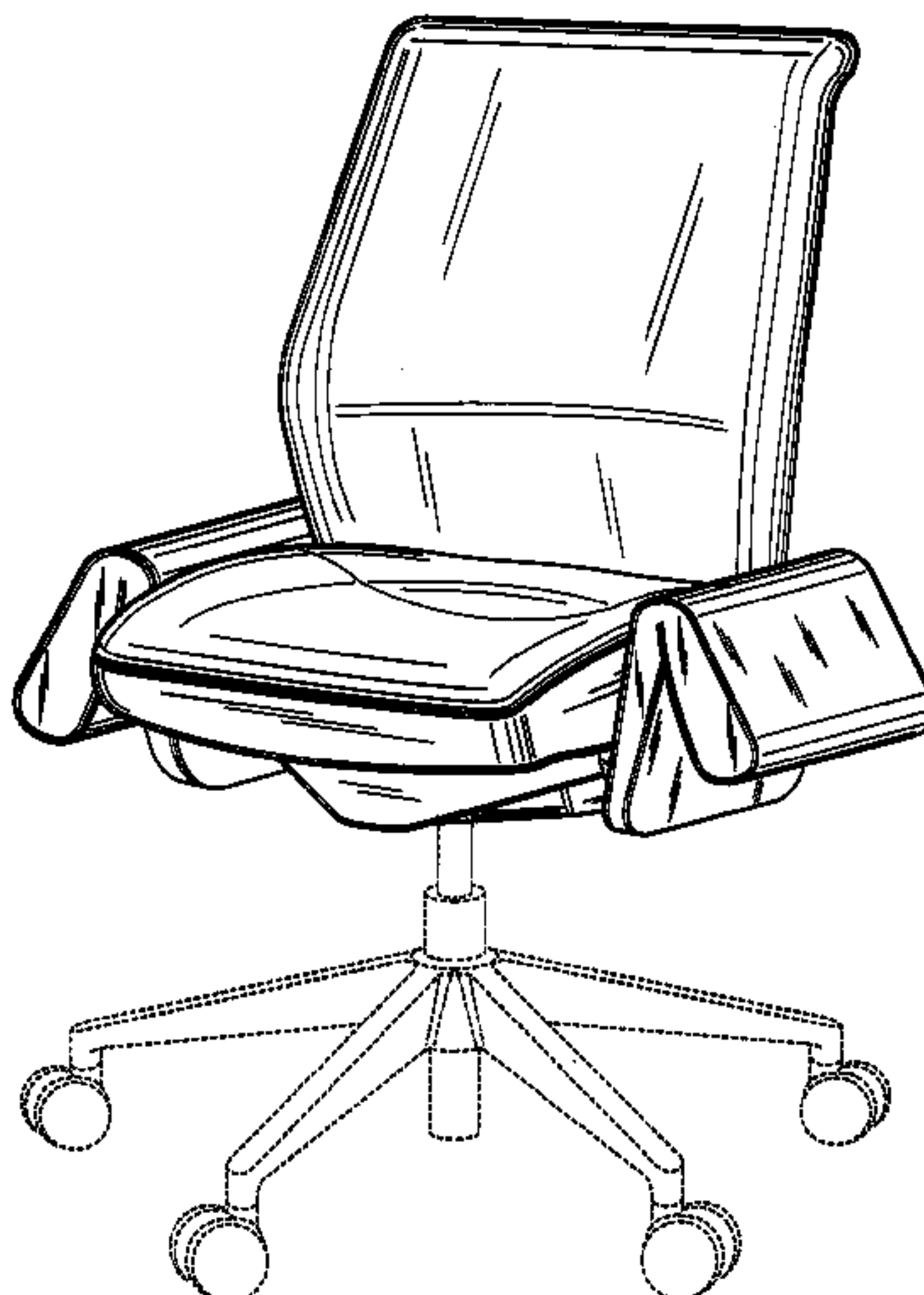
U.S. PATENT DOCUMENTS

156,177 A 10/1874 Schabel et al.
177,050 A 5/1876 Wood
229,225 A 6/1880 Young
248,919 A 1/1881 Crosgrave
415,232 A 11/1889 Warner
468,930 A 2/1892 Oulton
477,421 A 6/1892 Jaekel
479,071 A 7/1892 Holstein
518,626 A 4/1894 Pomeroy
560,547 A 5/1896 Shotwell
569,679 A 10/1896 Stokes
583,136 A 5/1897 Anderson
612,816 A 10/1898 Brilliant
685,371 A 10/1901 Davis et al.
722,855 A 3/1903 Koehn

DESCRIPTION

FIG. 1 is a perspective view of a chair, showing our new design;
FIG. 2 is a right-hand side elevational view;
FIG. 3 is a left-hand side elevational view;
FIG. 4 is a front elevational view;
FIG. 5 is a rear elevational view;
FIG. 6 is a top plan view; and,
FIG. 7 is a bottom plan view.
The dashed lines in the figures show the environment of the present design and are not part of the present design.

1 Claim, 7 Drawing Sheets



US D572,490 S

Page 2

U.S. PATENT DOCUMENTS					
			5,490,710 A	2/1996	Dearing et al.
1,424,302 A	8/1922	Helms	5,533,234 A	7/1996	Bizek
1,435,960 A	11/1922	Glocker	5,542,746 A	8/1996	Bujaryn
1,558,301 A	10/1925	Sims	5,551,757 A	9/1996	Glover
1,717,568 A	6/1929	Koenigkramer	5,599,067 A	2/1997	Schuelke et al.
1,825,909 A	10/1931	Levi	5,667,277 A	9/1997	Van De Riet
1,842,208 A	1/1932	Schneider	5,678,897 A	10/1997	Prestia
1,855,130 A	4/1932	Appleby	5,709,431 A	1/1998	Horn
1,922,502 A	8/1933	Scragg	5,722,114 A	3/1998	Lapp, Jr. et al.
1,925,246 A	9/1933	Hayes	5,775,778 A	7/1998	Riley et al.
1,993,437 A	3/1935	Ferguson	5,781,945 A	7/1998	Scherer et al.
2,064,839 A	12/1936	Kroll et al.	5,795,025 A	8/1998	Murphy
2,217,426 A	10/1940	Zareko	5,795,026 A	8/1998	Dral et al.
2,258,488 A	10/1941	Gaverth	5,816,649 A	10/1998	Shields
2,452,642 A	11/1948	Ewing	5,829,839 A	11/1998	Wilkerson et al.
2,523,452 A	9/1950	Shively	D402,497 S	12/1998	Holley
2,531,045 A	11/1950	Hoffman	D402,846 S	12/1998	Licata et al.
2,652,101 A	9/1953	Samsky et al.	5,853,223 A	12/1998	Ritt et al.
2,854,677 A	10/1958	Baker et al.	D405,637 S	2/1999	Licata et al.
2,858,876 A	11/1958	Woodson, Jr.	5,864,900 A	2/1999	Landau
2,897,000 A	7/1959	Hart et al.	5,896,619 A	4/1999	Koopman
2,931,052 A	4/1960	Todorovic	5,931,536 A	8/1999	Wu
3,028,196 A	4/1962	Kitsopoulos	6,039,402 A	3/2000	Nemoto
3,074,762 A	1/1963	Kris	6,045,183 A	4/2000	Weber
3,123,396 A	3/1964	Searle	6,053,579 A	4/2000	Nelson et al.
3,174,799 A	3/1965	Haltenberger	6,106,070 A	8/2000	Ritt et al.
3,363,939 A	1/1968	Gross	6,247,733 B1	6/2001	Weiland
3,371,956 A	3/1968	Jordan et al.	6,296,309 B1	10/2001	Kurtz
3,588,946 A	6/1971	MacDonald	D451,294 S	12/2001	Simmons, Jr. et al.
3,632,161 A	1/1972	Arfaras et al.	6,474,735 B1	11/2002	Carnahan et al.
3,712,668 A	1/1973	Fink	6,513,877 B1	2/2003	Ikeda et al.
3,751,789 A	8/1973	Fink	6,520,586 B2	2/2003	Park
3,779,600 A	12/1973	Quakenbush	6,523,903 B1	2/2003	Rabenhorst
3,950,026 A	4/1976	Van Seenus	6,547,323 B1	4/2003	Aitken et al.
4,108,493 A	8/1978	Naus	6,553,622 B2	4/2003	Maruyama et al.
4,145,020 A	3/1979	Webster	6,554,364 B1	4/2003	Dammermann et al.
4,159,148 A	6/1979	Schulz	6,619,746 B2	9/2003	Roslund, Jr. et al.
4,186,456 A	2/1980	Huempfner	6,637,812 B2	10/2003	Laughlin et al.
4,234,976 A	11/1980	Litkewycz	6,688,698 B1	2/2004	Chou et al.
4,285,544 A	8/1981	Zapf	6,702,386 B2	3/2004	Davis et al.
4,297,752 A	11/1981	Dick et al.	6,705,675 B1	3/2004	Eastman et al.
4,411,471 A	10/1983	Ponzellini	6,755,474 B2	6/2004	Magnuson
4,420,186 A	12/1983	Vogt	6,773,072 B2	8/2004	Phillips et al.
4,555,136 A	11/1985	Dranger	6,807,711 B2	10/2004	Lu
4,576,411 A	3/1986	Kitamura	6,824,217 B1	11/2004	Wang
4,612,679 A	9/1986	Mitchell	6,824,218 B1	11/2004	van Hekken
4,632,459 A	12/1986	Herschlag	D501,331 S	2/2005	Chen
4,655,489 A	4/1987	Bisbing	6,851,754 B2	2/2005	Bremner
4,697,847 A	10/1987	Herschlag	6,857,700 B2	2/2005	Eastman et al.
4,730,869 A	3/1988	Schumacher	6,883,871 B2	4/2005	Nae et al.
4,844,546 A	7/1989	Hanai	6,886,196 B2	5/2005	Nygren et al.
4,848,839 A	7/1989	Galardo	6,908,158 B2	6/2005	Willette et al.
4,865,387 A	9/1989	Lipparini et al.	6,928,673 B2	8/2005	Risk, Jr.
4,902,072 A	2/1990	Chancellor, Jr.	D509,671 S *	9/2005	Olson et al. D6/366
4,917,438 A	4/1990	Morgan	D509,969 S *	9/2005	Loew et al. D6/366
4,938,534 A	7/1990	Tornero	7,004,546 B1	2/2006	Thisius et al.
5,050,933 A	9/1991	Tornero et al.	7,021,717 B2	4/2006	Gaylord et al.
5,060,899 A	10/1991	Lorence et al.	D528,811 S *	9/2006	Giugiaro D6/366
5,114,212 A	5/1992	Verney et al.	D534,364 S *	1/2007	Loew et al. D6/366
5,211,443 A	5/1993	Kelly	D535,126 S *	1/2007	Loew et al. D6/500
5,222,263 A	6/1993	Magistretti	D541,061 S *	4/2007	Benden et al. D6/366
5,263,764 A	11/1993	Laughlin et al.	D557,532 S *	12/2007	True et al. D6/501
5,273,490 A	12/1993	Stewart et al.	D558,468 S *	1/2008	Lade D6/334
5,282,671 A	2/1994	Funk	D558,476 S *	1/2008	Kane et al. D6/366
5,284,314 A	2/1994	Misaras et al.	D558,997 S *	1/2008	Igarashi D6/366
5,328,246 A	7/1994	Sereboff	7,334,845 B2 *	2/2008	Peterson et al. 297/452.63
5,329,654 A	7/1994	Sherman	2002/0109379 A1	8/2002	Marechal et al.
5,364,164 A	11/1994	Kuranami	2003/0008587 A1	1/2003	Chen
5,394,573 A	3/1995	Laughlin et al.	2005/0093358 A1	5/2005	Matern et al.
5,408,710 A	4/1995	Garman et al.			
5,415,461 A	5/1995	Sakamoto			
5,423,596 A	6/1995	Laughlin et al.			

US D572,490 S

Page 3

2005/0146191 A1 7/2005 Machael et al.

FOREIGN PATENT DOCUMENTS

DE	83331697	4/1984
DE	20120427 U1	5/2002
DE	20205863 U1	9/2002
EP	0121899 A2	10/1984

EP	0212434	3/1987
GB	708329	5/1954
GB	2292518 A	2/1996
JP	406022828 A	2/1994
JP	409215549 A	8/1997
JP	144267 A	5/2003

* cited by examiner

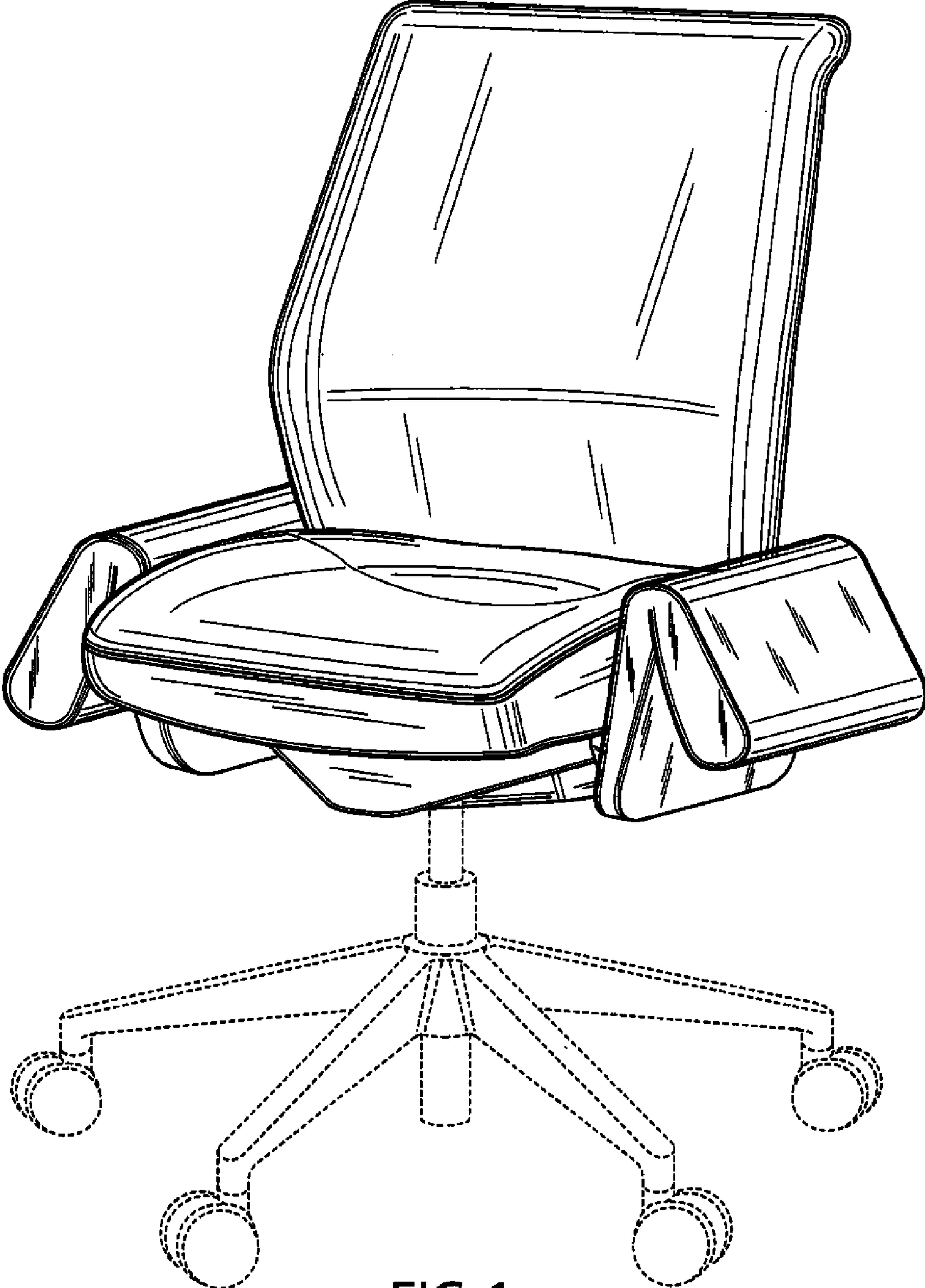


FIG. 1

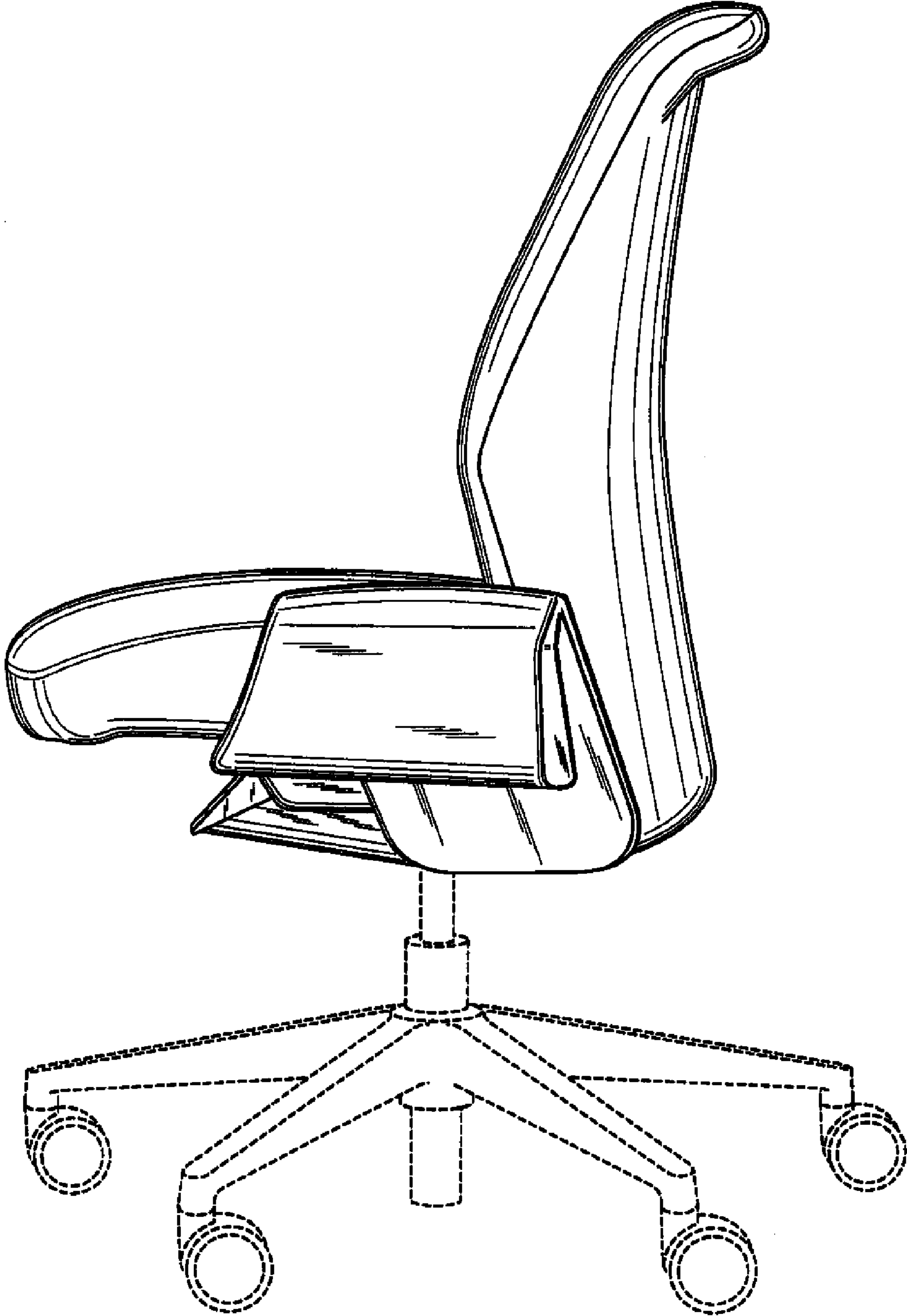


FIG. 2

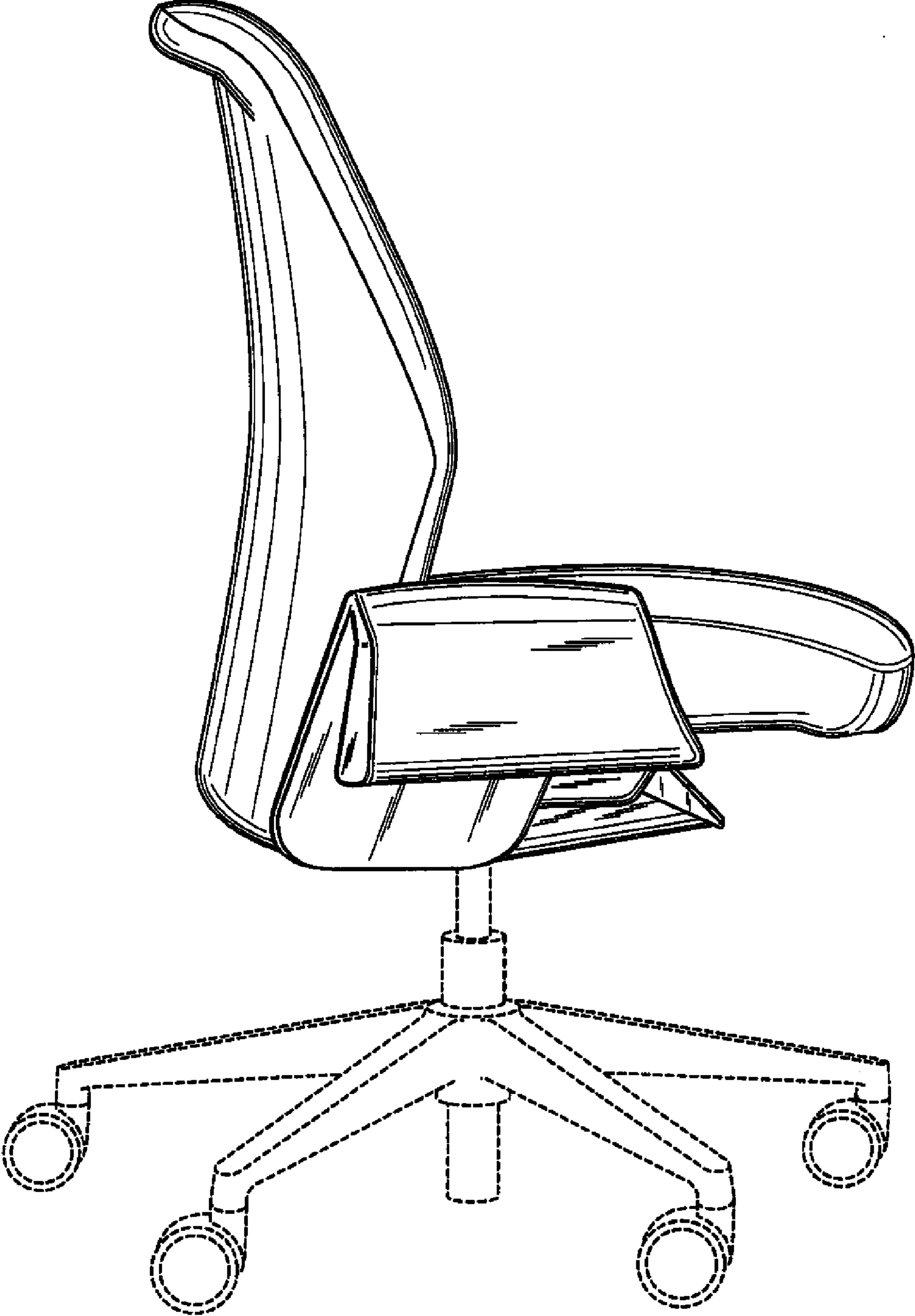


FIG. 3

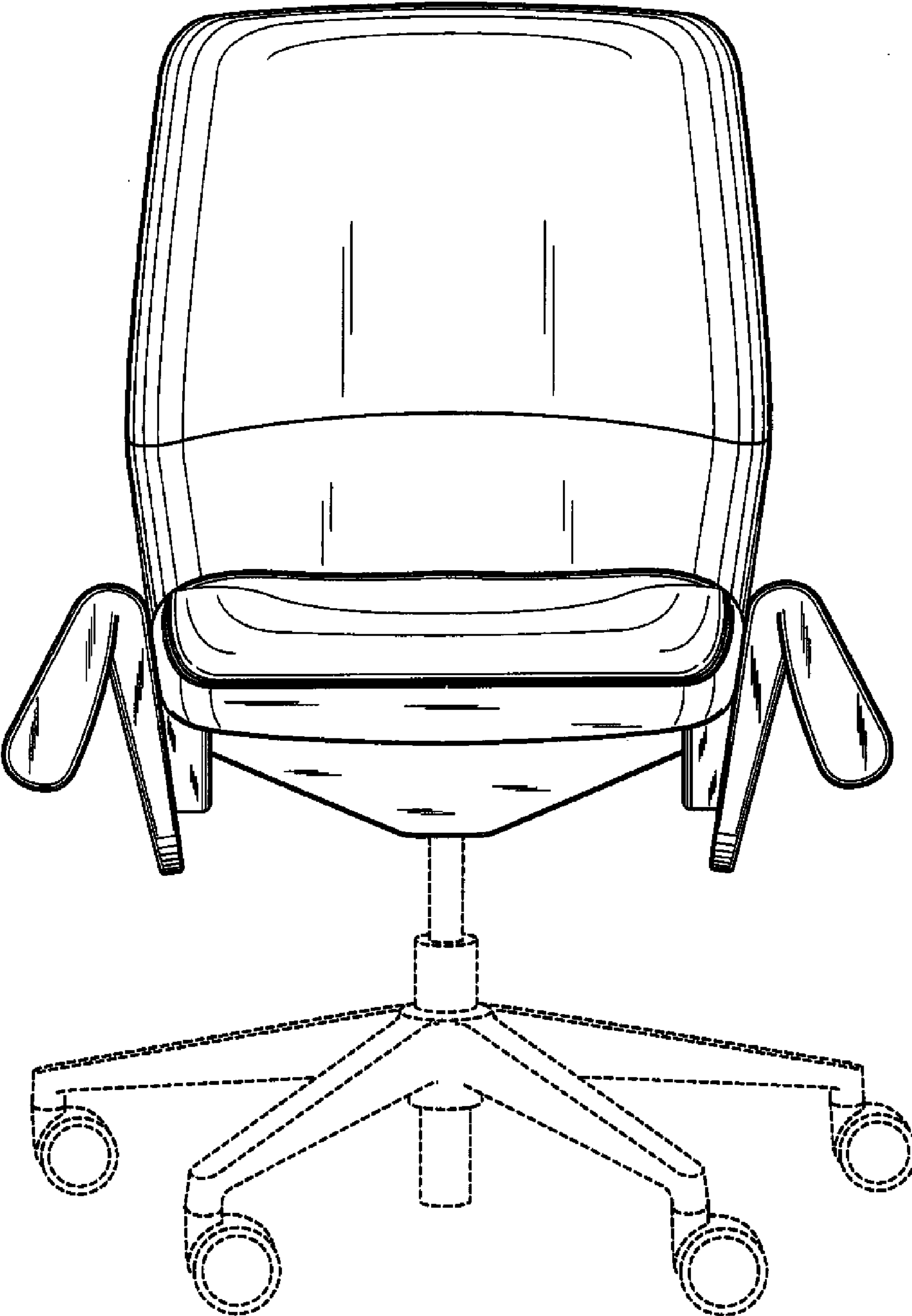


FIG. 4

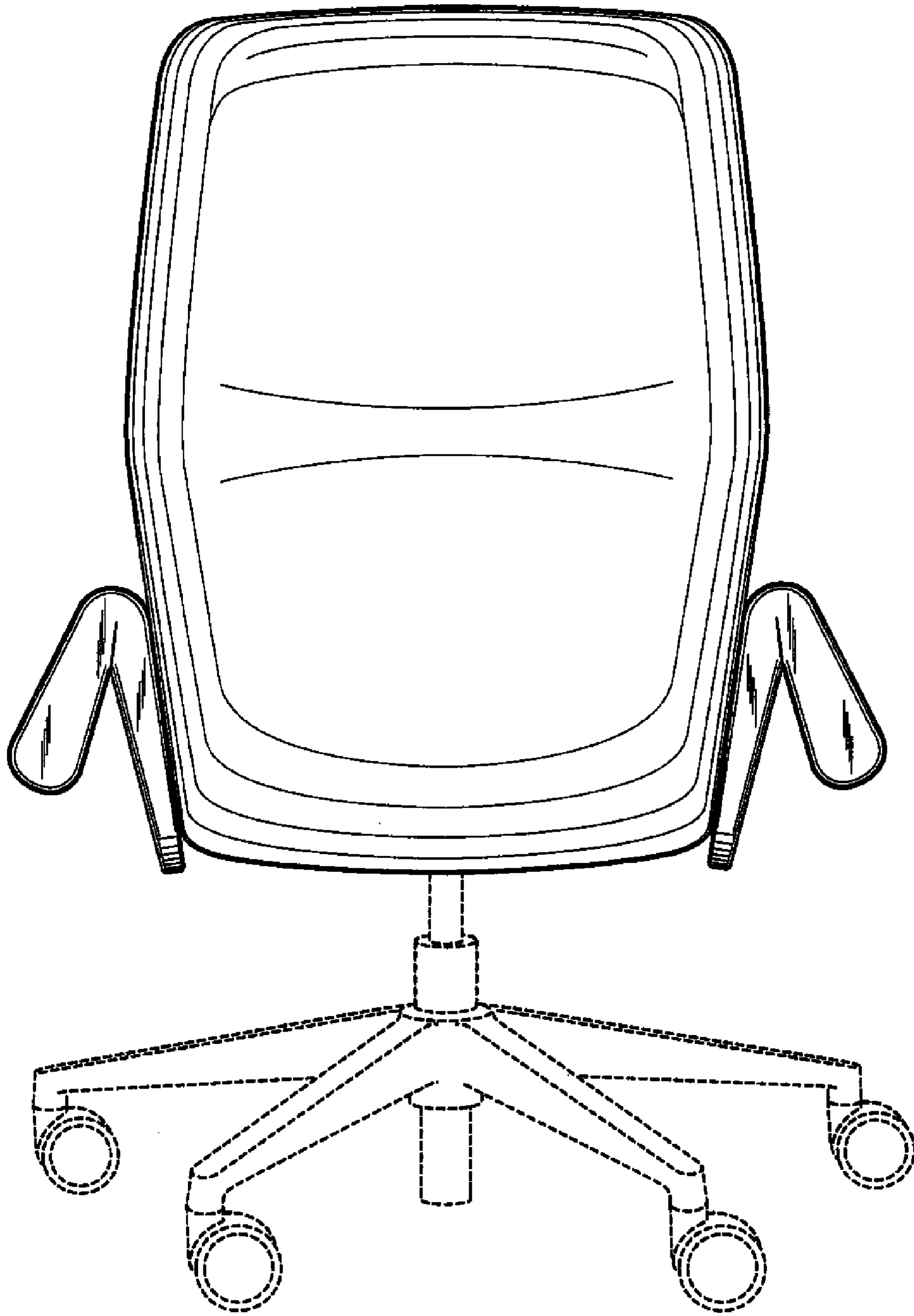


FIG. 5

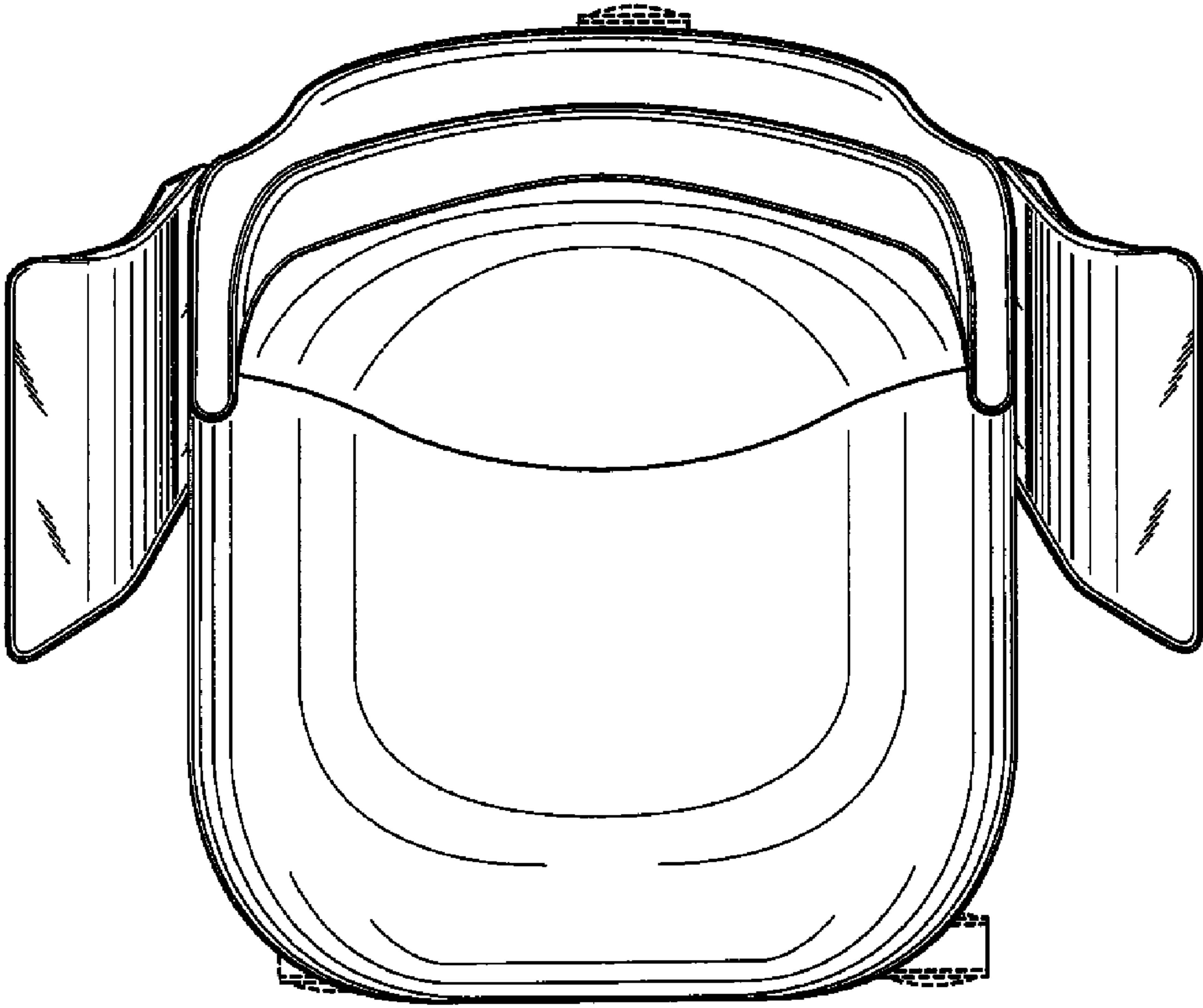


FIG. 6

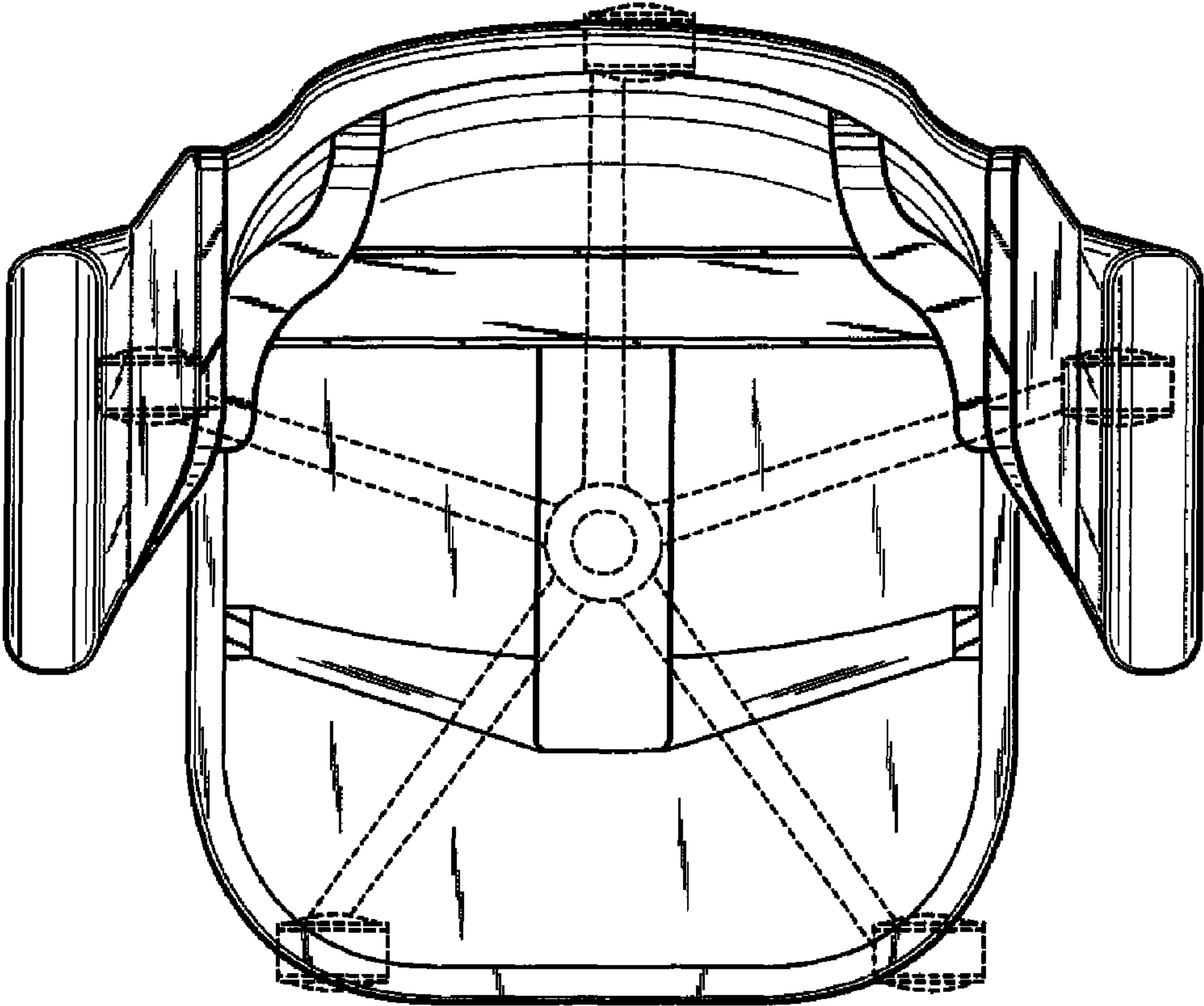


FIG. 7