



US00D572487S

(12) **United States Design Patent**
Miller

(10) **Patent No.:** **US D572,487 S**
(45) **Date of Patent:** **** Jul. 8, 2008**

(54) **BROOM**

(76) Inventor: **Roy Kevin Miller**, P.O. Box 39591,
Bramley (ZA) 2018

(**) Term: **14 Years**

(21) Appl. No.: **29/248,716**

(22) Filed: **Aug. 30, 2006**

(51) **LOC (8) Cl.** **04-01**

(52) **U.S. Cl.** **D4/118; D4/136**

(58) **Field of Classification Search** D4/118,
D4/132, 135, 136, 199; 15/111, 146, 159.1,
15/160, 171, 176.2, 188; D32/50

See application file for complete search history.

(56) **References Cited**

U.S. PATENT DOCUMENTS

D29,613 S * 11/1898 Loveless D4/199
5,072,479 A * 12/1991 Van Niekerk 15/111
5,664,278 A * 9/1997 Reisman 15/160
D493,287 S * 7/2004 Hay et al. D4/130

FOREIGN PATENT DOCUMENTS

EP 3000531 4/2002

GB 2150016 A * 6/1985
WO WO 94/04057 A1 * 3/1994
WO WO 00/64610 11/2000

* cited by examiner

Primary Examiner—Cathron Brooks

Assistant Examiner—Lavone D Tabor

(74) *Attorney, Agent, or Firm*—Smith, Gambrell & Russell,
LLP

(57) **CLAIM**

The ornamental design for a broom, as shown and described.

DESCRIPTION

FIG. 1 is a top perspective view of a broom of the invention;

FIG. 2 is an elevation view from a first side;

FIG. 3 is a left end view;

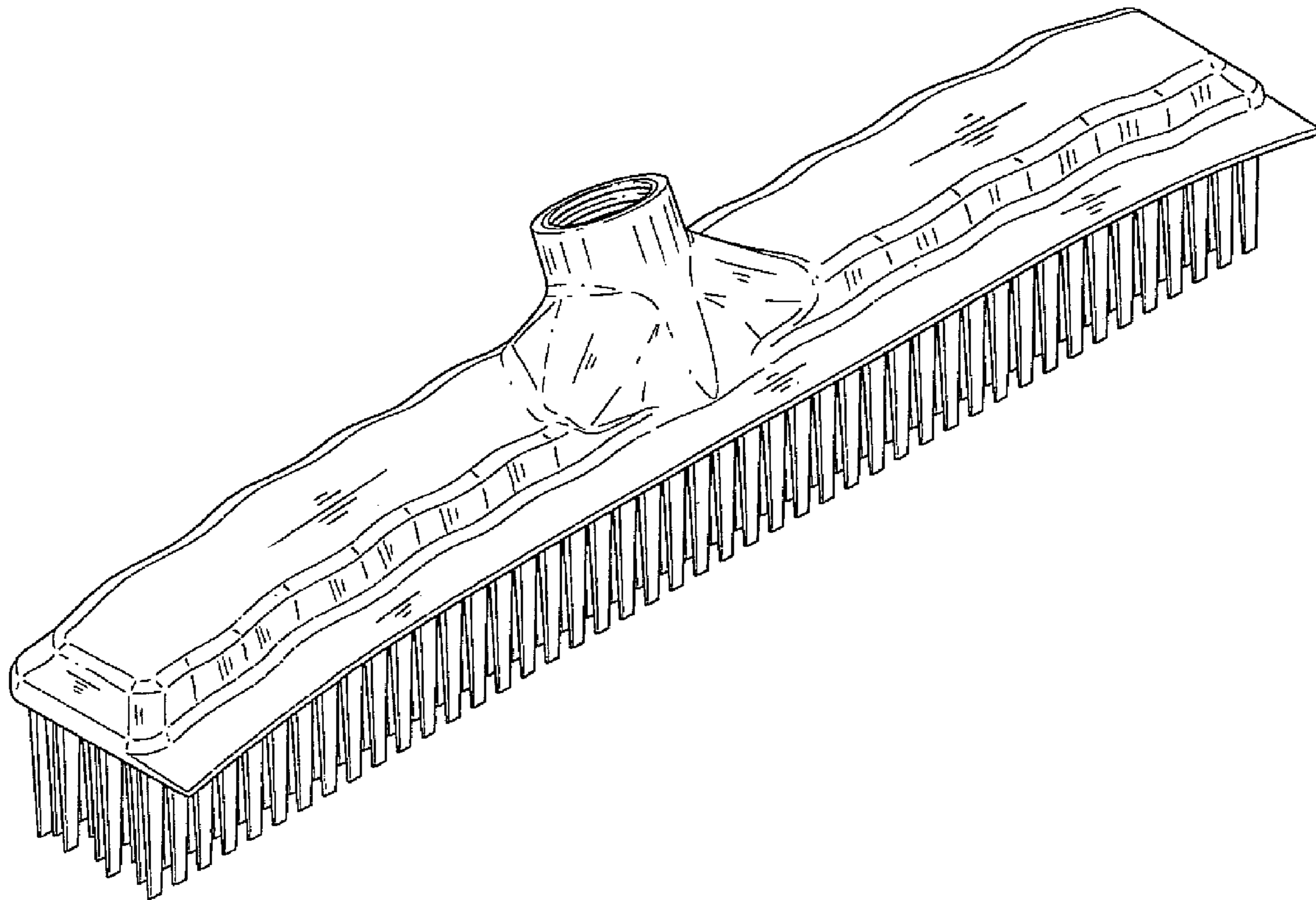
FIG. 4 is an elevation view from a second side;

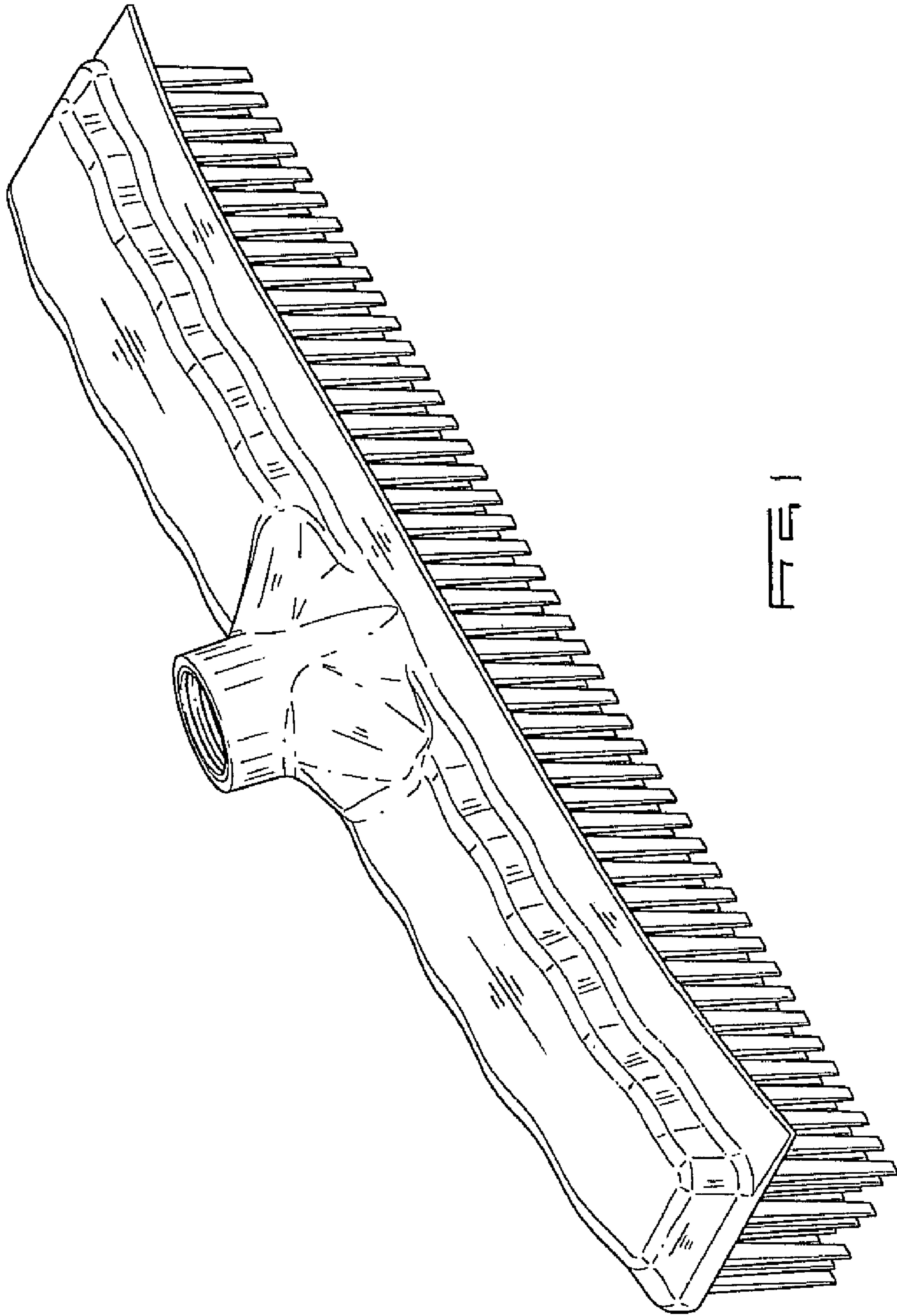
FIG. 5 is a right end view;

FIG. 6 is a top plan view; and,

FIG. 7 is a bottom plan view.

1 Claim, 3 Drawing Sheets





100

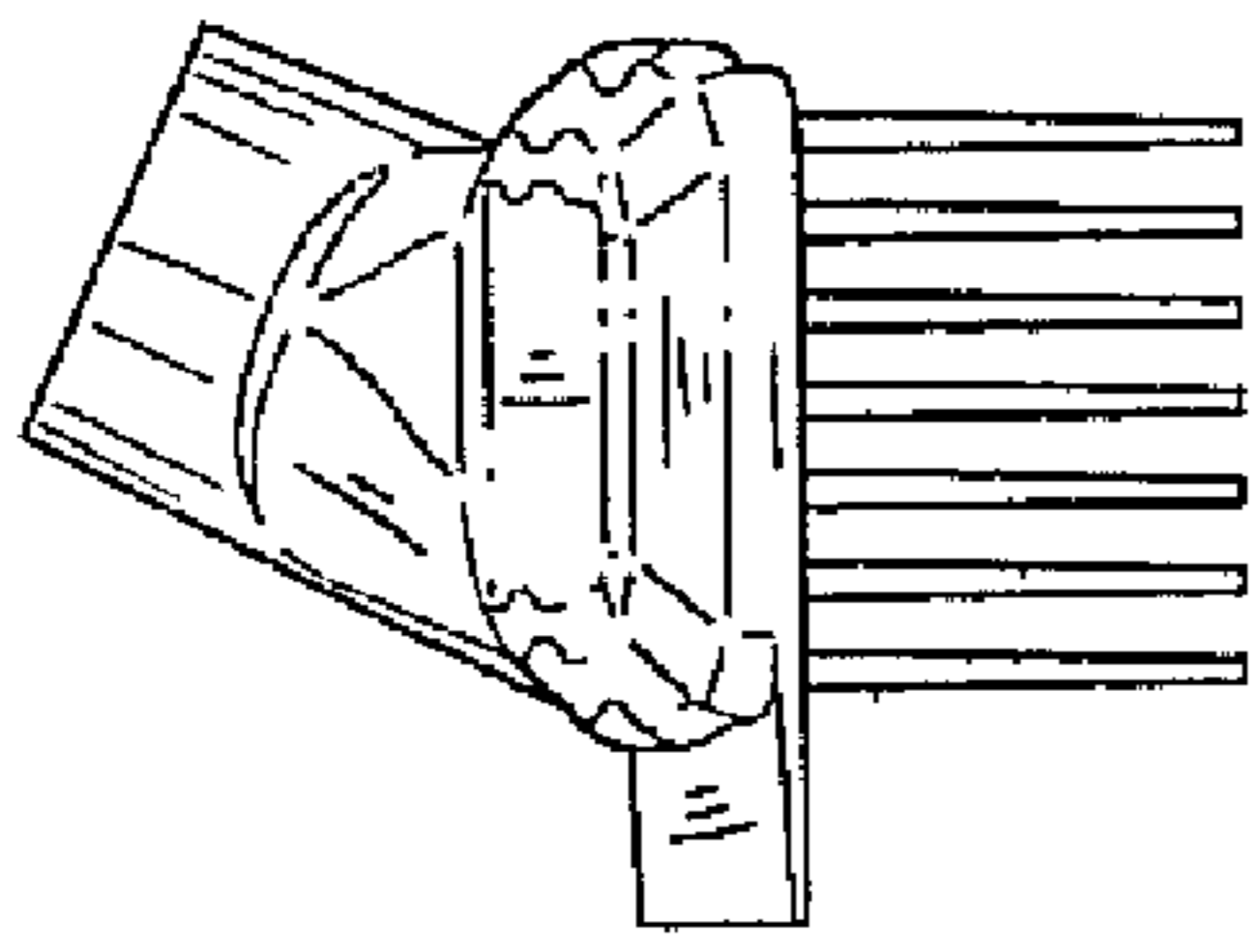


FIG 3

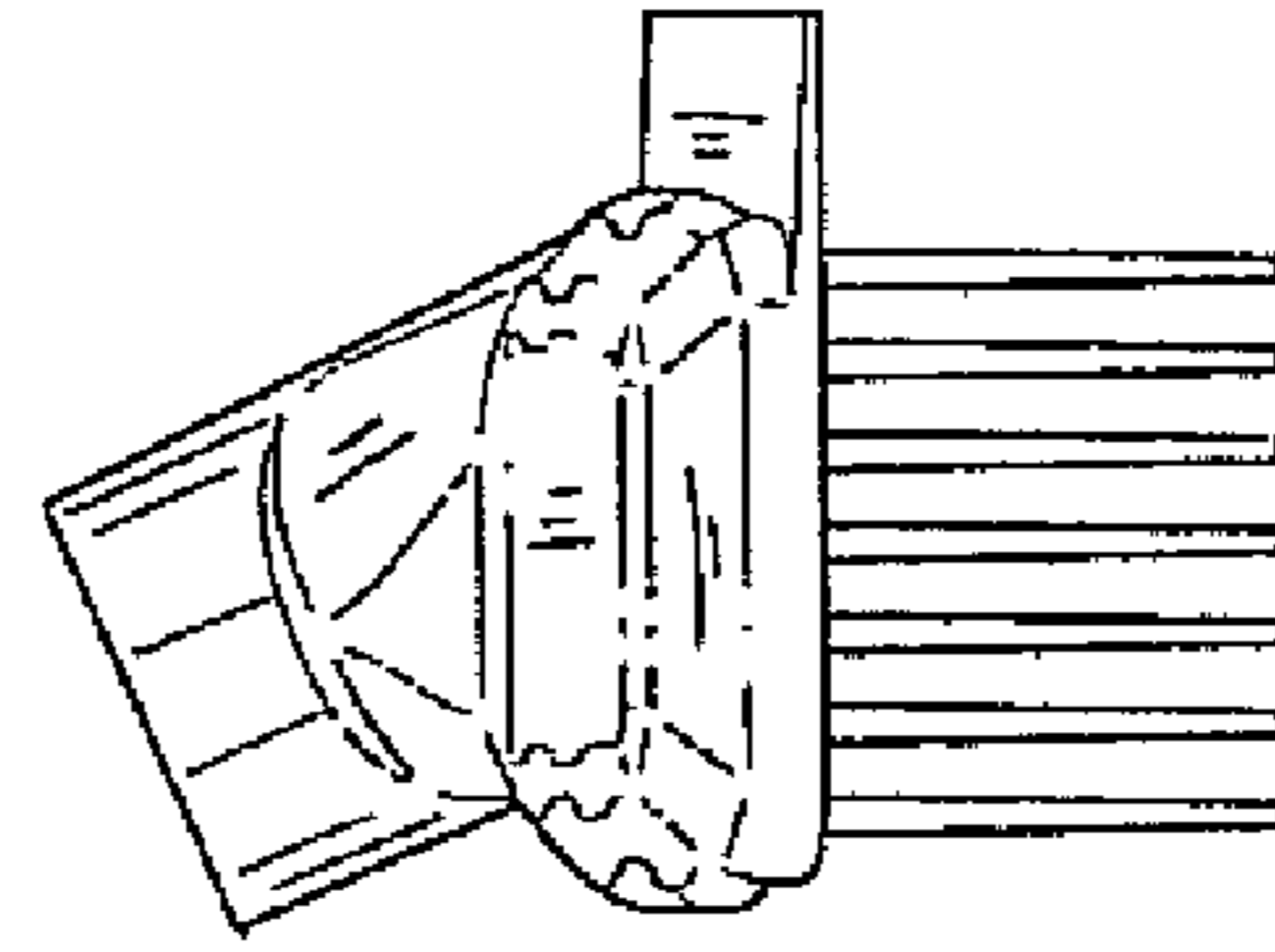


FIG 5

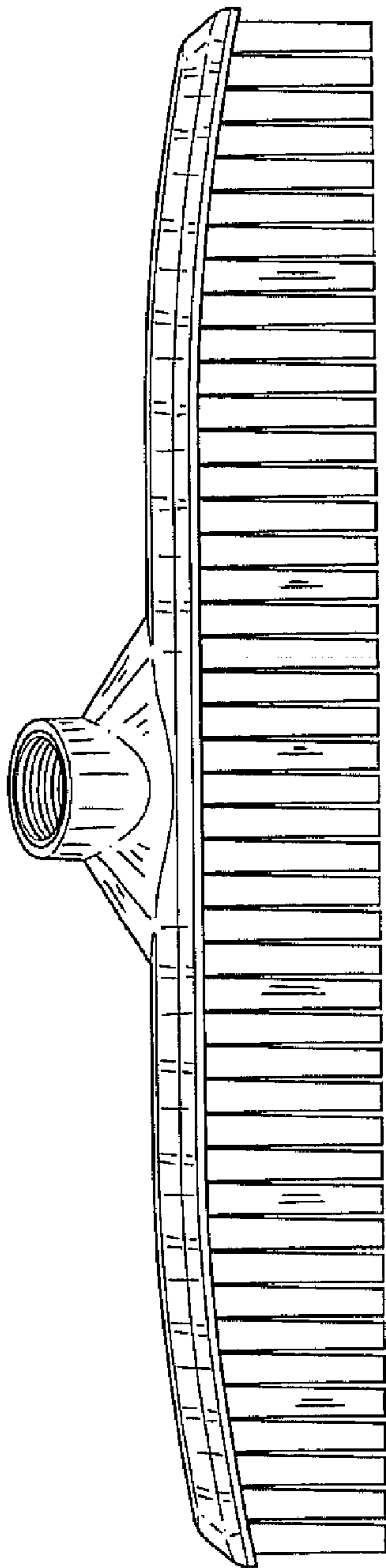


FIG 2

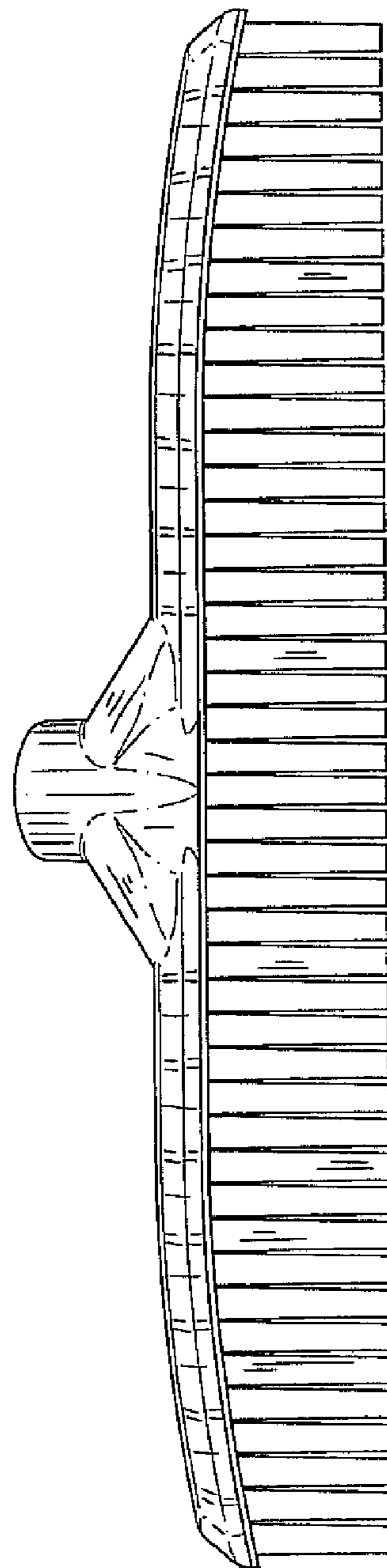


FIG 4

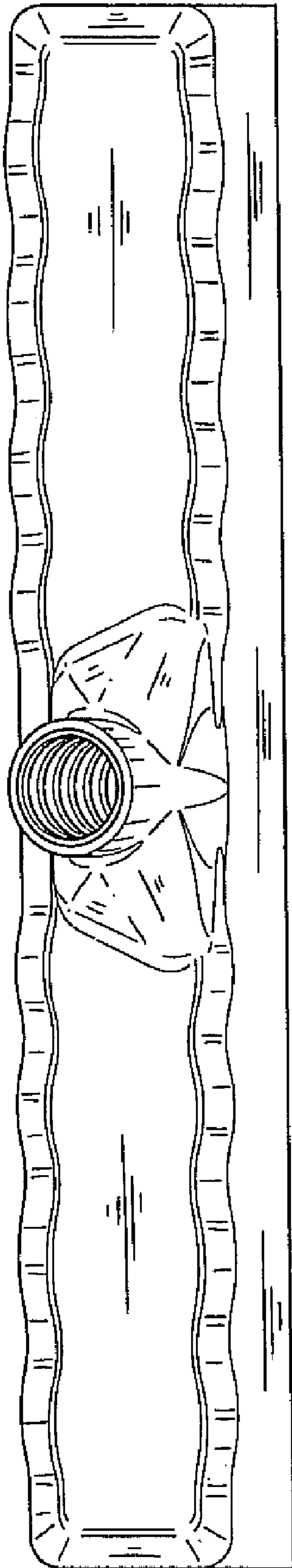


FIG. 6

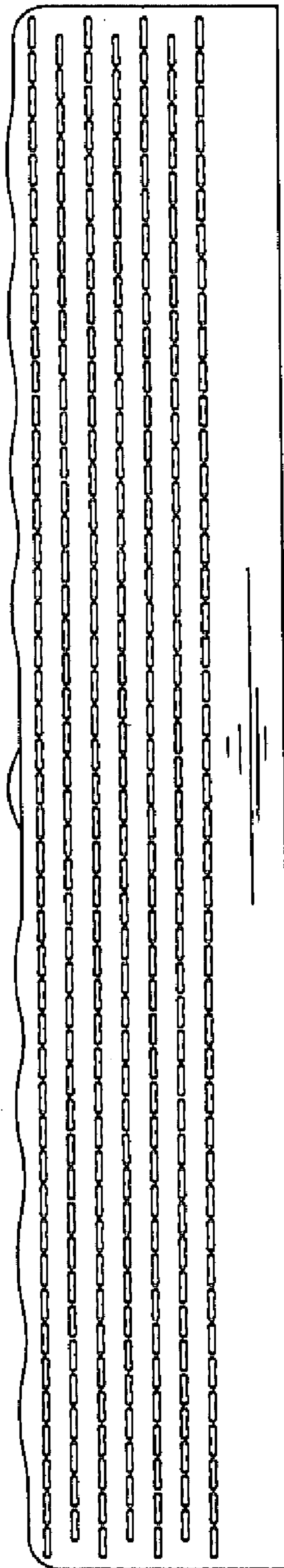


FIG. 7