



US00D572485S

(12) **United States Design Patent**
Gonzalez

(10) **Patent No.:** **US D572,485 S**
(45) **Date of Patent:** **** Jul. 8, 2008**

(54) **ELEMENT OF A HANDBAG**

(75) Inventor: **Alvaro Gonzalez**, Florence (IT)

(73) Assignee: **J. Choo Limited**, London (GB)

(**) Term: **14 Years**

(21) Appl. No.: **29/269,616**

(22) Filed: **Dec. 4, 2006**

(30) **Foreign Application Priority Data**

Jun. 5, 2006 (EM) 000541743-001

(51) **LOC (8) Cl.** **03-01**

(52) **U.S. Cl.** **D3/318**

(58) **Field of Classification Search** D3/318,
D3/321-322, 324, 319, 326; 150/118, 143,
150/100, 110-112, 117

See application file for complete search history.

(56) **References Cited**

U.S. PATENT DOCUMENTS

847,295 A * 3/1907 Randall 150/118
4,993,526 A 2/1991 Morrison
D406,177 S 2/1999 Milroy
D521,736 S * 5/2006 Gonzalez D3/321

OTHER PUBLICATIONS

U.S. Appl. No. 29/263,357, filed Jul. 19, 2006.

U.S. Appl. No. 29/263,194, filed Jul. 17, 2006.

U.S. Appl. No. 29/271,662, filed Jan. 23, 2007.

U.S. Appl. No. 29/269,617, filed Dec. 4, 2006.

* cited by examiner

Primary Examiner—Holly H Baynham

(74) *Attorney, Agent, or Firm*—Fross Zelnick Lehrman & Zissu, P.C.; Lawrence E. Apolzon, Esq.

(57) **CLAIM**

The ornamental design for element of a handbag, as shown and described.

DESCRIPTION

FIG. 1 is a front perspective view of an element of a handbag showing my new design.

FIG. 2 is a front view of an element of handbag shown in FIG. 1;

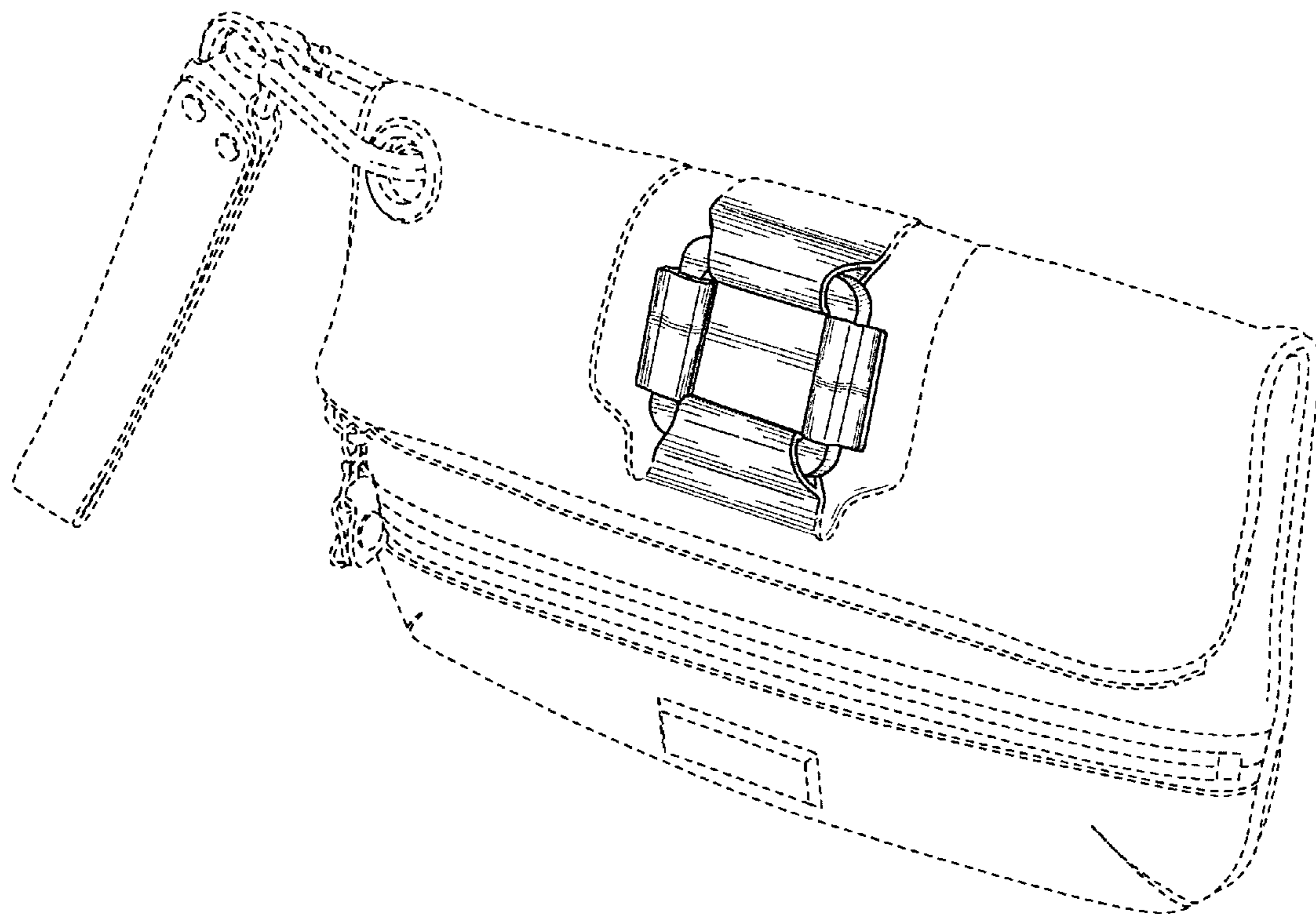
FIG. 3 is a right side view of an element of handbag shown in FIG. 1;

FIG. 4 is a left side view of an element of handbag shown in FIG. 1; and,

FIG. 5 is a top view of an element of handbag shown in FIG. 1.

The broken line showing of the zippers, zipper pulls, body of bag, central piece, carabiner (non-locking), grommets, strap is for illustrative purposes only and forms no part of the claimed design.

1 Claim, 4 Drawing Sheets



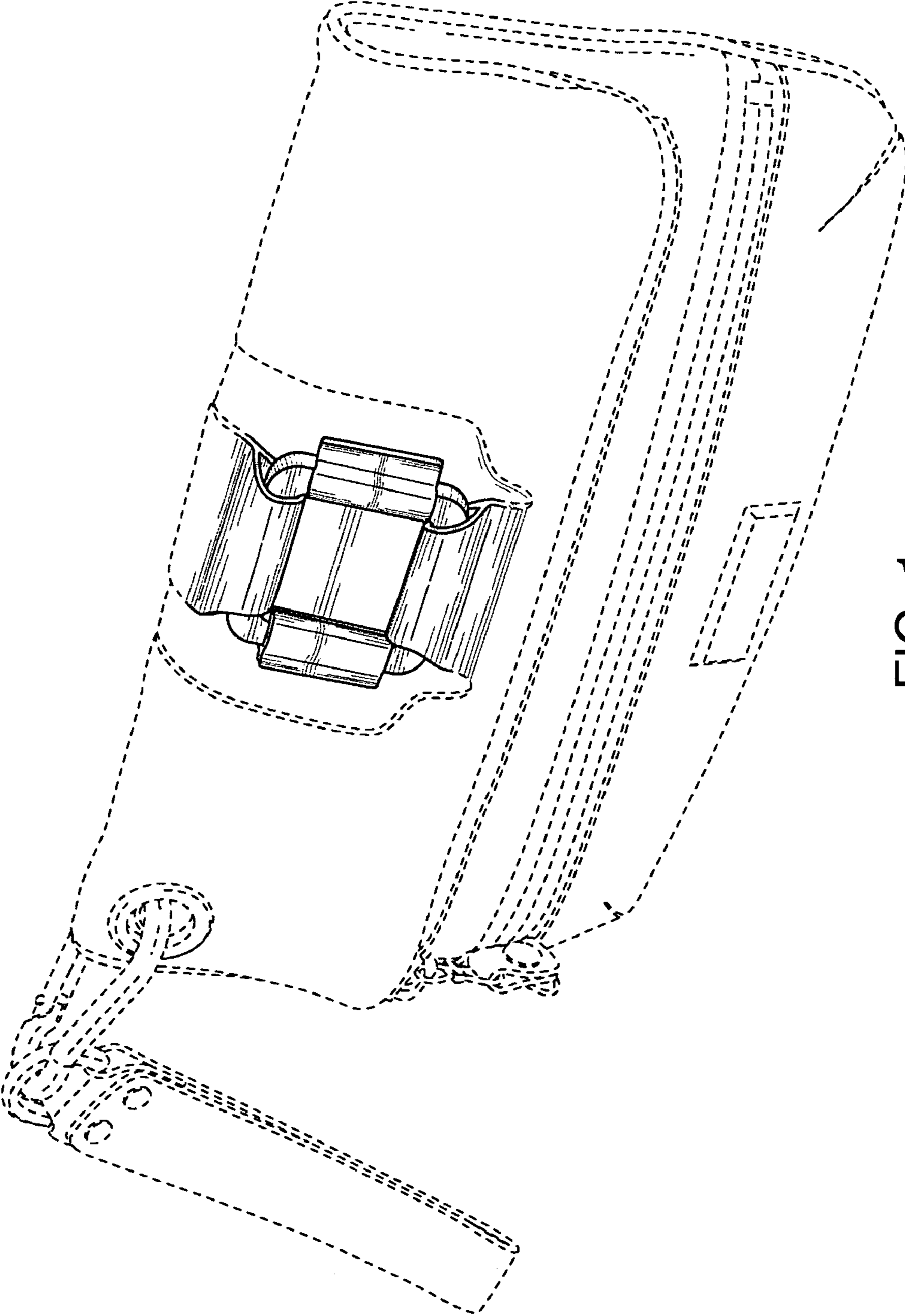


FIG. 1

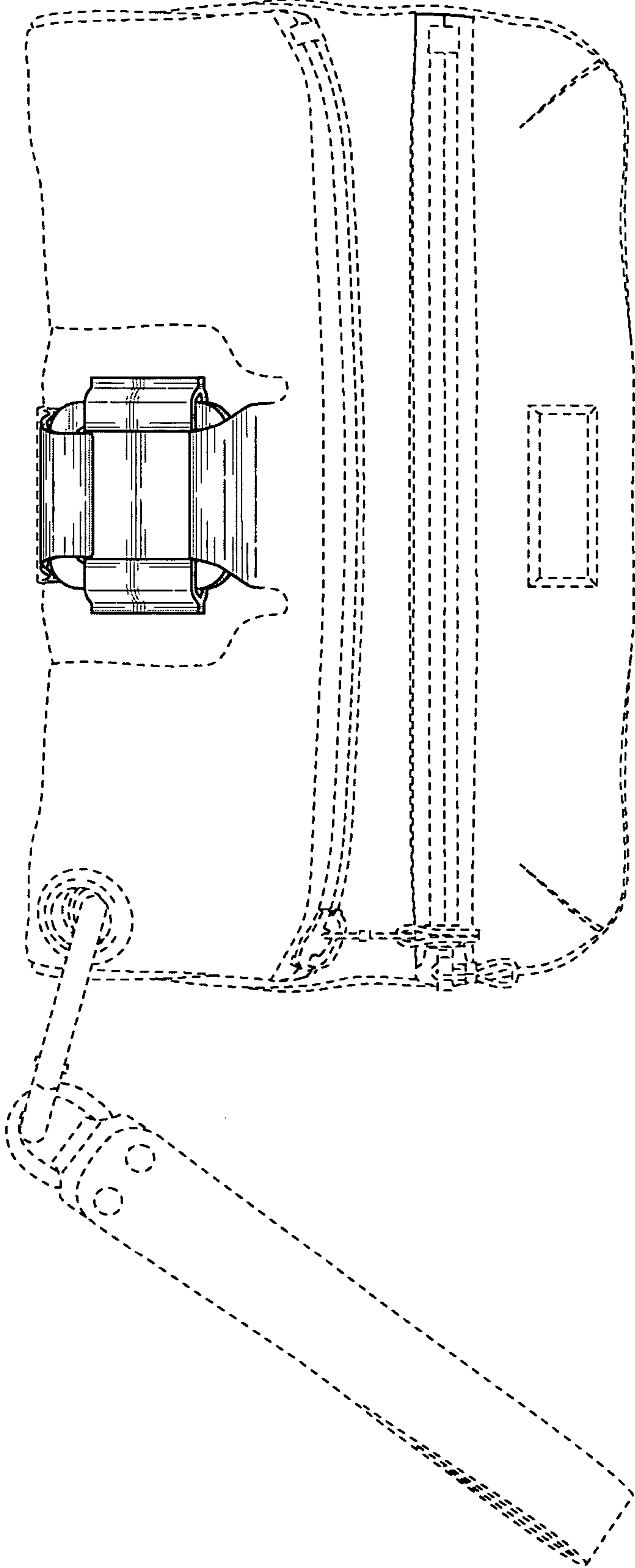


FIG. 2

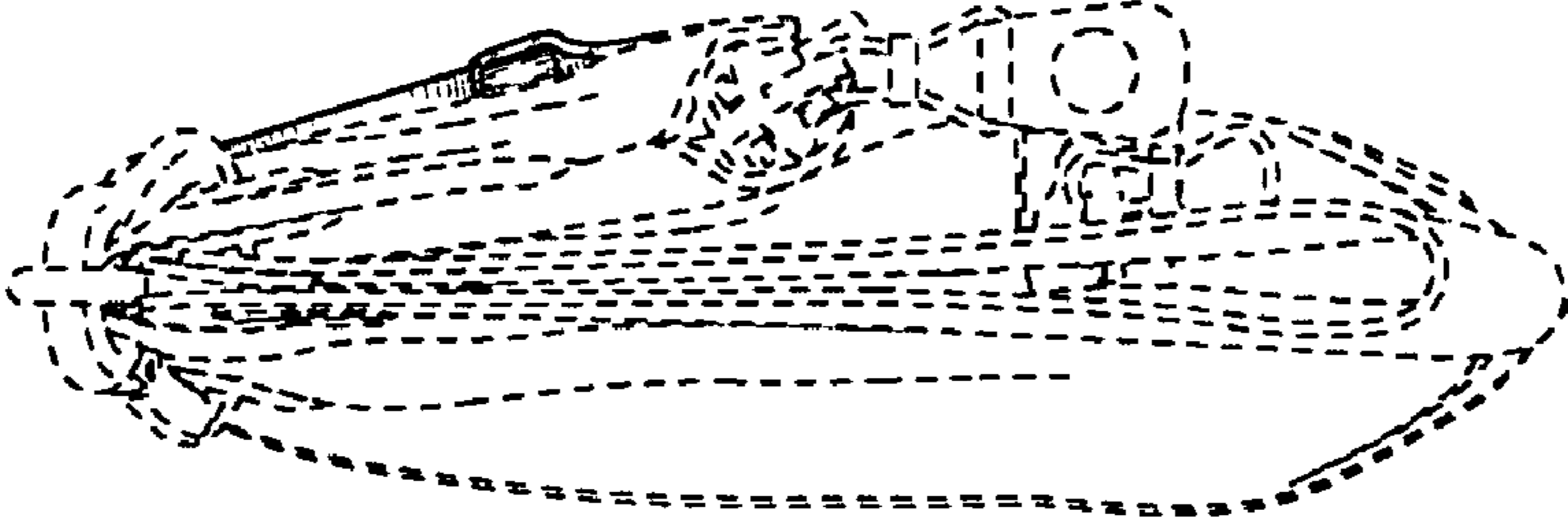


FIG. 4

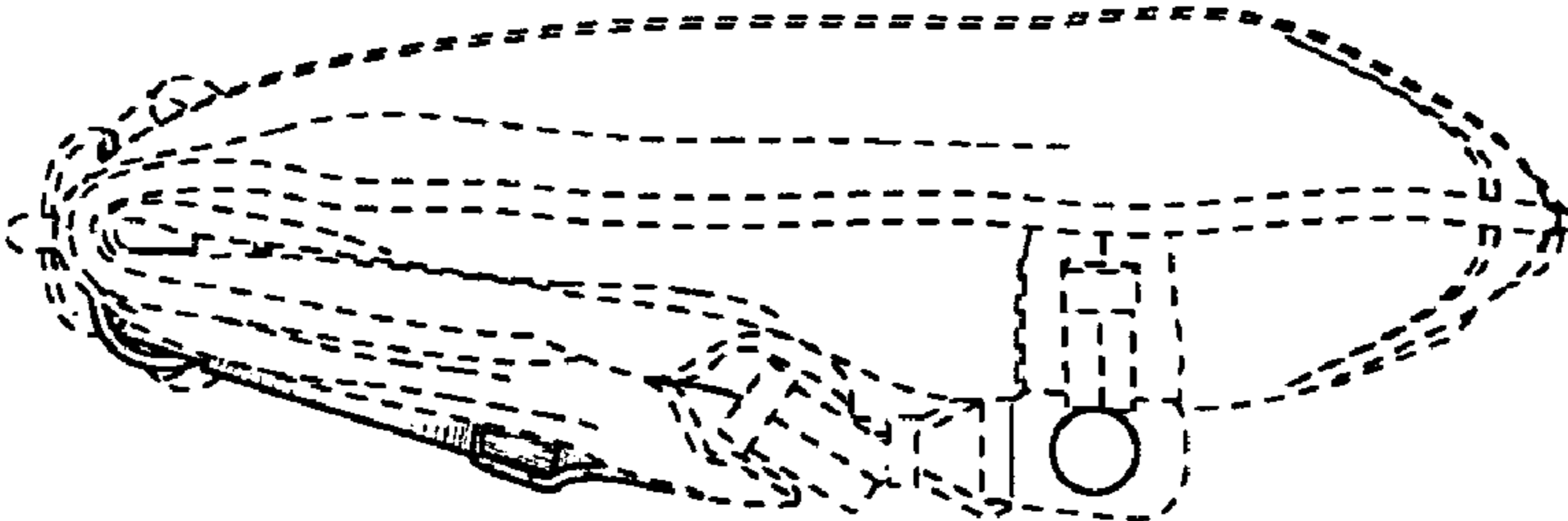


FIG. 3

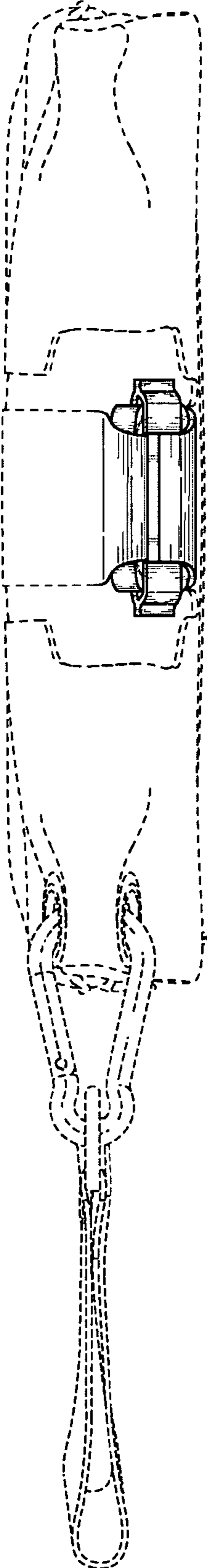


FIG. 5