



US00D572479S

(12) **United States Design Patent**
Buck et al.

(10) **Patent No.:** **US D572,479 S**
(45) **Date of Patent:** **** Jul. 8, 2008**

(54) **POWER TOOL BOX**

(75) Inventors: **John E. Buck**, Cockeysville, MD (US);
Jeremy D. Leasure, Jackson, TN (US);
Fredrick M. Morgan, Jackson, TN
(US); **Robert P. Welsh**, Phoenix, MD
(US)

(73) Assignee: **Black & Decker Inc.**, Newark, DE (US)

(**) Term: **14 Years**

(21) Appl. No.: **29/288,464**

(22) Filed: **Jun. 12, 2007**

(51) **LOC (8) Cl.** **03-01**

(52) **U.S. Cl.** **D3/282; D3/294; D3/905**

(58) **Field of Classification Search** D3/273,
D3/276, 281–283, 286, 291, 294–295, 905;
206/349, 372–373, 508–509, 511, 821

See application file for complete search history.

(56) **References Cited**

U.S. PATENT DOCUMENTS

D294,775 S *	3/1988	Rechberg	D3/279
D351,504 S *	10/1994	Tarozzi	D3/276
D357,117 S *	4/1995	Huang	D3/276
D364,957 S *	12/1995	Turbowitz	D3/276
D413,203 S *	8/1999	Zurwelle et al.	D3/276
D428,699 S *	8/2000	Gibson et al.	D3/282
D429,884 S *	8/2000	Zurwelle et al.	D3/281
D432,304 S *	10/2000	Zurwelle et al.	D3/281
D439,407 S *	3/2001	Parker	D3/276

D462,519 S *	9/2002	Gaydos et al.	D3/276
6,578,937 B1 *	6/2003	Thoman	312/107
D478,209 S *	8/2003	Chen	D3/282
D482,869 S *	12/2003	Chen	D3/282
6,889,838 B2 *	5/2005	Meier et al.	206/508
D507,701 S *	7/2005	Chen	D3/282
D516,553 S *	3/2006	Richardson et al.	D14/341
D520,237 S *	5/2006	Cheng	D3/276
7,108,131 B2 *	9/2006	Dreher et al.	206/349
D530,912 S *	10/2006	Wikle	D3/281
D557,897 S *	12/2007	Richardson et al.	D3/294

* cited by examiner

Primary Examiner—Philip Hyder

Assistant Examiner—RoseLynne Cody

(74) *Attorney, Agent, or Firm*—Scott B. Markow; Adan Ayala

(57) **CLAIM**

The ornamental design for a power tool box, as shown and described.

DESCRIPTION

FIG. 1 is a perspective view of the power tool box.

FIG. 2 is a front view thereof.

FIG. 3 is a back view thereof.

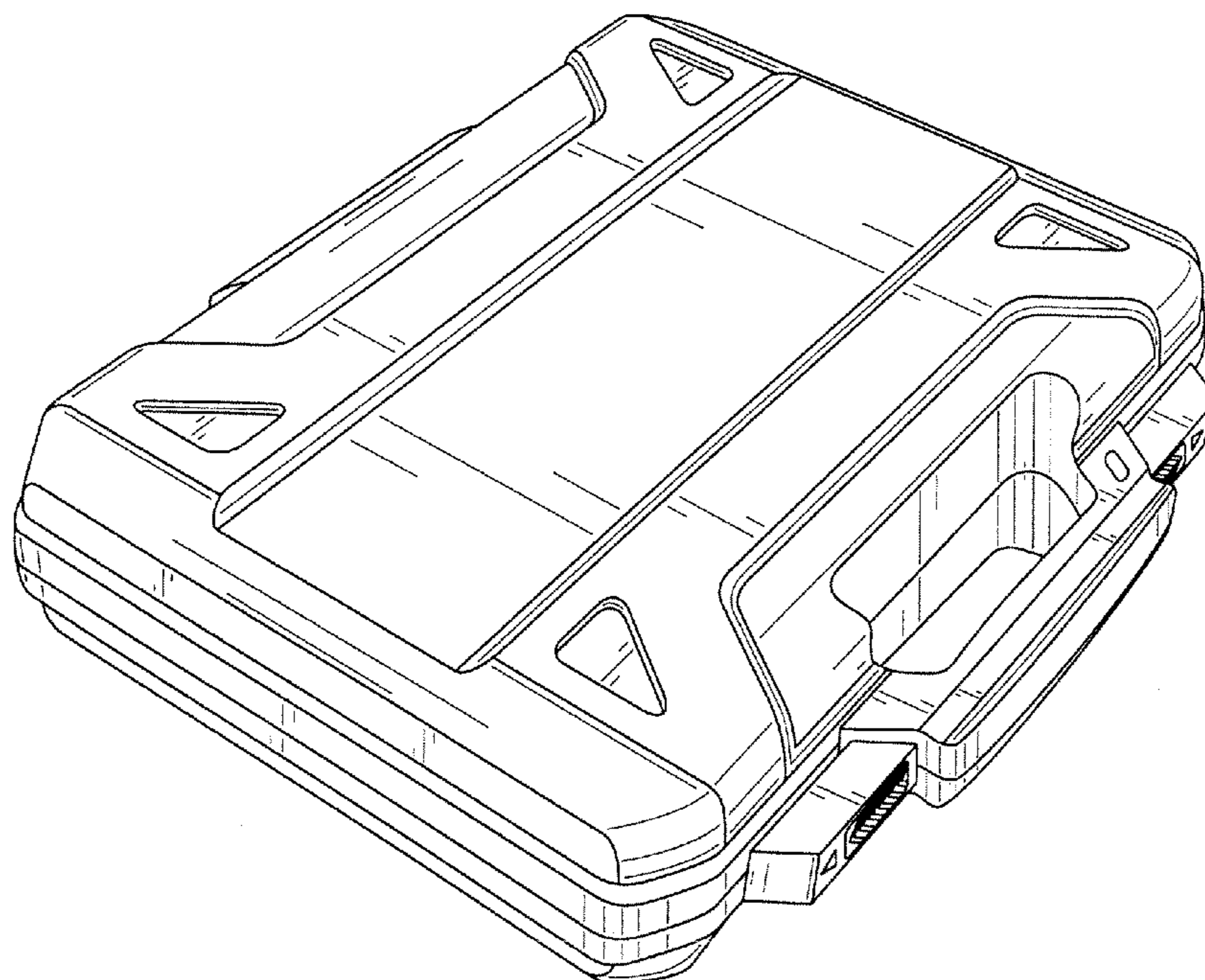
FIG. 4 is a top view thereof.

FIG. 5 is a bottom view thereof.

FIG. 6 is a left view thereof; and,

FIG. 7 is a right view thereof.

1 Claim, 5 Drawing Sheets



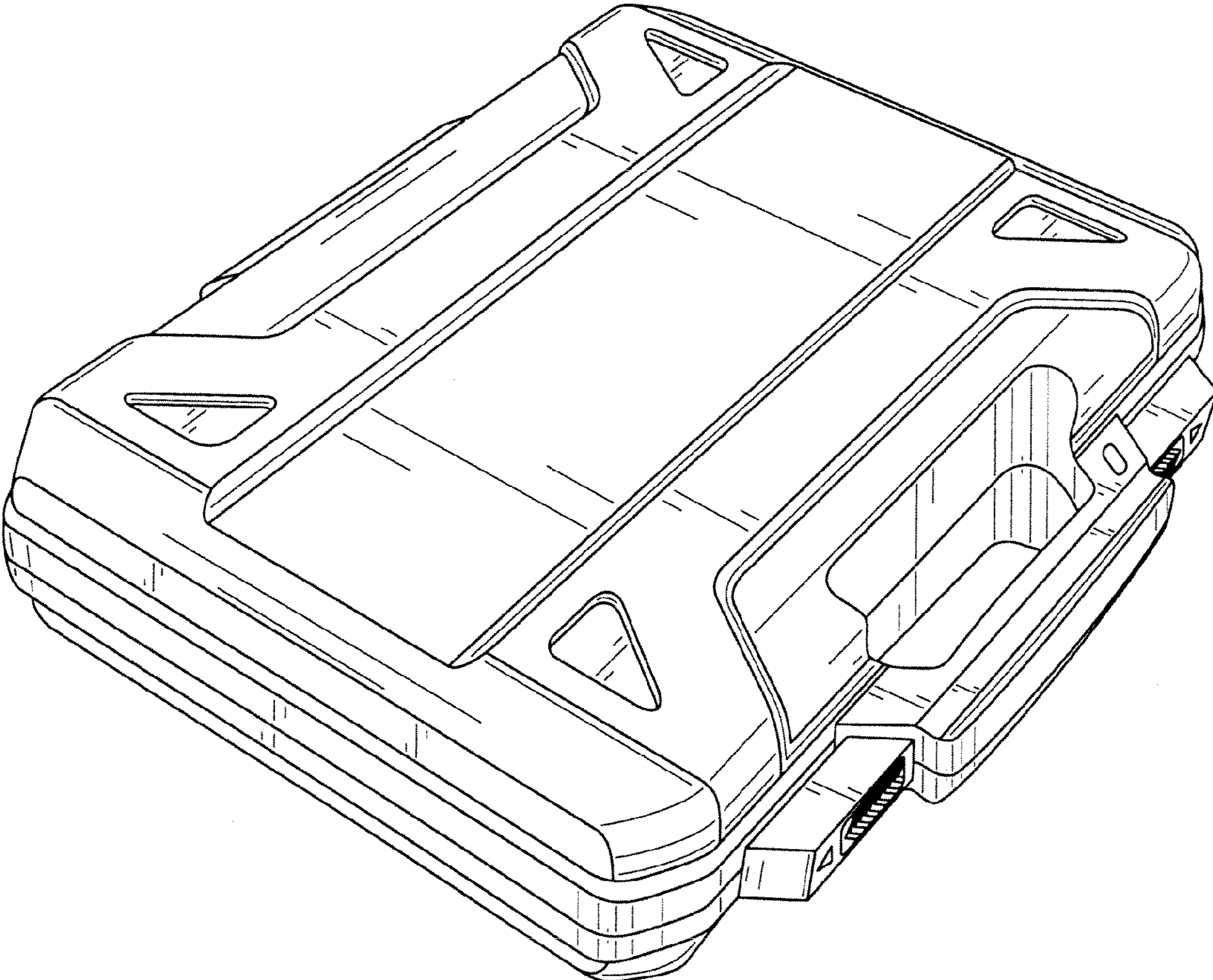


FIG. 1

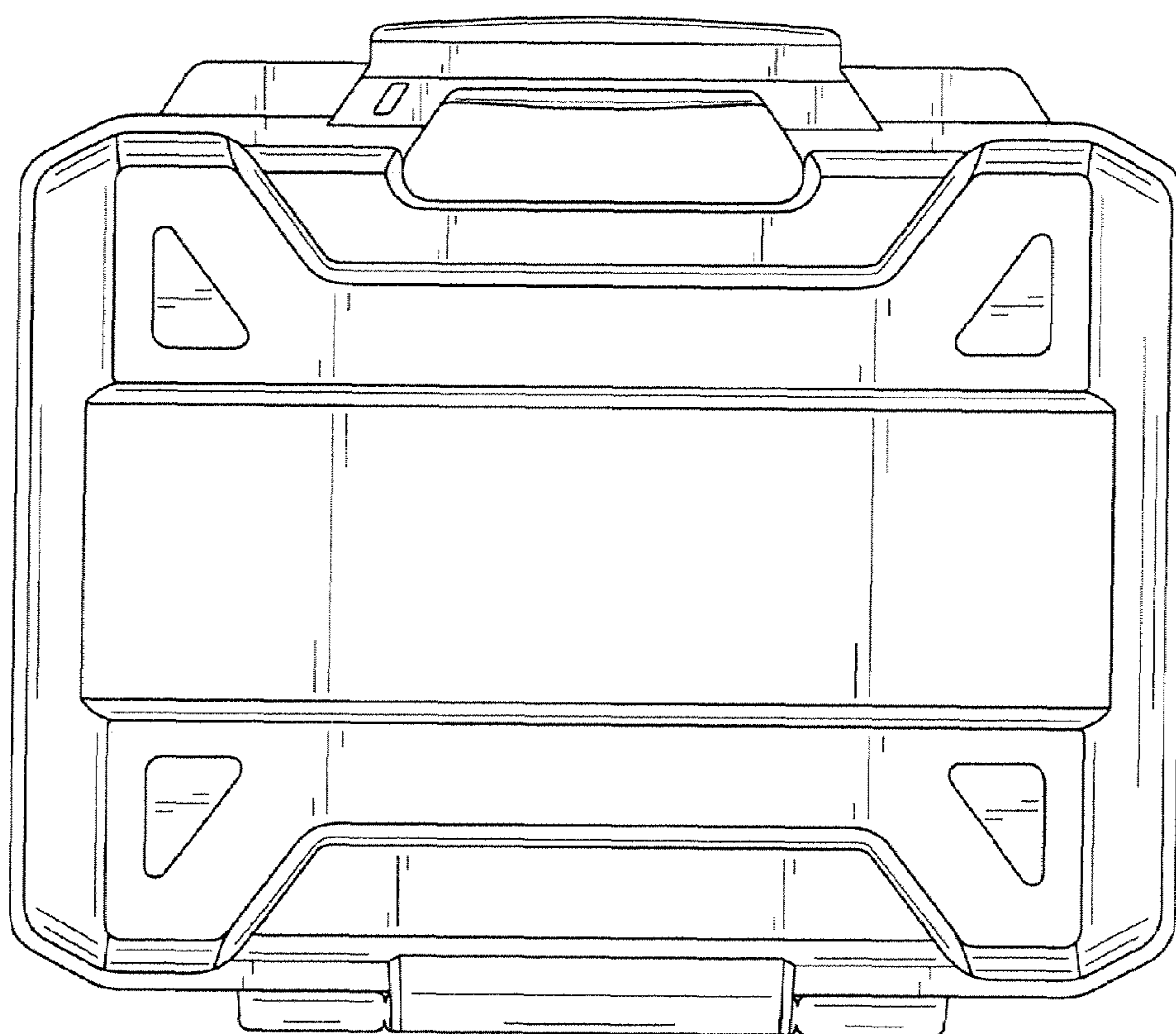


FIG. 2

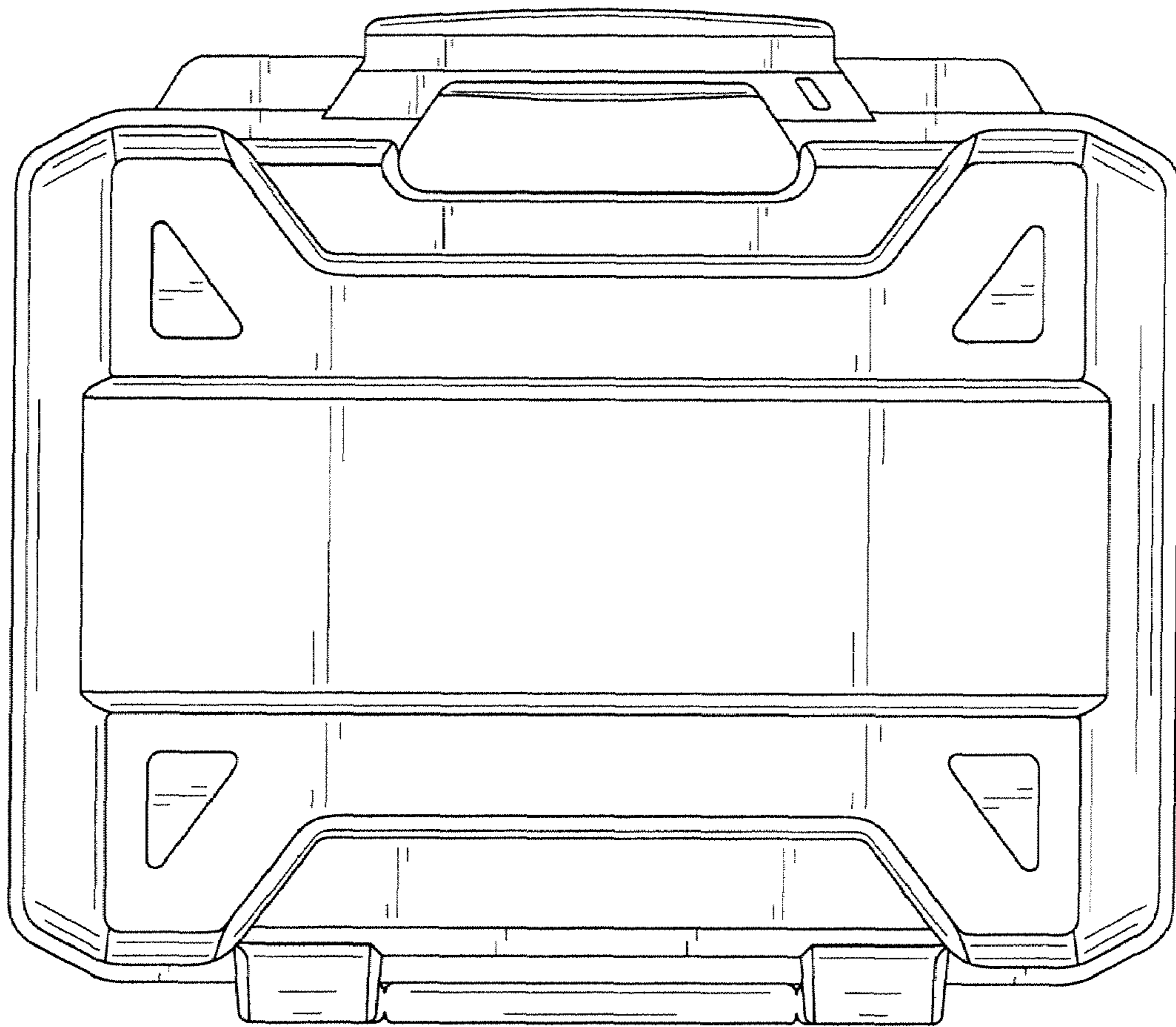


FIG. 3

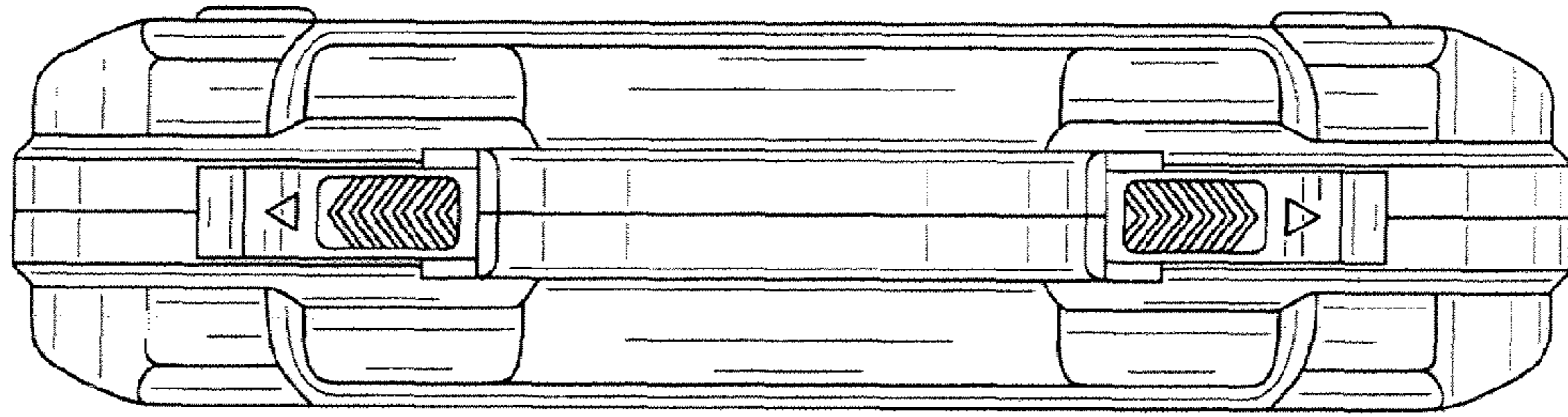


FIG. 4

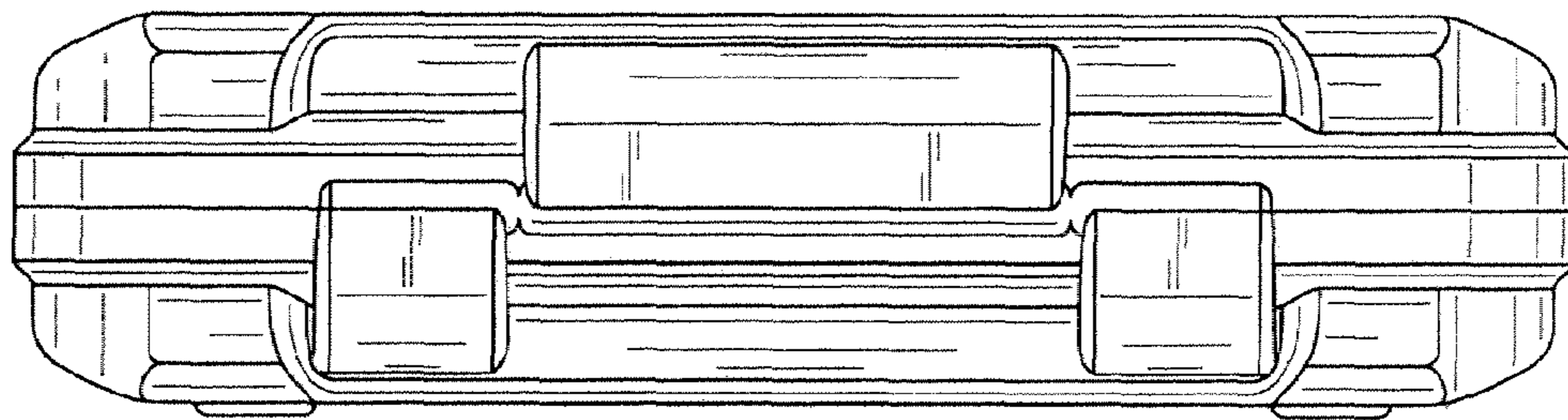


FIG. 5

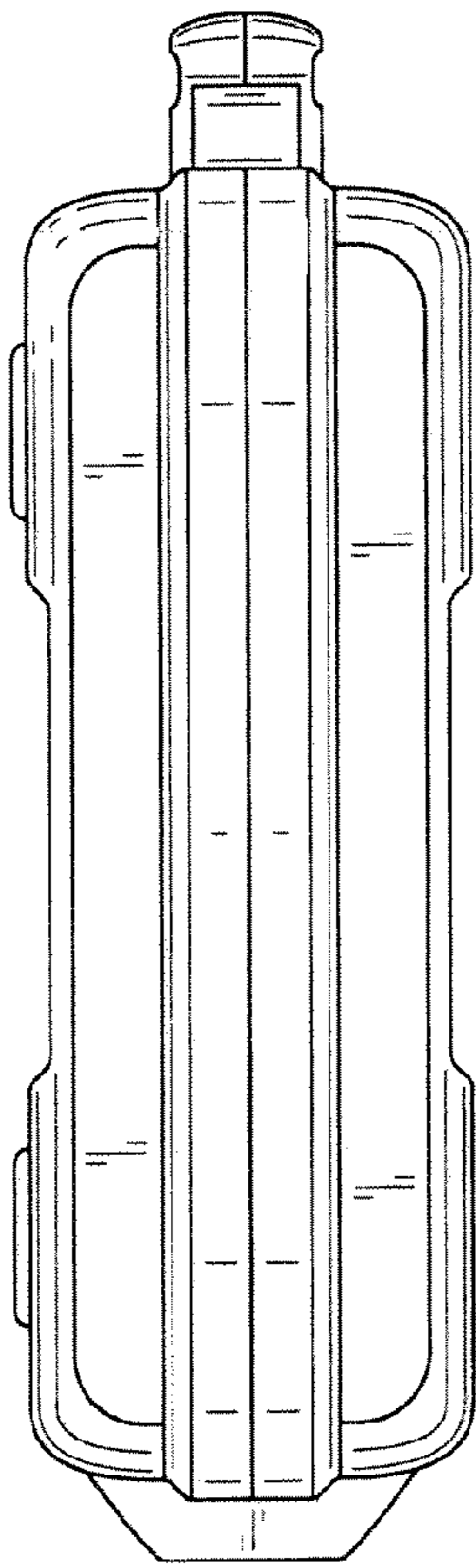


FIG. 6

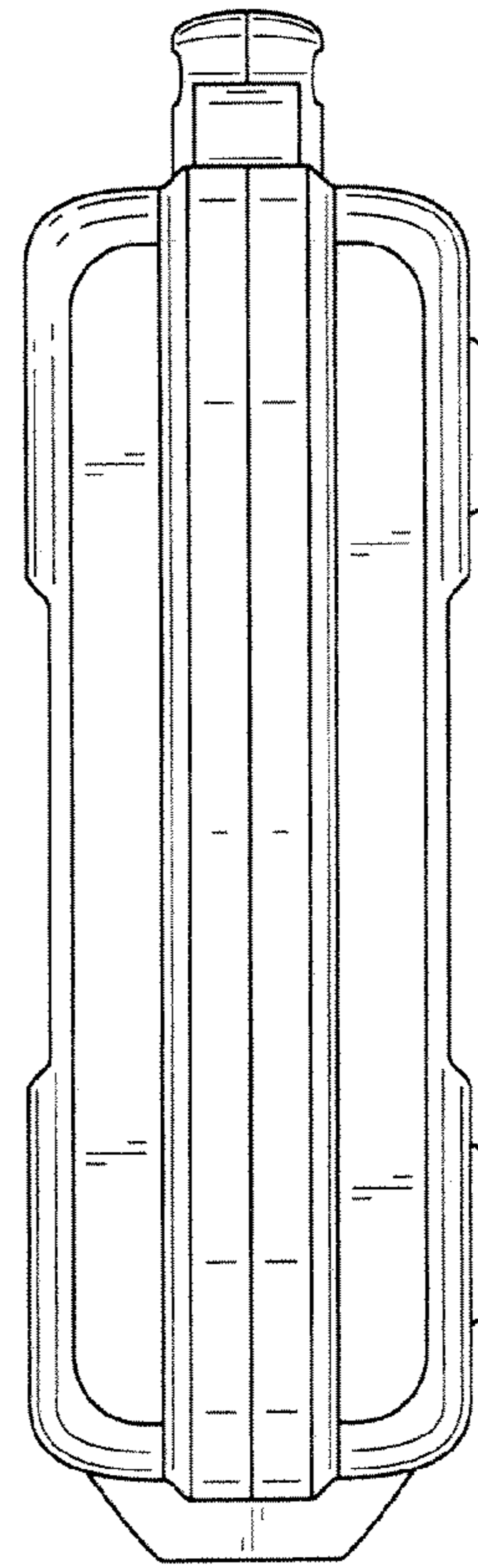


FIG. 7