



US00D572470S

(12) **United States Design Patent**  
**Orietti Carella**

(10) **Patent No.:** **US D572,470 S**  
(45) **Date of Patent:** **\*\* Jul. 8, 2008**

(54) **BAG**  
(76) Inventor: **Mauro Maria Orietti Carella**, Via  
Durini, 25, 1-20122 Milano (IT)  
(\*\*) Term: **14 Years**

D426,060 S \* 6/2000 Chapelier ..... D3/303  
D531,405 S \* 11/2006 Tortorella ..... D3/246  
D533,716 S \* 12/2006 Brocart ..... D3/246  
D543,028 S \* 5/2007 Dumas ..... D3/246  
D545,566 S \* 7/2007 Guyon et al. .... D3/233

(21) Appl. No.: **29/275,575**  
(22) Filed: **Dec. 29, 2006**

\* cited by examiner

*Primary Examiner*—Louis S Zarfaz  
*Assistant Examiner*—Michelle E Wilson  
(74) *Attorney, Agent, or Firm*—Gottlieb, Rackman &  
Reisman, P.C.

**Related U.S. Application Data**

(63) Continuation-in-part of application No. 29/275,265,  
filed on Dec. 19, 2006, now abandoned.

(57) **CLAIM**

I claim the design for a bag, as shown and described.

(51) **LOC (8) Cl.** ..... **03-01**  
(52) **U.S. Cl.** ..... **D3/232**  
(58) **Field of Classification Search** ..... D3/201,  
D3/205, 230, 231, 233, 247, 251, 232, 234,  
D3/238, 240–246, 303, 318–326, 900, 902;  
150/100, 107–110, 118–120; 190/100, 108–112,  
190/115, 900, 902–903  
See application file for complete search history.

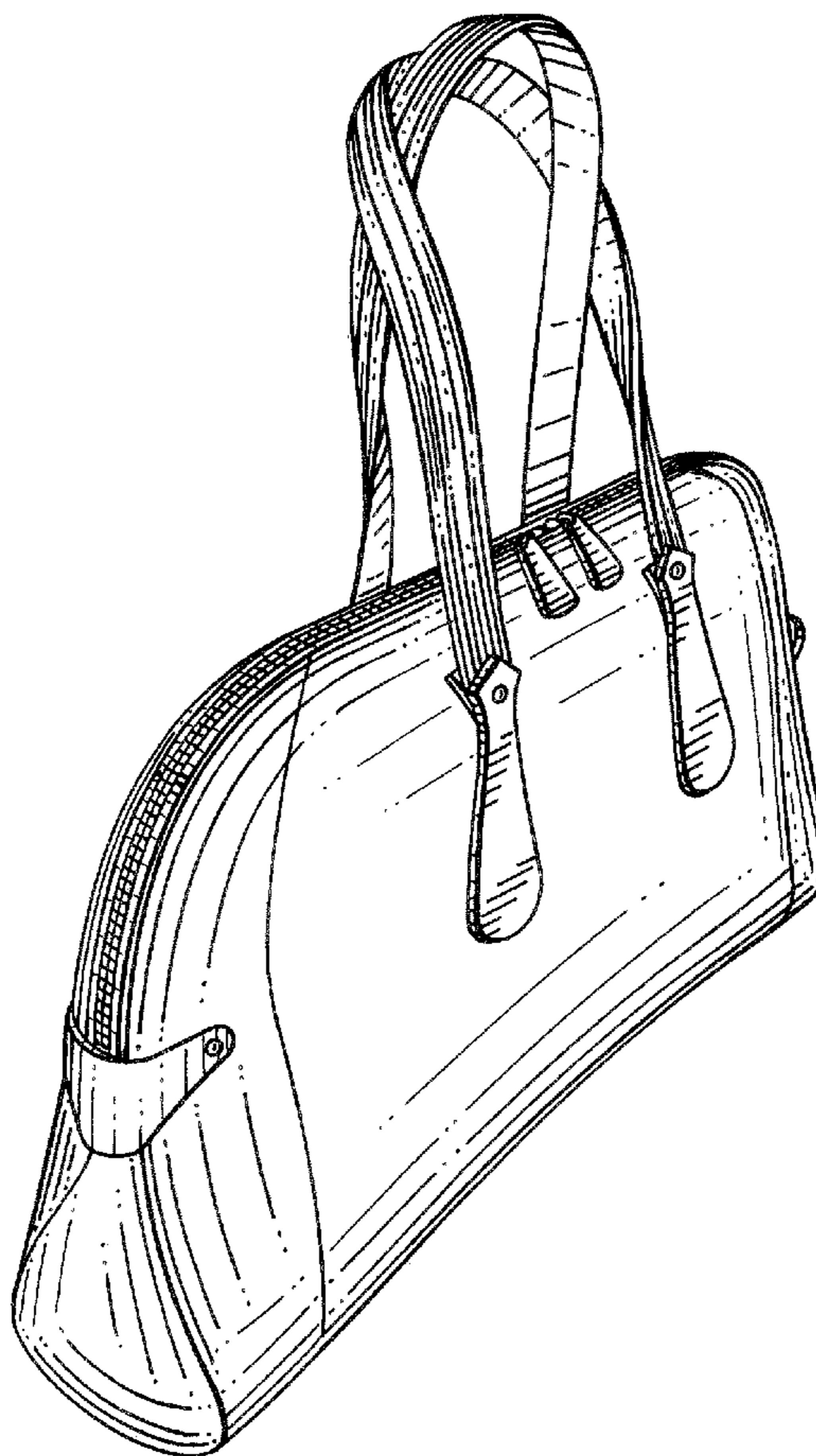
**DESCRIPTION**

FIG. 1 is a perspective view showing my new design;  
FIG. 2 is a front view thereof, the back being a mirror image;  
FIG. 3 is a bottom view thereof;  
FIG. 4 is a top view thereof; and,  
FIG. 5 is a left side view thereof, the right side being a mirror  
image.

(56) **References Cited**  
**U.S. PATENT DOCUMENTS**

D115,063 S \* 5/1939 Cohen ..... D3/246

**1 Claim, 4 Drawing Sheets**



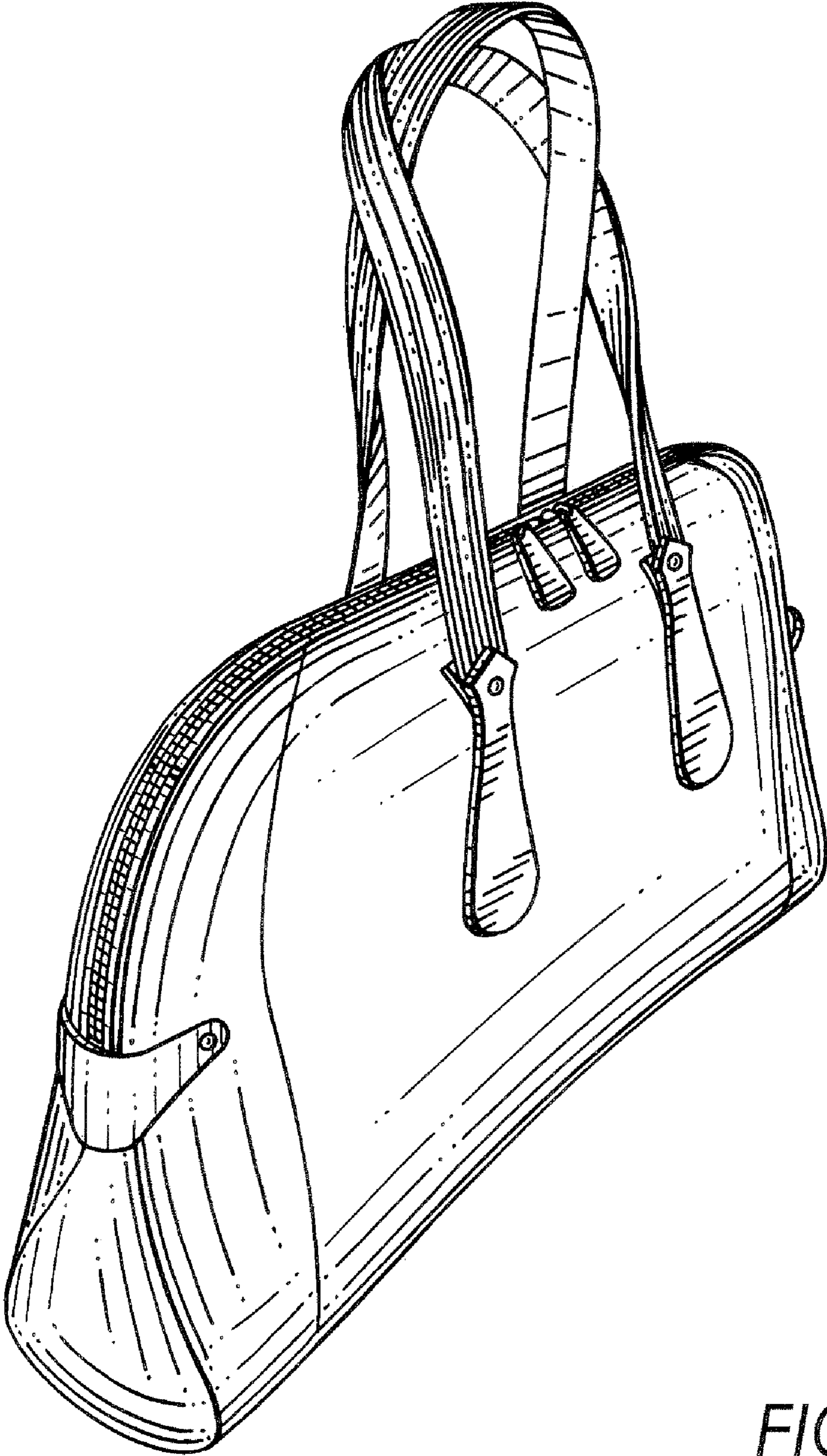


FIG. 1

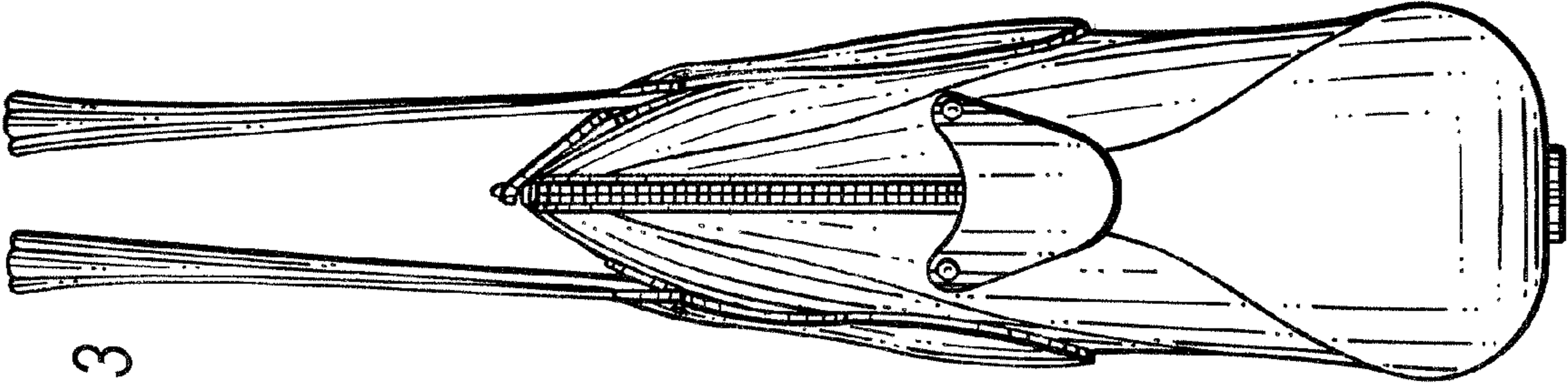


FIG. 3

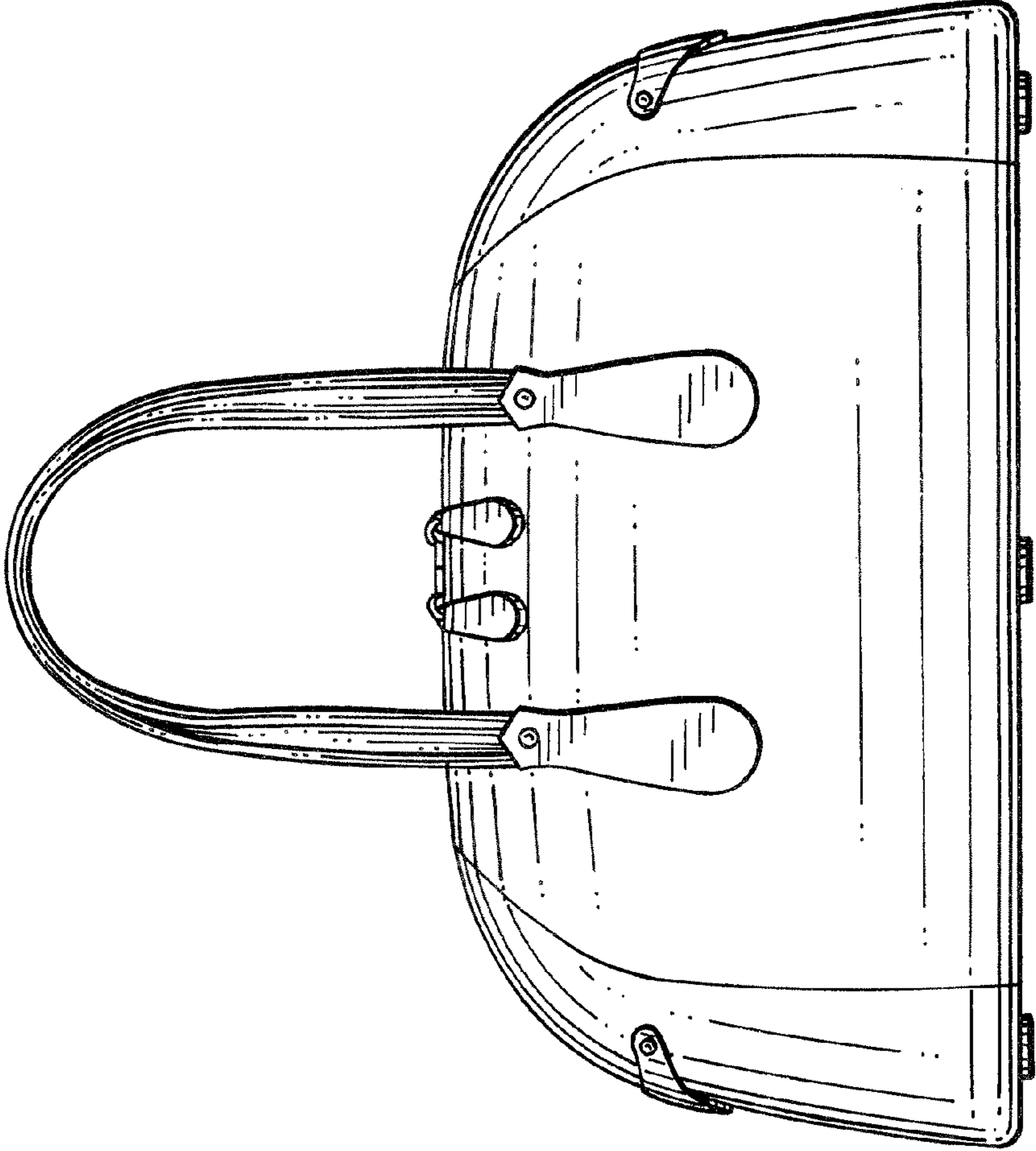


FIG. 2

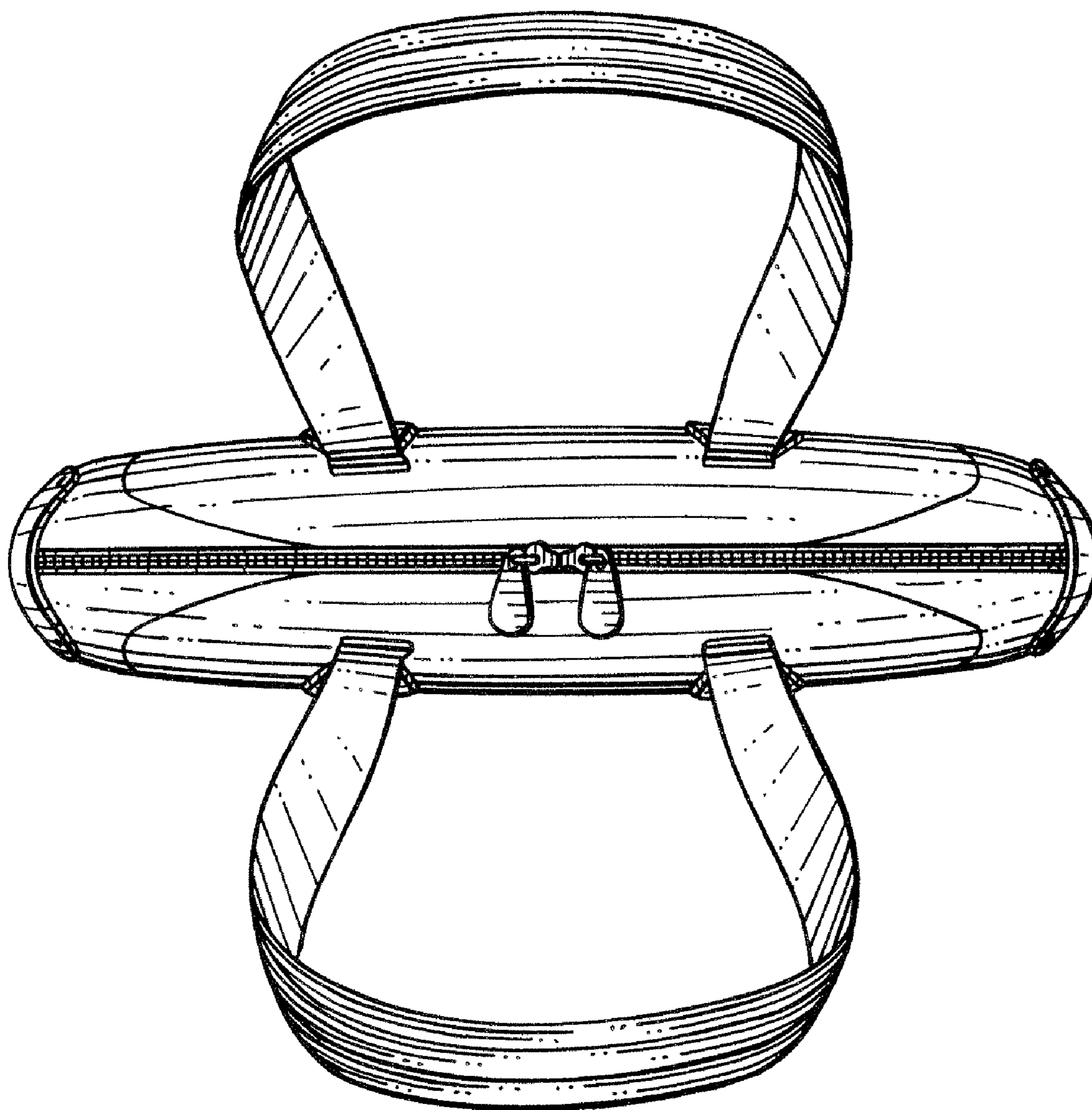


FIG. 4

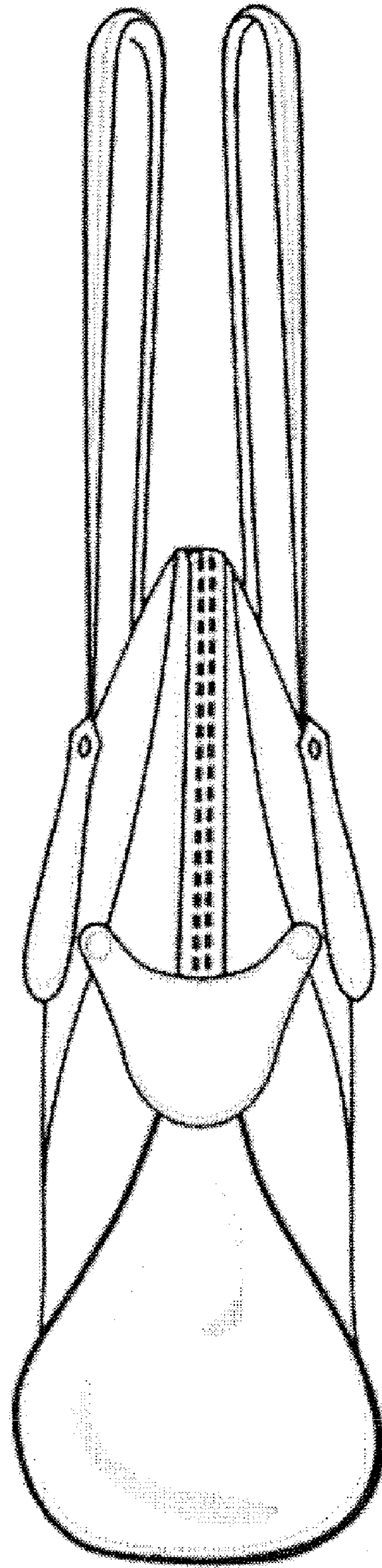


FIG. 5