



US00D572465S

(12) **United States Design Patent**
Beck

(10) **Patent No.:** **US D572,465 S**

(45) **Date of Patent:** **** *Jul. 8, 2008**

(54) **WRITING BOARD FOR ATTACHMENT TO ARM**

(76) Inventor: **Jason Beck**, 7295 W. Softwind Dr., Peoria, AZ (US) 85383

(*) Notice: This patent is subject to a terminal disclaimer.

(**) Term: **14 Years**

(21) Appl. No.: **29/263,057**

(22) Filed: **Jul. 14, 2006**

(51) **LOC (8) Cl.** **03-01**

(52) **U.S. Cl.** **D3/215**

(58) **Field of Classification Search** D3/215,
D3/228; 224/219, 222, 267, 627, 165, 176;
108/43

See application file for complete search history.

(56) **References Cited**

U.S. PATENT DOCUMENTS

1,968,767	A	7/1934	Howard	224/674
3,743,147	A	7/1973	Wilczynski	224/199
4,266,300	A	5/1981	Partridge	2/247
4,605,335	A	8/1986	Otrusina	383/37
4,923,105	A	5/1990	Snyder	224/225
5,054,127	A	10/1991	Zevchak	2/247
5,063,614	A	11/1991	McSheffery	2/94
5,215,379	A	6/1993	Pickard et al.	383/37
5,259,093	A	11/1993	D'Annunzio	24/3 R
5,465,425	A	11/1995	Crispin	2/102
5,604,958	A	2/1997	Anscher	24/3.1
5,615,817	A *	4/1997	Shevers, Jr.	224/267
6,520,394	B2 *	2/2003	Ulibarri	224/222
6,530,509	B1 *	3/2003	Davis	224/219
2003/0213822	A1 *	11/2003	Lautner	224/221

2005/0040194 A1* 2/2005 Frye et al. 224/219

OTHER PUBLICATIONS

“Armed Mounted Index Card Scabbard”, David Seah, Nov. 20, 2006, printed from <http://davidseah.com/archives/2006/11/20/arm-mounted-index-card-scabbard/>. (10 pages).

“The Power of Paper”, Samantha Henig, Newsweek Mar. 19, 2007, printed from <http://www.msnbc.msn.com/id/17522664/site/newsweek/>. (4 pages).

“Cutters Wrist Coach”, SportsDepot.com, printed Oct. 5, 2007 from <http://www.sportsdepot.com/cgi-bin/commerce.cgi?preadd=action&key=197>. (2 pages).

* cited by examiner

Primary Examiner—Catherine R. Oliver

(74) *Attorney, Agent, or Firm*—Snell & Wilmer L.L.P.

(57) **CLAIM**

The ornamental design for a writing board for attachment to arm, as shown and described.

DESCRIPTION

FIG. 1 is a perspective view of a writing board showing my new ornamental design;

FIG. 2 is a front view of the board shown in FIG. 1;

FIG. 3 is a rear view of the board shown in FIG. 1;

FIG. 4 is a right side view of the board shown in FIG. 1;

FIG. 5 is a left side view of the board shown in FIG. 1;

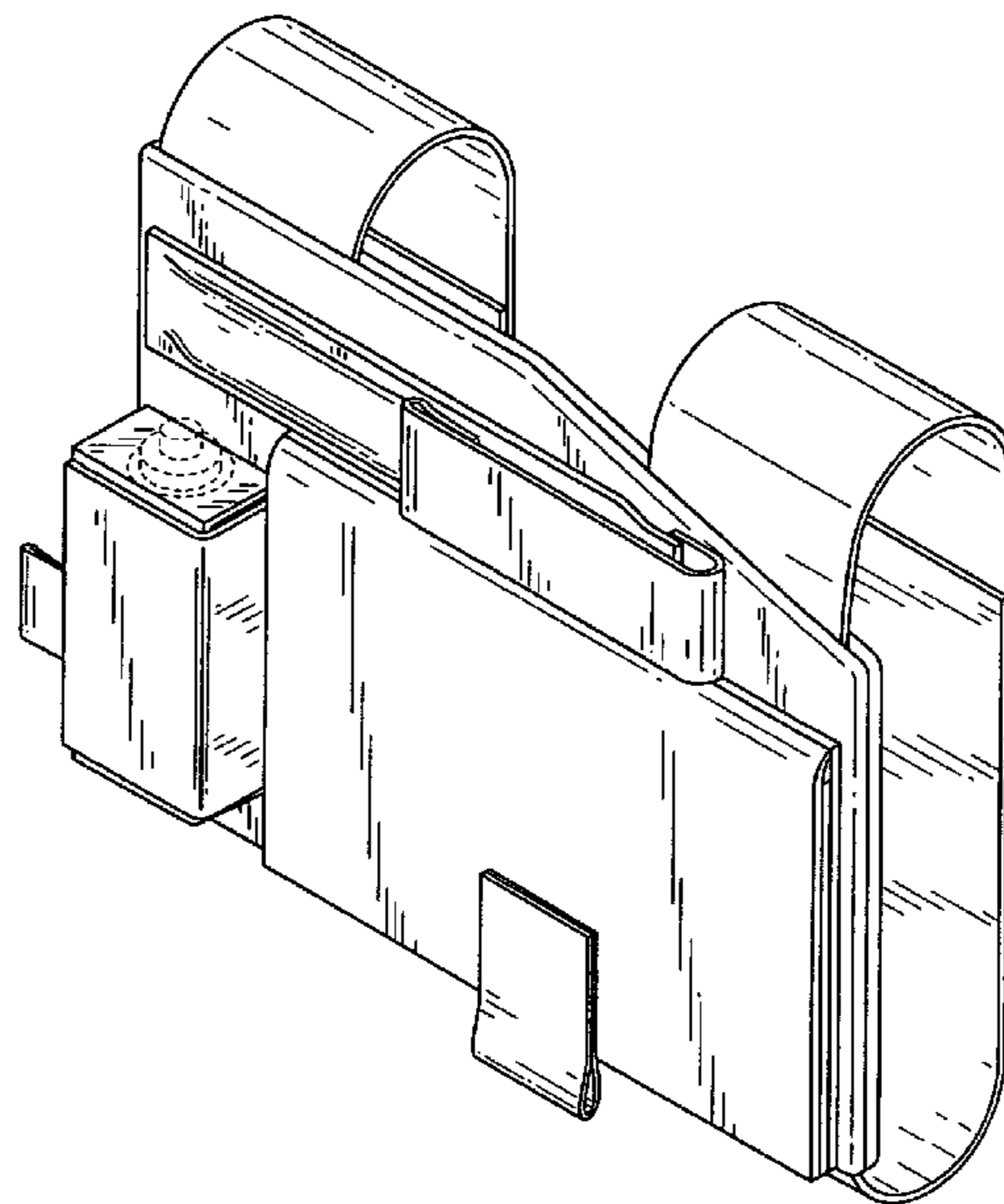
FIG. 6 is a top view of the board shown in FIG. 1;

FIG. 7 is a bottom view of the board shown in FIG. 1; and,

FIG. 8 is a perspective view of the board with a cover flap in a partially open position, the board attached to a user's arm shown in broken lines.

The broken lines are for illustrative purposes only and form no part of the claimed design.

1 Claim, 5 Drawing Sheets



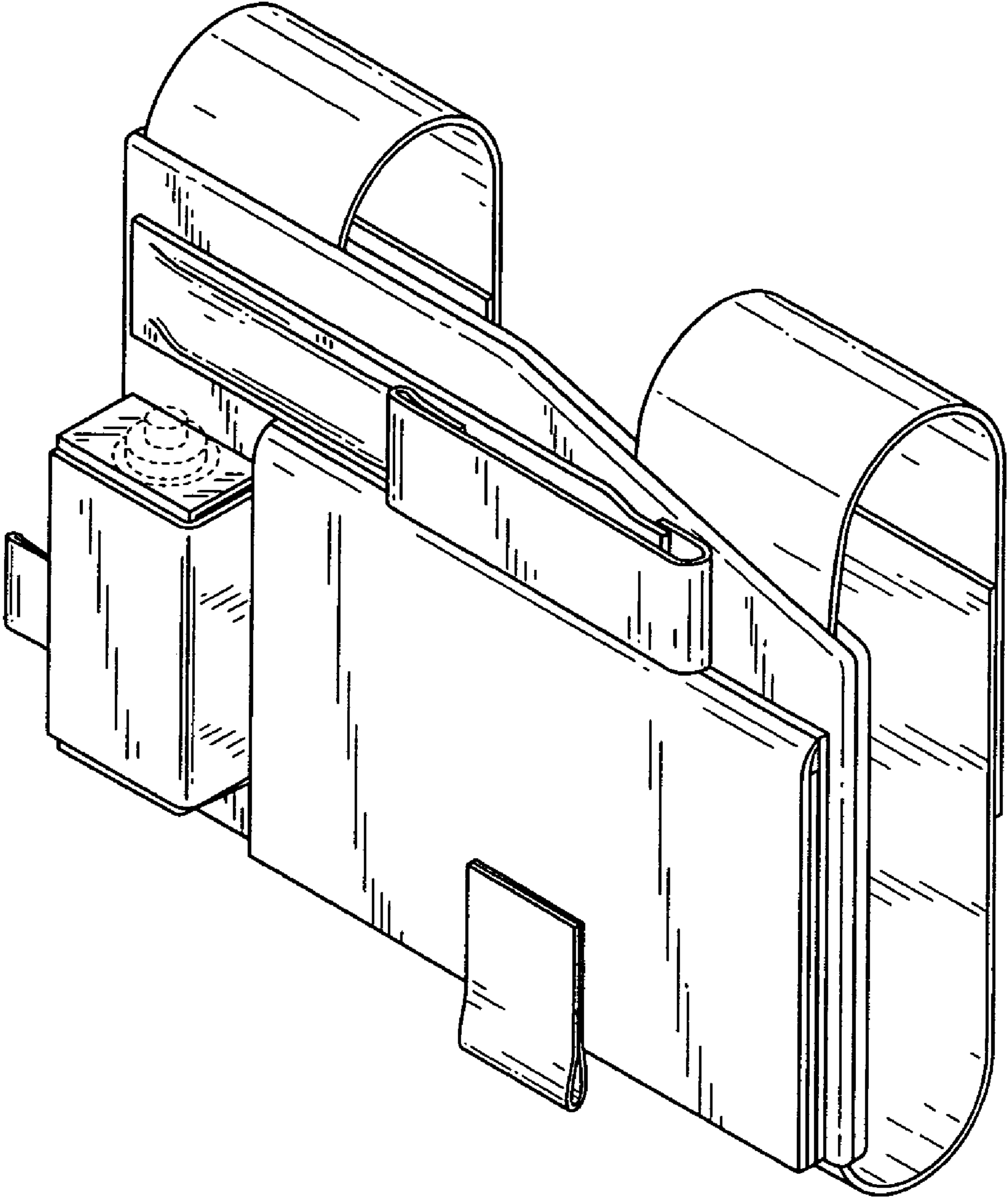


FIG.1

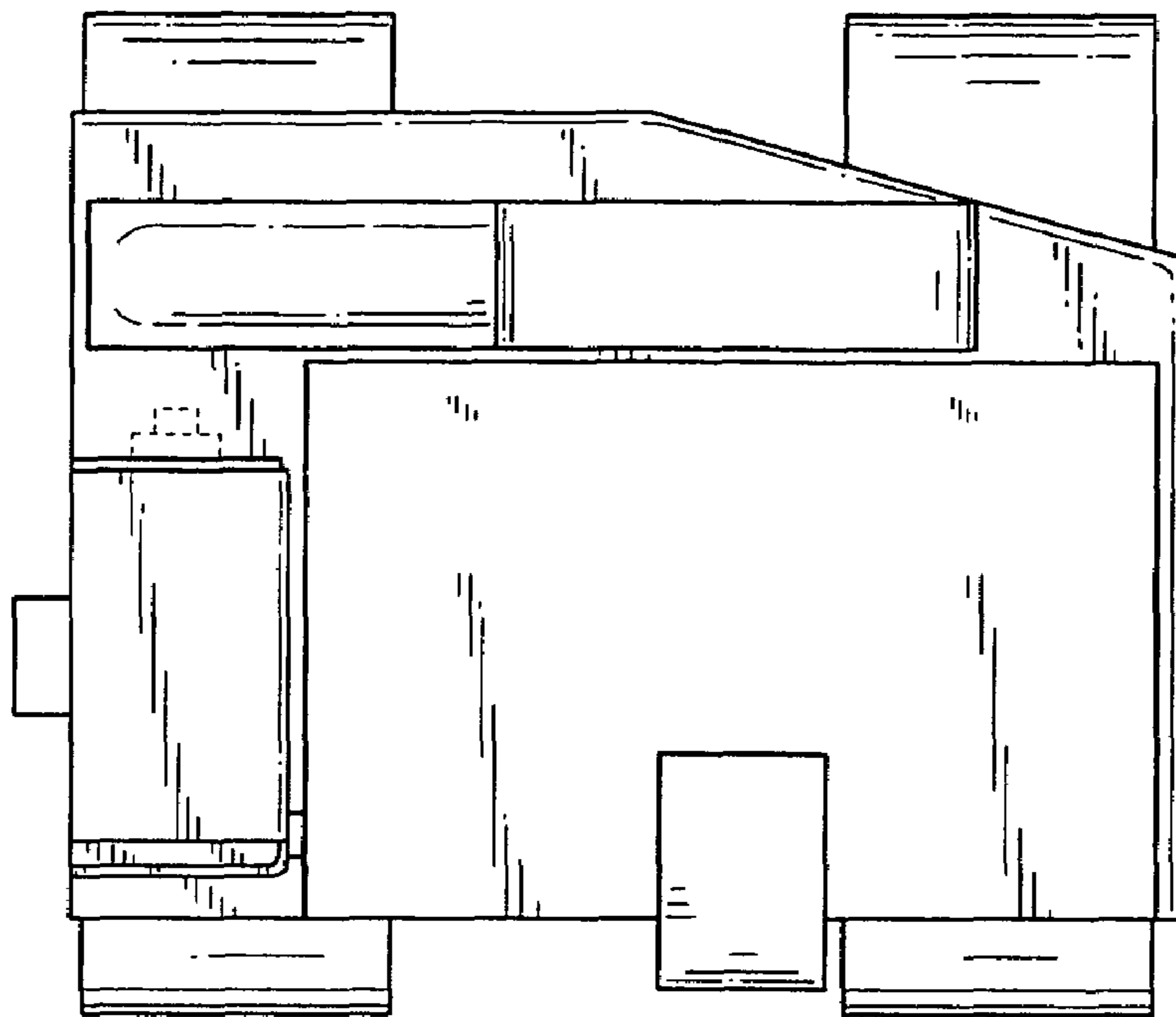


FIG. 2

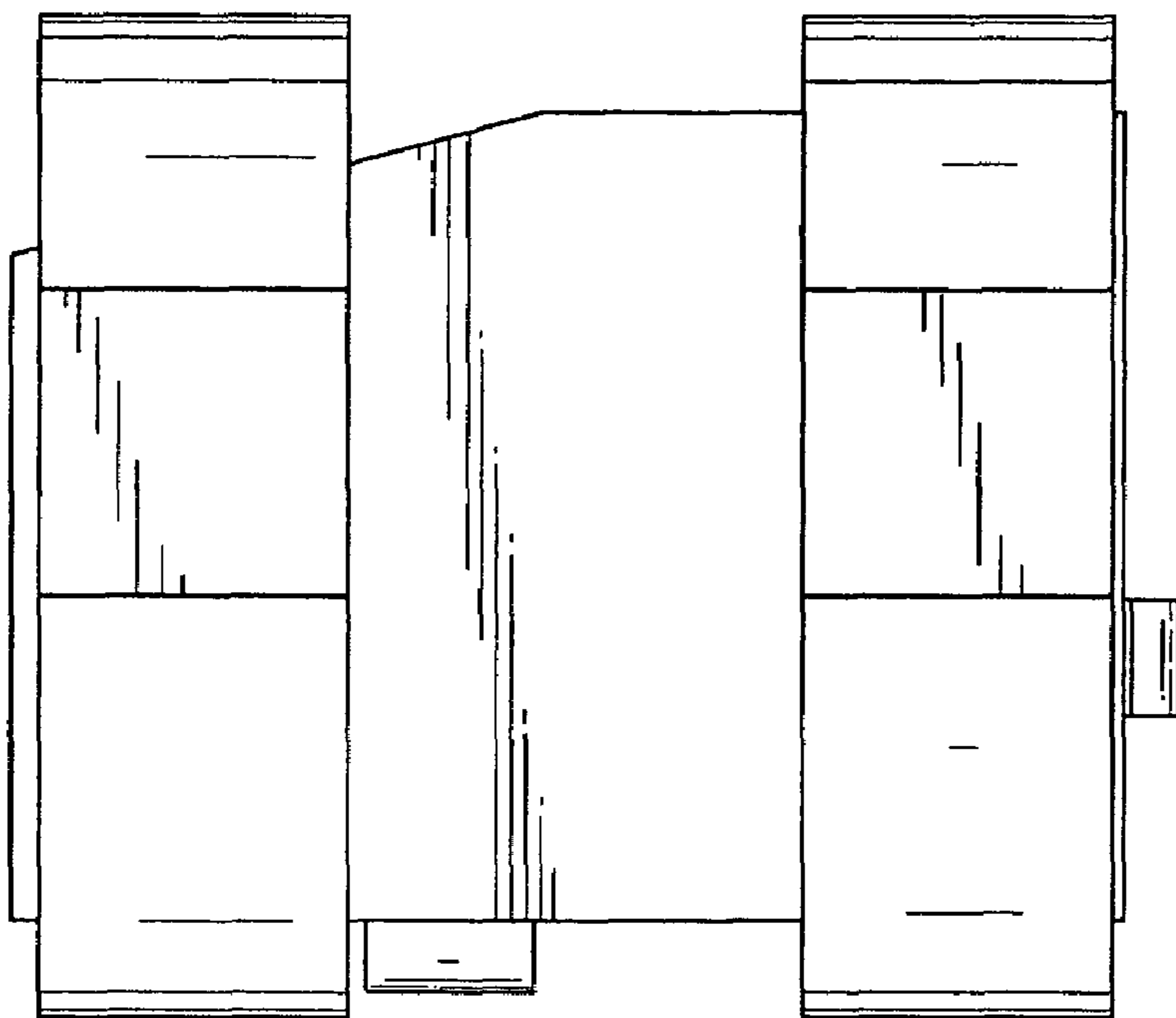


FIG. 3

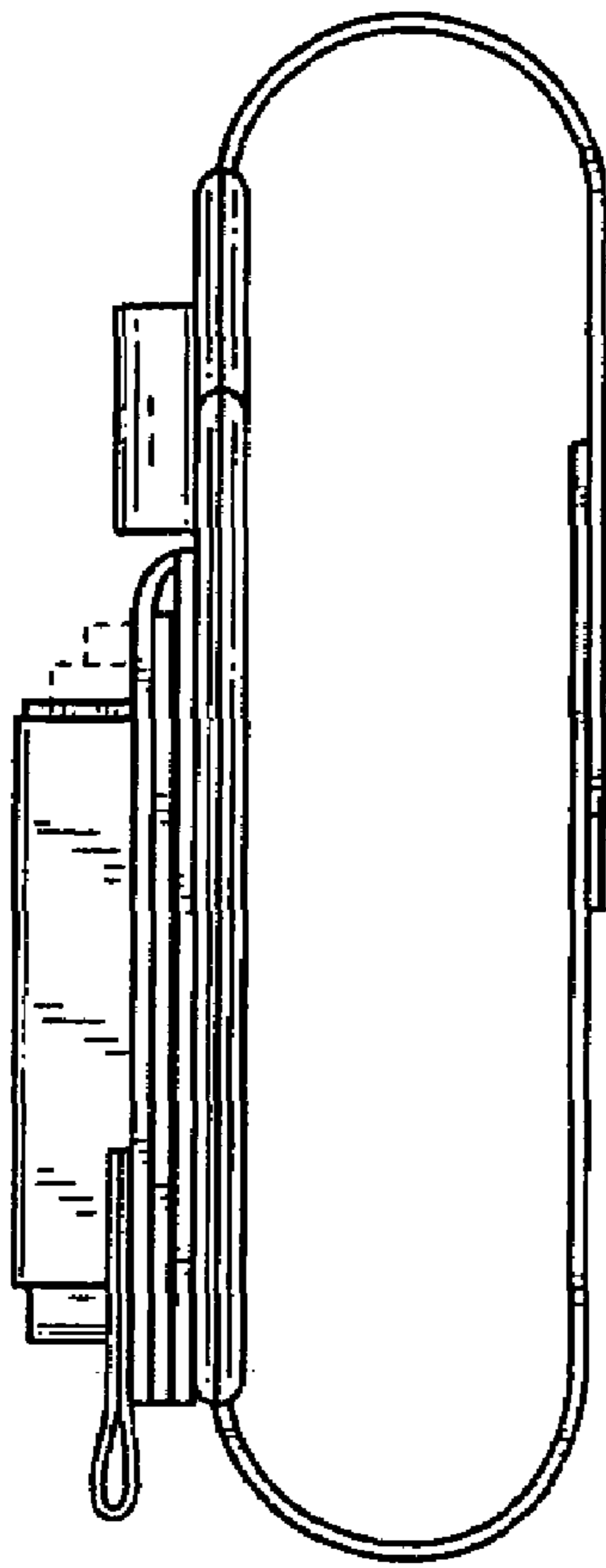


FIG. 4

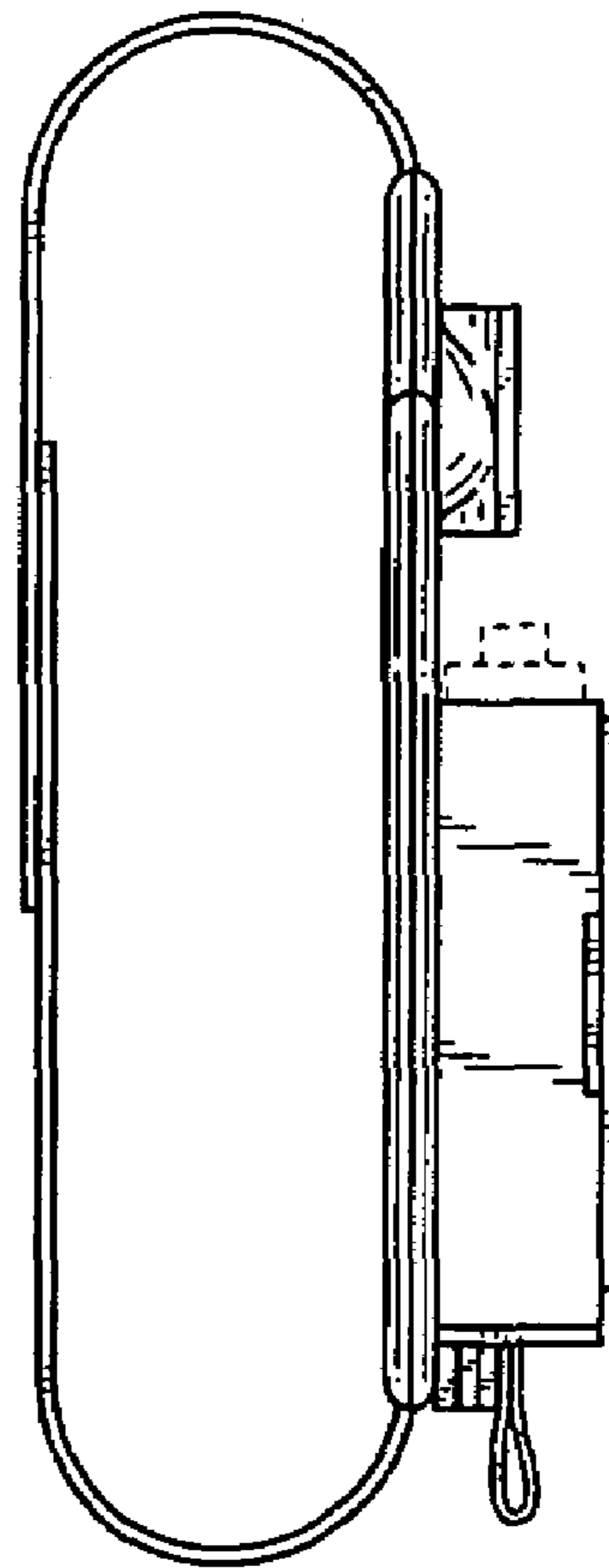


FIG. 5

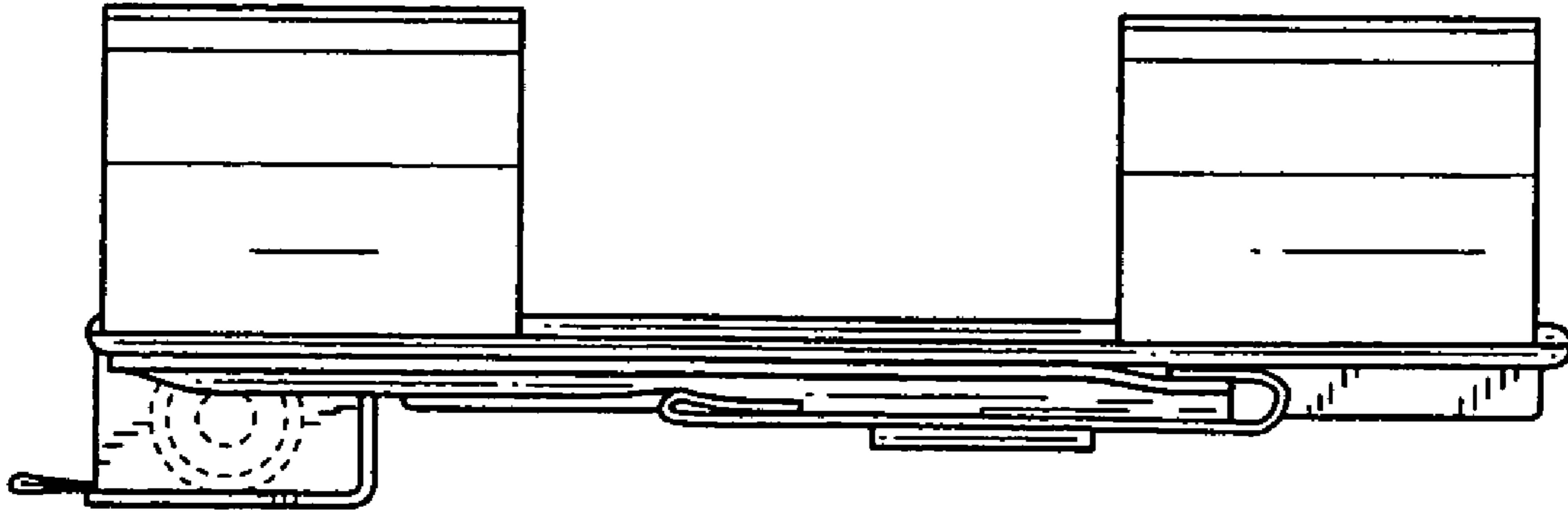


FIG. 6

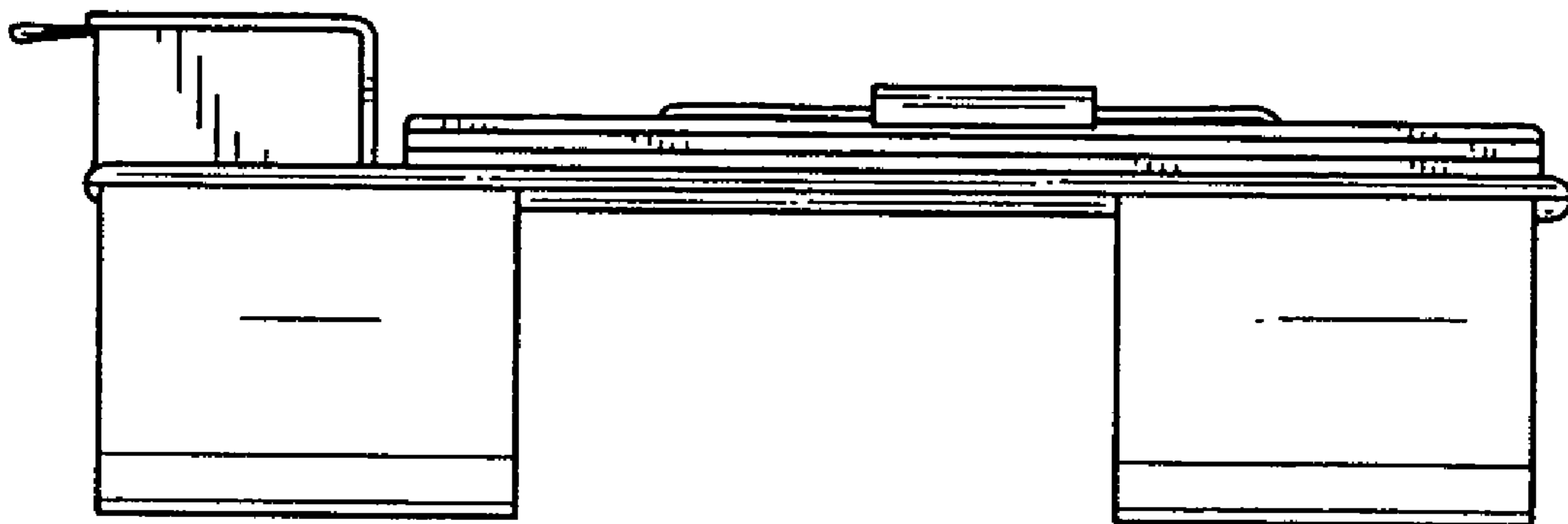


FIG. 7

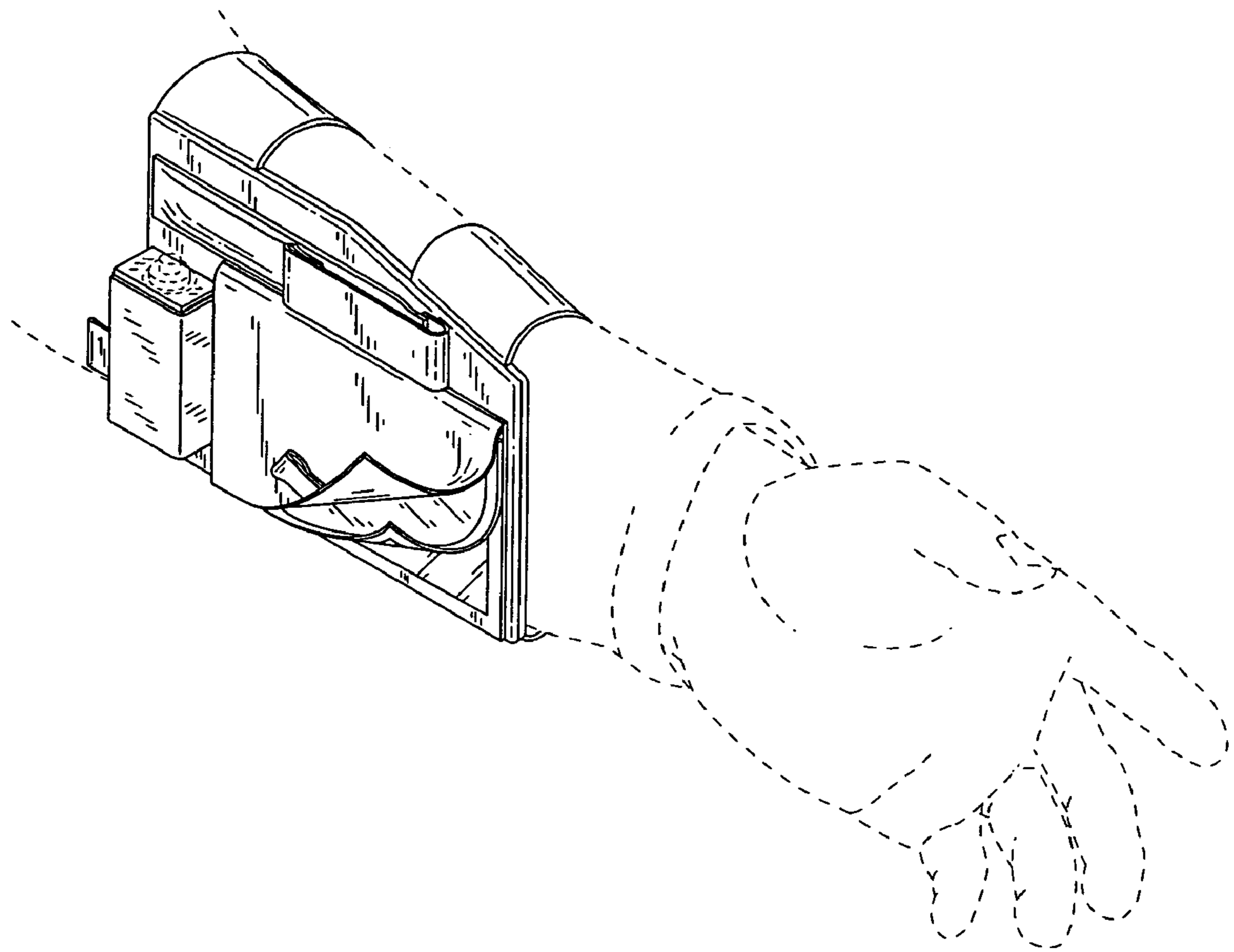


FIG.8