



US00D572464S

(12) **United States Design Patent**
Koshiishi

(10) **Patent No.:** **US D572,464 S**
(45) **Date of Patent:** **** Jul. 8, 2008**

(54) **WALKING ASSISTANCE DEVICE**
(75) Inventor: **Takeshi Koshiishi**, Saitama (JP)
(73) Assignee: **Honda Motor Co., Ltd.**, Tokyo (JP)
(**) Term: **14 Years**
(21) Appl. No.: **29/296,598**
(22) Filed: **Oct. 24, 2007**
(30) **Foreign Application Priority Data**
Apr. 27, 2007 (JP) 2007-011544

D362,506 S * 9/1995 Bieri D24/190
6,666,796 B1 * 12/2003 MacCready, Jr. 135/67
2006/0276728 A1 * 12/2006 Ashihara et al. 135/65

* cited by examiner

Primary Examiner—Louis S Zarfaz

Assistant Examiner—Anhdao Doan

(74) *Attorney, Agent, or Firm*—Westerman, Hattori, Daniels & Adrian, LLP.

(57) **CLAIM**

The ornamental design for a walking assistance device, as shown and described.

(51) **LOC (8) Cl.** **03-03**
(52) **U.S. Cl.** **D3/7**
(58) **Field of Classification Search** D3/5-17;
135/65-76, 77-86; D21/420-422, 578; D24/155,
D24/171, 188; 700/900; 446/294
See application file for complete search history.

DESCRIPTION

FIG. 1 is a first perspective view of a walking assistance device, showing our new design;
FIG. 2 is a second perspective view thereof;
FIG. 3 is a front elevation view thereof;
FIG. 4 is a rear elevation view thereof;
FIG. 5 is a top plan view thereof;
FIG. 6 is a right side elevation view thereof; and,
FIG. 7 is a left side elevation view thereof.

(56) **References Cited**

U.S. PATENT DOCUMENTS

3,165,314 A * 1/1965 Clearman et al. 135/67
3,986,502 A * 10/1976 Gilson 135/68
D329,538 S * 9/1992 Rau D3/9
D349,144 S * 7/1994 Greene D21/775

1 Claim, 6 Drawing Sheets

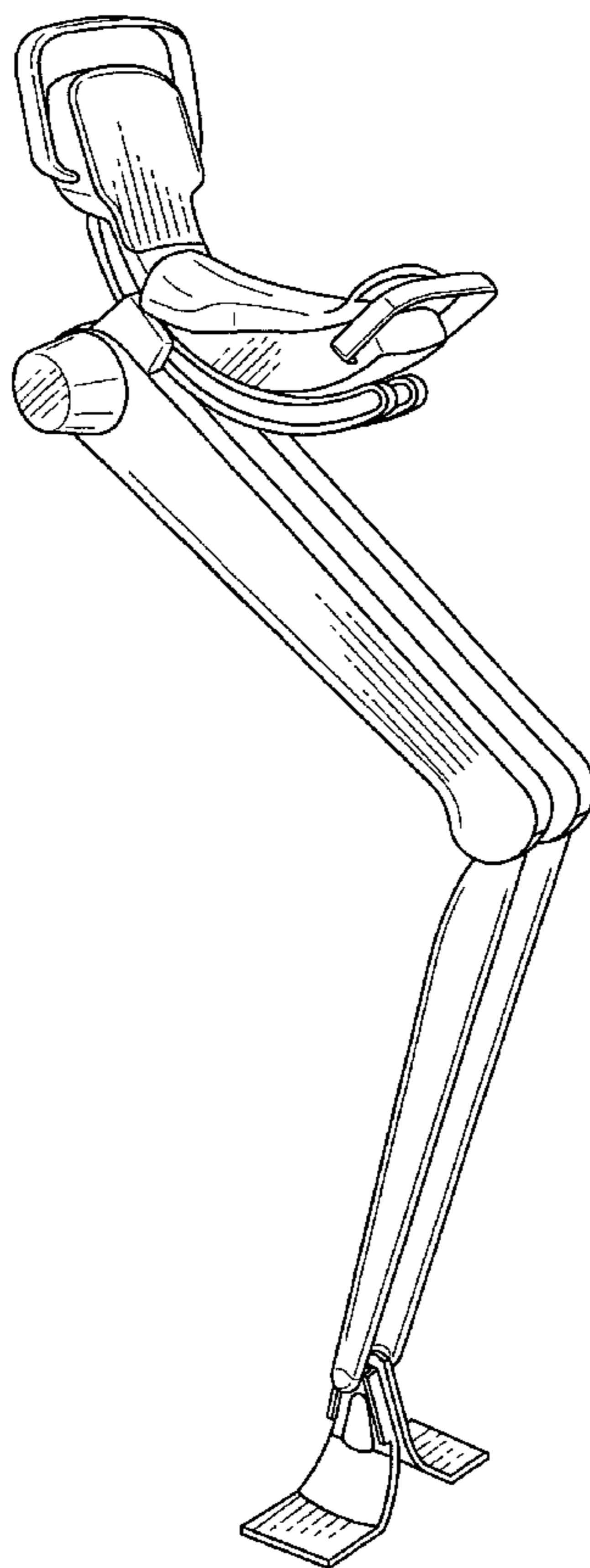


FIG. 1

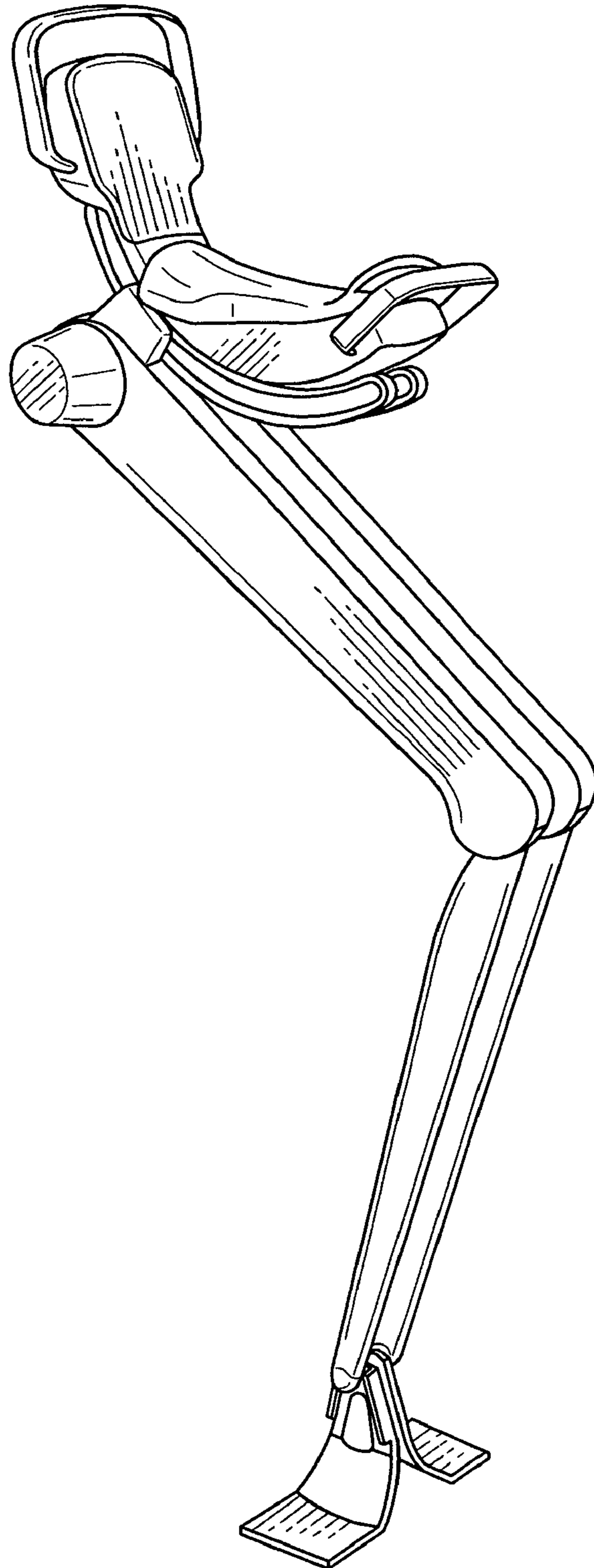


FIG. 2

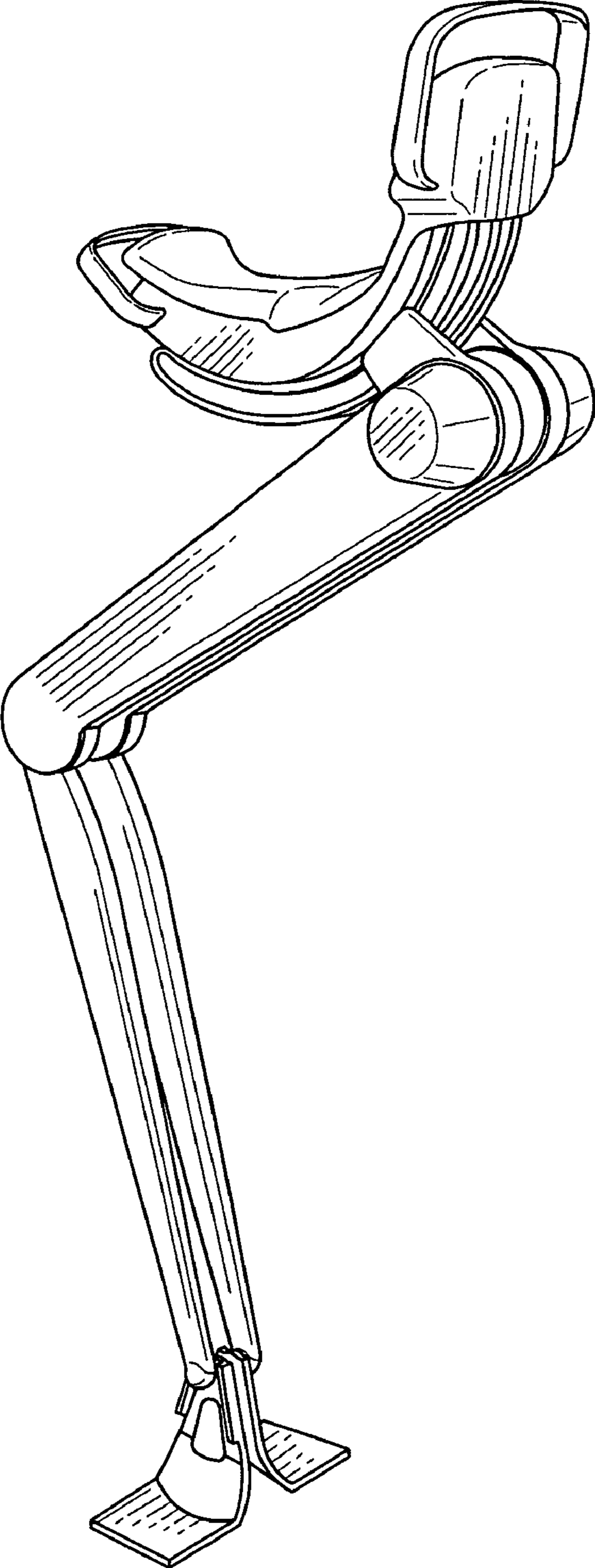


FIG. 3

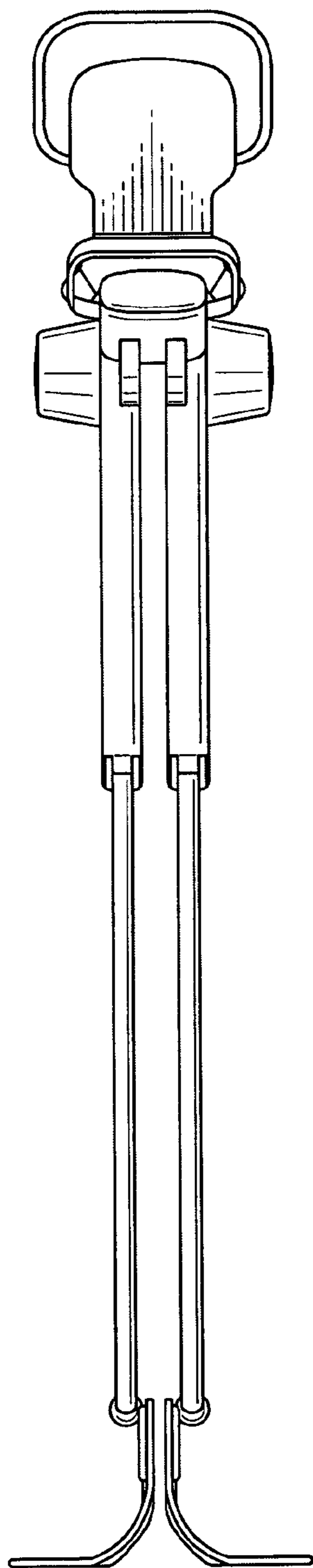


FIG. 4

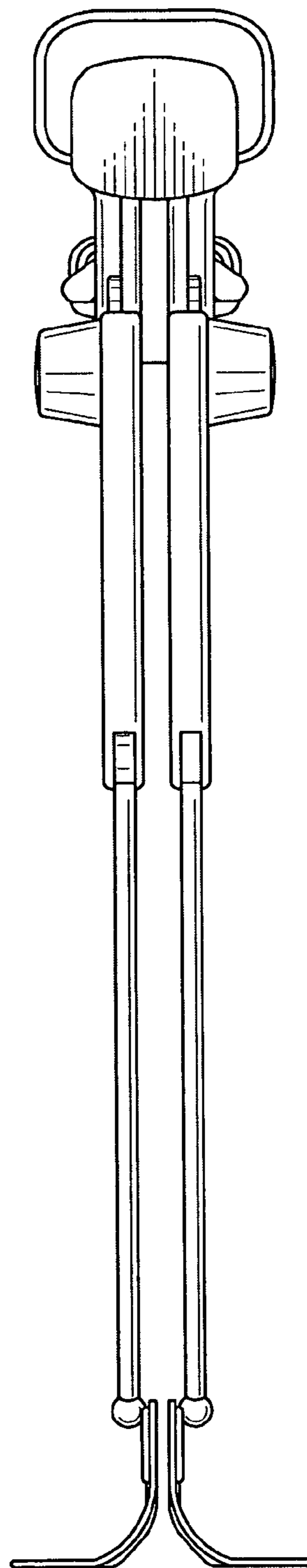


FIG. 5

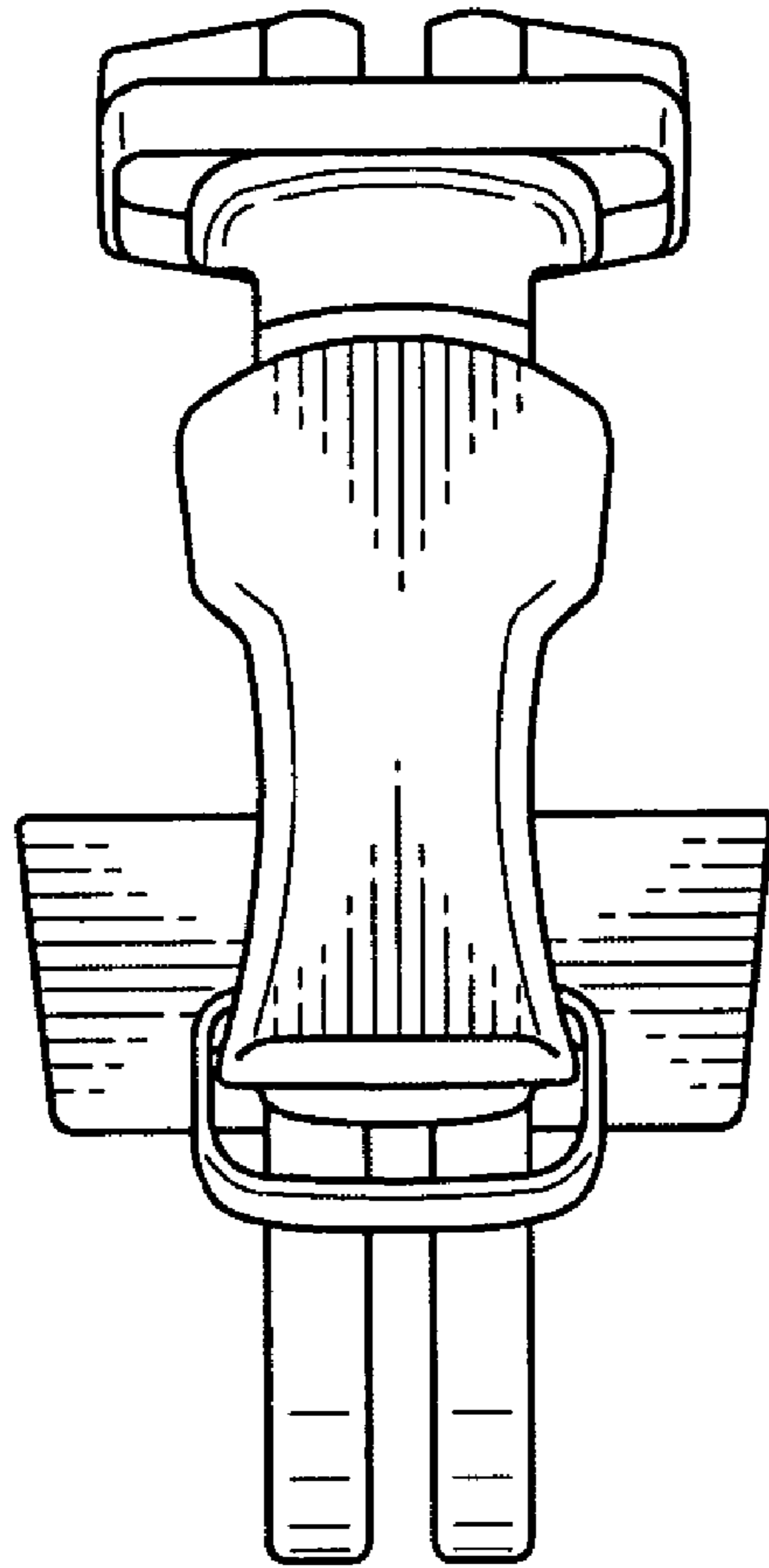


FIG. 6

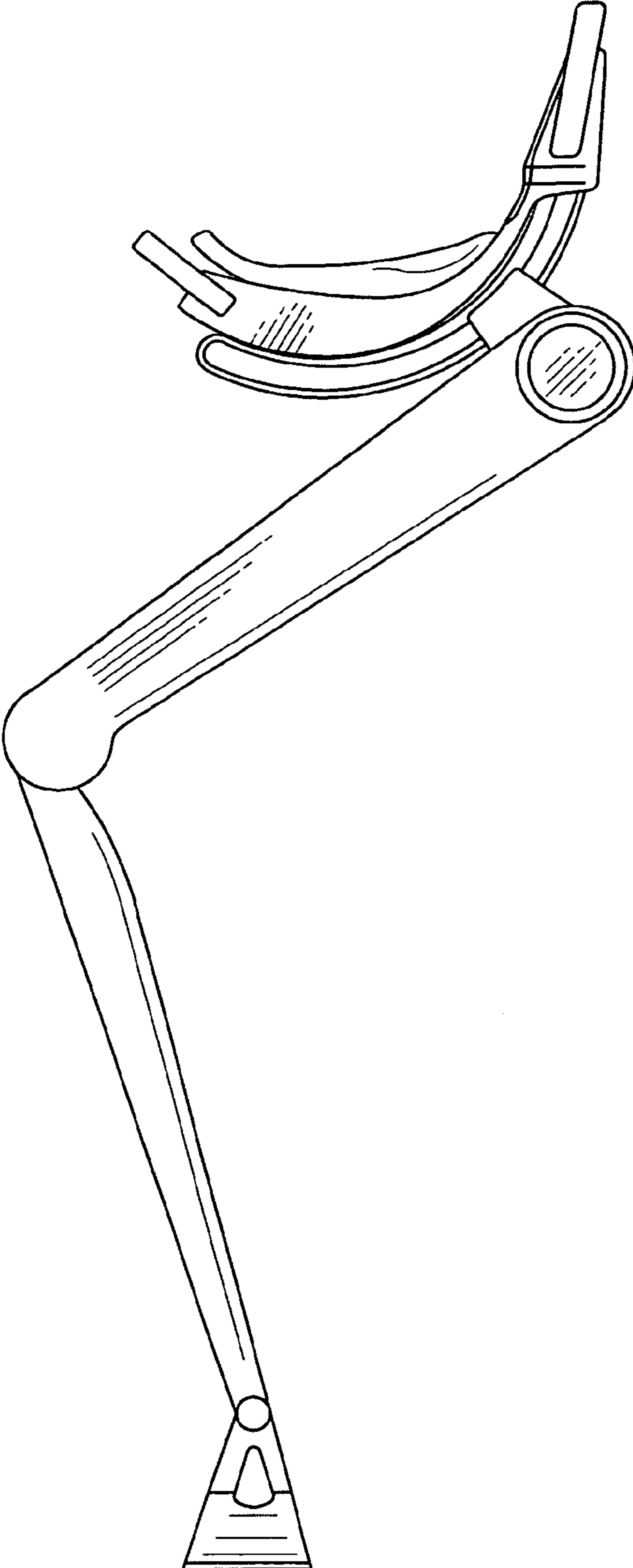


FIG. 7

