



US00D572463S

(12) **United States Design Patent**
Richardson

(10) **Patent No.:** **US D572,463 S**

(45) **Date of Patent:** **** Jul. 8, 2008**

(54) **SUN CANOPY**

(76) **Inventor:** **Geraldine Richardson**, 5454 Seven
Lakes West, West End, NC (US) 27376

(**) **Term:** **14 Years**

(21) **Appl. No.:** **29/236,011**

(22) **Filed:** **Aug. 10, 2005**

(51) **LOC (8) Cl.** **03-03**

(52) **U.S. Cl.** **D3/5**

(58) **Field of Classification Search** D3/5,
D3/13; 135/90, 143; 5/418, 419, 420
See application file for complete search history.

(56) **References Cited**

U.S. PATENT DOCUMENTS

1,746,833	A	2/1930	Hermansen	
2,932,833	A	4/1960	Wambach	
4,082,102	A *	4/1978	Heuer	135/95
4,425,675	A	1/1984	Victor	5/440
4,639,958	A	2/1987	Lerner	5/418
5,116,288	A *	5/1992	Kondo et al.	2/171

D363,597 S * 10/1995 Byrne D3/5
5,515,564 A * 5/1996 Lyons 5/639
5,752,537 A * 5/1998 Kranzler 135/128

* cited by examiner

Primary Examiner—Doris Clark

(57) **CLAIM**

The ornamental design for a sun canopy, as shown and described.

DESCRIPTION

FIG. 1 is a top, front, left side perspective view of a sun canopy embodying my design with the flexible straps as typically placed;

FIG. 2 is a right side elevational view of the sun canopy as shown in FIG. 1;

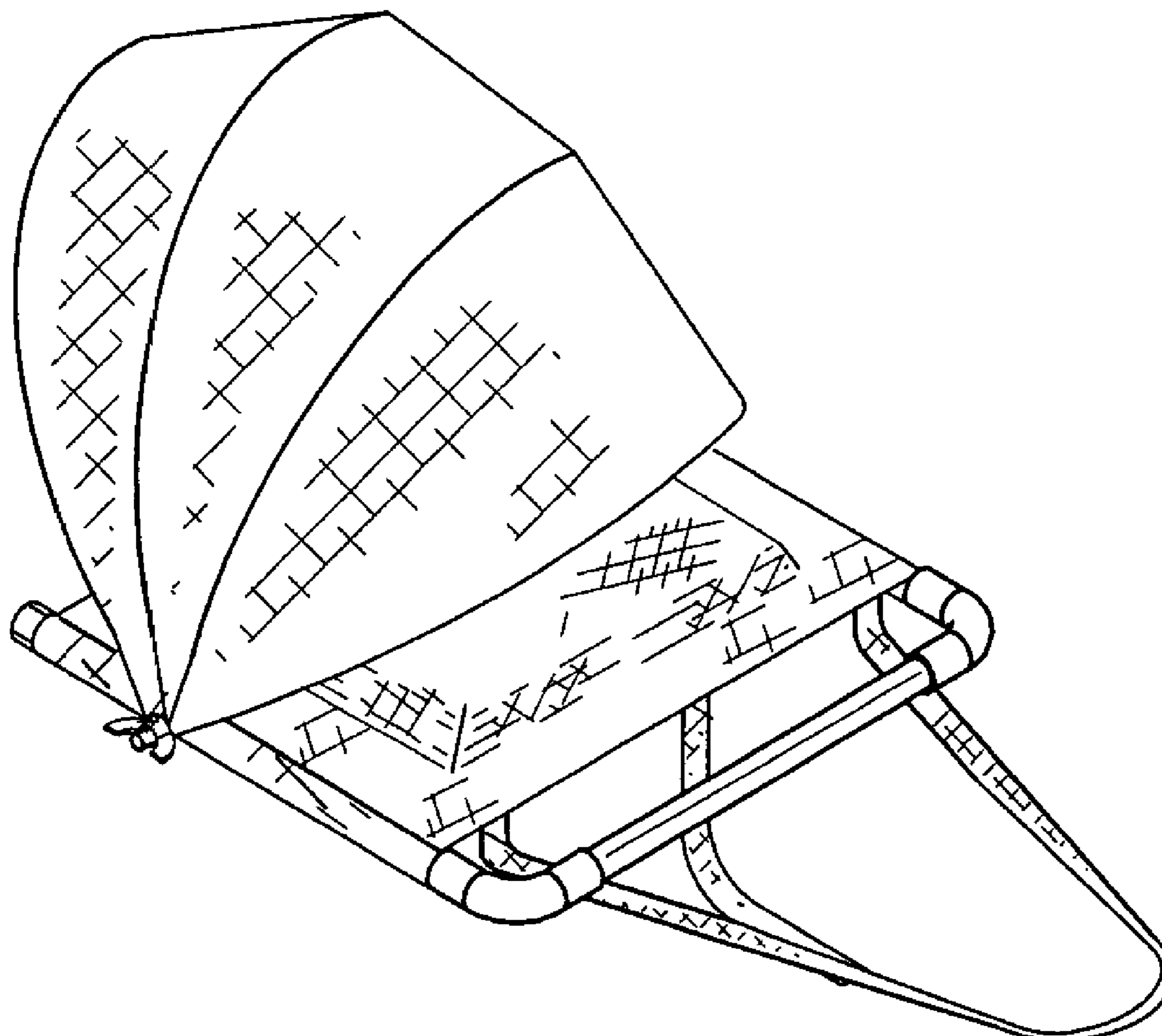
FIG. 3 is a rear elevational view thereof;

FIG. 4 is a front elevational view thereof;

FIG. 5 is a top plan view thereof; and,

FIG. 6 is a bottom plan view thereof.

1 Claim, 3 Drawing Sheets



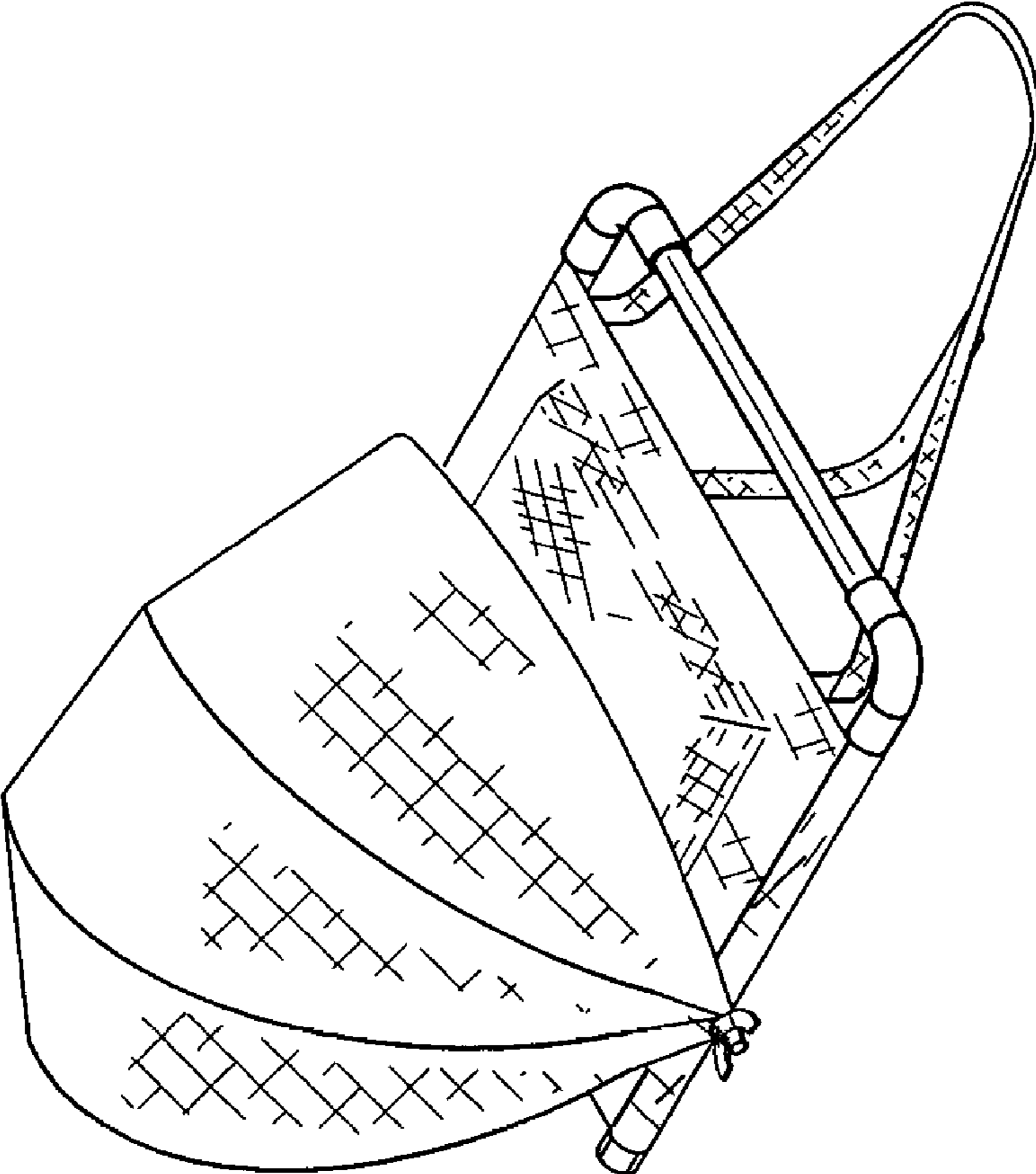


FIG. 1

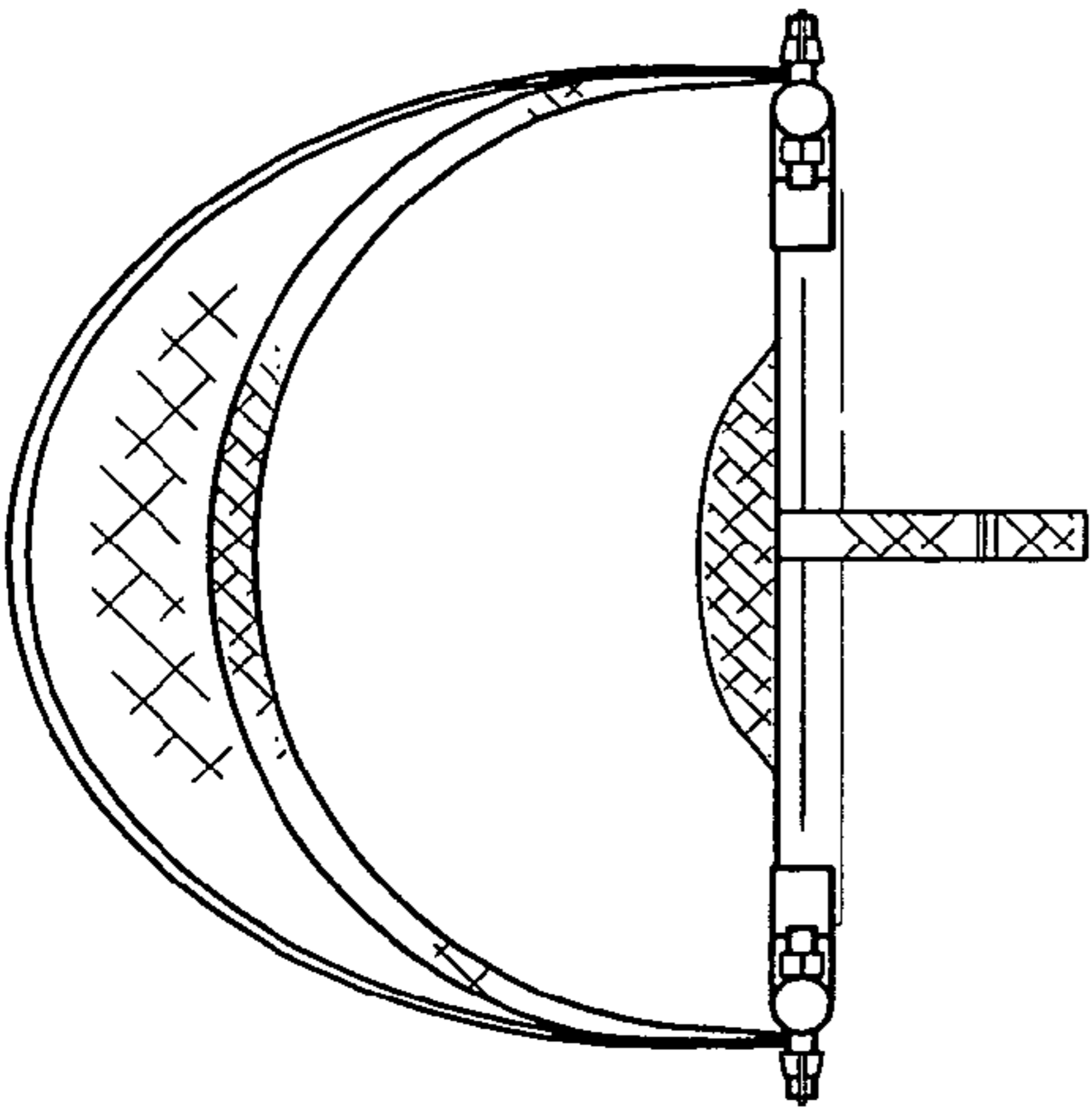


FIG. 3

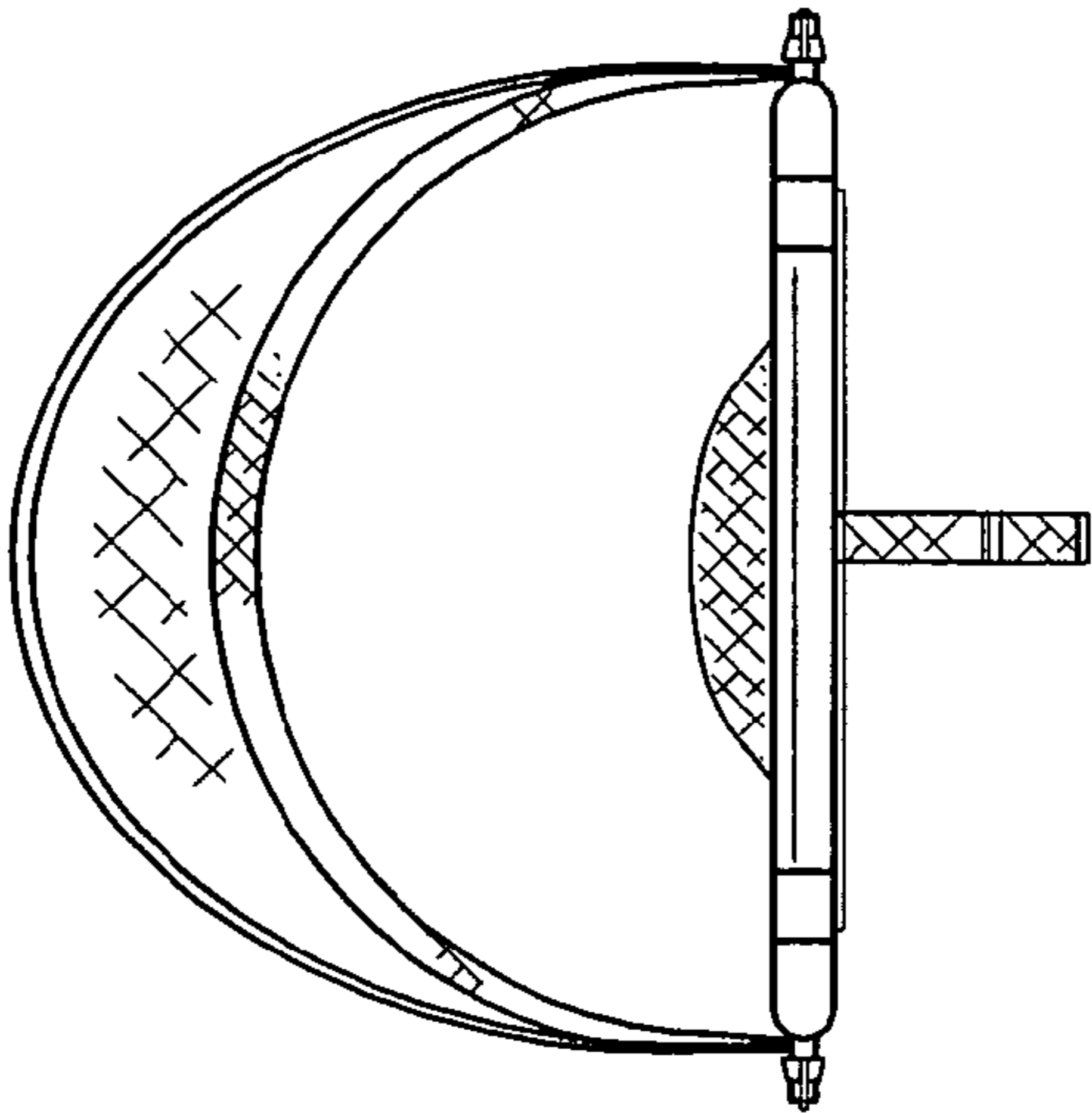


FIG. 4

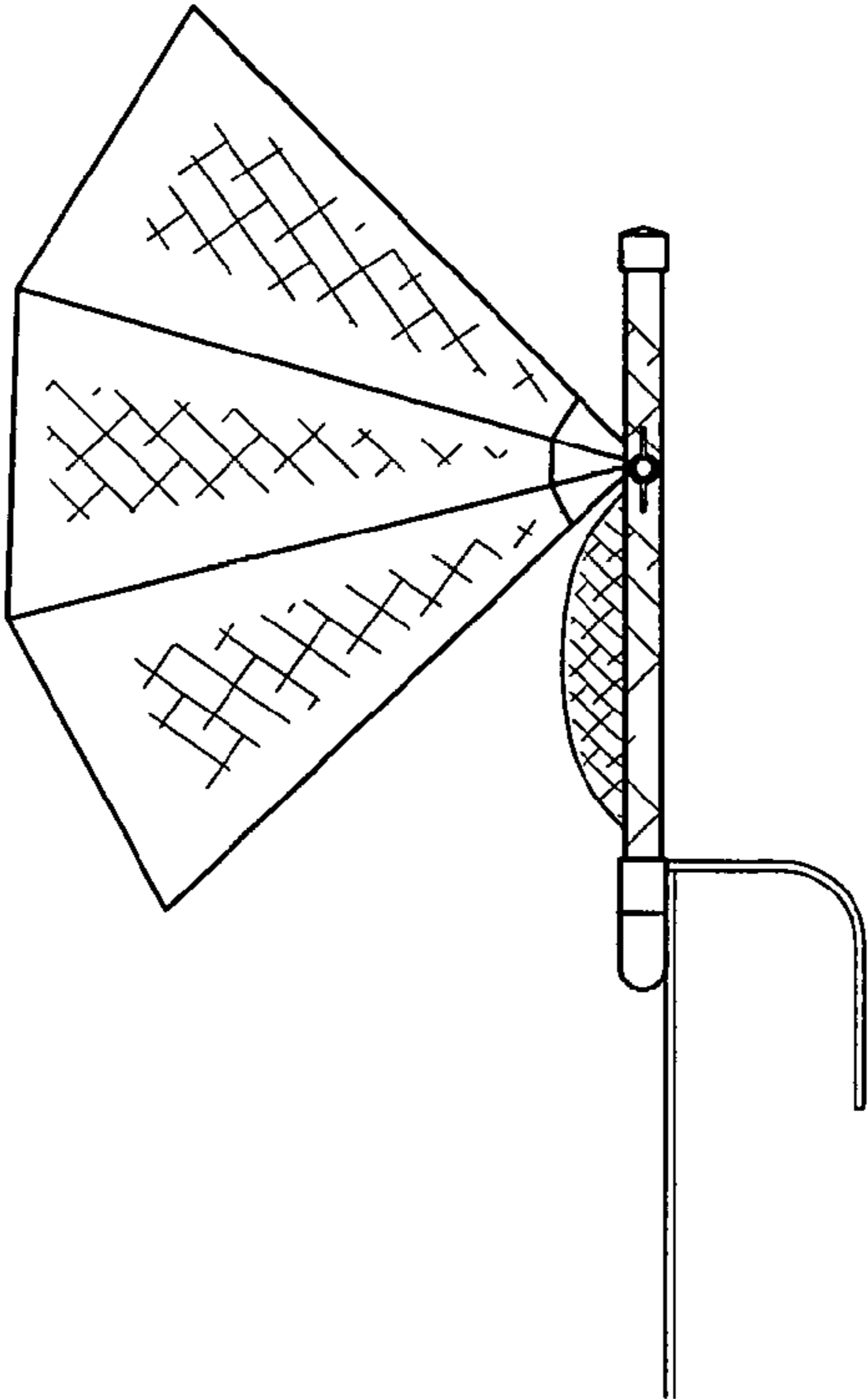


FIG. 2

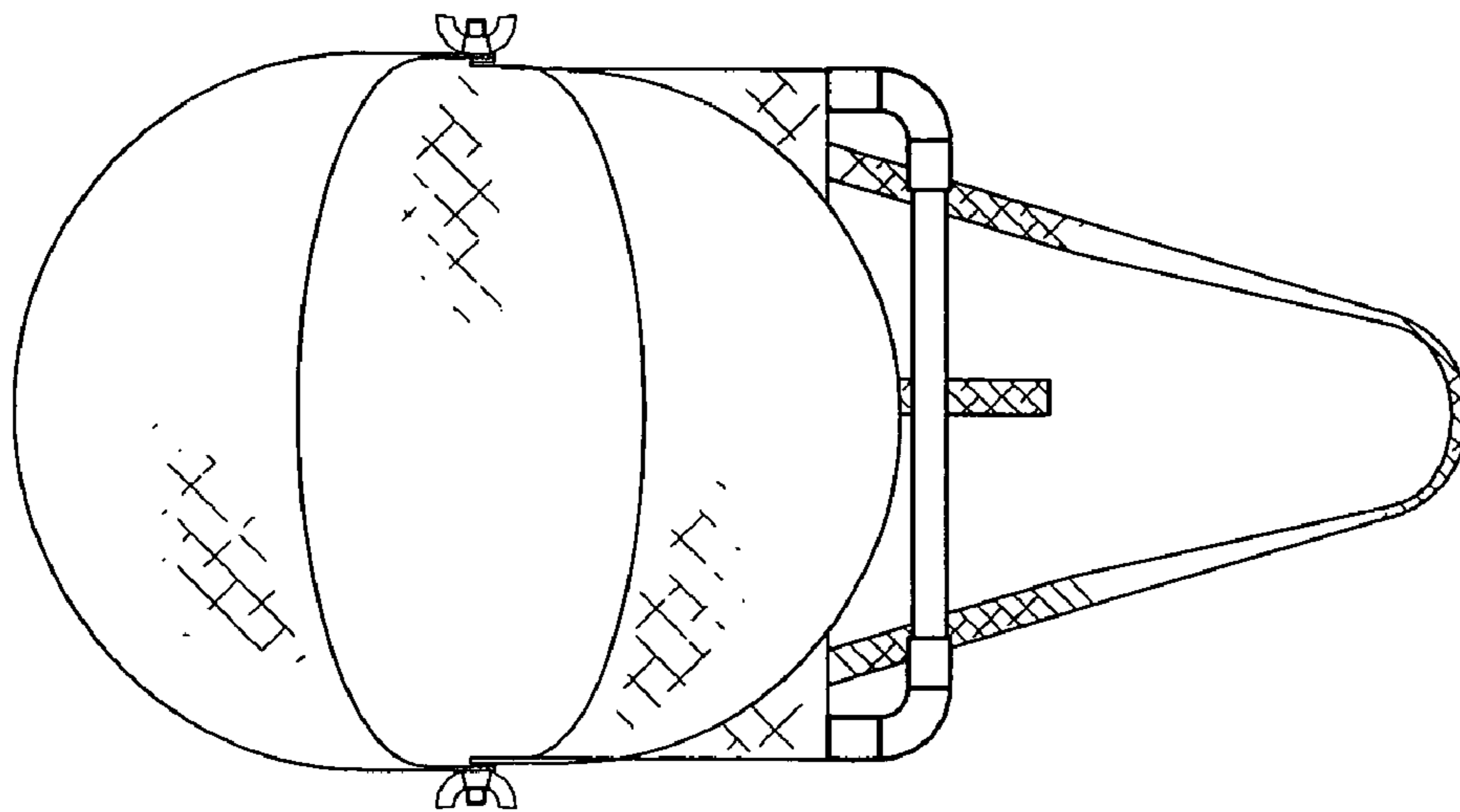


FIG. 5

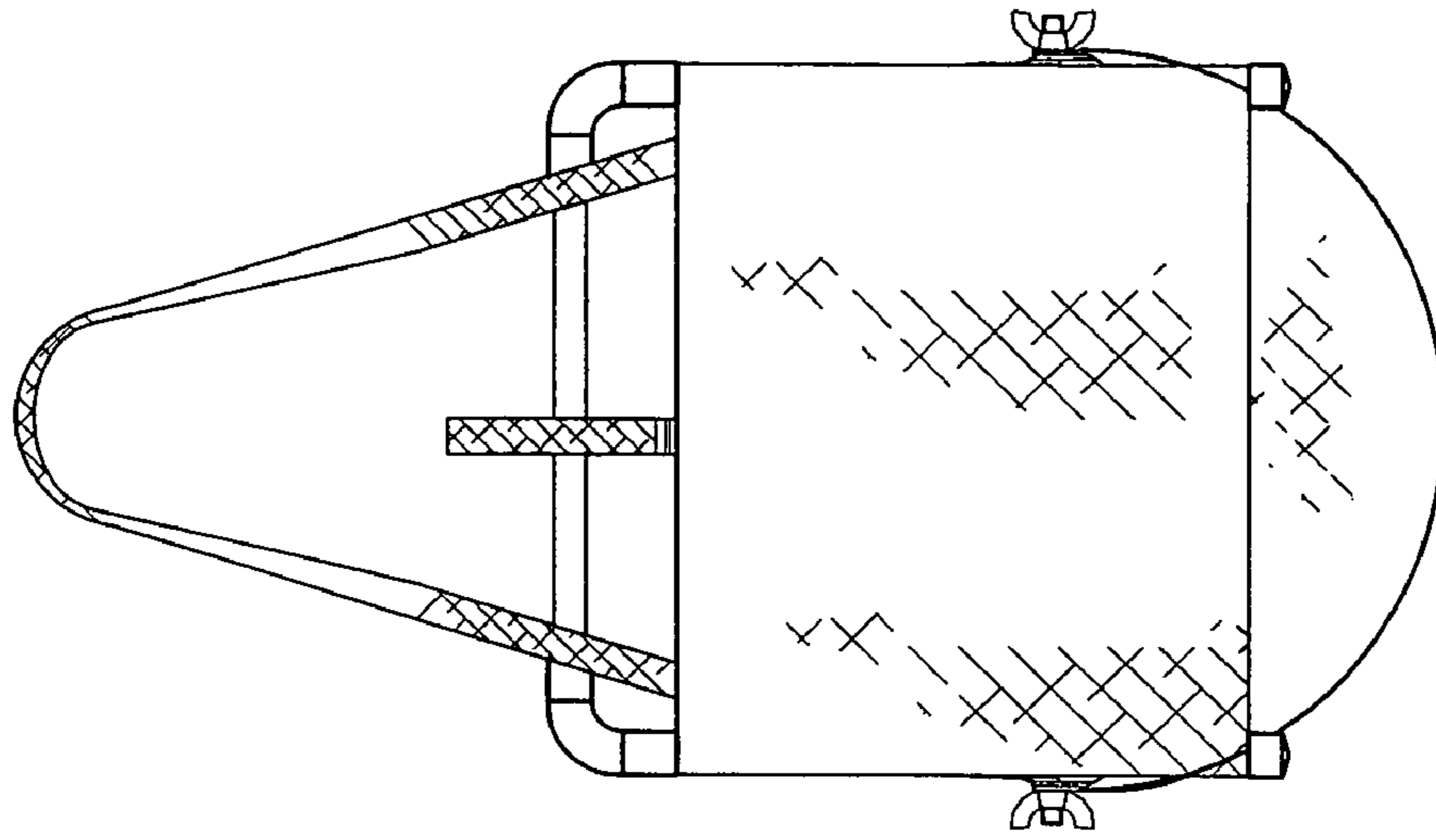


FIG. 6