



US00D572456S

(12) **United States Design Patent**
Guers-Neyrud

(10) **Patent No.:** **US D572,456 S**
(45) **Date of Patent:** **** Jul. 8, 2008**

(54) **FOOTWEAR**

(75) Inventor: **Elisabeth Guers-Neyrud**, Paris (FR)

(73) Assignee: **J. Choo Limited**, London (GB)

(**) Term: **14 Years**

(21) Appl. No.: **29/271,730**

(22) Filed: **Jan. 24, 2007**

(51) **LOC (8) Cl.** **02-04**

(52) **U.S. Cl.** **D2/971; D2/946; D2/917**

(58) **Field of Classification Search** D2/896,
D2/897, 916-919, 925, 929-934, 943, 969-972,
D2/977, 978; 36/7.3-7.5, 11.5, 45, 88-92,
36/94, 106

See application file for complete search history.

(56) **References Cited**

U.S. PATENT DOCUMENTS

1,977,995	A *	10/1934	Morali	36/11.5
D129,706	S *	9/1941	Grossman	D2/932
D147,308	S *	8/1947	Steel	D2/917
D158,389	S	5/1950	Lakow	
D495,855	S *	9/2004	Comeau	D2/917
D496,147	S *	9/2004	Comeau	D2/917
D524,021	S *	7/2006	Choi	D2/971
D530,898	S *	10/2006	Choi	D2/971
D534,713	S *	1/2007	Weitzman	D2/929
D545,039	S *	6/2007	Weitzman et al.	D2/971
D550,942	S *	9/2007	Choi	D2/969
D553,840	S *	10/2007	Weitzman	D2/971

OTHER PUBLICATIONS

J. Choo (Jersey) Limited, Train, Spring/Summer 2003 Catalogue.
U.S. Appl. No. 29/271,785, filed Jan. 26, 2007.

U.S. Appl. No. 29/271,726, filed Jan. 24, 2007.

* cited by examiner

Primary Examiner—Stella M. Reid

Assistant Examiner—Keli L Acker

(74) *Attorney, Agent, or Firm*—Fross Zelnick Lehrman & Zissu, P.C.; Lawrence E. Apolzon, Esq

(57) **CLAIM**

The ornamental design for footwear, as shown and described.

DESCRIPTION

FIG. 1 is a front perspective view of footwear, embodying my new design;

FIG. 2 is a left side view thereof;

FIG. 3 is a right side view thereof;

FIG. 4 is a front view thereof;

FIG. 5 is a rear view thereof;

FIG. 6 is a top view thereof;

FIG. 7 is a front perspective view of a second embodiment of footwear, embodying my new design;

FIG. 8 is a left side view thereof;

FIG. 9 is a right side view thereof;

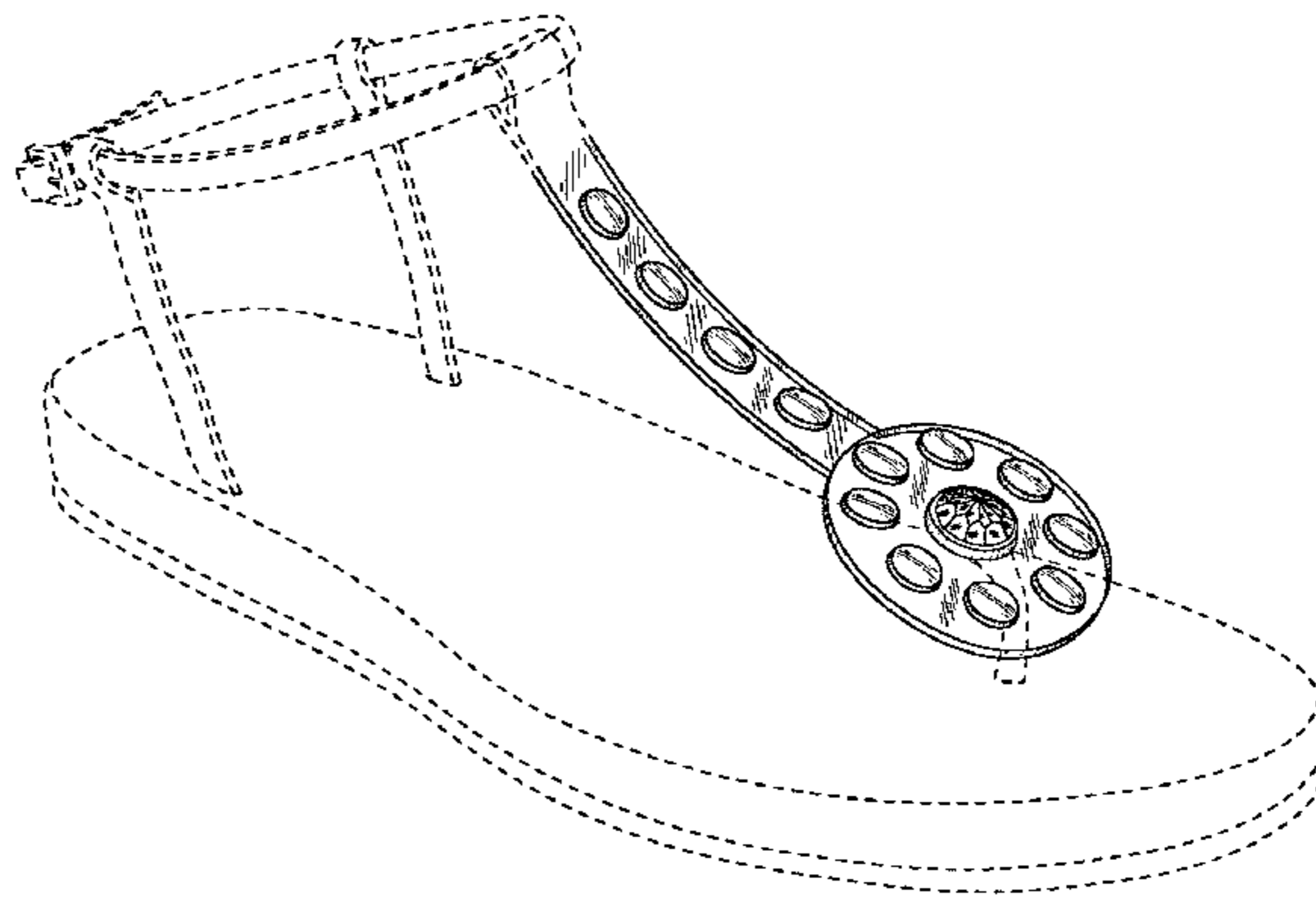
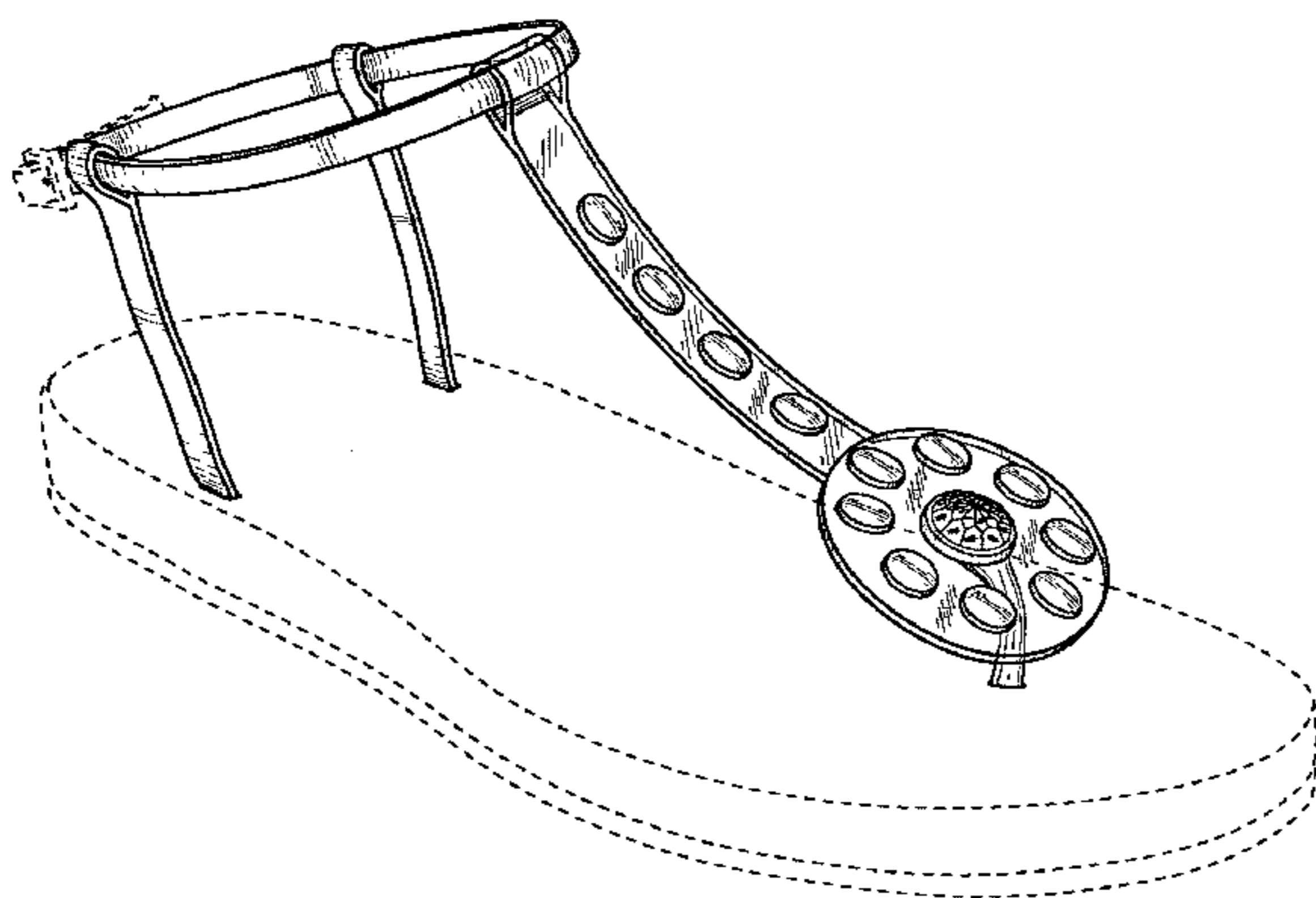
FIG. 10 is a front view thereof;

FIG. 11 is a rear view thereof; and,

FIG. 12 is a top view thereof.

The broken line showing of the sole, buckle, buckle holes, portion of strap, back portion of shoe, toe thong and footbed is for illustrative purposes only and forms no part of the claimed design.

1 Claim, 12 Drawing Sheets



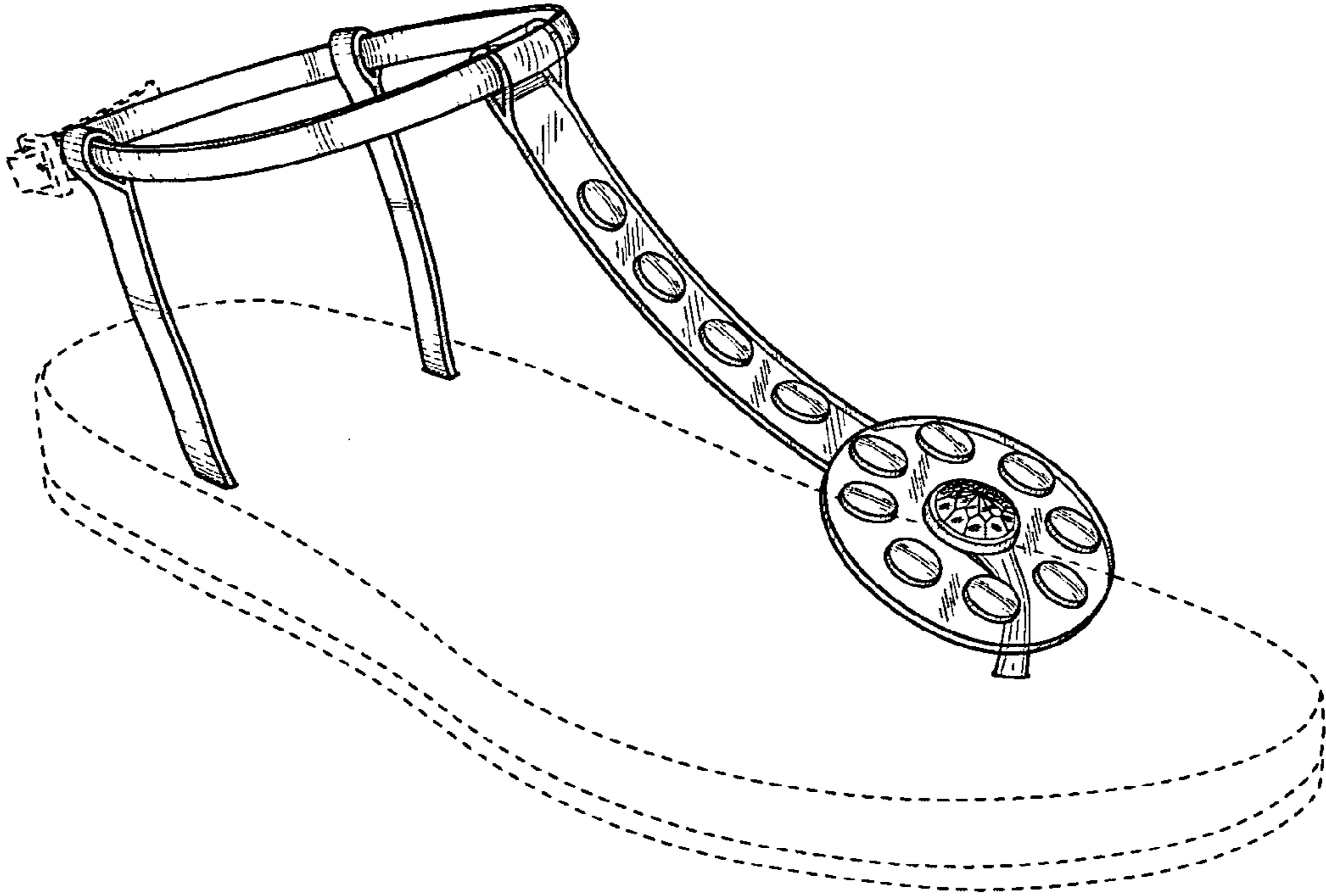


FIG. 1

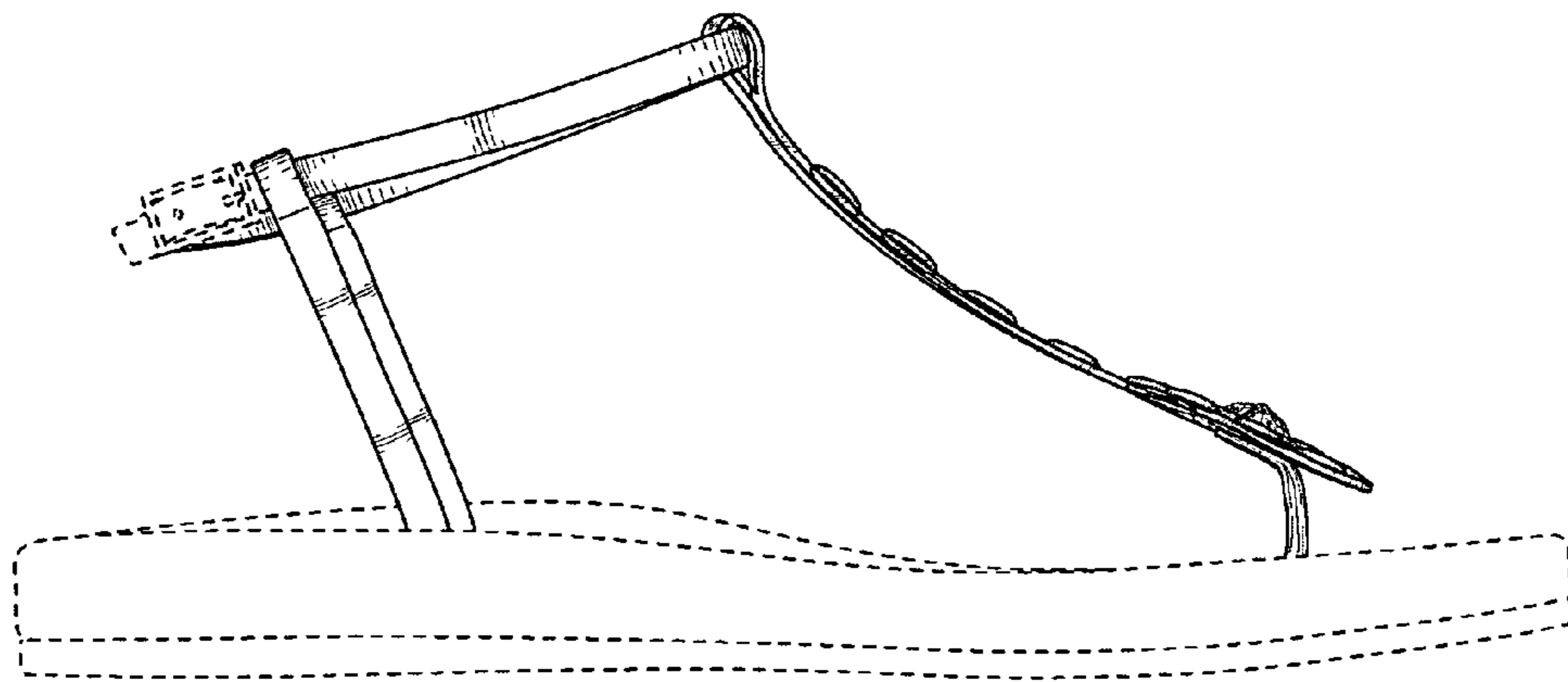


FIG. 2

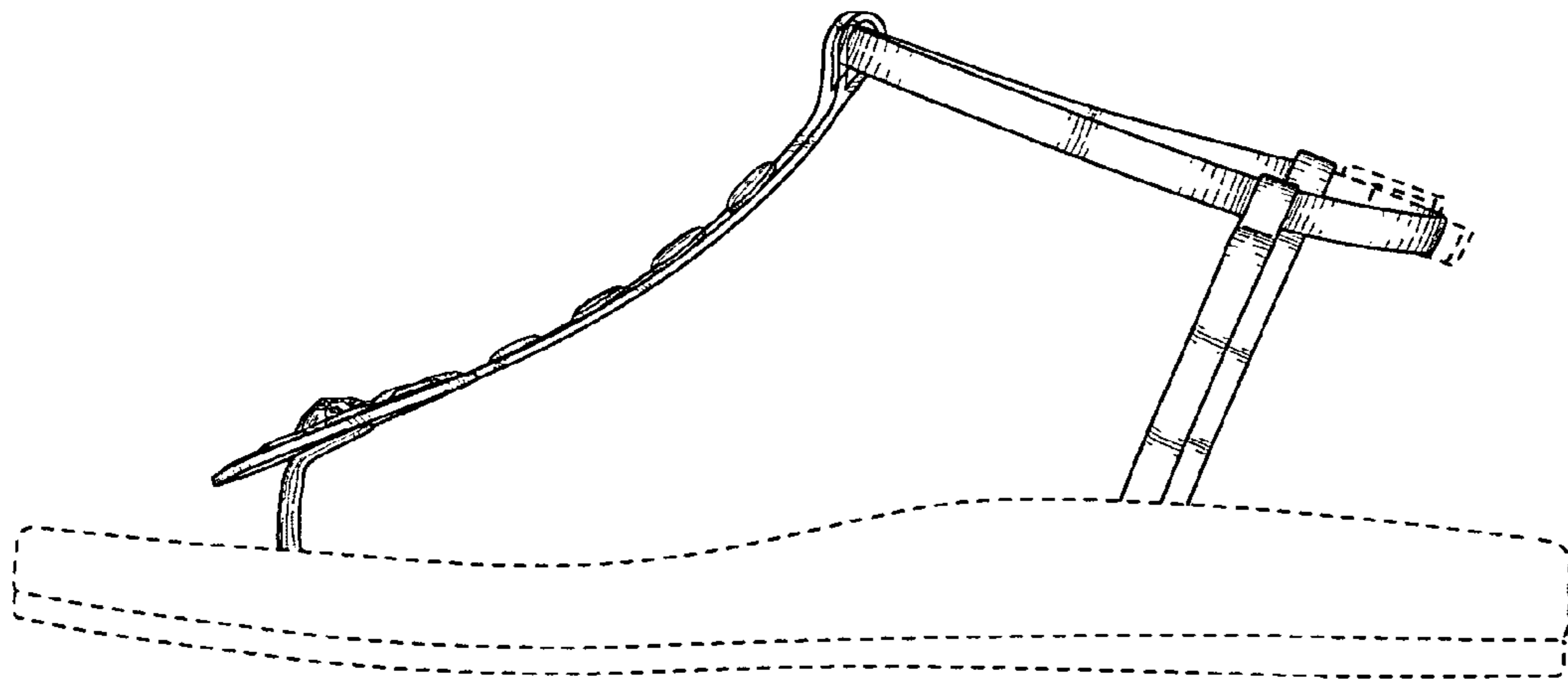


FIG. 3

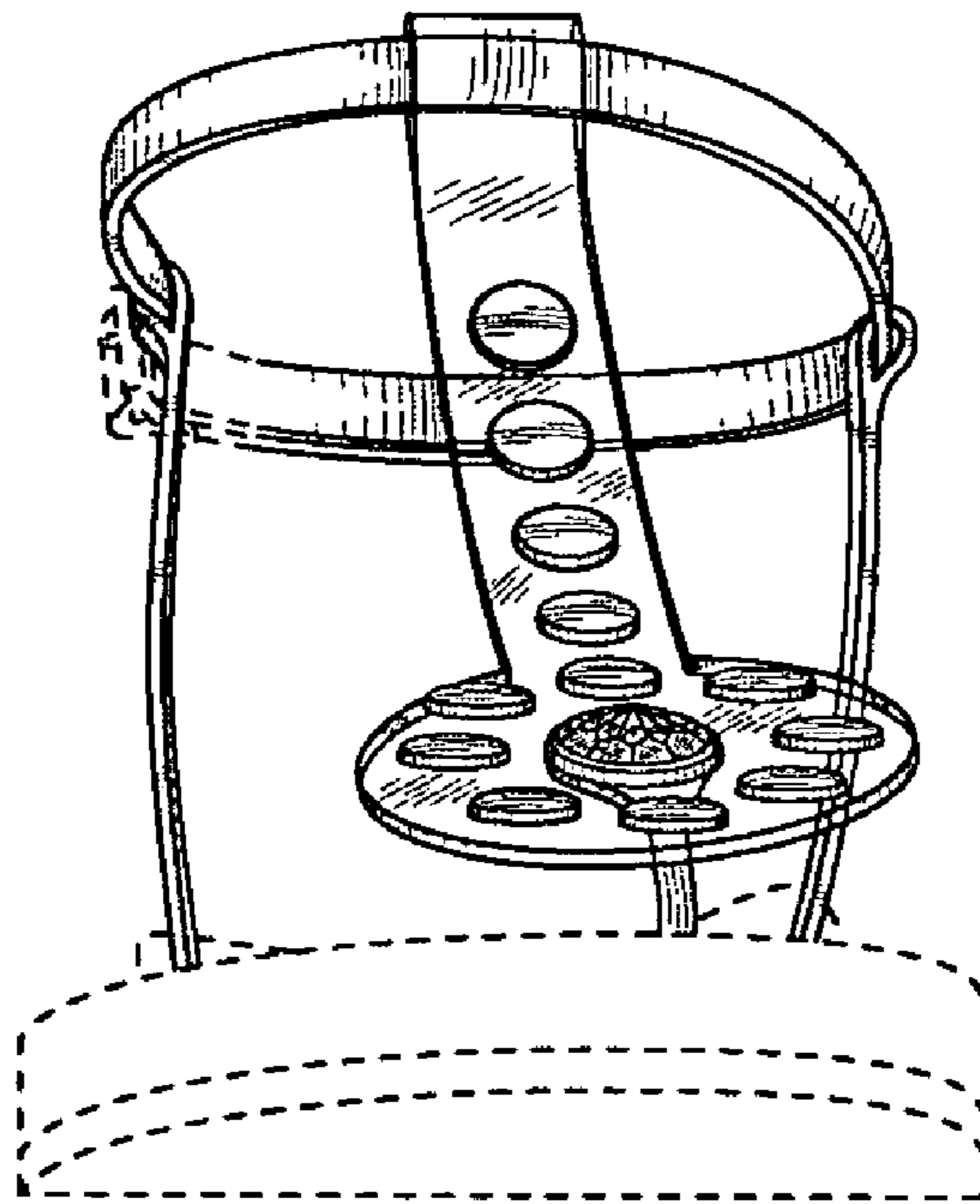


FIG. 4

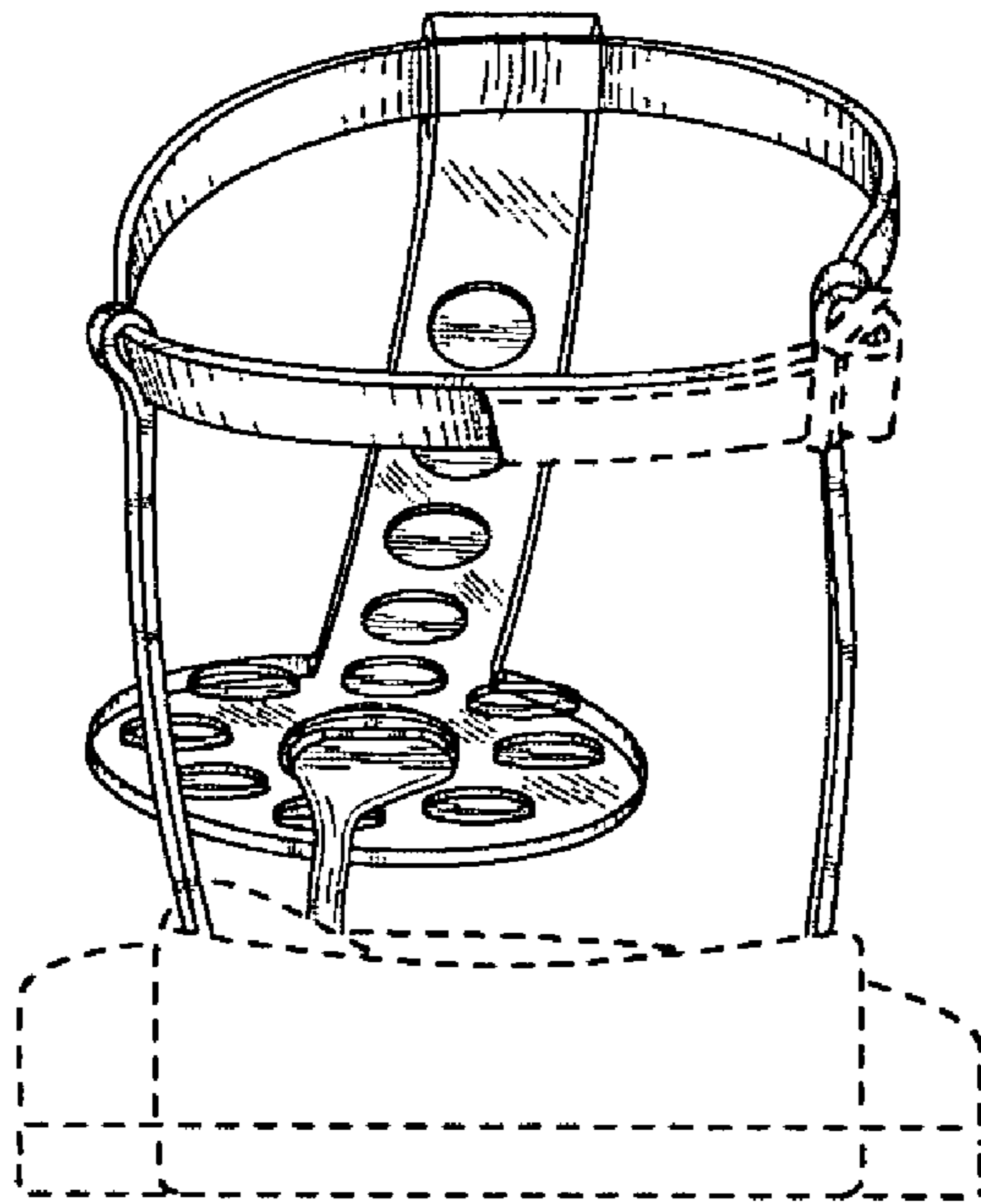


FIG. 5

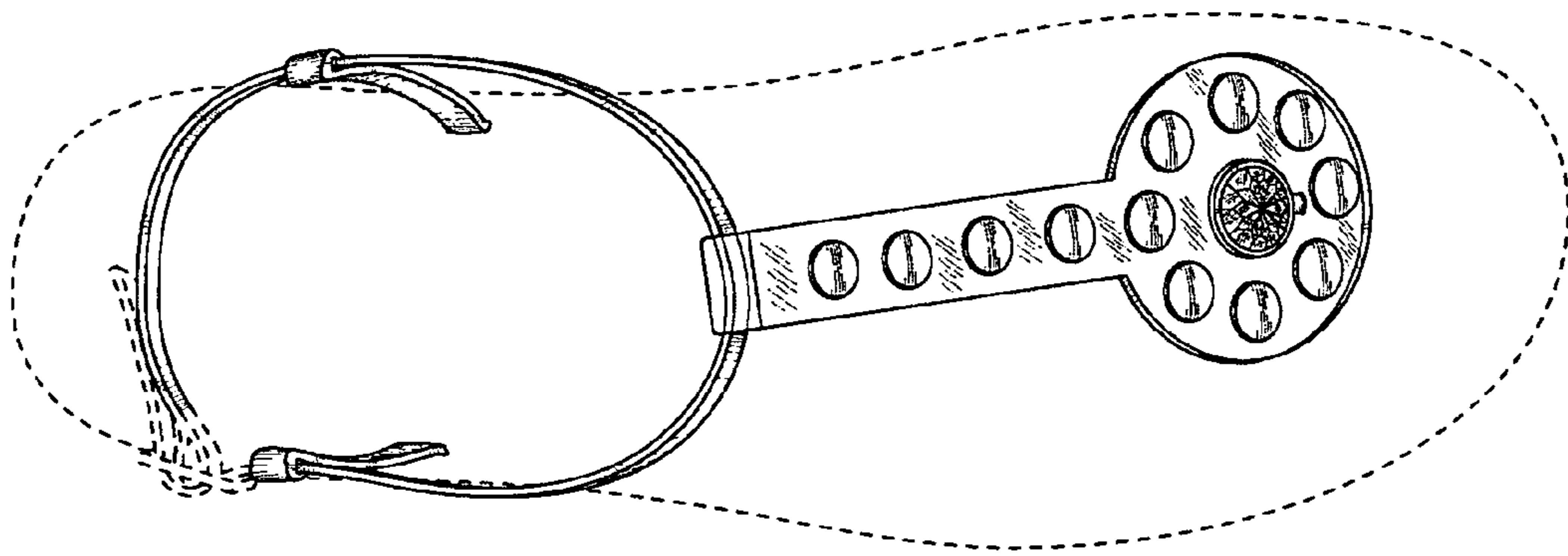


FIG. 6

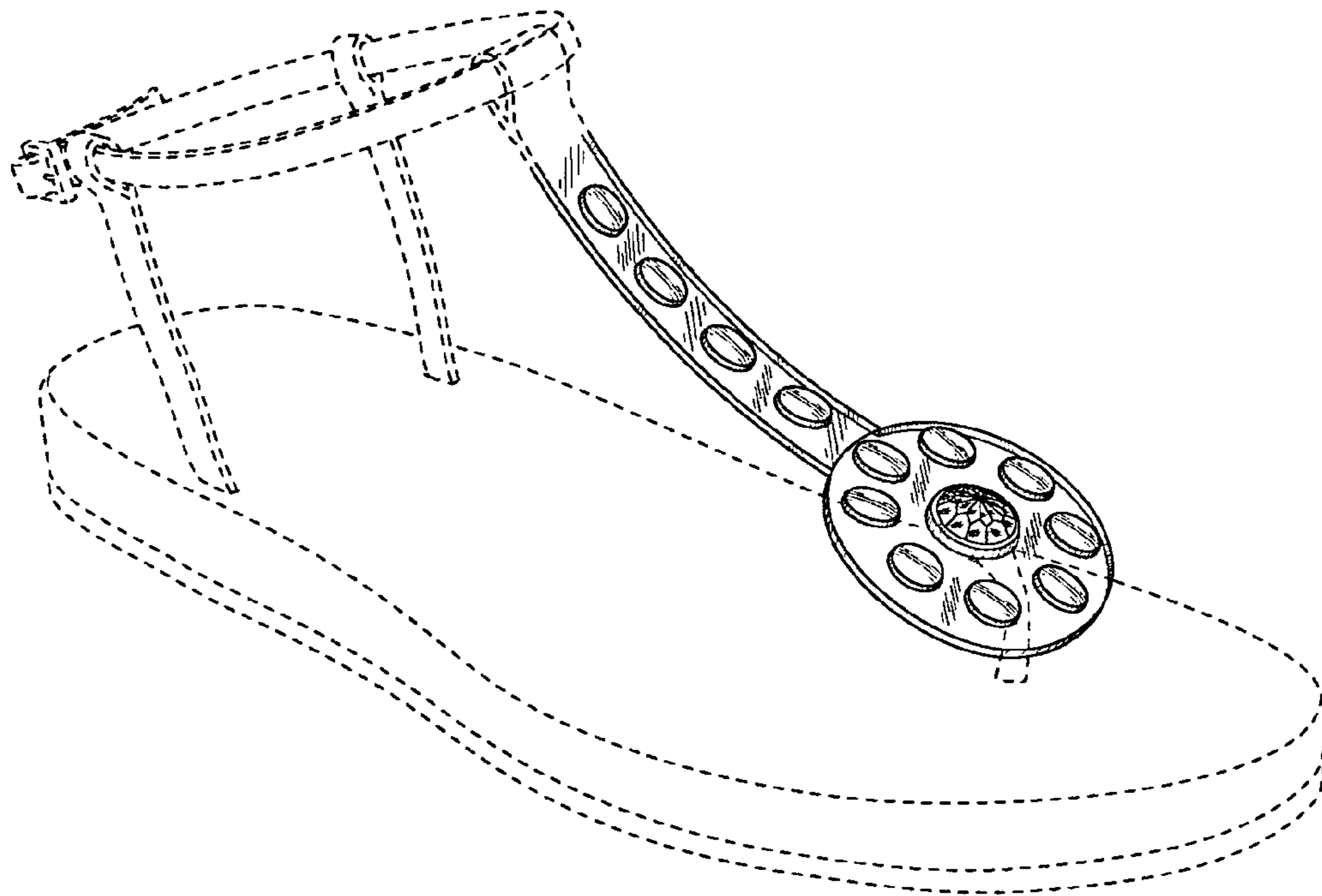


FIG. 7

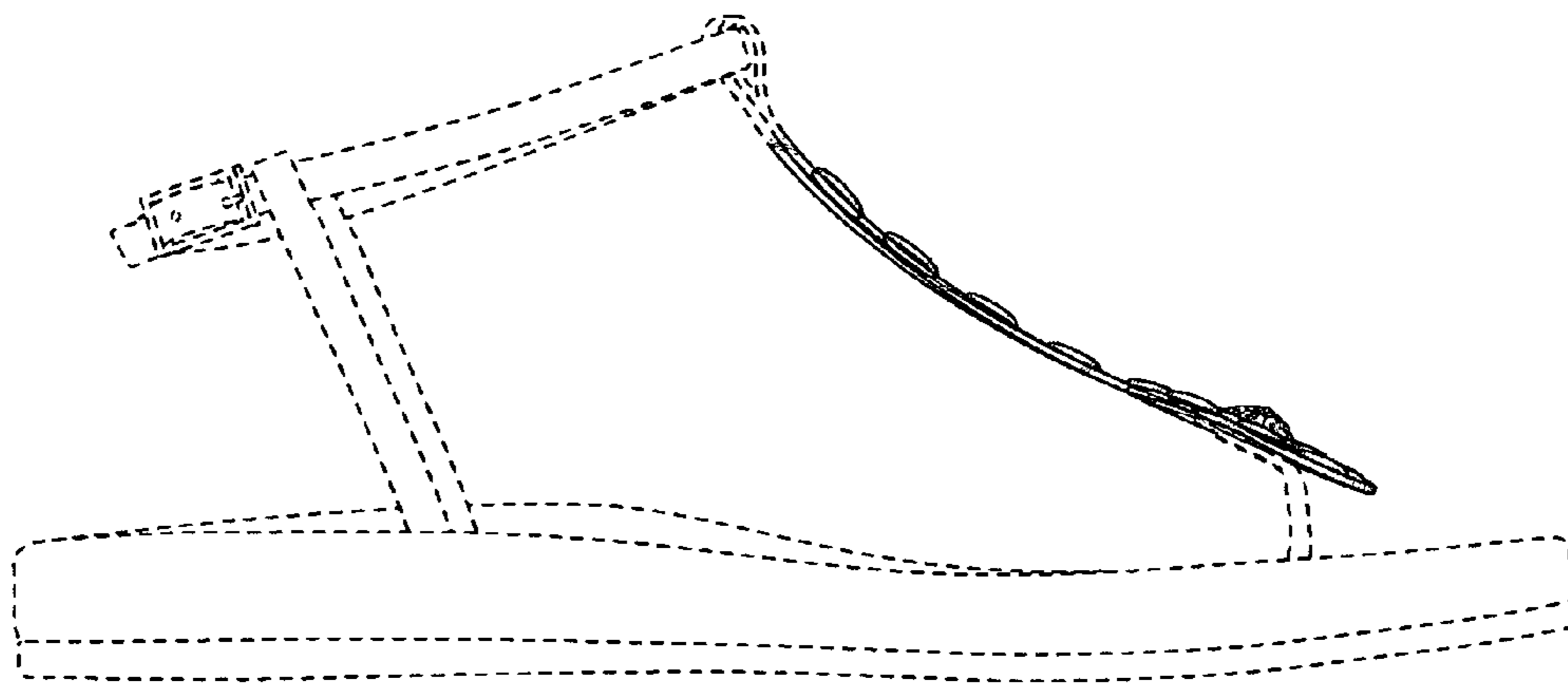


FIG. 8

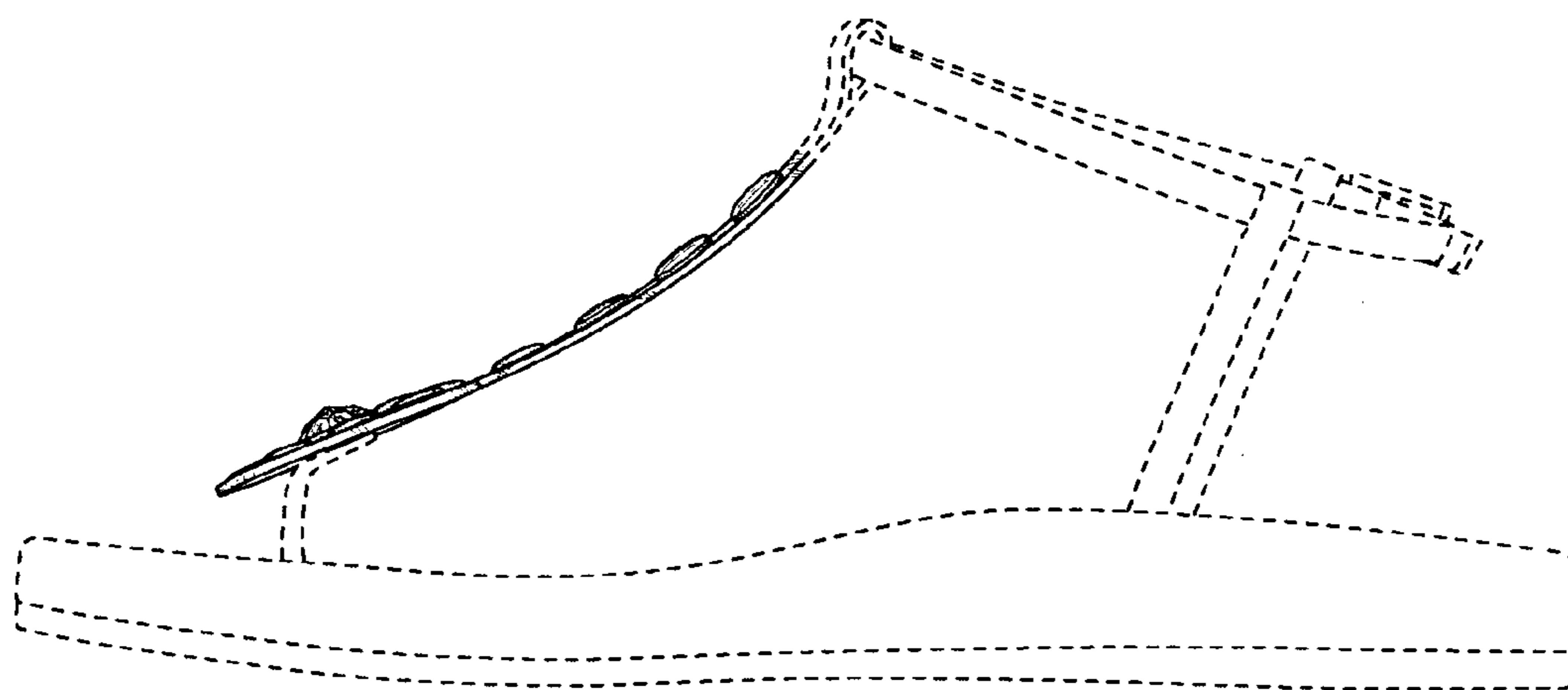


FIG. 9

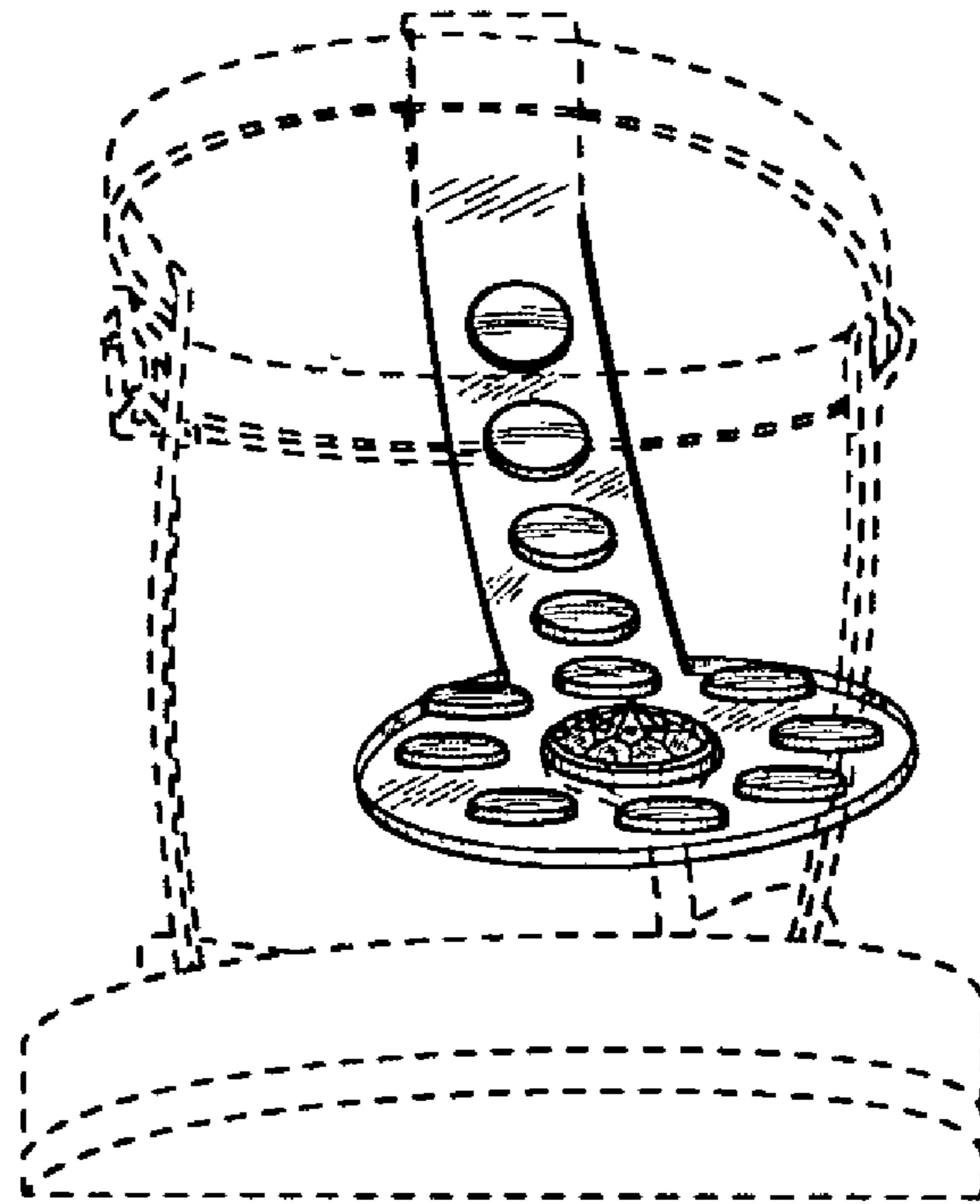


FIG. 10

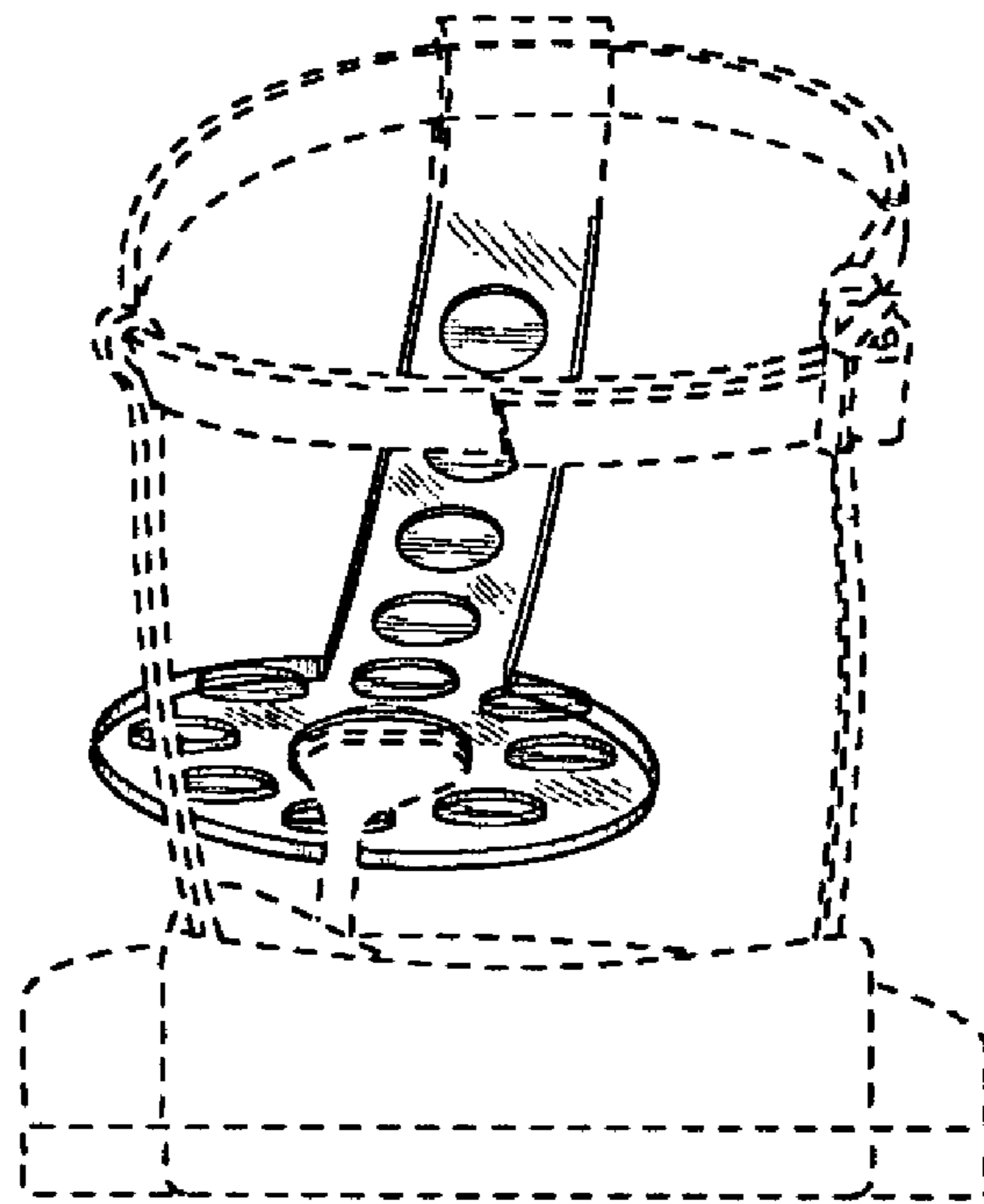


FIG. 11

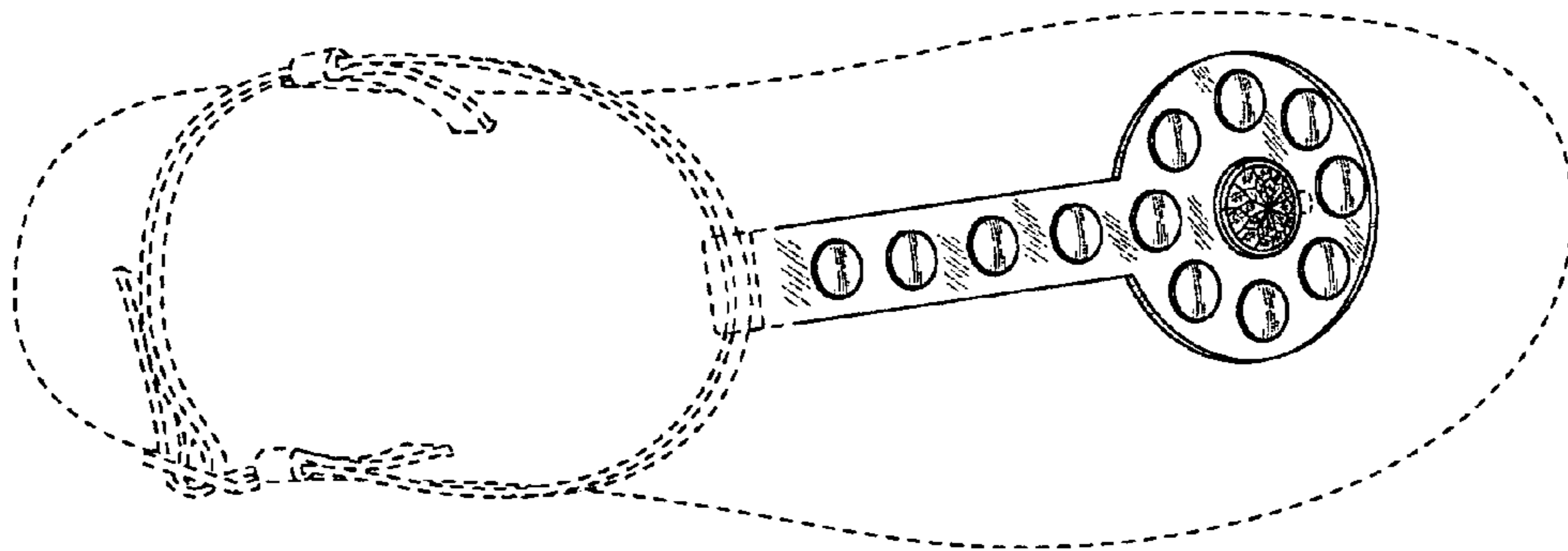


FIG. 12