

US00D572453S

(12) **United States Design Patent**
Alfaro

(10) **Patent No.:** **US D572,453 S**
(45) **Date of Patent:** **** Jul. 8, 2008**

(54) **SHOE UPPER**
(75) Inventor: **Charlie Narito Alfaro**, Tigard, OR (US)
(73) Assignee: **Nike, Inc.**, Beaverton, OR (US)
(**) Term: **14 Years**

D537,242 S 2/2007 Madore
D544,689 S * 6/2007 Link D2/972
D545,048 S 6/2007 Petrie
D545,049 S * 6/2007 Dirsra D2/972
D545,051 S * 6/2007 Roulo D2/972
D547,936 S 8/2007 Masullo
D556,440 S * 12/2007 Link D2/972
D561,431 S * 2/2008 Walton et al. D2/902

(21) Appl. No.: **29/280,904**

(22) Filed: **Jun. 8, 2007**

(51) **LOC (8) Cl.** **02-99**

(52) **U.S. Cl.** **D2/969**

(58) **Field of Classification Search** D2/902,
D2/906-908, 943, 944, 969, 972-974, 945;
36/45, 77 M, 77 R, 83, 113, 114, 126-131

See application file for complete search history.

(56) **References Cited**

U.S. PATENT DOCUMENTS

D297,069 S 8/1988 Le
D321,084 S 10/1991 Miller et al.
D322,710 S 12/1991 Allen
D328,517 S 8/1992 Hallenbeck
D342,149 S 12/1993 Berger
D343,724 S 2/1994 Smith
D347,317 S 5/1994 Avar
D370,994 S 6/1996 Avar
D383,287 S 9/1997 Van Noy
D441,940 S 5/2001 Garcia
D446,918 S 8/2001 Lamprou
D447,861 S 9/2001 Chaigne et al.
D458,009 S 6/2002 Ritter et al.
D460,246 S 7/2002 Butler et al.
D474,592 S 5/2003 Fogg
D478,415 S 8/2003 Masullo
D495,862 S * 9/2004 Riosa D2/969
D498,352 S 11/2004 Ringholz et al.
D513,853 S 1/2006 Vogel
D515,287 S 2/2006 Ardissono
D517,298 S 3/2006 James
D523,621 S 6/2006 Madore
D524,530 S 7/2006 Avar

OTHER PUBLICATIONS

Nike Footwear Catalog, Fall 1986, p. 24, published Jan. 1986.
Nike Footwear Catalog, Fall 1987, p. 24, published Jan. 1987.
Nike Footwear Catalog, Fall 1988, p. 36, published Dec. 1987.
Nike Footwear Catalog, Spring 1991, p. 88, published Jun. 1990.
Nike Footwear Catalog, Fall 1992, p. 16, published Dec. 1991.
Nike Footwear Catalog, Late Spring 1997, pp. 134, 135, published Sep. 1996.
Nike Footwear Catalog, Spring 1999, p. M88, published Jun. 1998.
Nike Footwear Catalog, Late Fall 1998, p. 136, published Mar. 1998.
Nike Footwear Catalog, Fall 2005, pp. 42, 191, 192, published Nov. 2004.
Nike Footwear Catalog, Fall 2007, p. 43, published Nov. 2006.

* cited by examiner

Primary Examiner—Dominic Simone
(74) *Attorney, Agent, or Firm*—Banner & Witcoff, Ltd.

(57) **CLAIM**

The ornamental design for a shoe upper, as shown and described.

DESCRIPTION

FIG. 1 is a front perspective view of a shoe upper showing my new design;

FIG. 2 is a side view thereof;

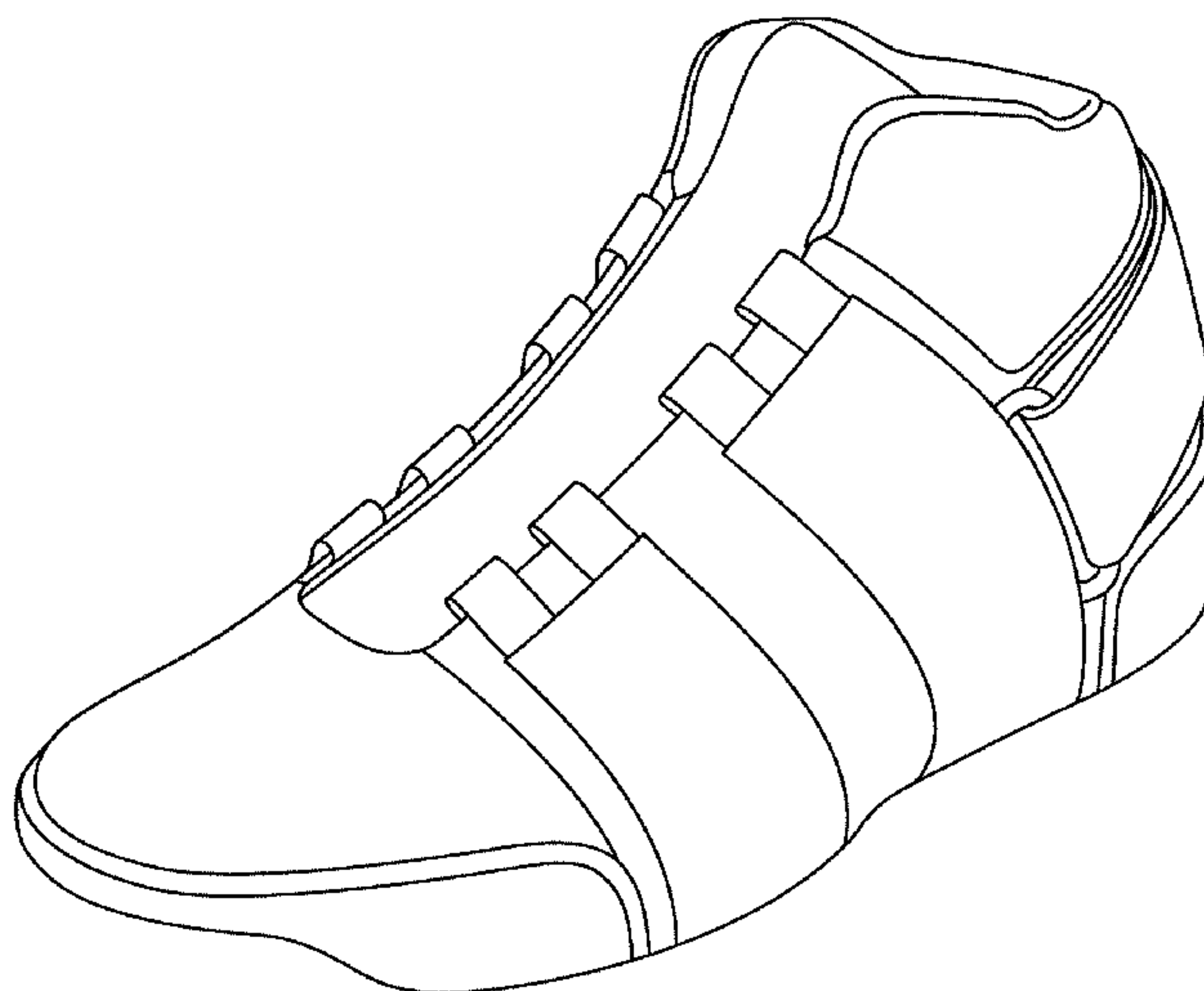
FIG. 3 is a second side view thereof;

FIG. 4 is a front view thereof;

FIG. 5 is a rear view thereof; and,

FIG. 6 is a top view thereof.

1 Claim, 5 Drawing Sheets



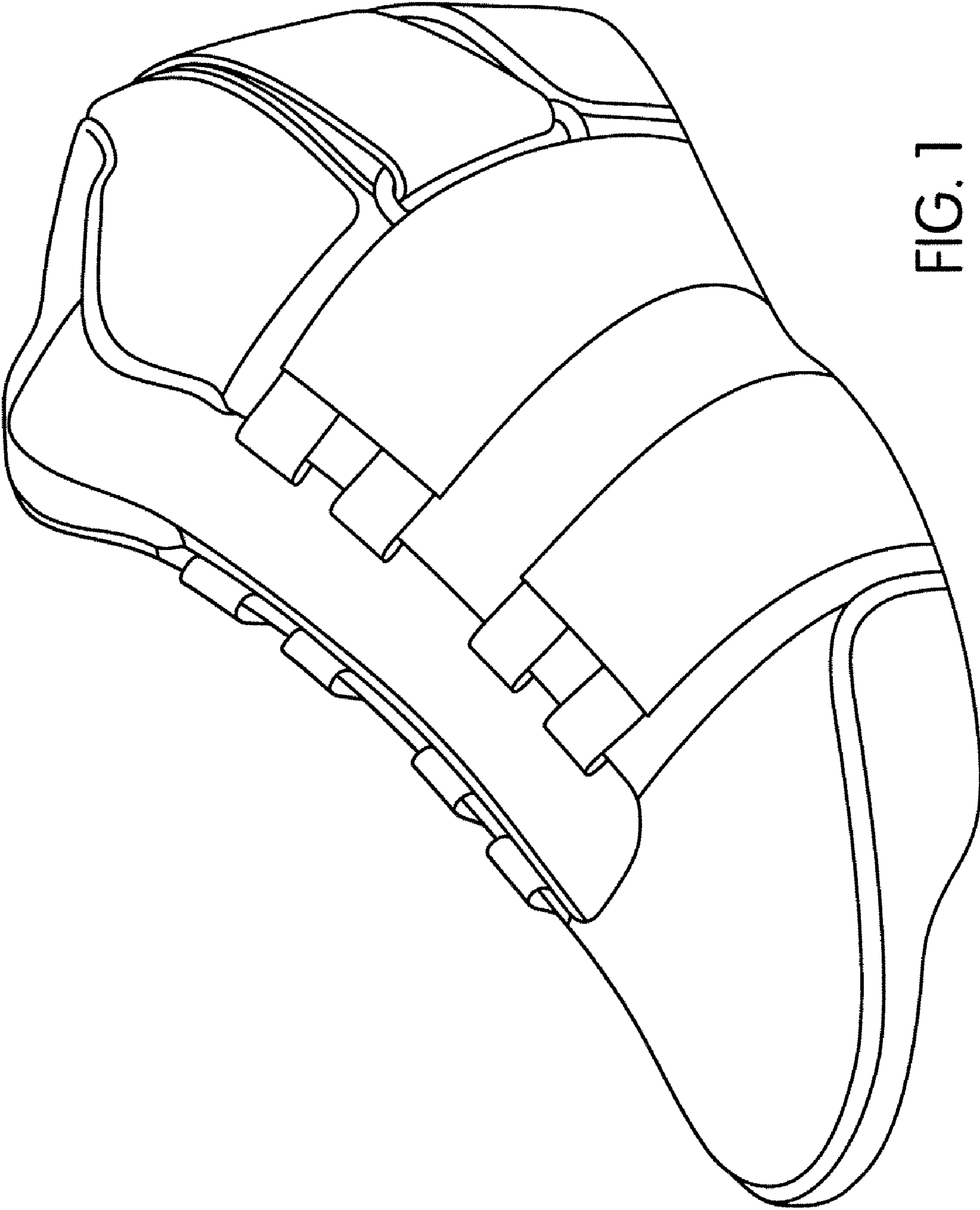


FIG. 1

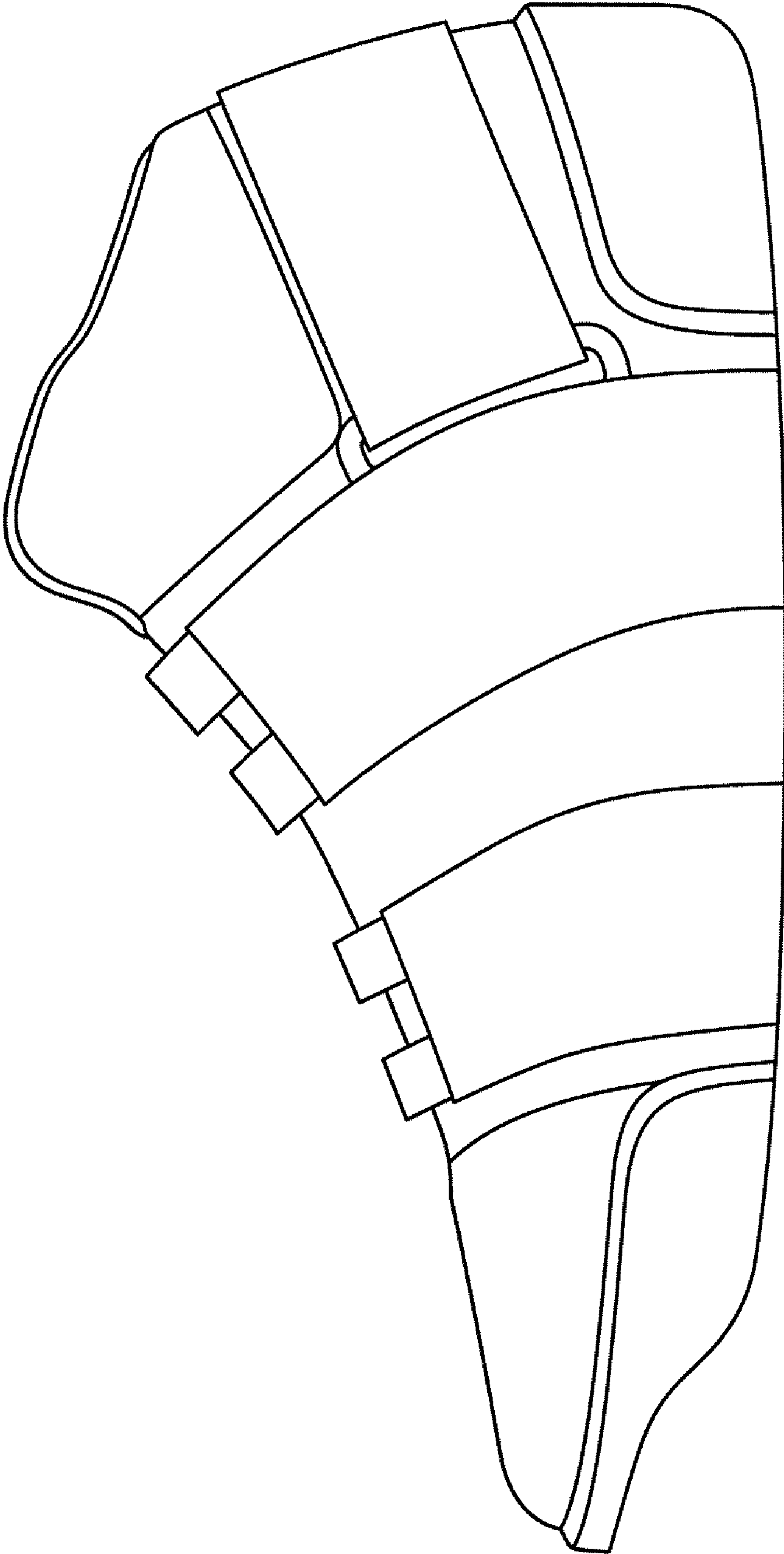


FIG. 2

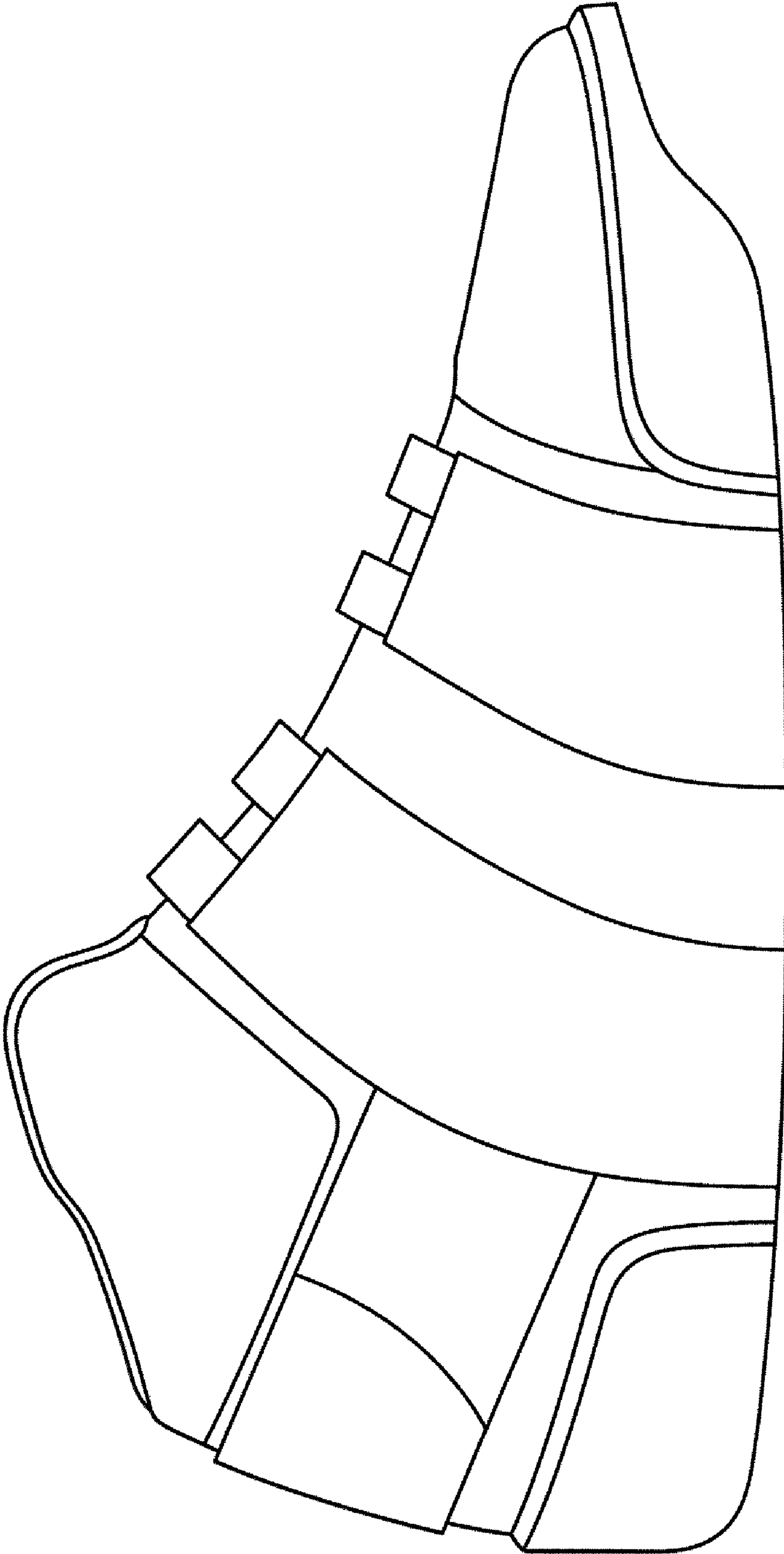


FIG. 3

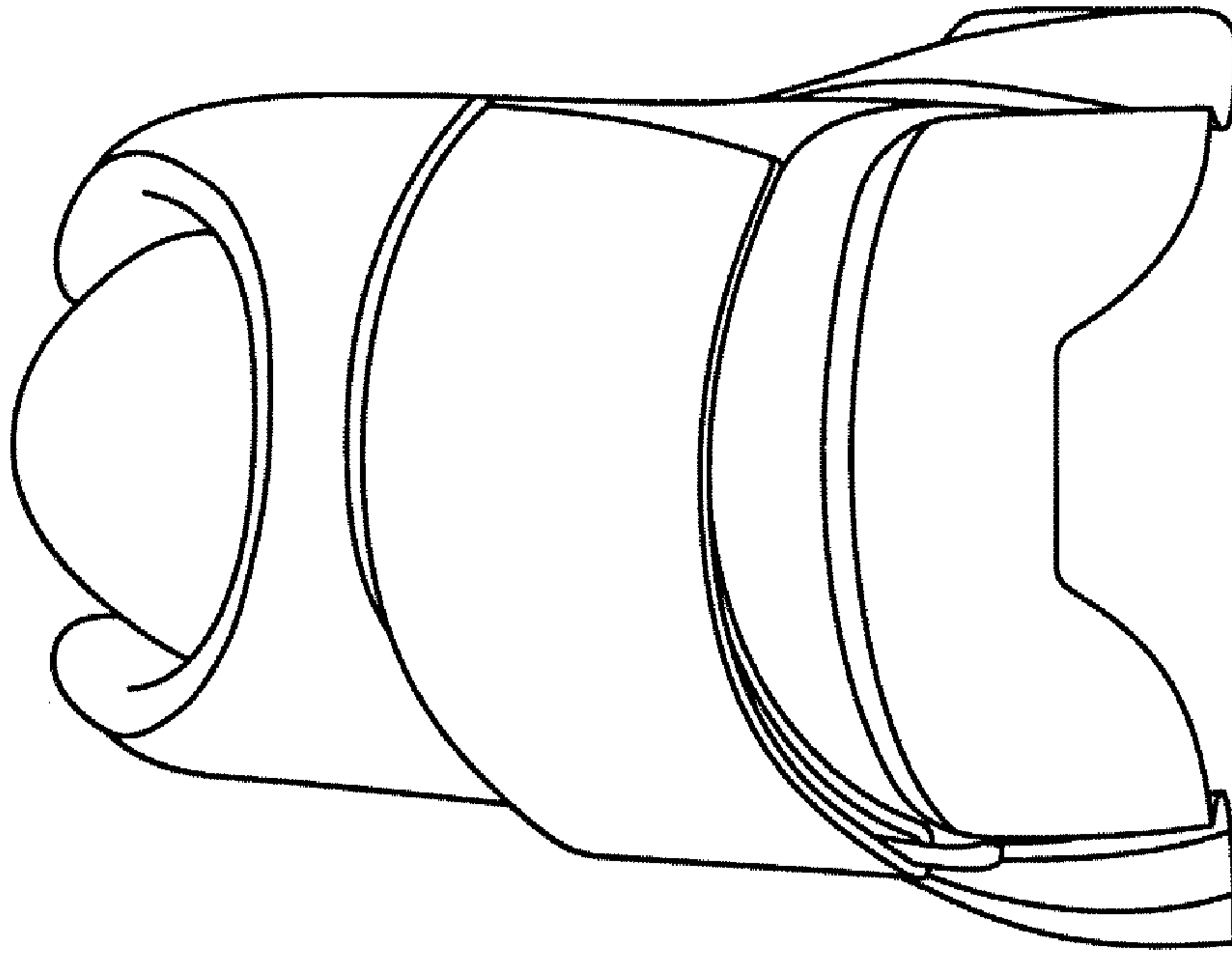


FIG. 5

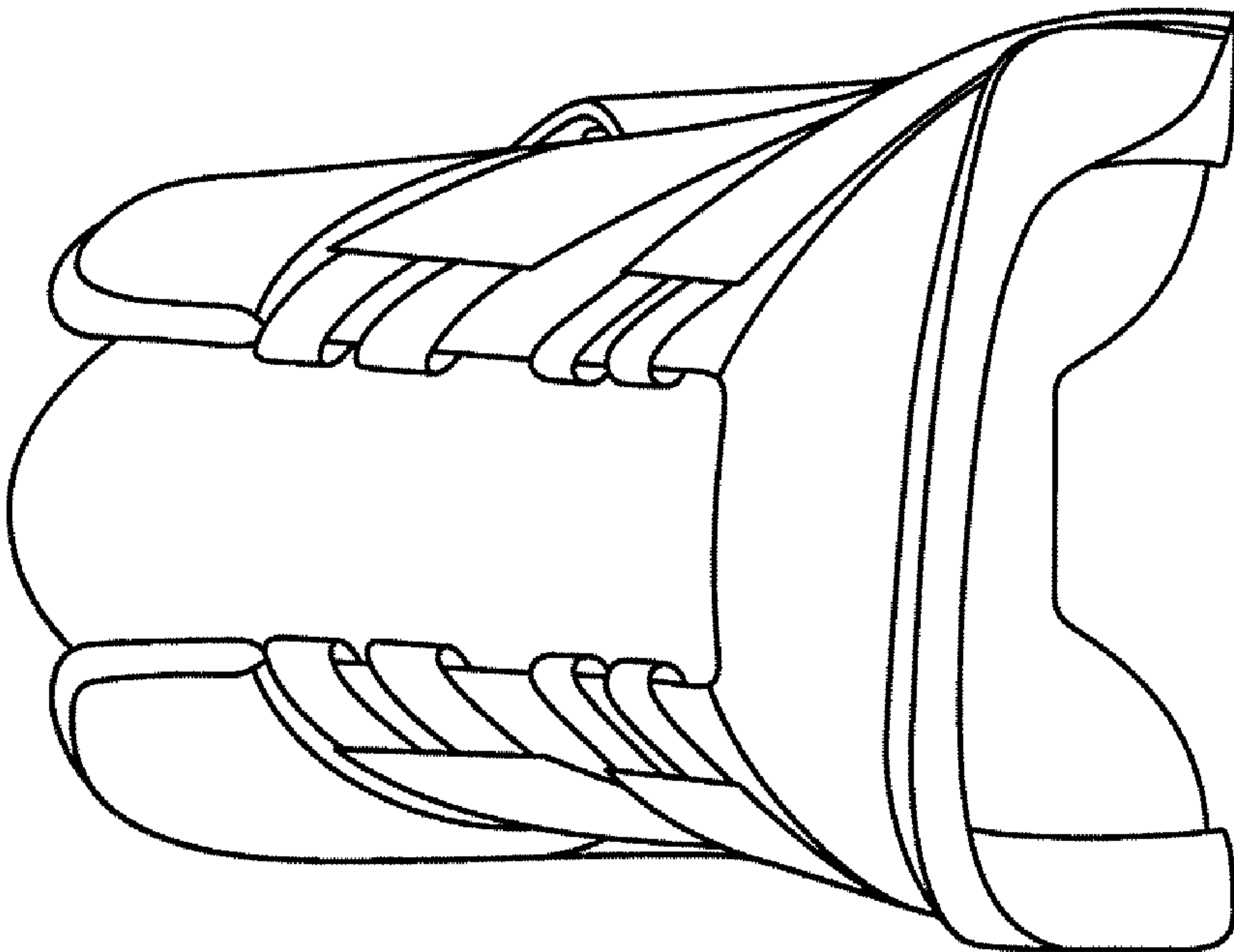


FIG. 4

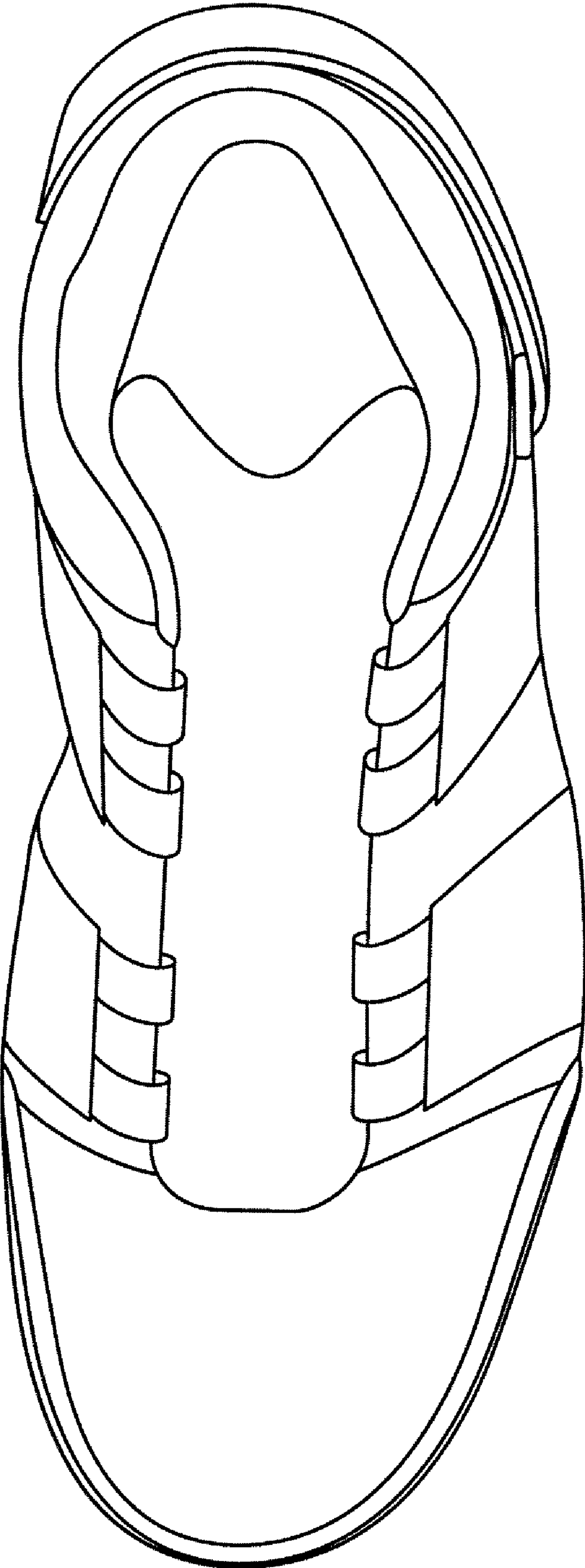


FIG. 6