



US00D572444S

(12) **United States Design Patent**
He

(10) **Patent No.:** **US D572,444 S**

(45) **Date of Patent:** **** Jul. 8, 2008**

(54) **HIGH HEEL SHOE**

(75) Inventor: **Qimei He**, El Monte, CA (US)

(73) Assignee: **Robert L. Goldman**, Los Angeles, CA (US)

(**) Term: **14 Years**

(21) Appl. No.: **29/285,622**

(22) Filed: **Apr. 3, 2007**

(51) **LOC (8) Cl.** **02-04**

(52) **U.S. Cl.** **D2/930; D2/925**

(58) **Field of Classification Search** D2/916-918,
D2/925-945, 971, 964, 965, 969; 36/1, 11.5,
36/9 R

See application file for complete search history.

(56) **References Cited**

U.S. PATENT DOCUMENTS

D102,140 S * 12/1936 Miller D2/930

D102,330 S * 12/1936 Kean D2/930

D102,622 S * 1/1937 Odencrants D2/931

D103,311 S * 2/1937 Elkin D2/932

D523,613 S * 6/2006 Weitzman D2/925

* cited by examiner

Primary Examiner—Dominic Simone

(57) **CLAIM**

The ornamental design for a high heel shoe, as shown and described.

DESCRIPTION

FIG. 1 is a perspective view of a high heel shoe showing my new design;

FIG. 2 is a first side elevational view thereof;

FIG. 3 is a second side elevational view thereof;

FIG. 4 is a top plan view thereof;

FIG. 5 is a bottom plan view thereof;

FIG. 6 is a front elevational view thereof; and,

FIG. 7 is a rear elevational view thereof.

1 Claim, 4 Drawing Sheets





FIG. 1

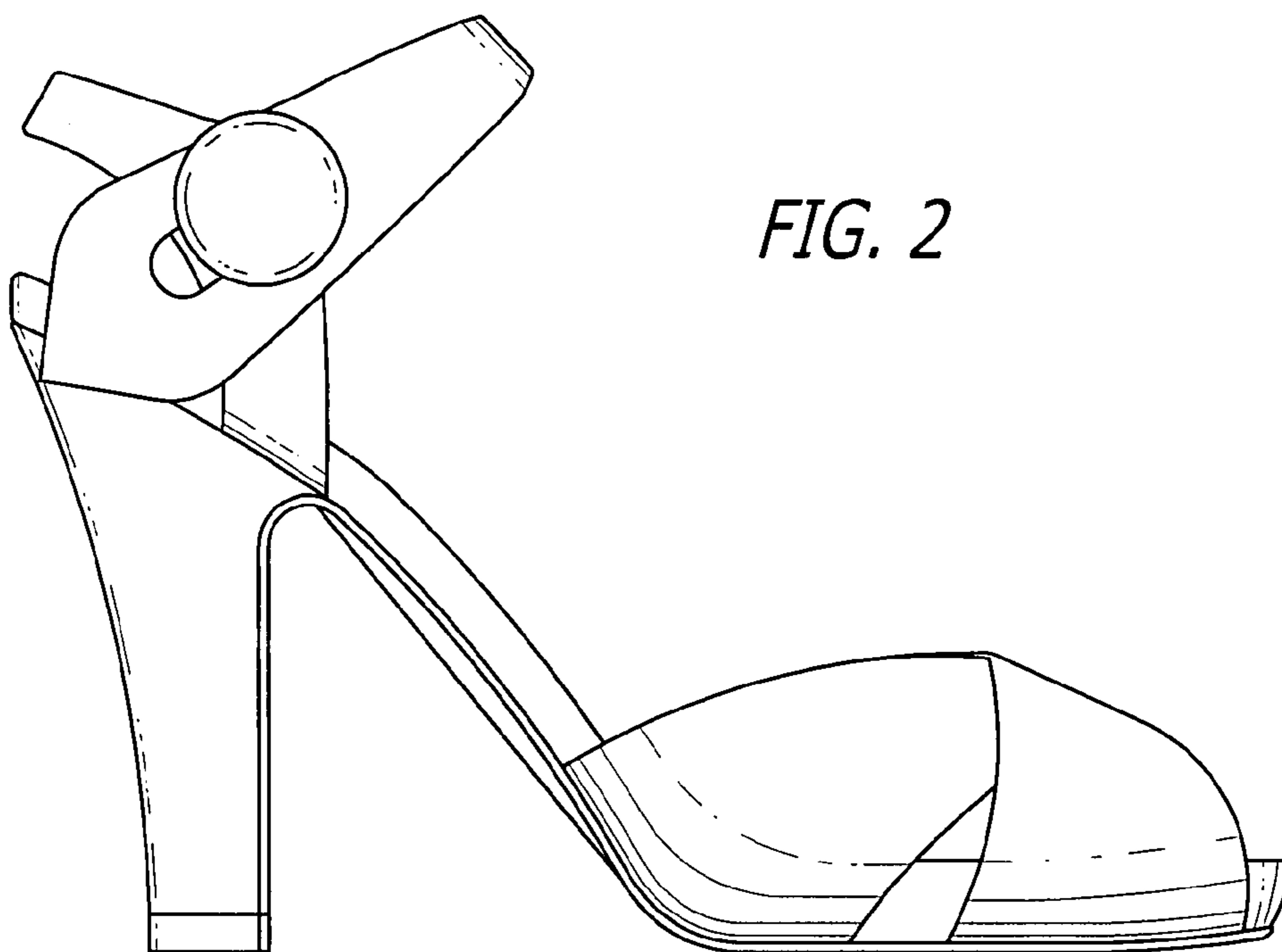


FIG. 2

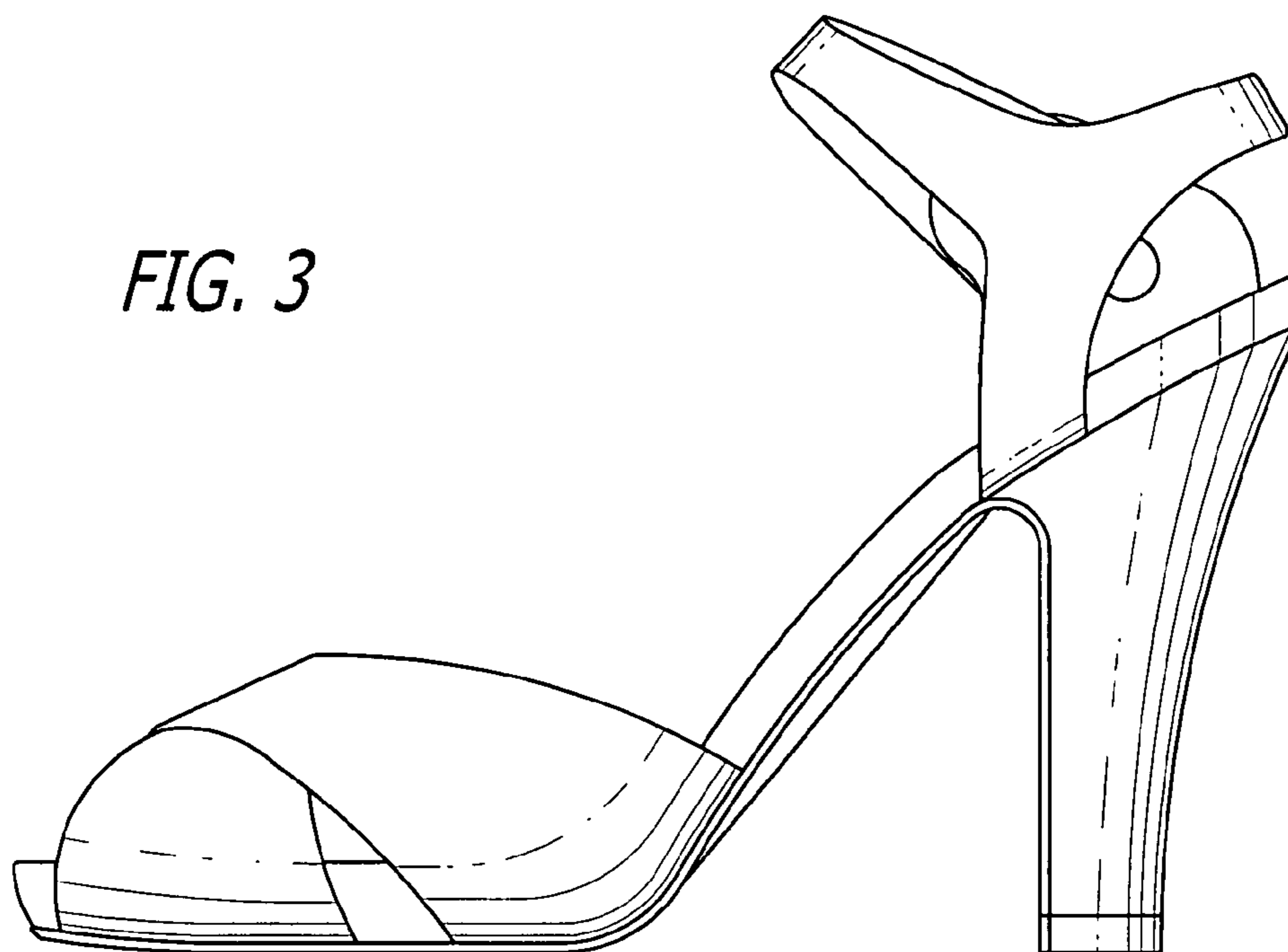


FIG. 3

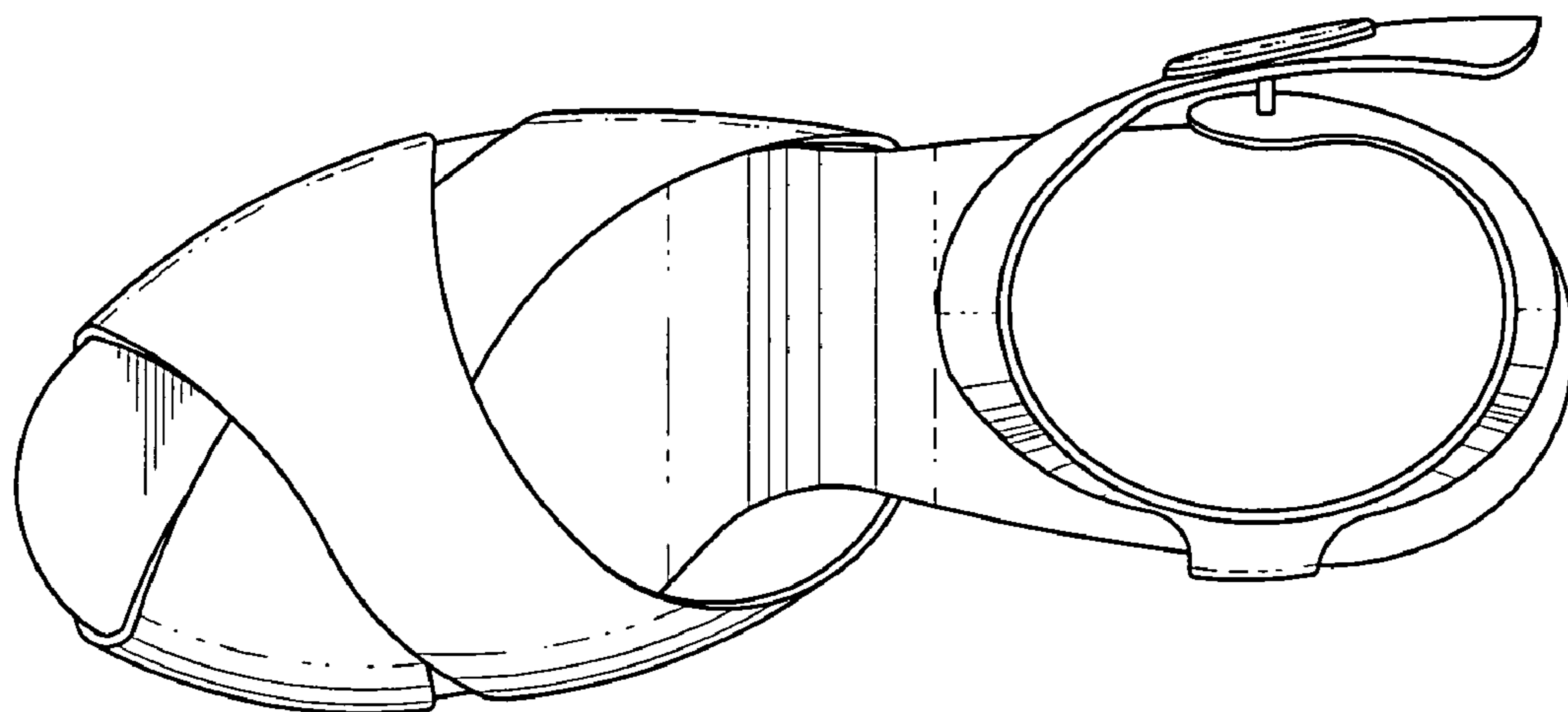


FIG. 4

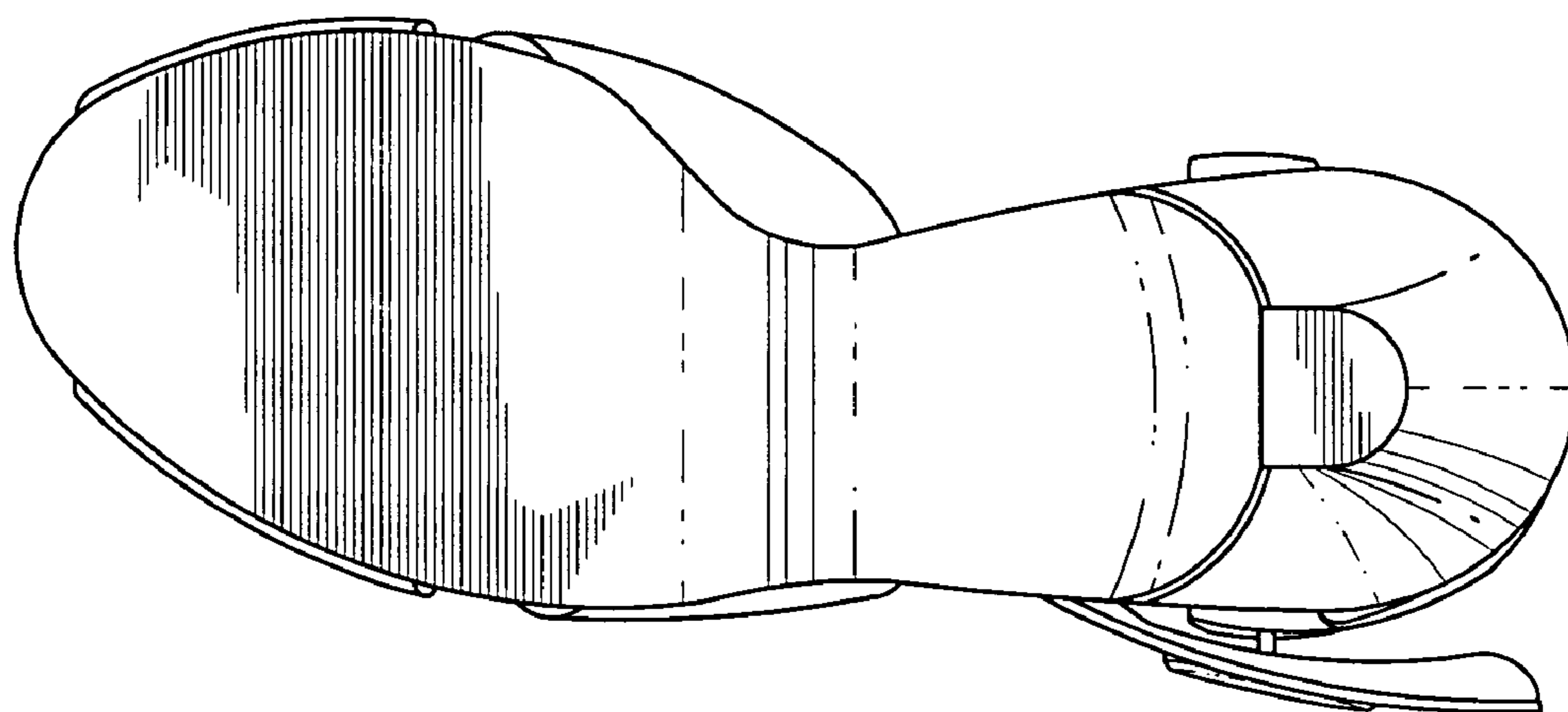


FIG. 5

FIG. 6

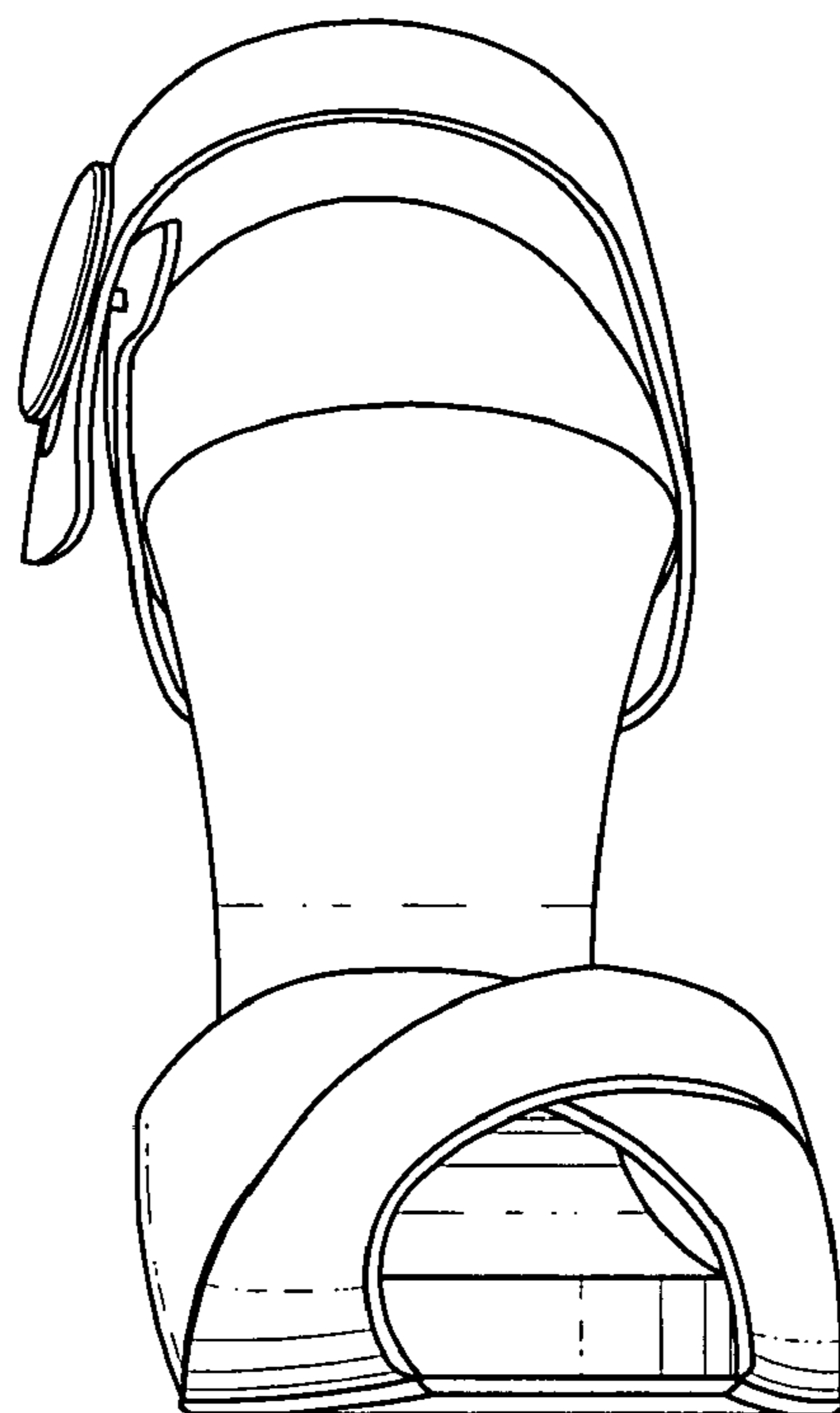


FIG. 7

