



US00D572439S

(12) **United States Design Patent**
Chun

(10) **Patent No.:** **US D572,439 S**

(45) **Date of Patent:** **** Jul. 8, 2008**

(54) **REAR PANEL FOR A PONYTAIL CAP**

(76) Inventor: **Liberty Suechong Chun**, 5070 Likini St., Apt. 1012, Honolulu, HI (US) 96818

(**) Term: **14 Years**

(21) Appl. No.: **29/291,595**

(22) Filed: **Sep. 5, 2007**

Related U.S. Application Data

(62) Division of application No. 29/273,112, filed on Feb. 22, 2007, now Pat. No. Des. 555,331.

(51) **LOC (8) Cl.** **02-03**

(52) **U.S. Cl.** **D2/891**

(58) **Field of Classification Search** None
See application file for complete search history.

(56) **References Cited**

U.S. PATENT DOCUMENTS

3,933,872	A *	1/1976	Hartlage	562/621
5,170,509	A *	12/1992	Leopold	2/195.1
5,539,929	A *	7/1996	Revson	2/195.1
D374,548	S *	10/1996	Hartland	D2/884
D391,674	S *	3/1998	Meehan	D28/41
D406,189	S *	3/1999	Hosogai	D2/882
D424,282	S *	5/2000	Crompton et al.	D2/876
2002/0108165	A1 *	8/2002	Porter et al.	2/195.2
2003/0106134	A1 *	6/2003	Kim	2/171
2006/0010566	A1 *	1/2006	Ridgeway	2/171

OTHER PUBLICATIONS

The Original Scrunchie Cap. #SCR100, as shown on www.adamsheadwear.com, dated Feb. 26, 2002 (2 pages).*

* cited by examiner

Primary Examiner—Elizabeth A. Albert
Assistant Examiner—Karen E Eldridge Powers
(74) *Attorney, Agent, or Firm*—Peter Chin

(57) **CLAIM**

The ornamental design for a rear panel for a ponytail cap, as shown and described.

DESCRIPTION

FIG. 1 is a perspective view of a rear panel for a ponytail cap showing my new design;

FIG. 2 is a rear view of FIG. 1;

FIG. 3 is an inside elevational view of one of the straps shown in FIG. 1 in an uncontracted condition; and,

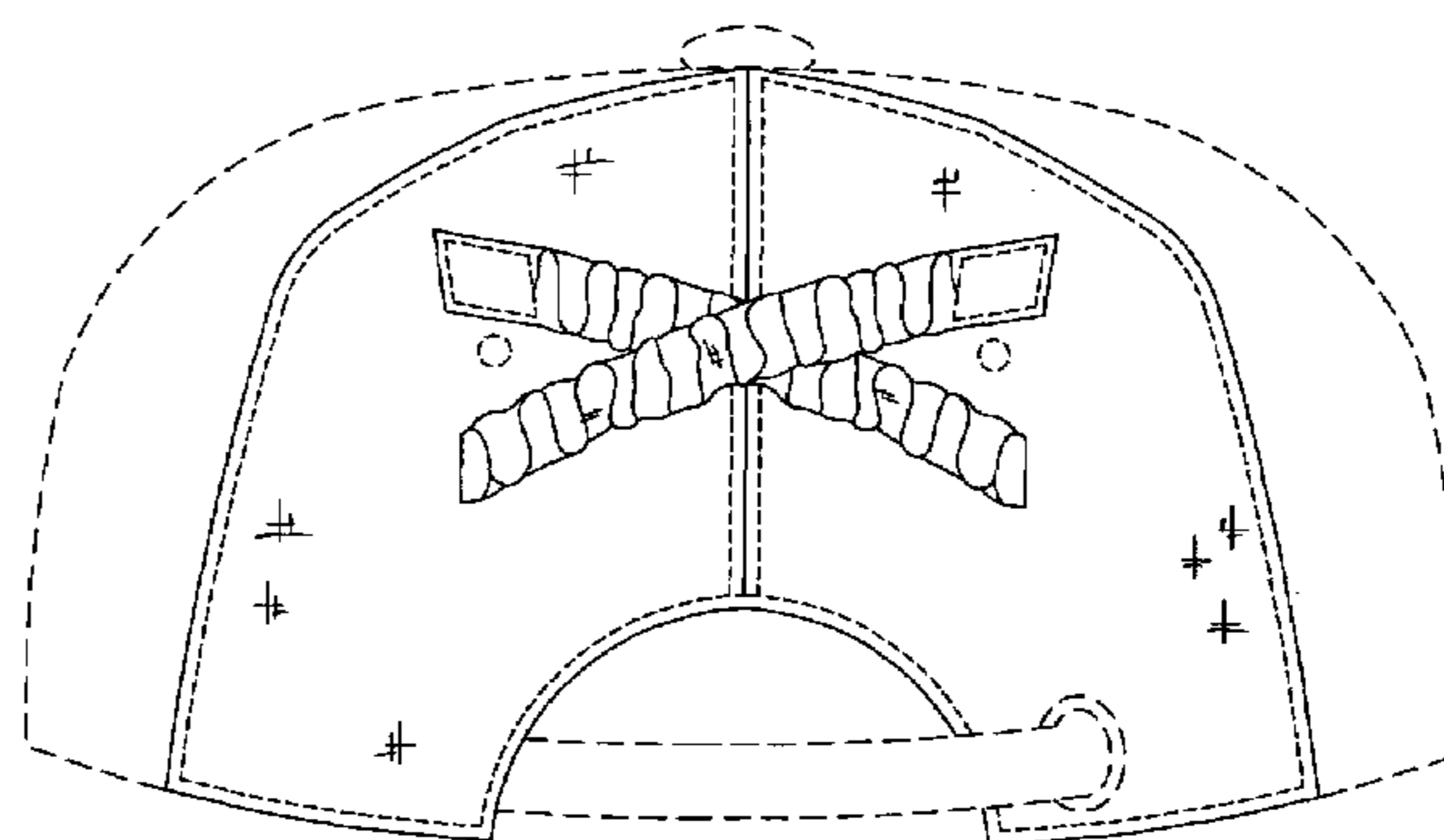
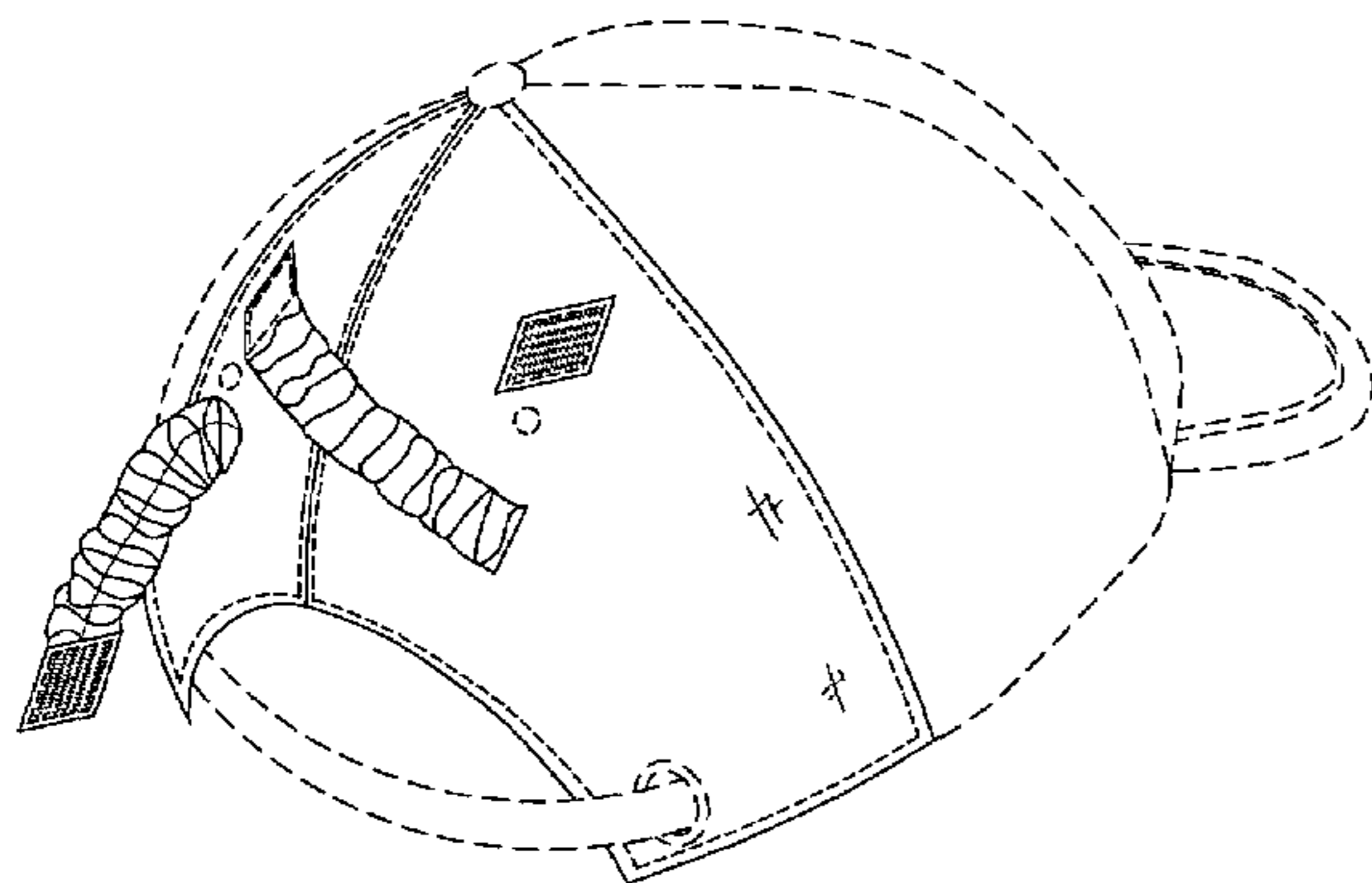
FIG. 4 is a side elevational view of one of the straps shown in FIG. 1 in a contracted condition.

With the exception of the broken lines occurring inside and adjacent to the gore seams and the rear opening, as well as on the strap, all of which is meant to represent stitching, the matter rendered in broken lines is included for ease of illustration and forms no part of the claimed design.

The crosshatched pattern, although shown intermittently, is meant to represent fabric, and is understood to be distributed uniformly over the surfaces of the claimed design.

The lined rectangular shapes shown on the cap in FIGS. 1, 3, and 4 represent hook and loop fasteners.

1 Claim, 2 Drawing Sheets



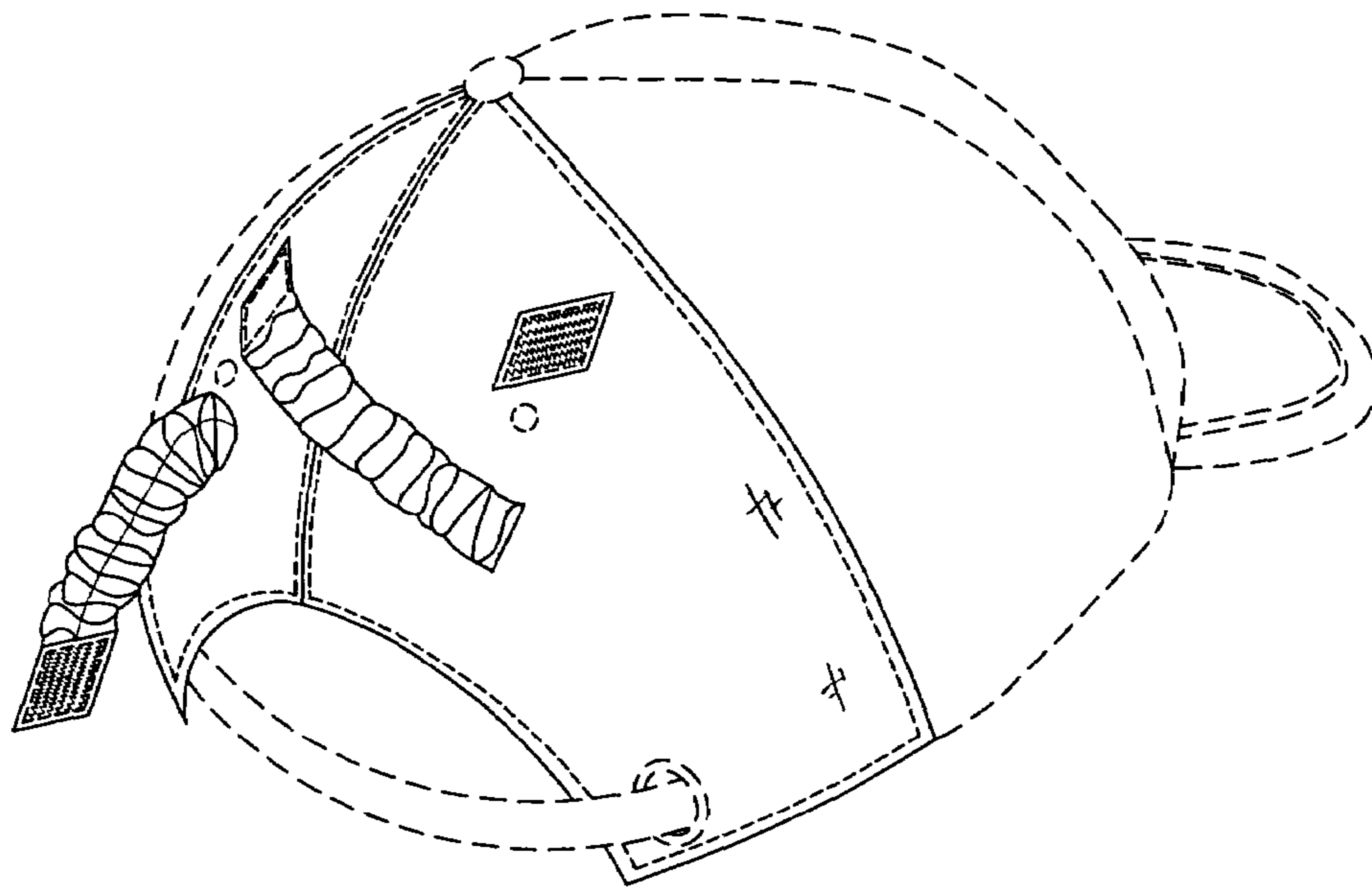


FIG. 1

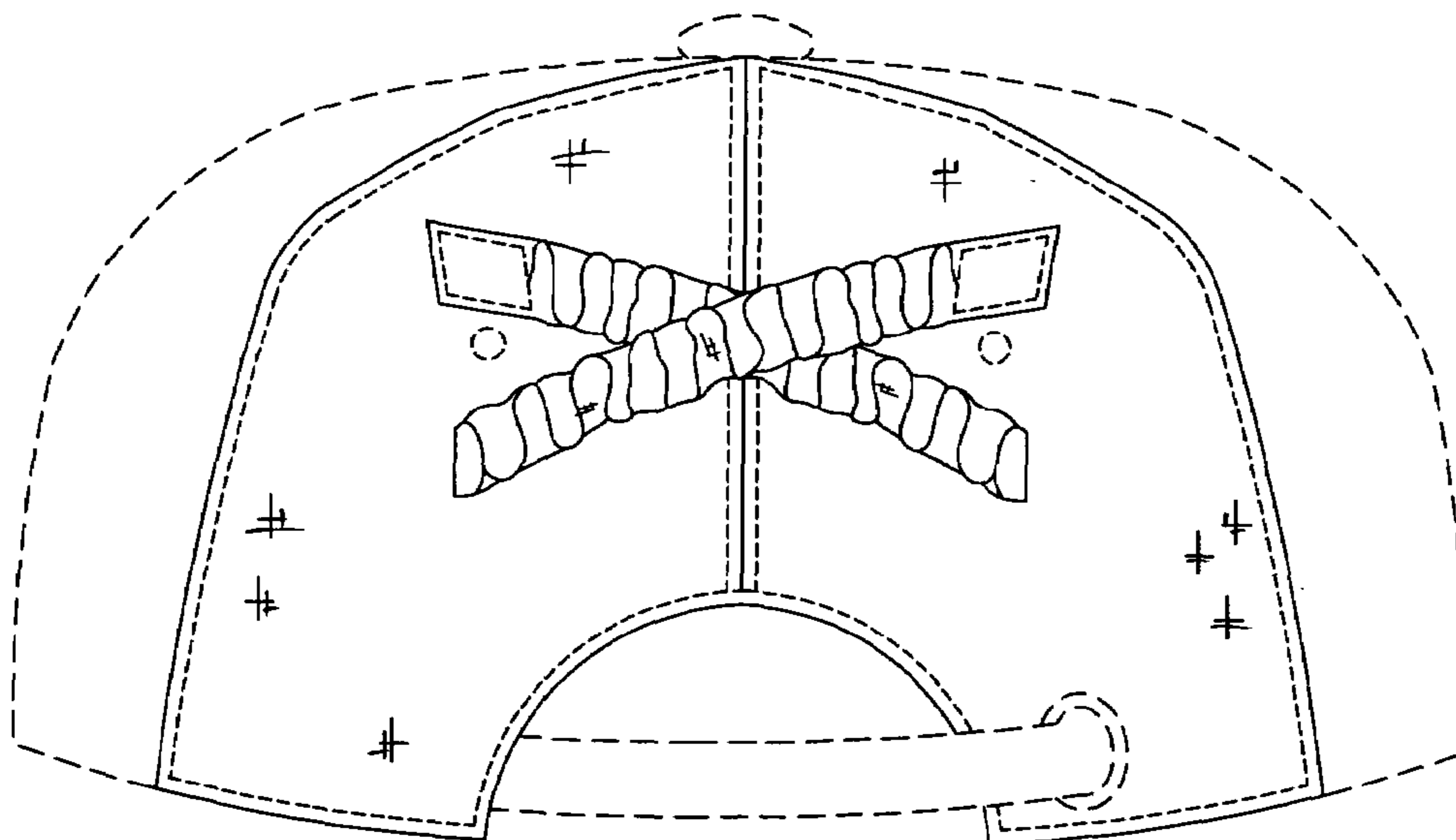


FIG. 2

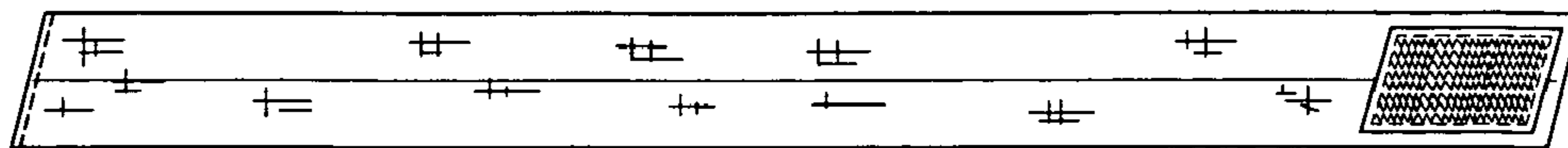


FIG. 3



FIG. 4