



US00D572438S

(12) **United States Design Patent**
Chun

(10) **Patent No.:** **US D572,438 S**
(45) **Date of Patent:** **** Jul. 8, 2008**

(54) **REAR PANEL WITH HAIRNET FOR PONYTAIL CAP**

(76) Inventor: **Liberty Suechong Chun**, 5070 Likini St., Apt. 1012, Honolulu, HI (US) 96818

(**) Term: **14 Years**

(21) Appl. No.: **29/273,117**

(22) Filed: **Feb. 22, 2007**

(51) **LOC (8) Cl.** **02-03**

(52) **U.S. Cl.** **D2/883**

(58) **Field of Classification Search** D2/865-866,
D2/871-873, 875-876, 879, 882, 884, 893;
2/65, 171, 171.1, 175.1, 183, 184, 195.1-4,
2/200.1, 209.11-13, 209.3, 209.5, 209.7;
362/106

See application file for complete search history.

(56) **References Cited**

U.S. PATENT DOCUMENTS

D133,490	S	*	8/1942	Burns	D2/867
2,295,826	A	*	9/1942	Brav	2/172
D135,323	S	*	3/1943	Liberatore	D2/883
D160,404	S	*	10/1950	Levine	D2/866
2,615,168	A		10/1952	Tannenbaum		
5,539,929	A	*	7/1996	Revson	2/195.1
5,644,799	A	*	7/1997	Armenta et al.	2/209.13
D385,658	S		10/1997	Brandenburg		
D396,943	S	*	8/1998	Dunlavey	D2/882
5,933,872	A	*	8/1999	Lema	2/209.7
5,996,124	A	*	12/1999	Asp, Jr.	2/209.13
D424,282	S	*	5/2000	Crumpton et al.	D2/876
6,131,201	A	*	10/2000	Chu	2/172
6,256,796	B1	*	7/2001	Fleming	2/209.13
D450,173	S	*	11/2001	Allen	D2/866
6,560,785	B1	*	5/2003	Taguchi	2/171.1

D504,003	S	*	4/2005	Lee	D2/882
D532,185	S	*	11/2006	St-Germain	D2/866
D534,347	S	*	1/2007	Prentice	D3/238
2006/0206984	A1	*	9/2006	Jaye et al.	2/209.3

FOREIGN PATENT DOCUMENTS

GB 2100049 * 3/2001

* cited by examiner

Primary Examiner—Elizabeth A. Albert
Assistant Examiner—Karen E Eldridge Powers
(74) *Attorney, Agent, or Firm*—Peter Chin

(57) **CLAIM**

The ornamental design for a rear panel with hairnet for ponytail cap, as shown and described.

DESCRIPTION

FIG. 1 is a front view of a rear panel with hairnet for ponytail cap showing my new design with the net within the net pocket. The broken lines of the side panels are for illustrative purposes only and form no part of the claimed design;

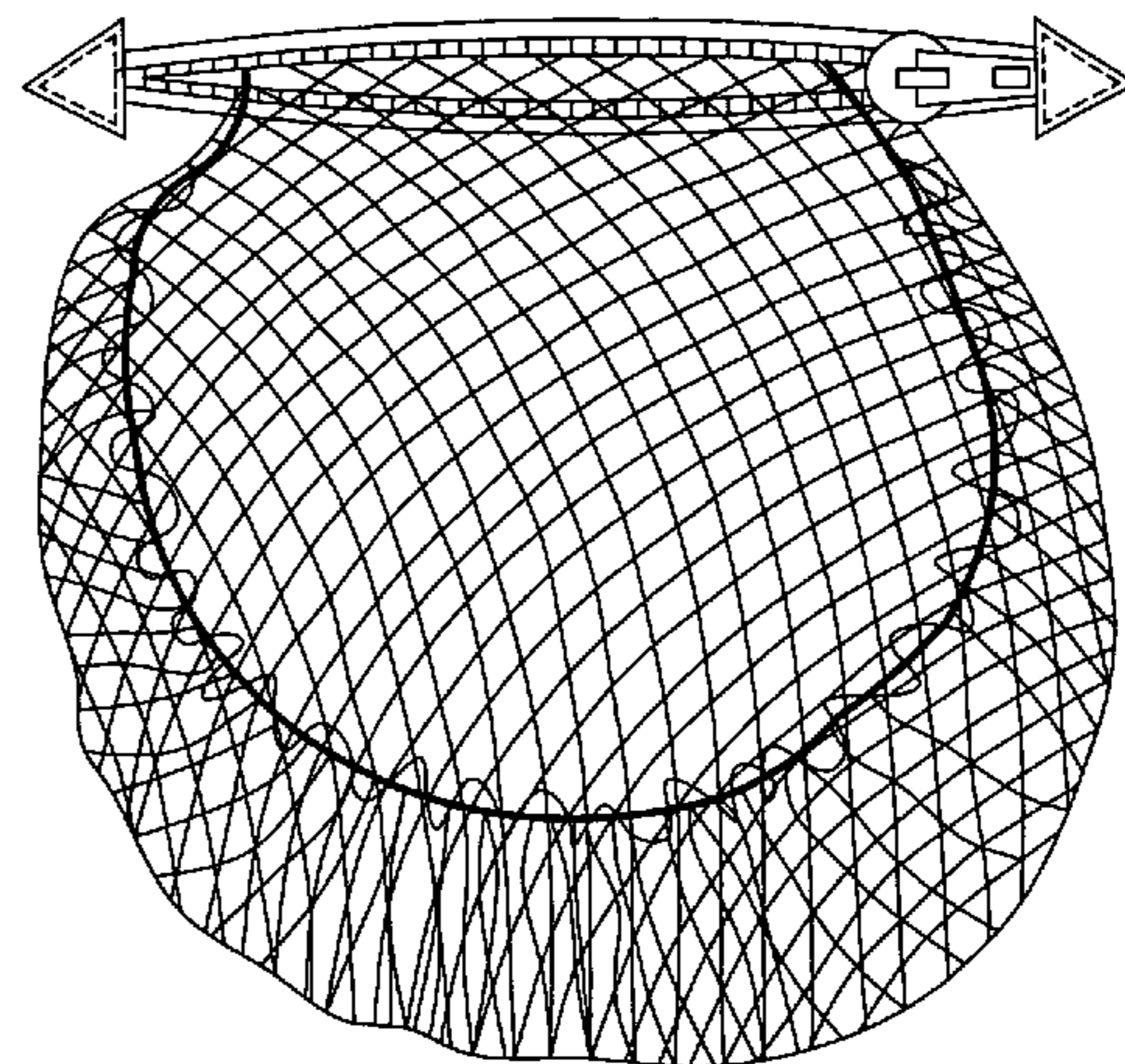
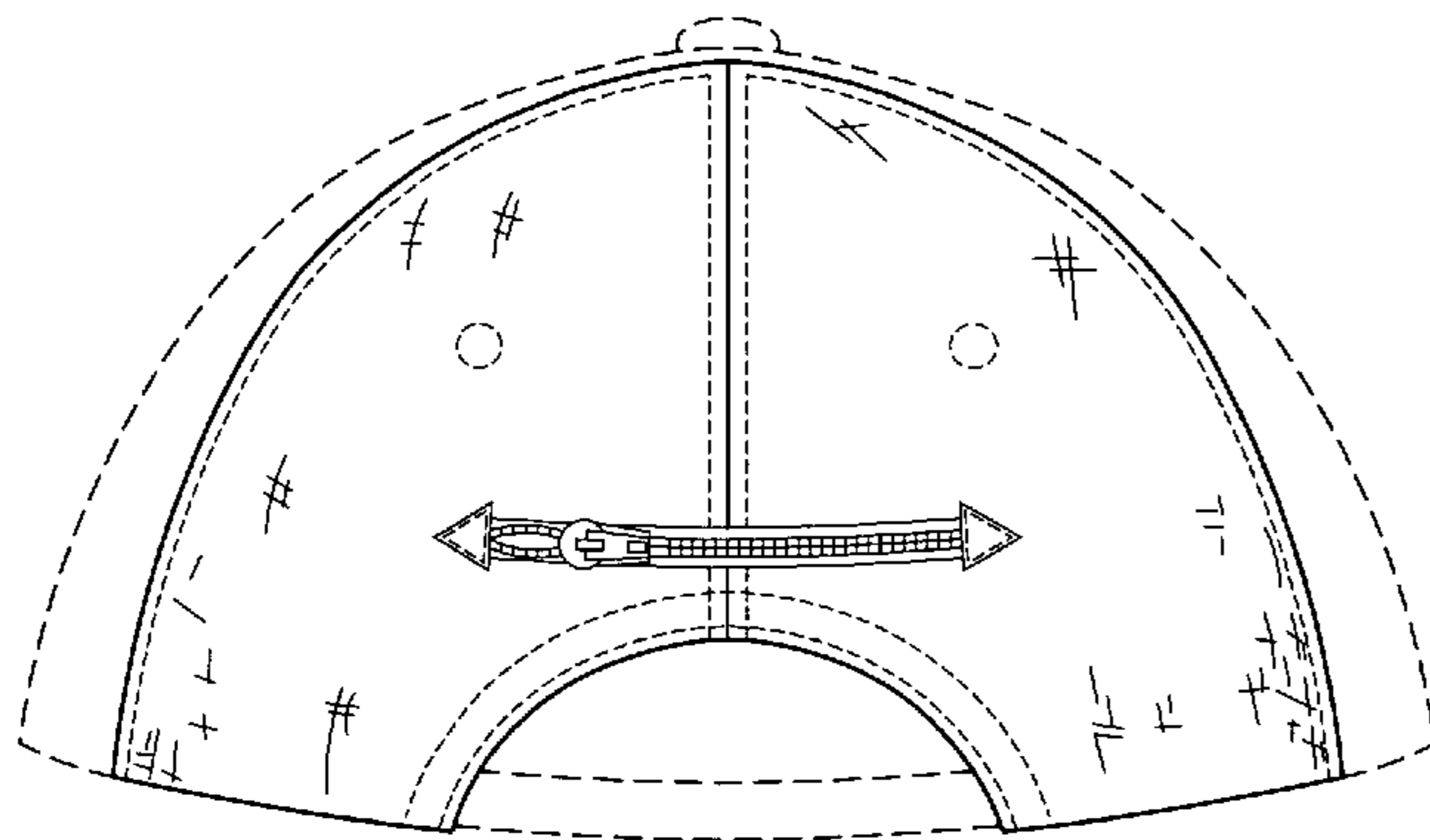
FIG. 2 is an enlarged front view of the hairnet portion,

FIG. 3 is a side perspective view thereof with the net disposed outside of the cap, the broken lines of the front and side portion of the cap are for illustrative purposes only and form no part of the claimed design; and,

FIG. 4 is an interior view of the cap thereof showing the hairnet pocket. The broken lines of the front and side portion of the cap, the interior bias tapes, and the center button are for illustrative purposes only and form no part of the claimed design.

The broken lines inside of the claimed panel for ponytail cap represent stitching.

1 Claim, 4 Drawing Sheets



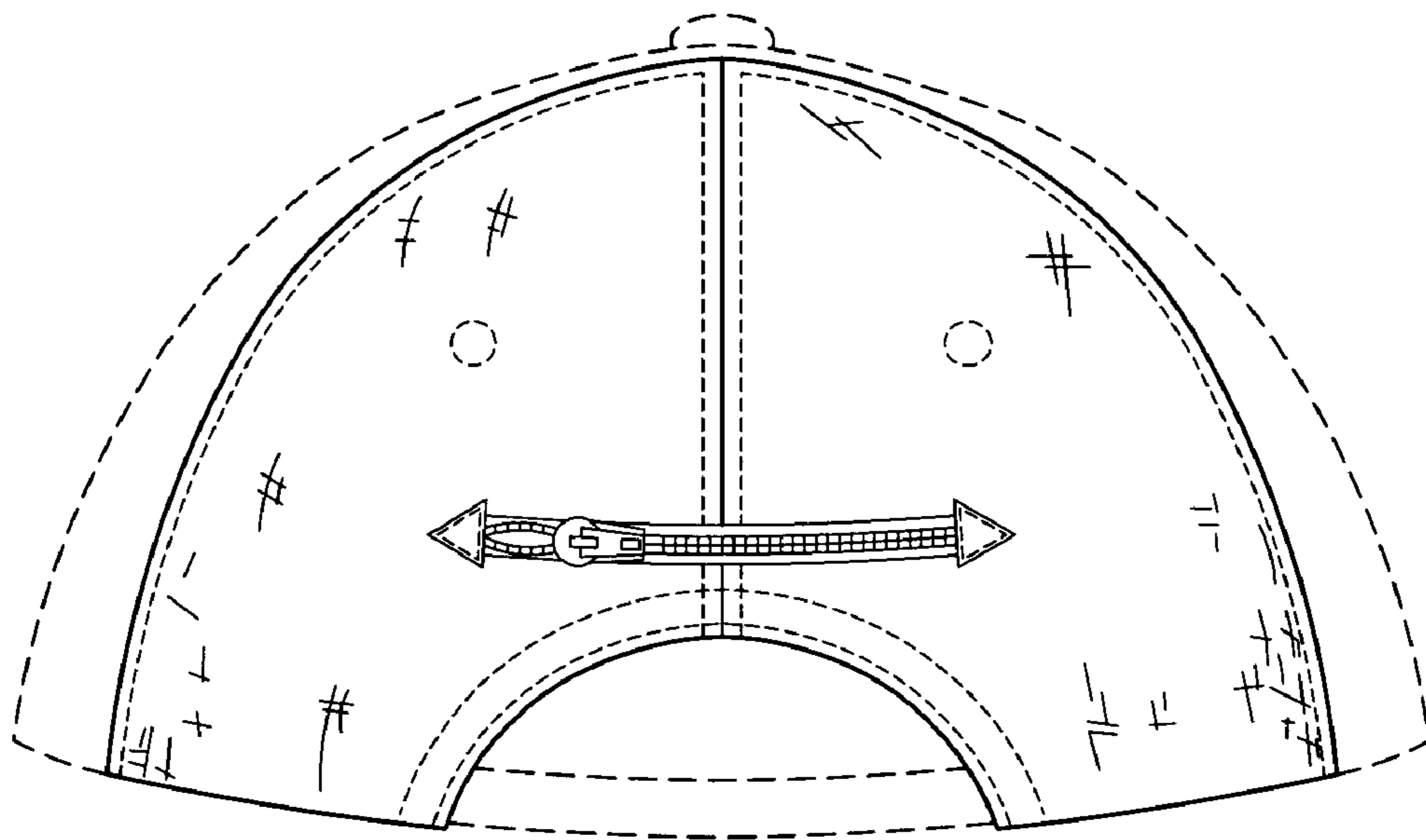


FIG. 1

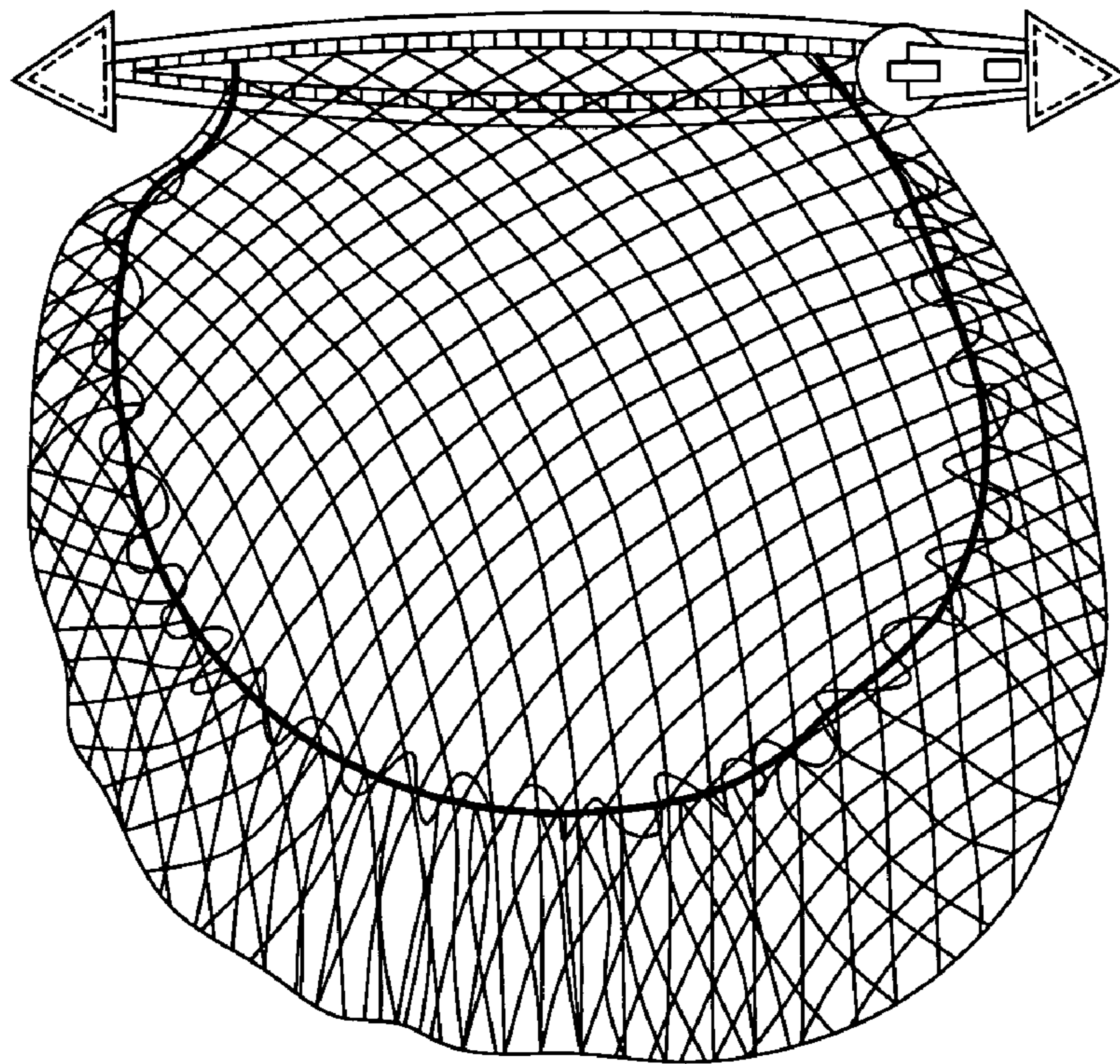


FIG. 2

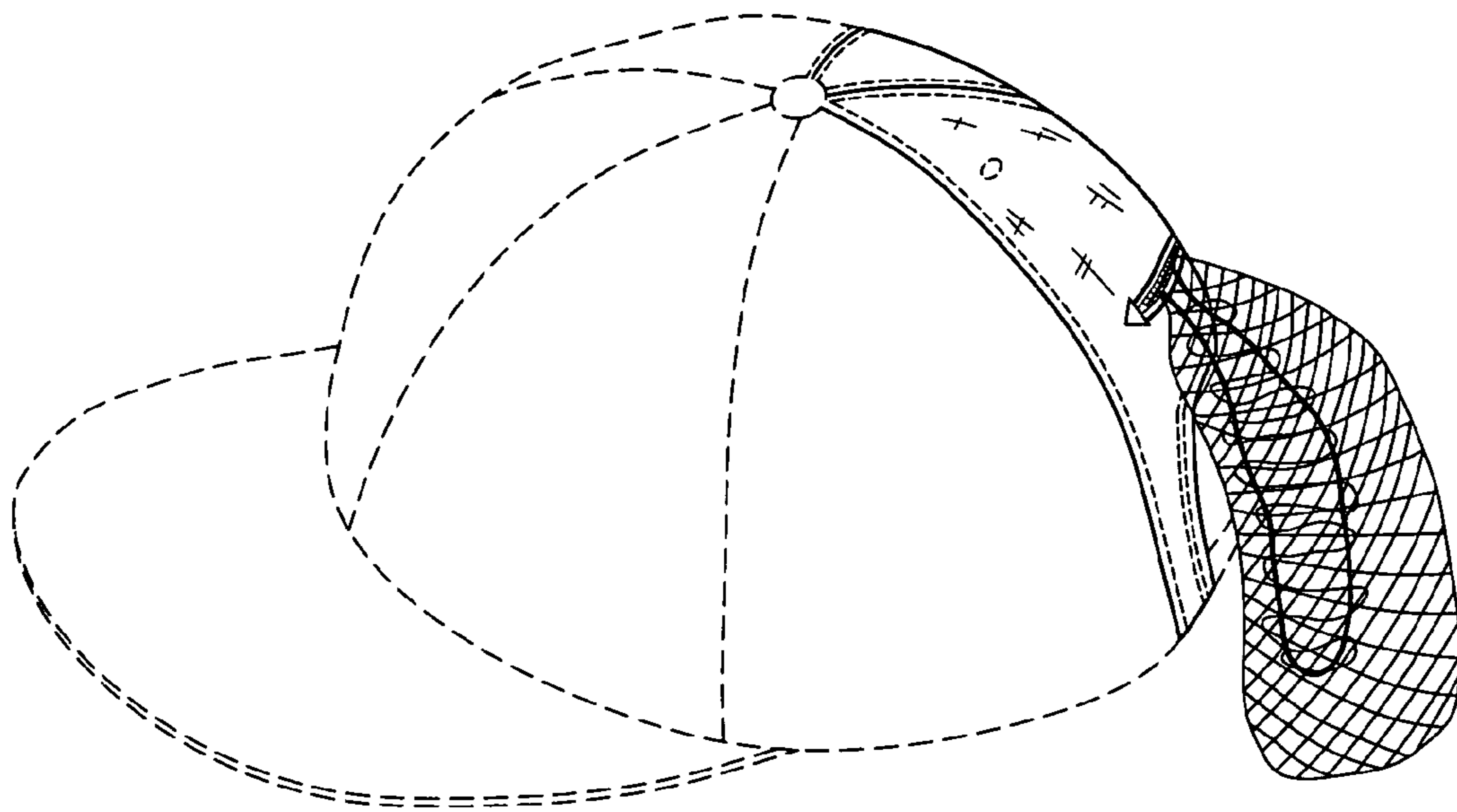


FIG. 3

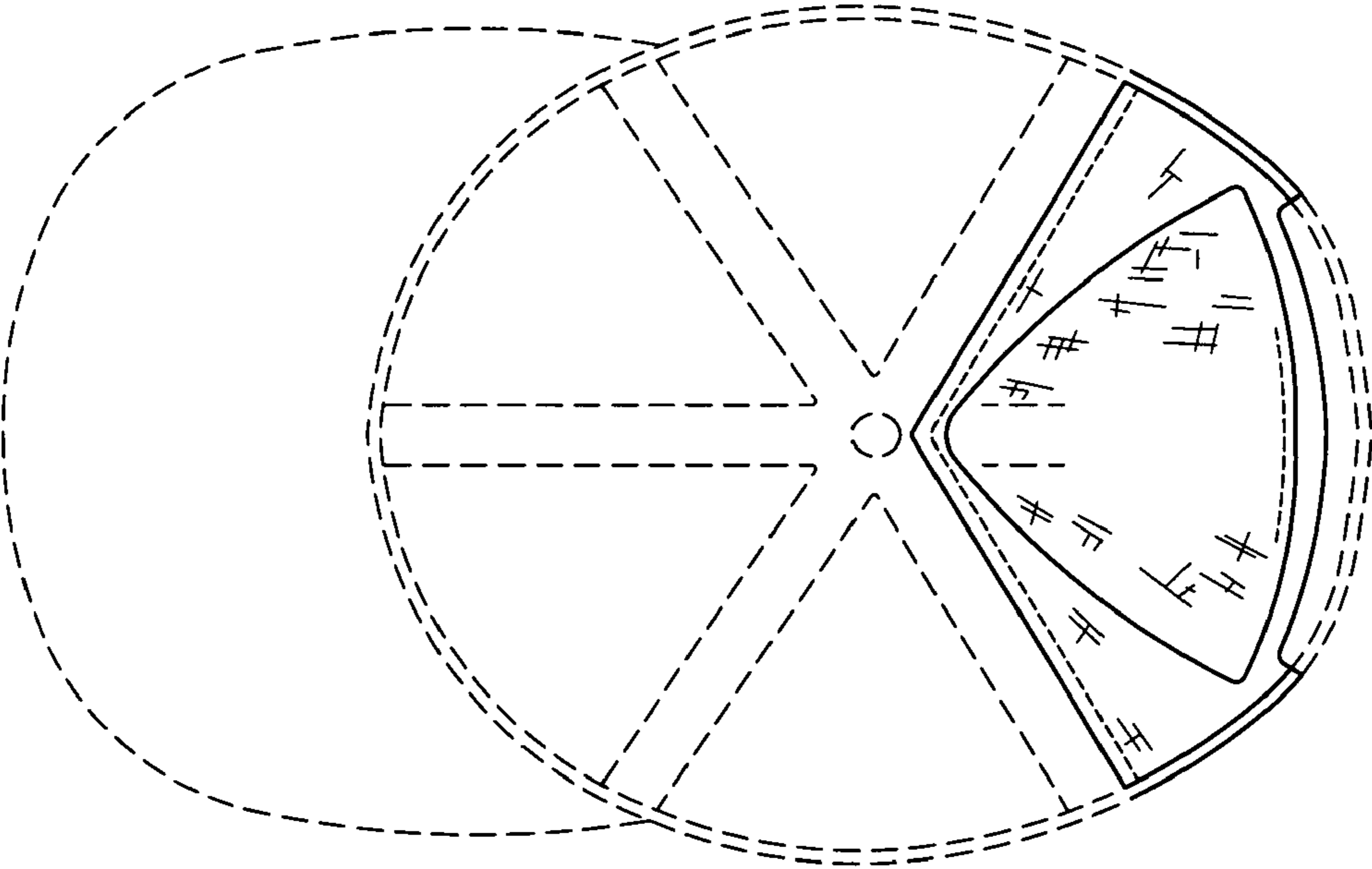


FIG. 4