



US00D572425S

(12) **United States Design Patent**  
**Themistos**

(10) **Patent No.:** **US D572,425 S**  
(45) **Date of Patent:** **\*\* Jul. 1, 2008**

(54) **TRAVEL SAFE**

(76) **Inventor:** **John H. Themistos**, 53 High Pine Cir.,  
East Longmeadow, MA (US) 01028

(\*\*) **Term:** **14 Years**

(21) **Appl. No.:** **29/249,997**

(22) **Filed:** **Oct. 30, 2006**

(51) **LOC (8) Cl.** ..... **06-04**

(52) **U.S. Cl.** ..... **D99/28**

(58) **Field of Classification Search** ..... D99/28,  
D99/34-43, 99; D18/3.1-3.3; D14/385,  
D14/448, 173, 307, 901, 146, 144, 151; 235/375-381;  
705/35, 43; 109/2, 24.1, 50, 53, 66, 83; 106/644;  
52/659, 73; 902/8, 21, 30; 340/5.41; 348/150;  
D20/1, 2; D25/16; 361/681, 683, 686, 687,  
361/694; D6/573, 634; D3/201, 291, 294,  
D3/276, 273

See application file for complete search history.

(56) **References Cited**

**U.S. PATENT DOCUMENTS**

D236,291 S *	8/1975	Schurman	.....	D6/632
D266,114 S *	9/1982	Berkheij	.....	D99/34
D273,908 S *	5/1984	Hoogeveen	.....	D99/28
D289,582 S *	5/1987	Brush et al.	.....	D3/281
D291,139 S *	7/1987	Warwicker	.....	D99/28
D371,906 S *	7/1996	Peters	.....	D3/281
D374,347 S *	10/1996	Burns et al.	.....	D3/282
D393,526 S *	4/1998	Robey et al.	.....	D99/28
D454,689 S *	3/2002	Gonda et al.	.....	D3/294
D461,617 S *	8/2002	Gardner	.....	D99/28
D474,596 S *	5/2003	Osiecki et al.	.....	D3/273
D482,840 S *	11/2003	Magee et al.	.....	D99/28
D489,158 S *	4/2004	Magee et al.	.....	D99/28
D520,237 S *	5/2006	Cheng	.....	D3/276

D528,735 S *	9/2006	Osiecki et al.	.....	D99/43
D541,045 S *	4/2007	Peart et al.	.....	D3/291
D558,977 S *	1/2008	Peart et al.	.....	D3/294

\* cited by examiner

*Primary Examiner*—Robert M. Spear  
*Assistant Examiner*—Susan E Krakower

(74) *Attorney, Agent, or Firm*—McCormick, Paulding &  
Huber LLP

(57) **CLAIM**

The ornamental design for a travel safe, as shown and  
described.

**DESCRIPTION**

FIG. 1 is a top right perspective view of a travel safe showing  
my new design;

FIG. 2 is a front elevation view thereof;

FIG. 3 is a rear elevation view thereof;

FIG. 4 is a top plan view thereof;

FIG. 5 is a right side view thereof;

FIG. 6 is a bottom plan view thereof;

FIG. 7 is a left side view thereof;

FIG. 8 is a top right perspective view thereof in an open  
position;

FIG. 9 is a front elevation view thereof in an open position;

FIG. 10 is a rear elevation view thereof in an open position;

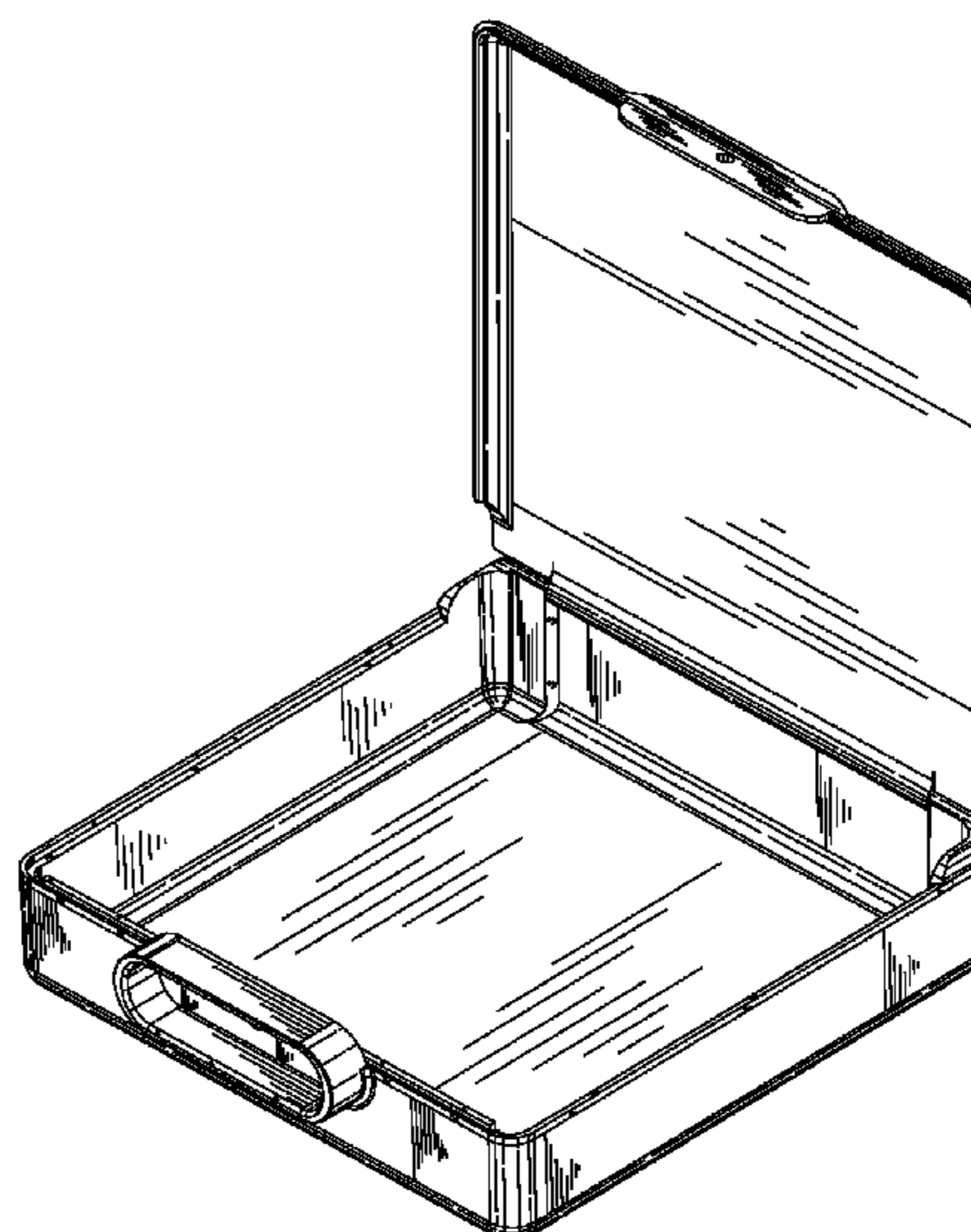
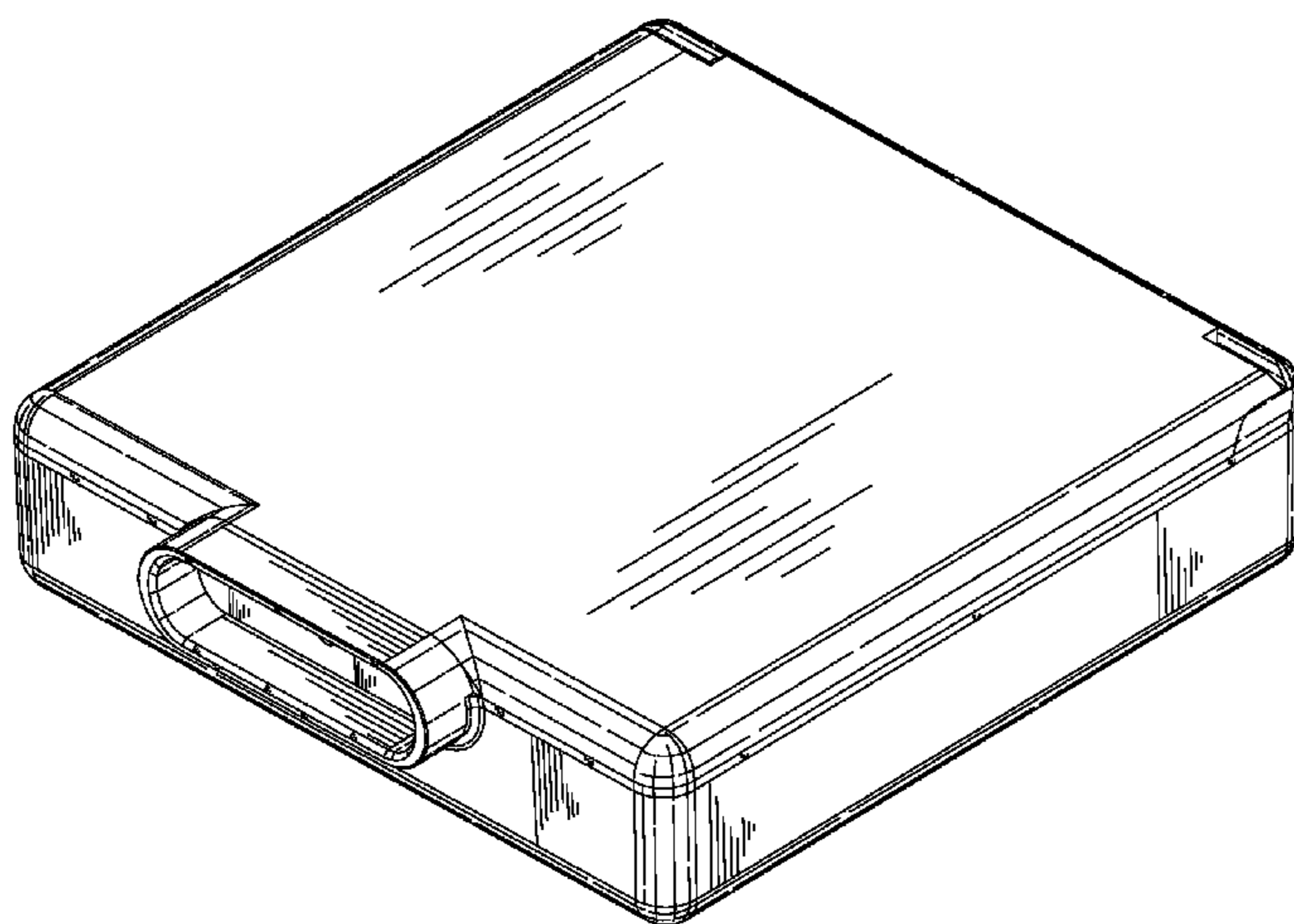
FIG. 11 is a top plan view thereof in an open position;

FIG. 12 is a bottom plan view thereof in an open position;

FIG. 13 is a right side view thereof in an open position; and,

FIG. 14 is a left side view thereof in an open position.

**1 Claim, 6 Drawing Sheets**



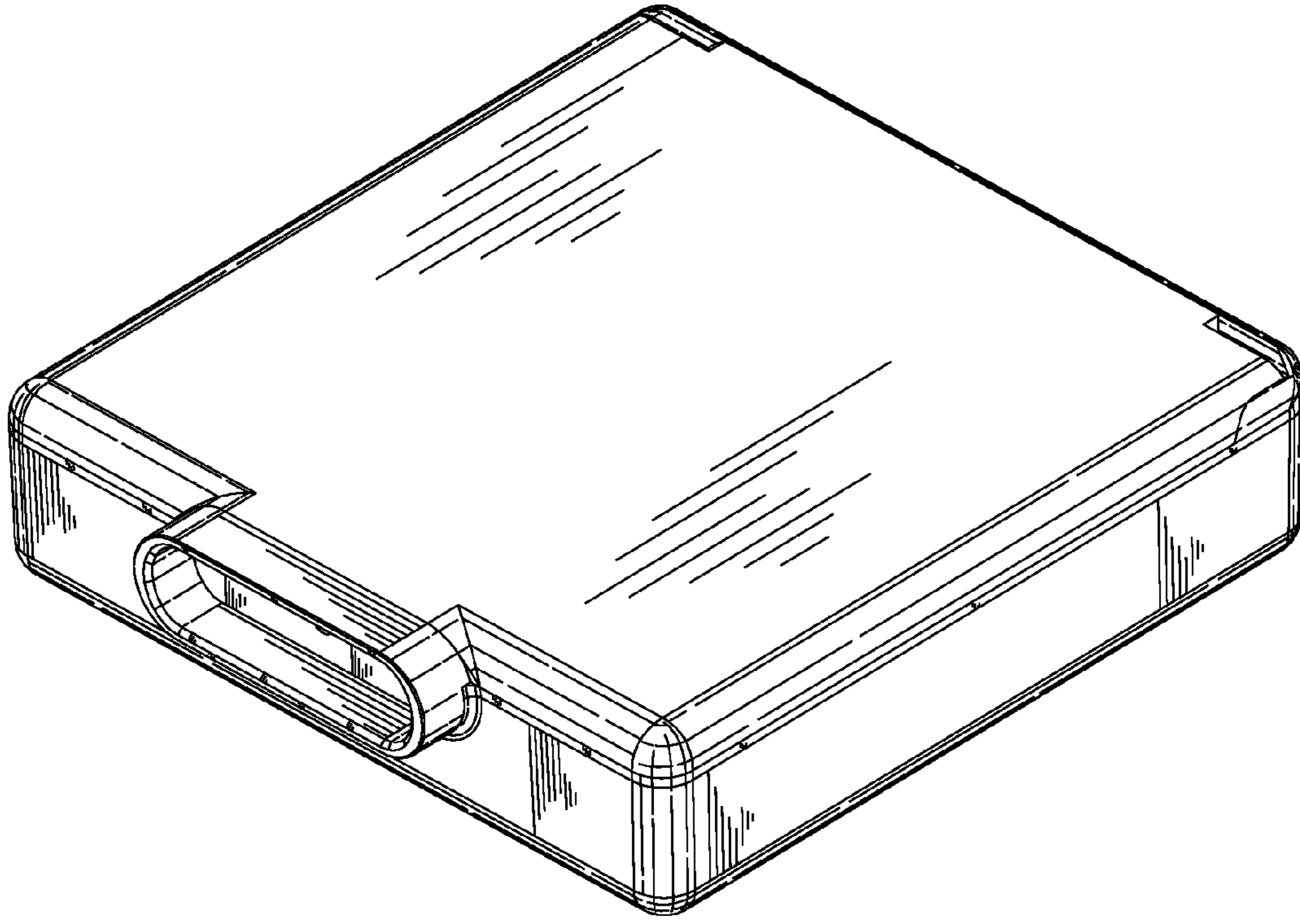


FIG. 1

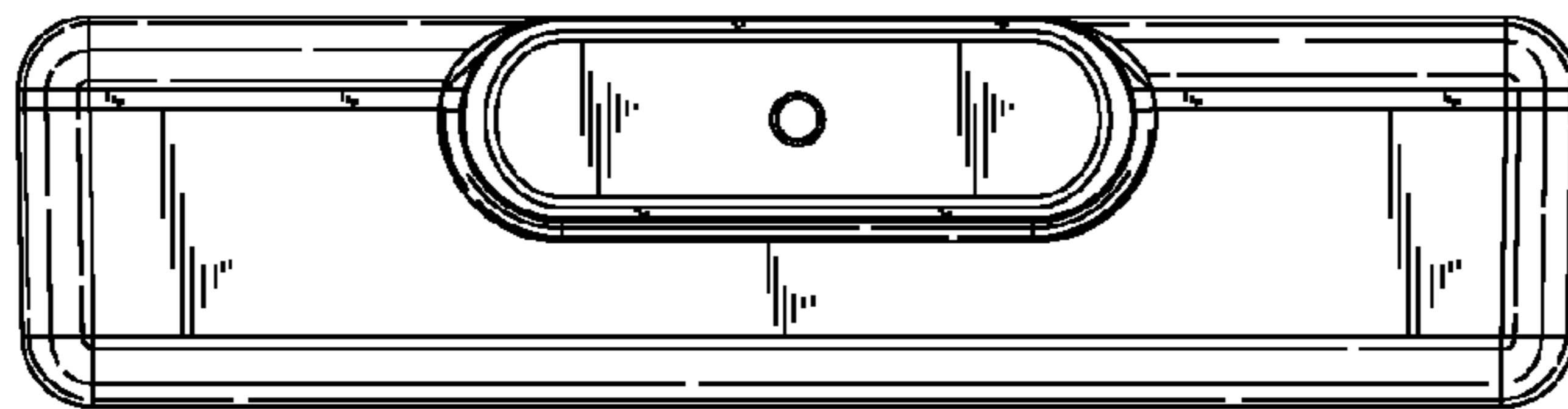


FIG. 2



FIG. 3

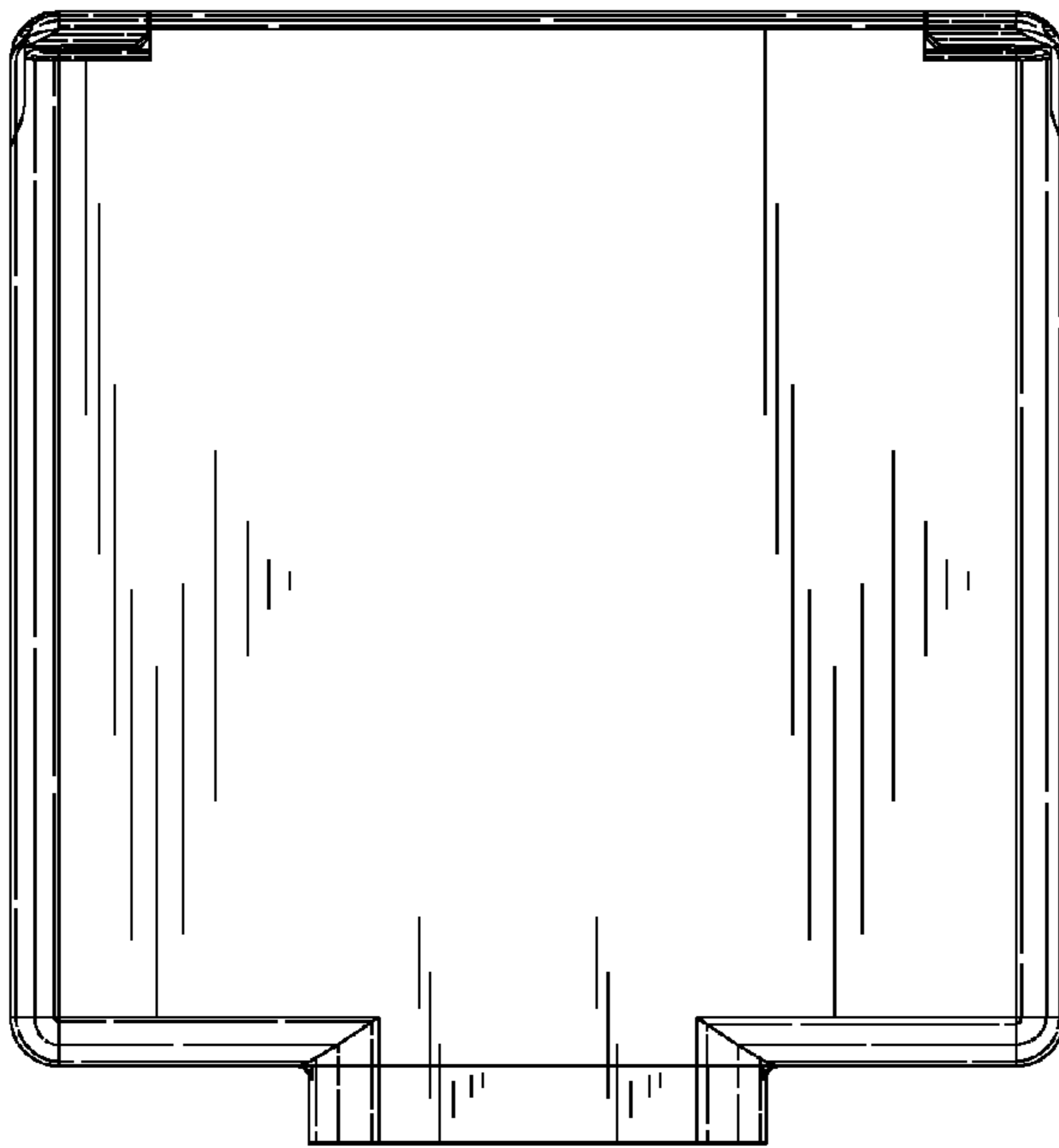


FIG. 4

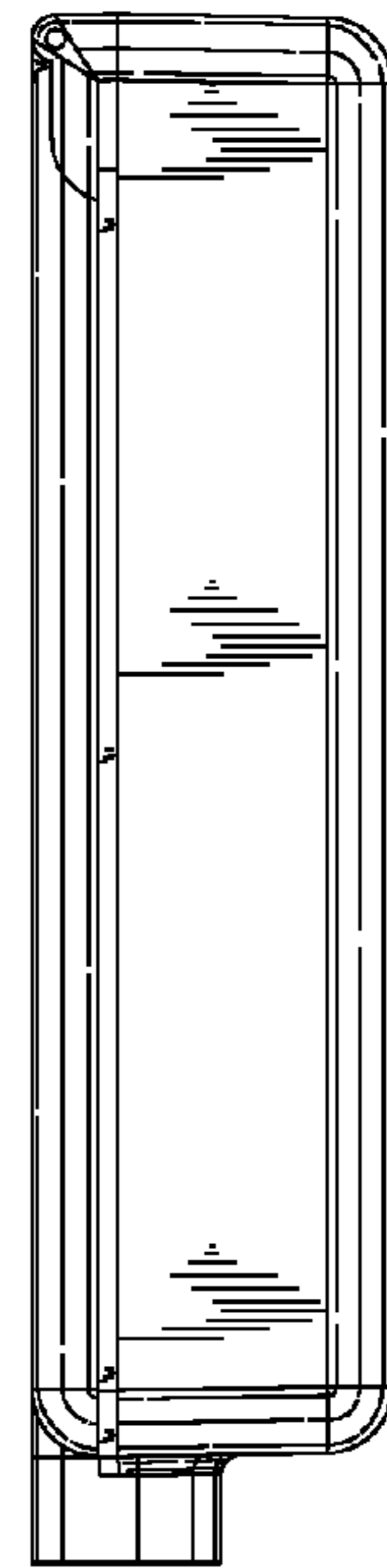


FIG. 5

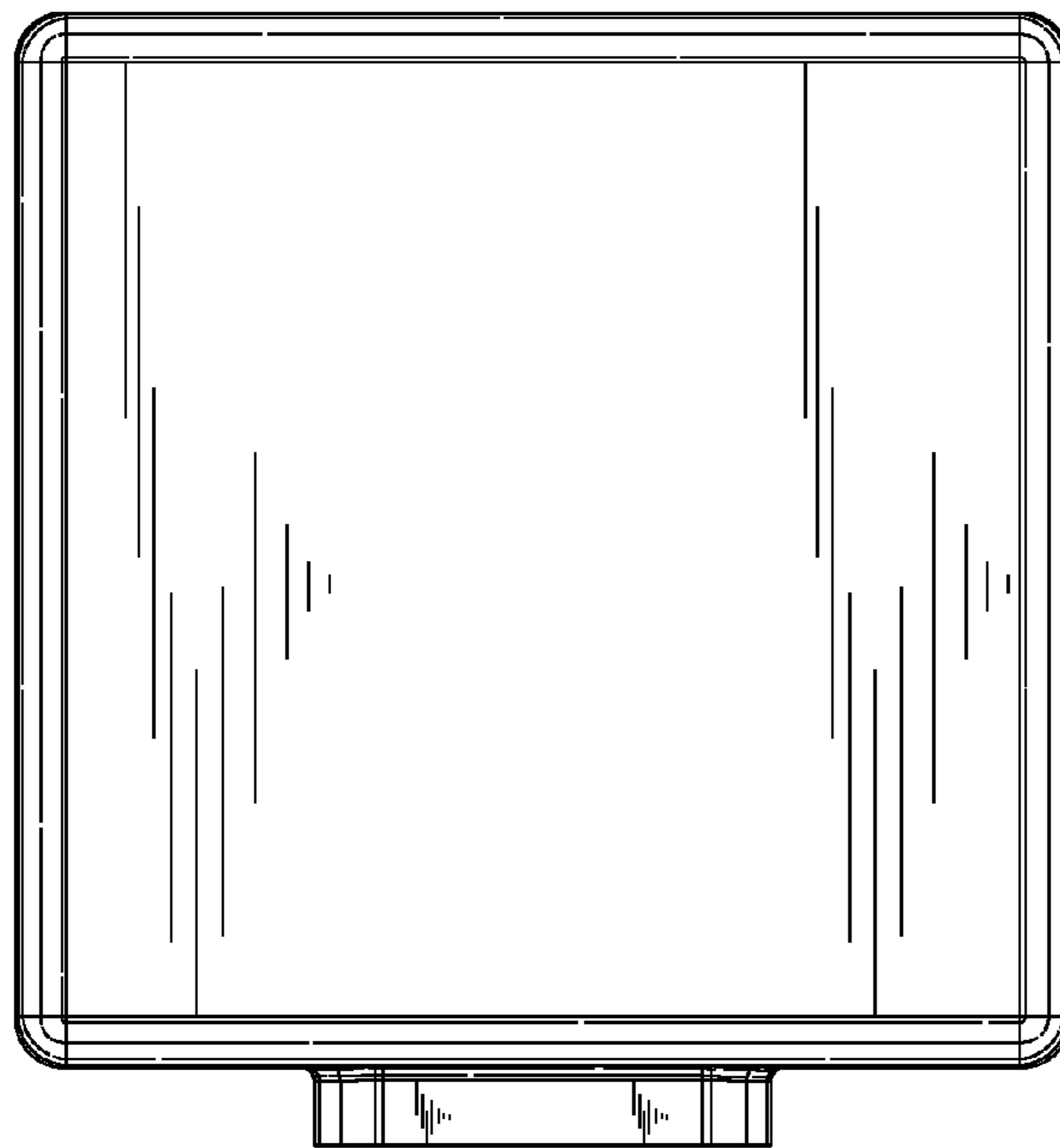


FIG. 6

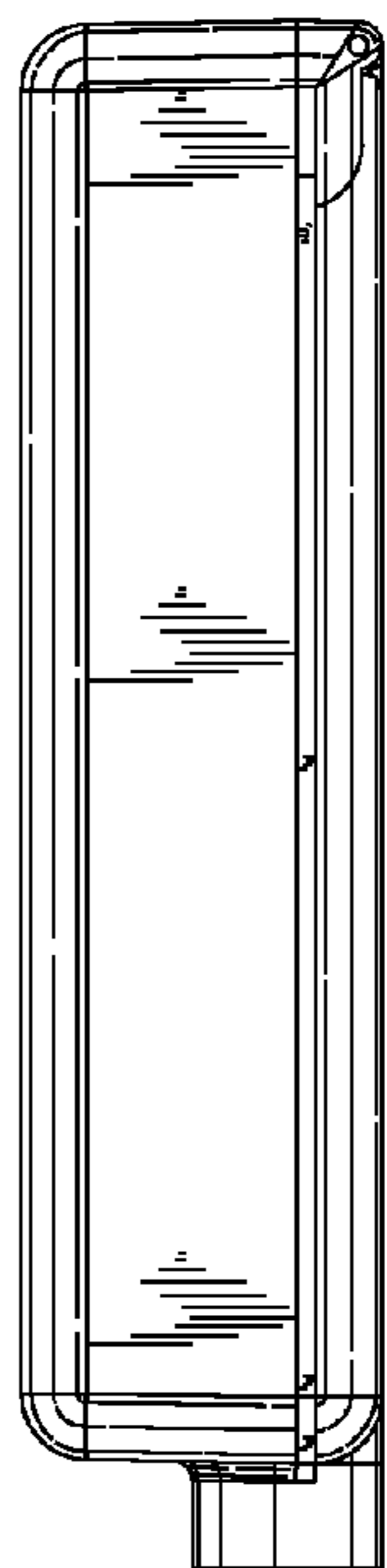


FIG. 7

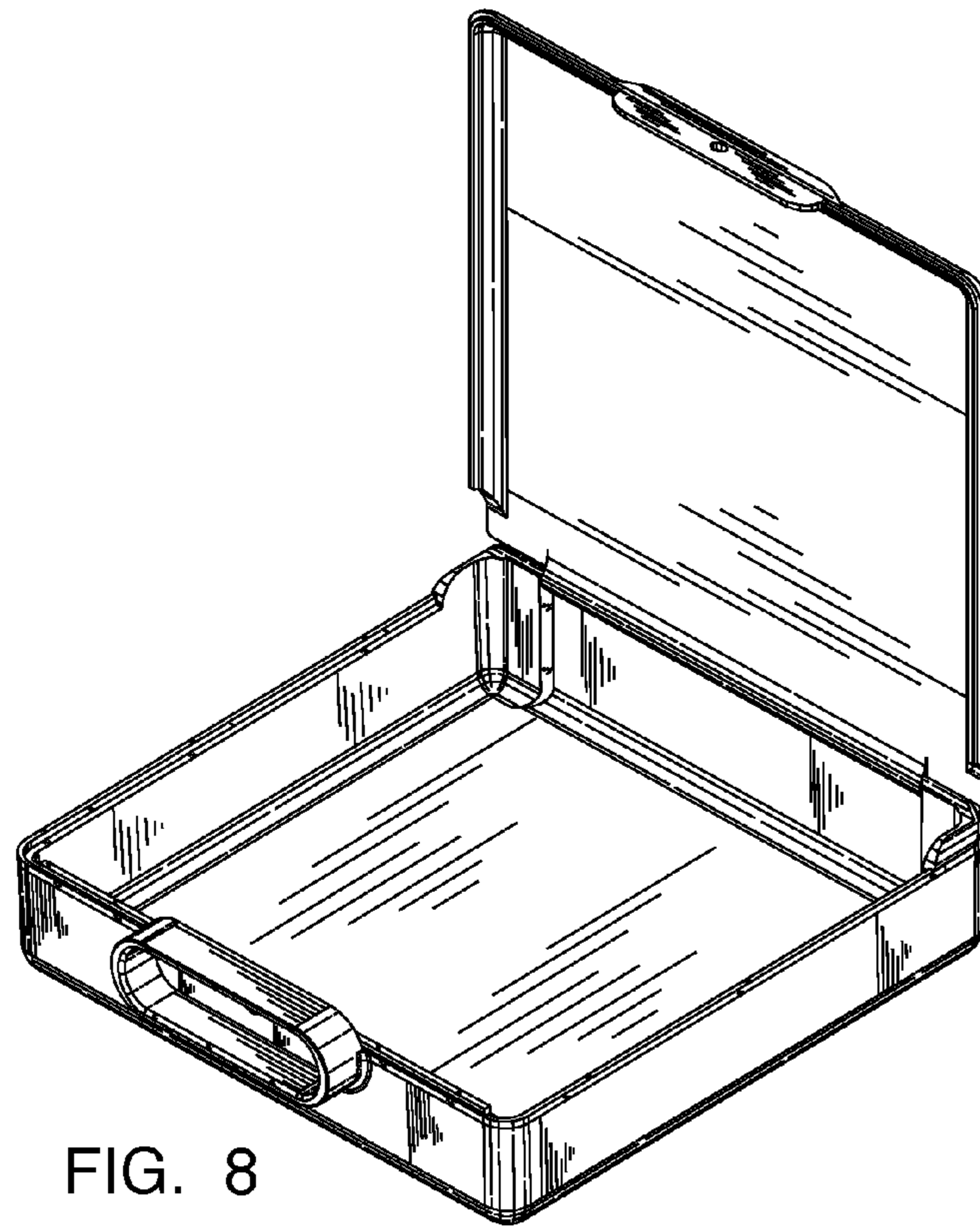


FIG. 8

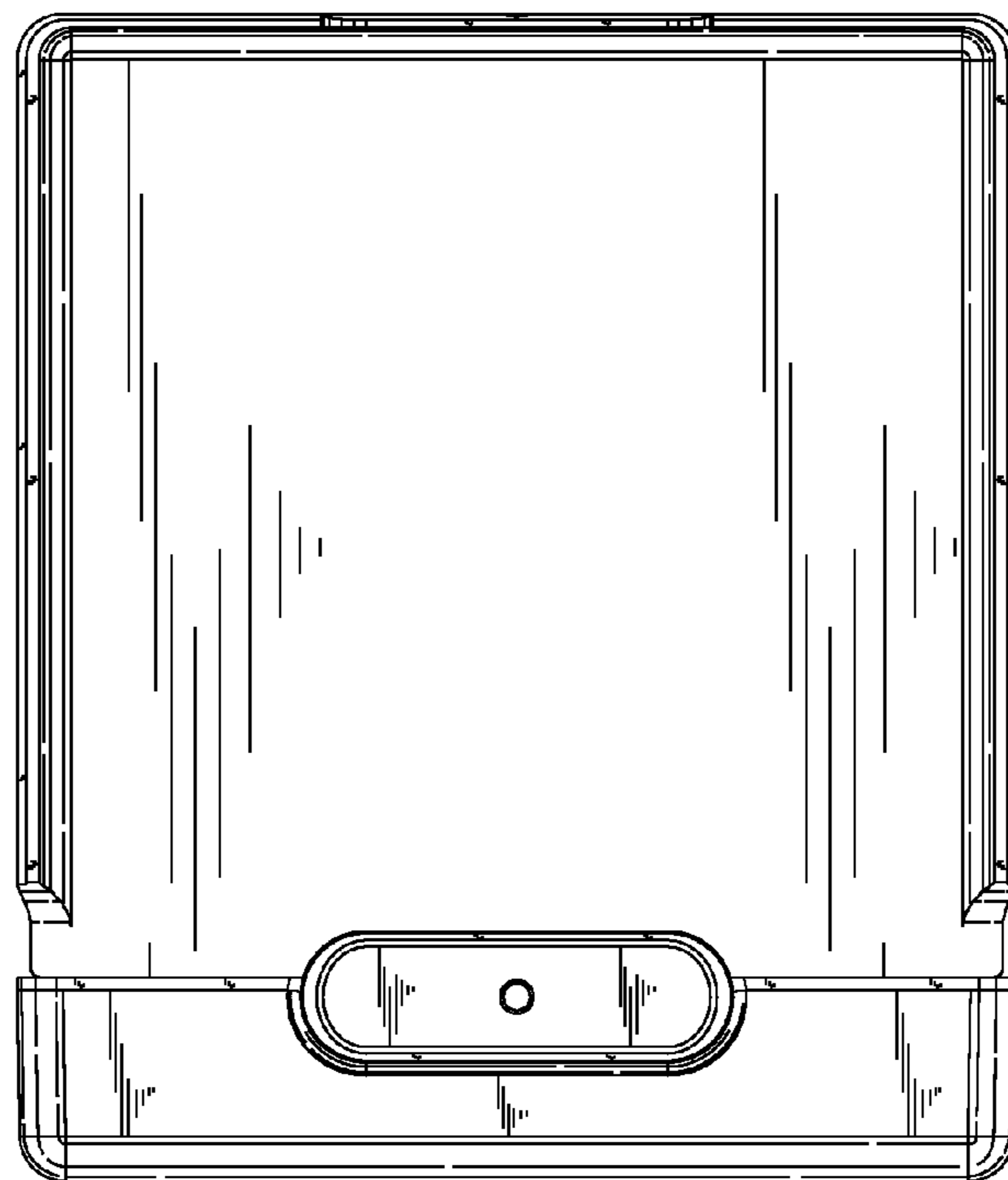


FIG. 9

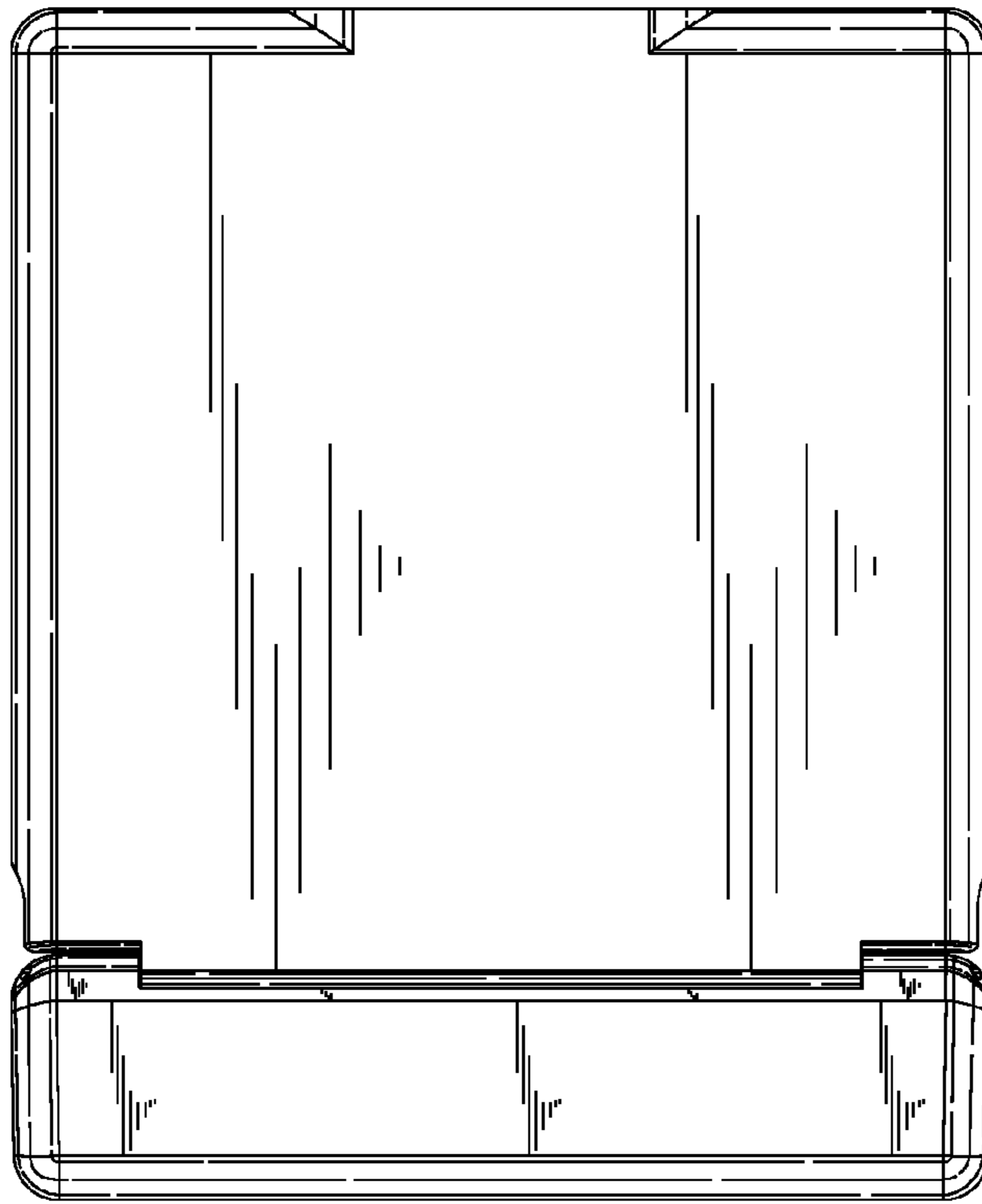


FIG. 10

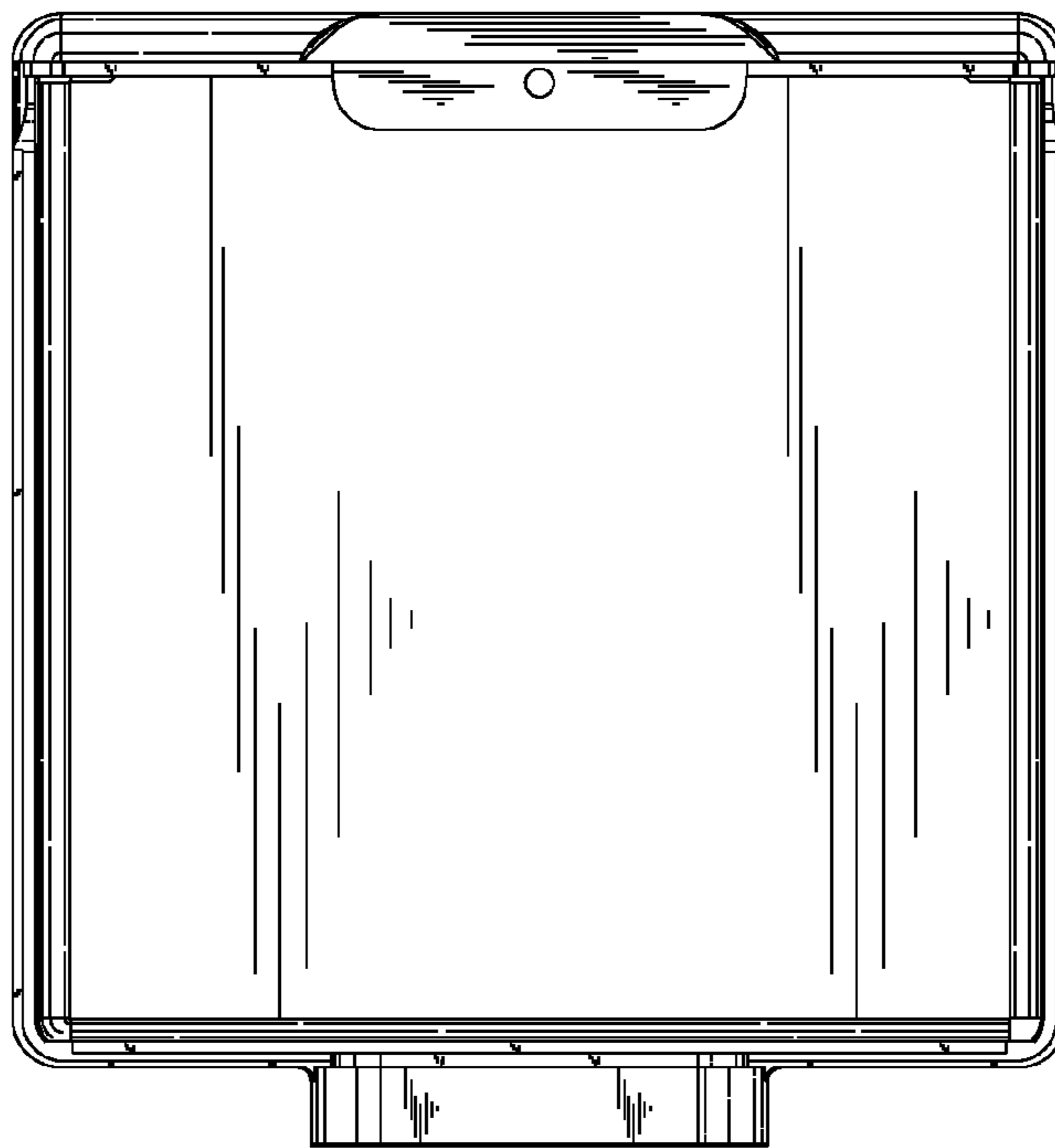


FIG. 11

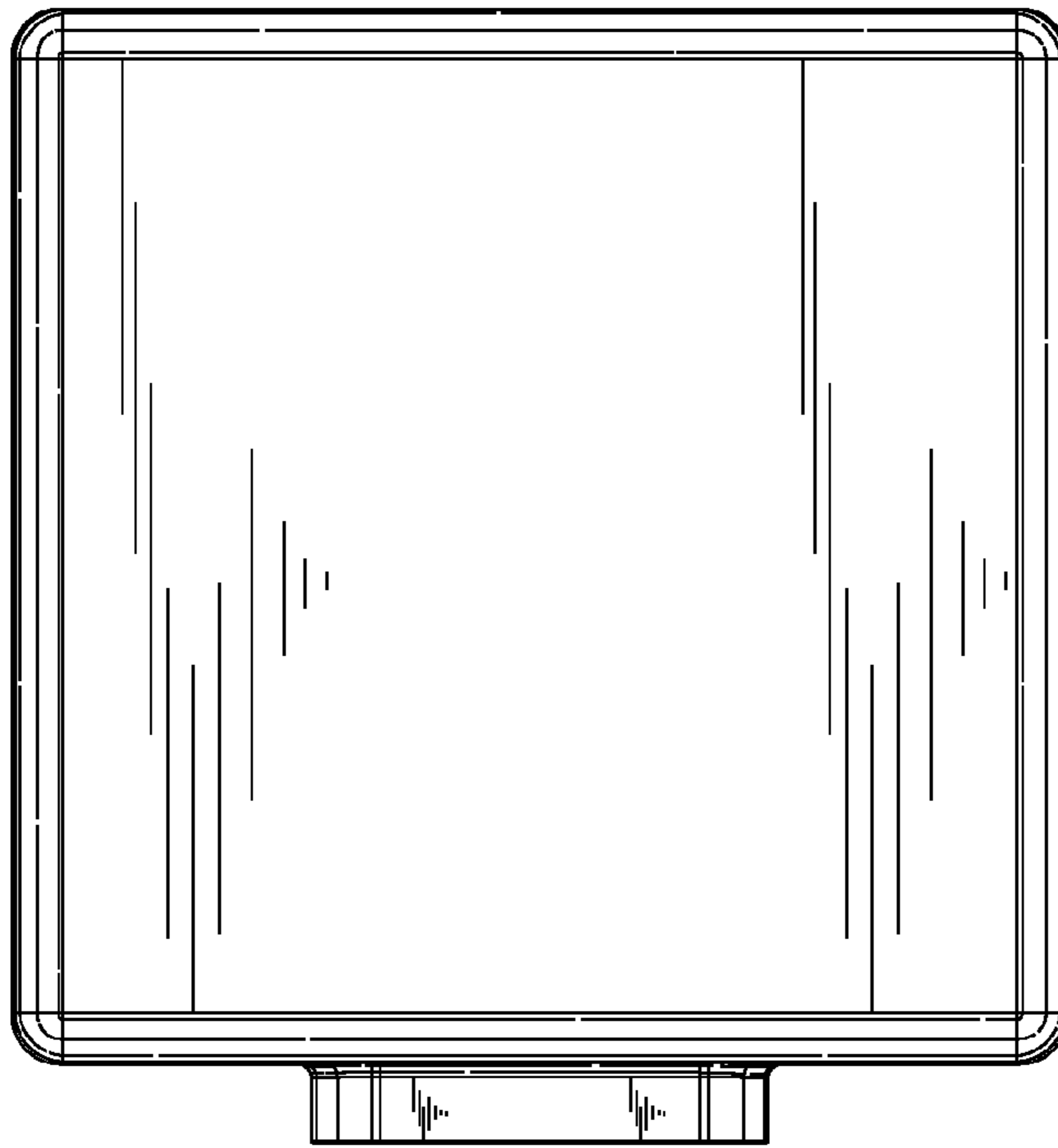


FIG. 12

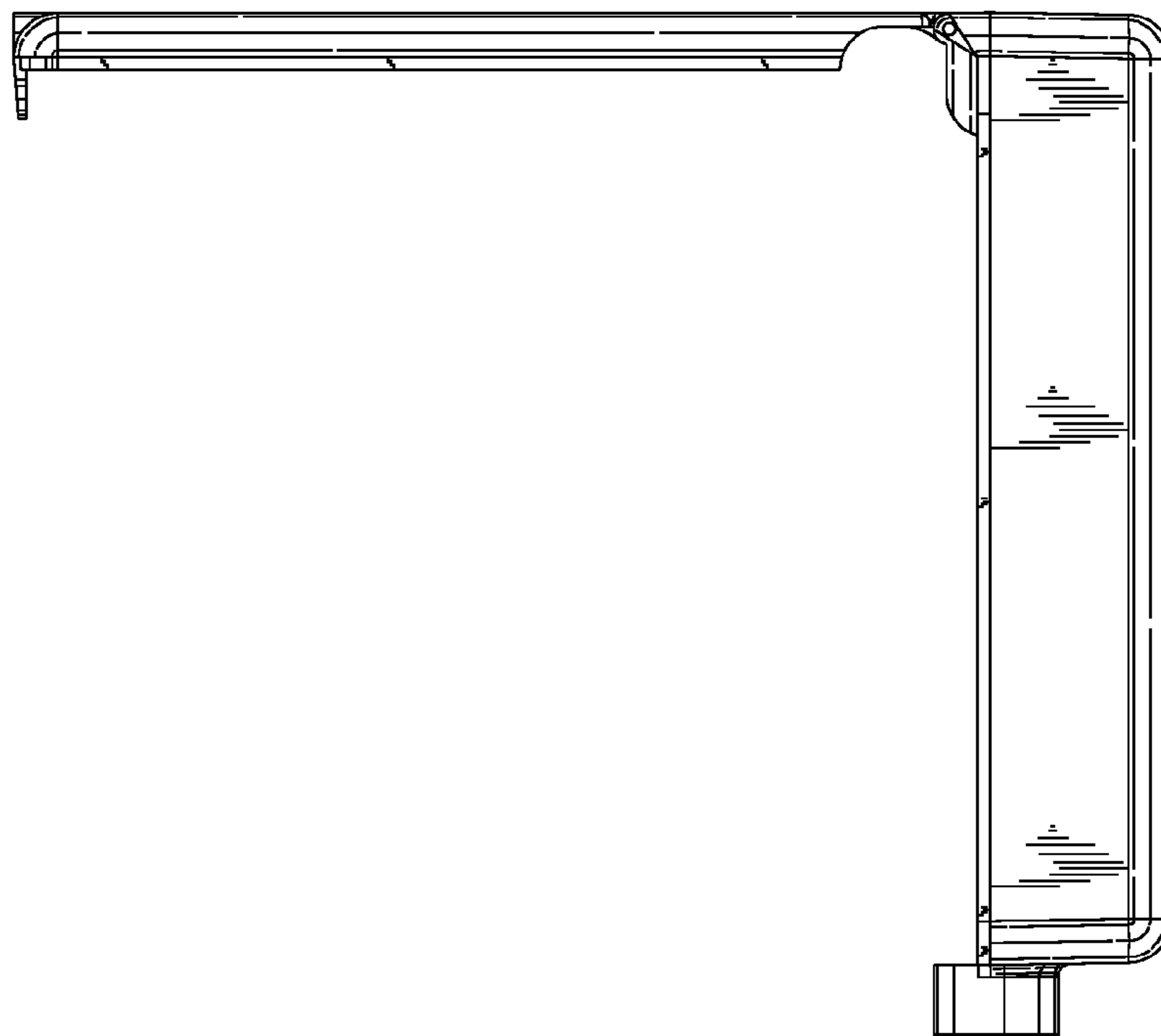


FIG. 13

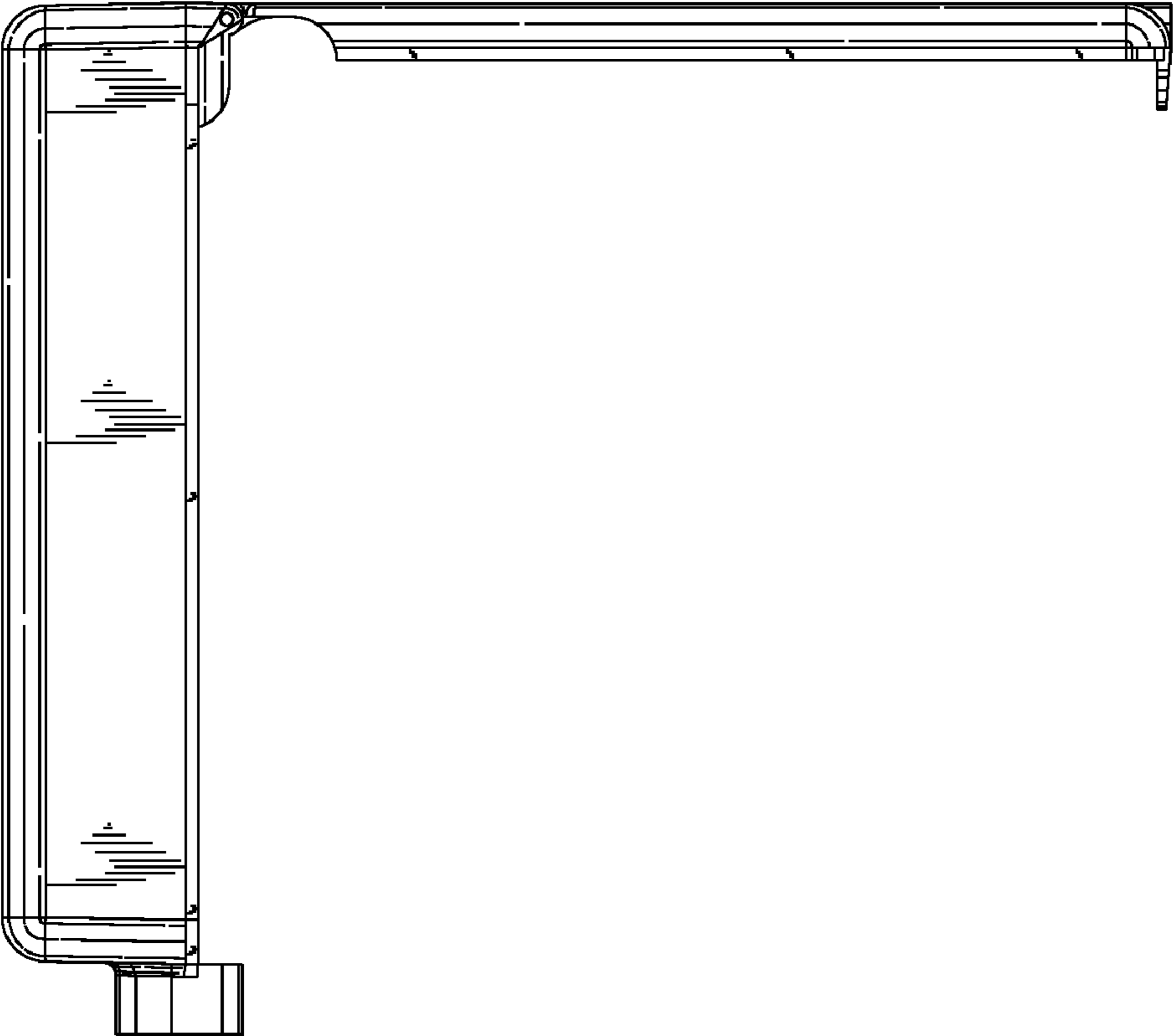


FIG. 14