



US00D572424S

(12) **United States Design Patent**
Presnell et al.

(10) **Patent No.:** **US D572,424 S**
(45) **Date of Patent:** **** Jul. 1, 2008**

(54) **CART**

(75) Inventors: **Donald C. Presnell**, Stephens City, VA (US); **Robert W. Lauer**, Winchester, VA (US); **Shawn Squires**, Winchester, VA (US)

(73) Assignee: **Rubbermaid Commercial Products LLC**, Winchester, VA (US)

(**) Term: **14 Years**

(21) Appl. No.: **29/267,035**

(22) Filed: **Oct. 4, 2006**

(51) **LOC (8) Cl.** **12-02**

(52) **U.S. Cl.** **D34/14; D34/27**

(58) **Field of Classification Search** D34/12-27;
280/33.992, 33.995, 33.993, 47.34, 47.35,
280/47.26, 79.5, 79.2; D6/447, 479
See application file for complete search history.

(56) **References Cited**

U.S. PATENT DOCUMENTS

- 1,491,251 A 4/1924 Webb
- 2,424,644 A 7/1947 Barrett
- 2,555,178 A 5/1951 Young
- 2,560,059 A 7/1951 Young
- 3,031,207 A 4/1962 Bard
- 3,504,392 A 4/1970 Baek
- 3,726,535 A 4/1973 Longato
- 3,874,531 A 4/1975 Mayo
- 4,174,977 A 11/1979 Shallenberg et al.
- 4,319,761 A 3/1982 Wells
- 4,493,492 A 1/1985 Balabanova
- 4,743,040 A 5/1988 Breveglieri et al.
- D302,064 S * 7/1989 Delmerico D34/20
- 4,923,202 A 5/1990 Breveglieri et al.
- D309,813 S 8/1990 Gingras
- 5,110,147 A 5/1992 Gershman
- 5,175,904 A 1/1993 Pagani
- 5,326,117 A 7/1994 Cook
- 5,548,865 A 8/1996 Pagani
- 5,806,867 A 9/1998 Hampton

- 5,860,659 A 1/1999 Hart
- 5,913,528 A 6/1999 Kresse et al.
- D415,867 S * 10/1999 Perelli D34/21
- 6,497,423 B1 * 12/2002 Perelli et al. 280/47.34
- D469,235 S * 1/2003 Calmeise et al. D34/21
- D474,570 S * 5/2003 Presnell et al. D34/21
- D481,188 S * 10/2003 DiGiacomo et al. D34/21
- 6,651,993 B1 11/2003 Emerzian et al.
- 6,659,495 B1 12/2003 Sanderson
- 6,827,357 B2 12/2004 Calmeise et al.
- 7,104,556 B1 9/2006 Young
- D535,453 S * 1/2007 Japuntich et al. D34/27
- 2003/0122331 A1 7/2003 DiGiacomo et al.

FOREIGN PATENT DOCUMENTS

DE 82 36 555.5 U1 8/1983

(Continued)

Primary Examiner—Cynthia E Ramirez
(74) *Attorney, Agent, or Firm*—Foley & Lardner LLP

(57) **CLAIM**

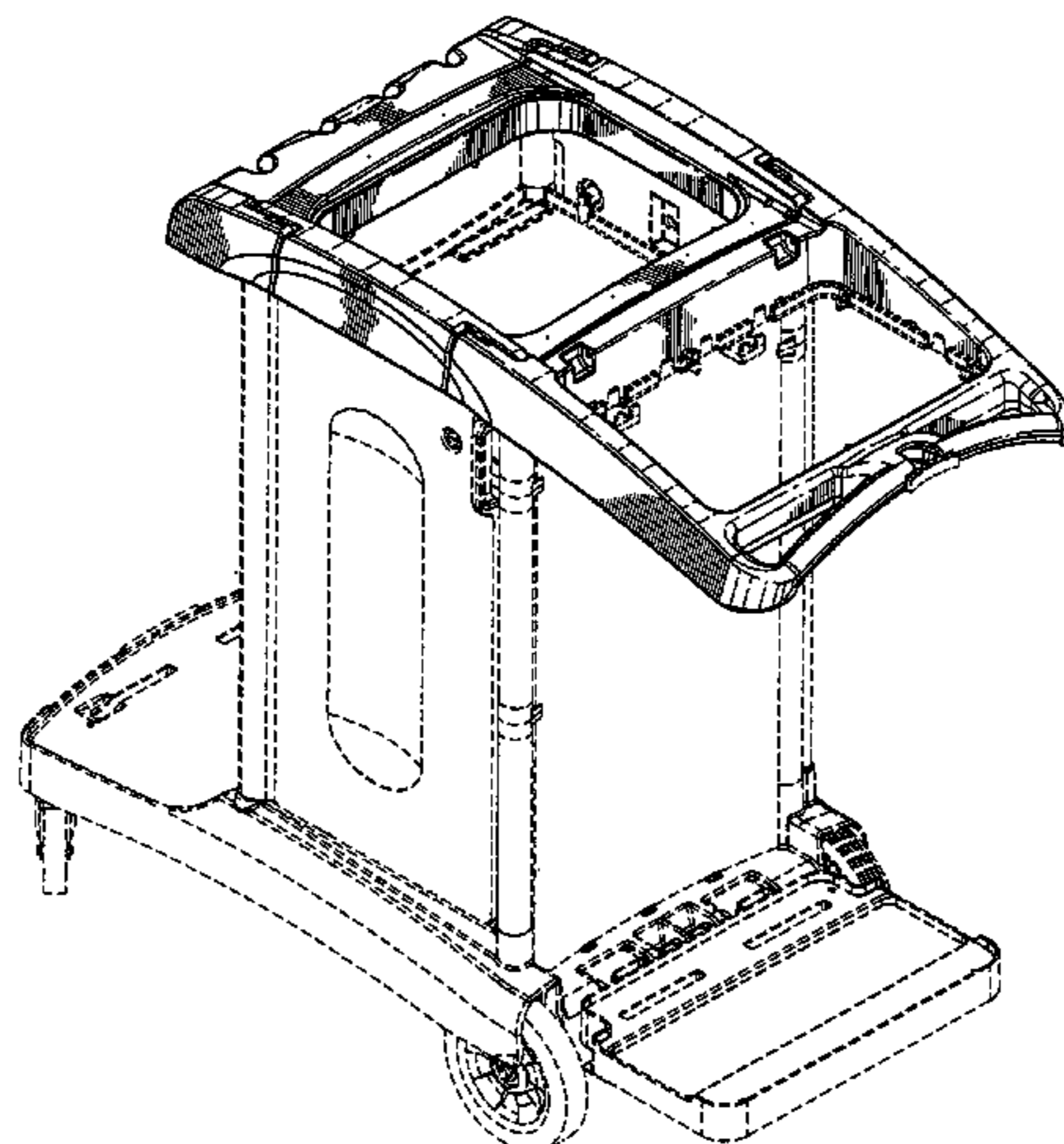
The ornamental design for a cart, as shown and described.

DESCRIPTION

FIG. 1 is a top frontal perspective view of a cart according to our new design;
 FIG. 2 is a front view of the cart shown in FIG. 1;
 FIG. 3 is a back view of the cart shown in FIG. 1;
 FIG. 4 is a left side view of the cart shown in FIG. 1;
 FIG. 5 is a right side view of the cart shown in FIG. 1;
 FIG. 6 is a top view of the cart shown in FIG. 1; and,
 FIG. 7 is a bottom view of the cart shown in FIG. 1.

The ornamental design which is claimed is shown in solid lines in the drawings. The broken lines in the drawings are for illustrative purposes only and form no part of the claimed design.

1 Claim, 7 Drawing Sheets



US D572,424 S

Page 2

FOREIGN PATENT DOCUMENTS			
DE	43 20 454 A1	12/1994	IT MI94U 000523 7/1994
EP	1 162 122 A2	12/2001	IT MI95U 000197 3/1995
FR	2 833 913	6/2003	IT MI95U 000198 3/1995

* cited by examiner

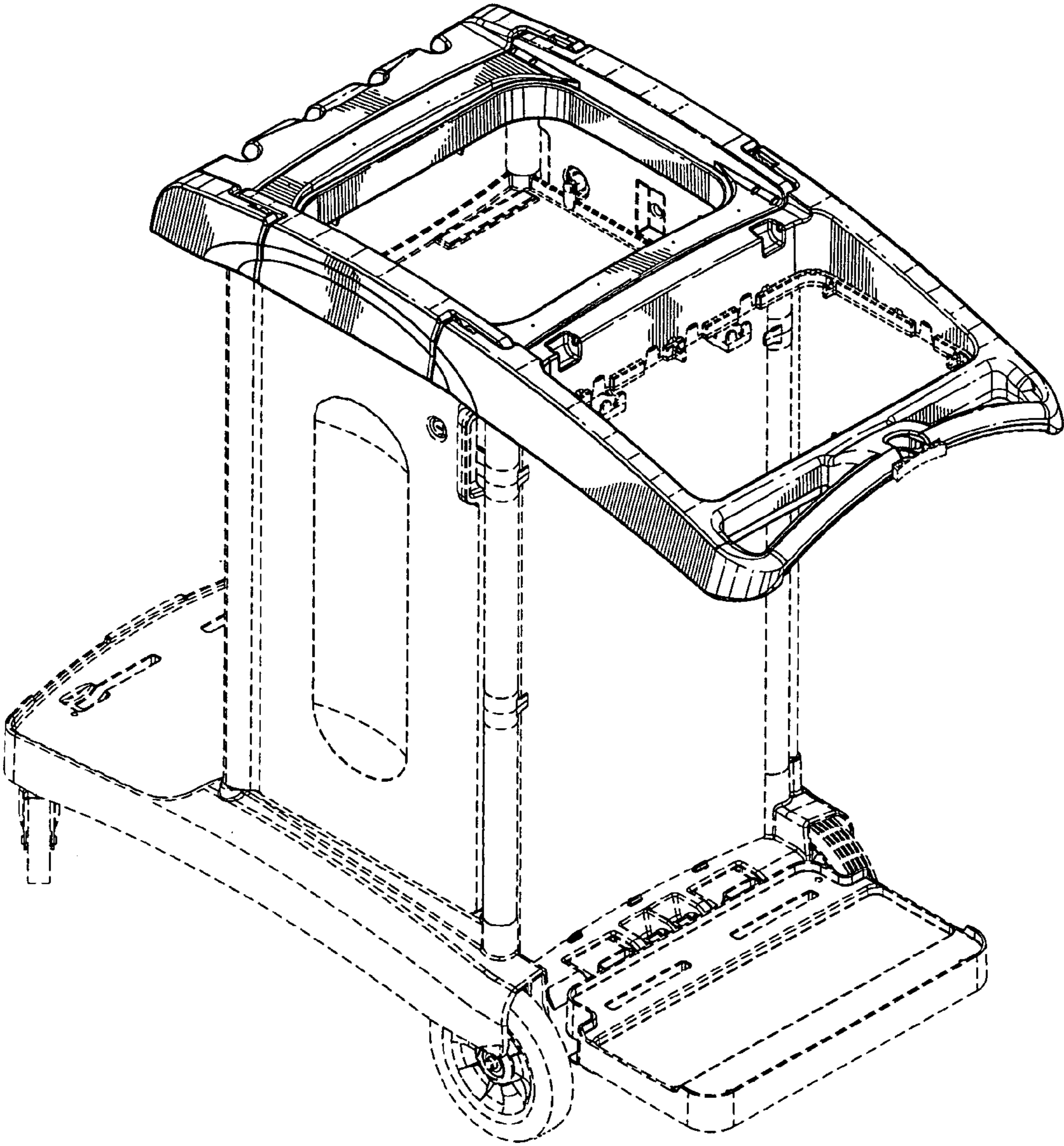


FIG. 1

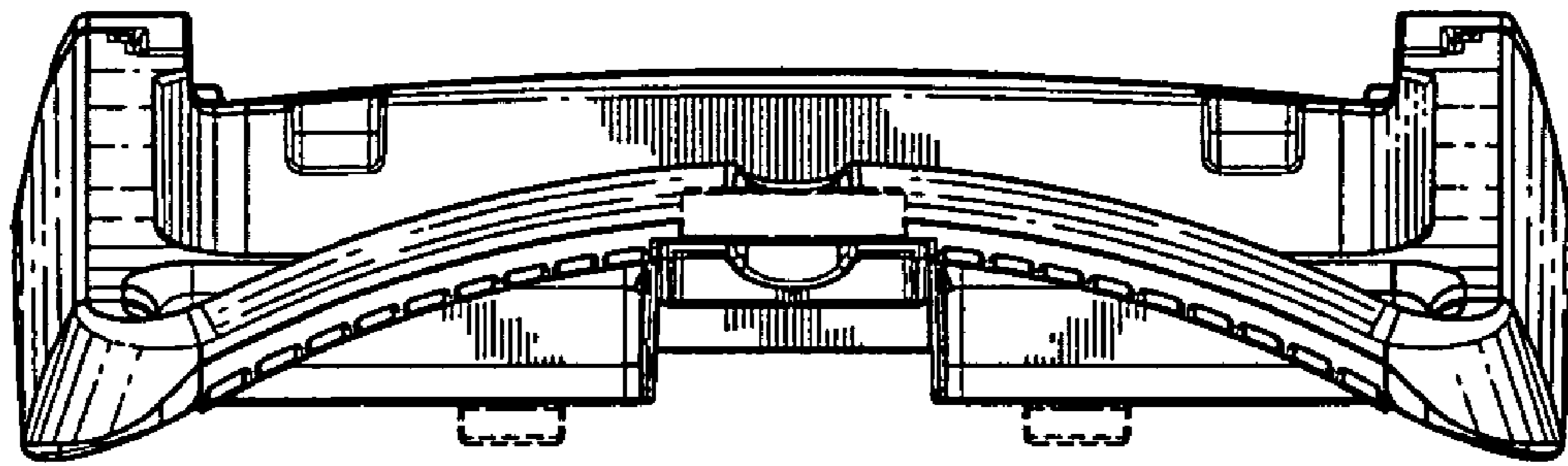


FIG. 2

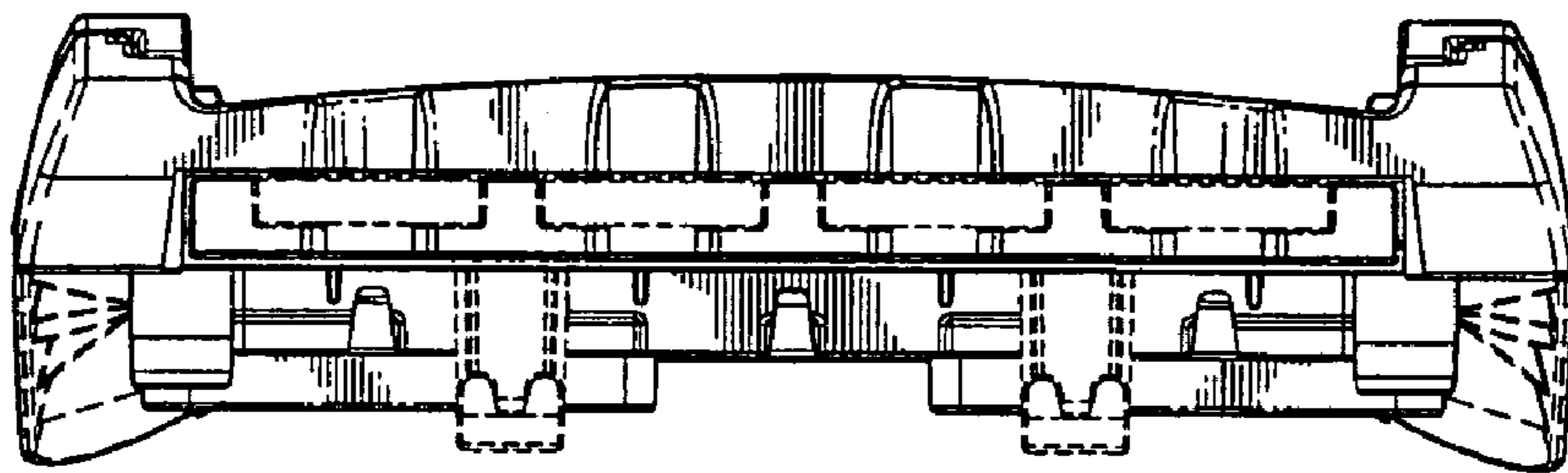


FIG. 3

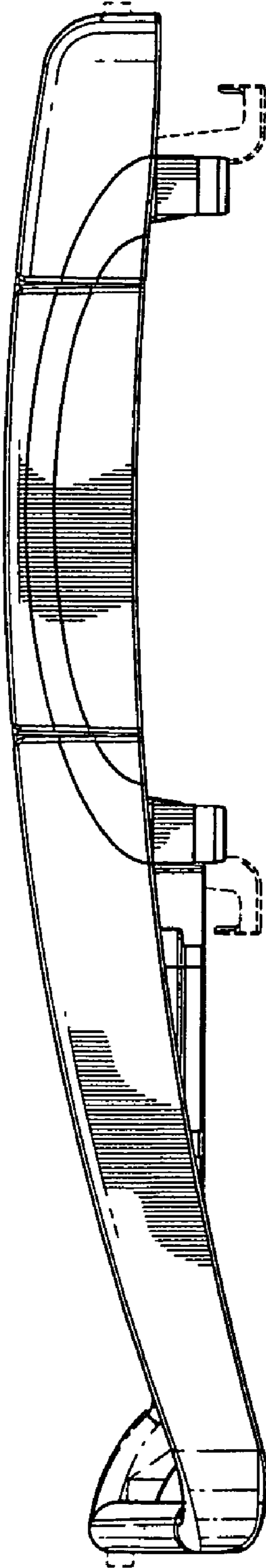


FIG. 4

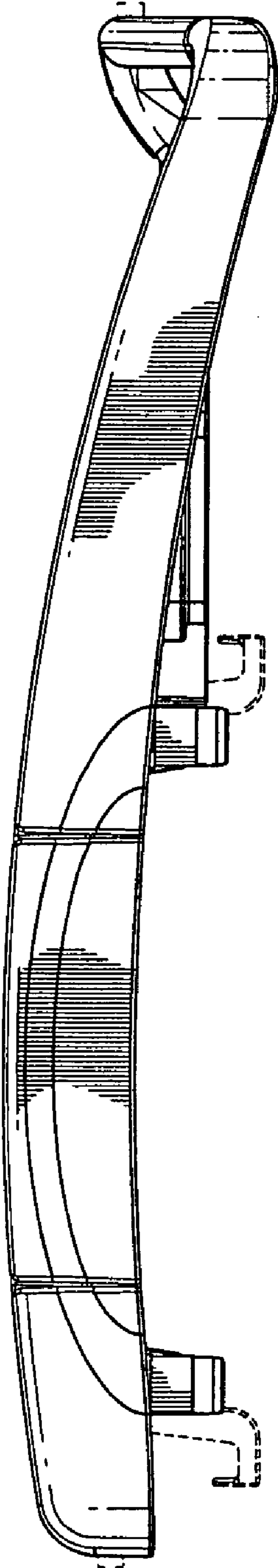


FIG. 5

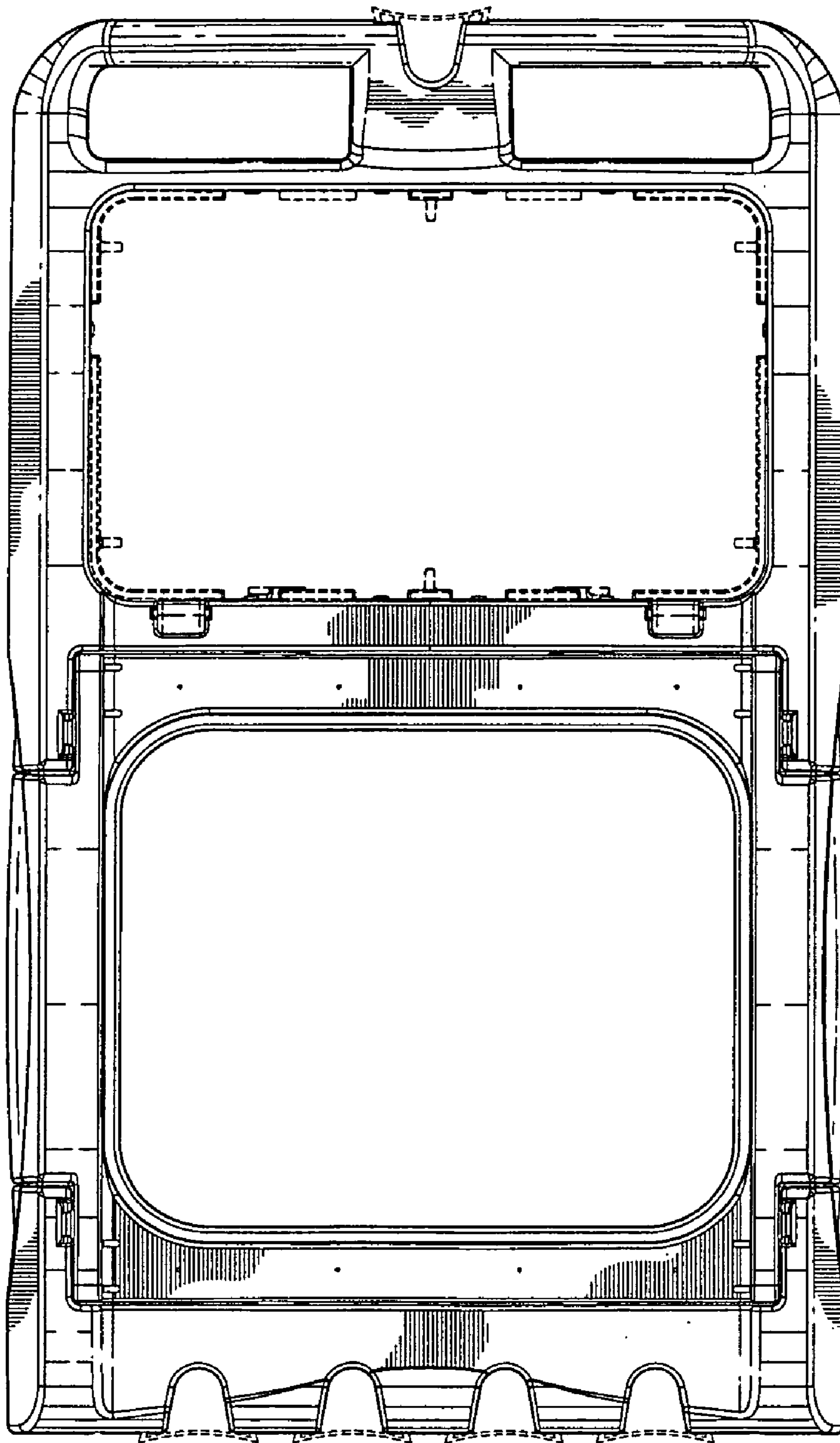


FIG. 6

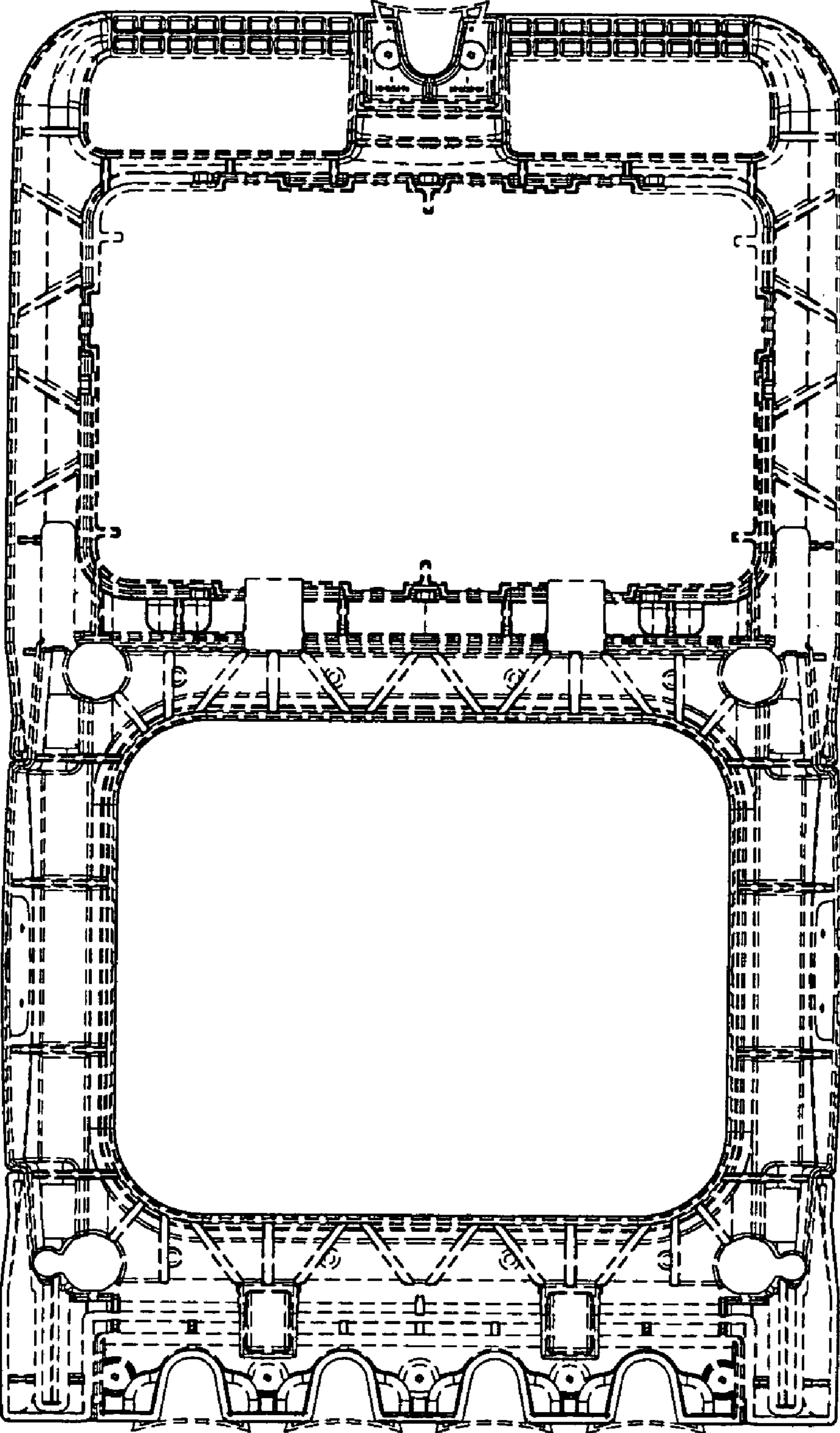


FIG. 7