



US00D572421S

(12) **United States Design Patent**
Schroeter

(10) **Patent No.:** **US D572,421 S**
(45) **Date of Patent:** **** Jul. 1, 2008**

(54) **VACUUM CLEANER**

(75) Inventor: **Joerg Schroeter**, Groebenzell (DE)

(73) Assignee: **BSH Bosch und Siemens Hausgeraete GmbH**, Munich (DE)

(**) Term: **14 Years**

(21) Appl. No.: **29/265,151**

(22) Filed: **Aug. 25, 2006**

(30) **Foreign Application Priority Data**

Feb. 28, 2006 (EM) 000493929

(51) **LOC (8) Cl.** **15-05**

(52) **U.S. Cl.** **D32/21**

(58) **Field of Classification Search** D32/21,
D32/23-24, 31, 15-16; D23/225; 15/320-321,
15/353, 323, 327.1-327.7, 329, 339, 412,
15/340.2, 344, 347; 55/DIG. 2

See application file for complete search history.

(56) **References Cited**

U.S. PATENT DOCUMENTS

D417,323 S *	11/1999	Fujita et al.	D32/21
D446,363 S *	8/2001	Sato et al.	D32/21
D506,041 S *	6/2005	Schroter	D32/21
D506,856 S *	6/2005	Schroter	D32/21
D530,466 S *	10/2006	Schroeter	D32/21
D530,469 S *	10/2006	Ikeno	D32/21

* cited by examiner

Primary Examiner—Ruth McInroy

(74) *Attorney, Agent, or Firm*—Russell W. Warnock; James E. Howard

(57) **CLAIM**

The ornamental design for a vacuum cleaner, as shown and described.

DESCRIPTION

FIG. 1 is perspective view of a vacuum cleaner showing my ornamental design;

FIG. 2 is perspective view of the vacuum cleaner shown in FIG. 1;

FIG. 3 is a right side view of the vacuum cleaner shown in FIG. 1;

FIG. 4 is a left side view of the vacuum cleaner shown in FIG. 1;

FIG. 5 is a front plan view of the vacuum cleaner shown in FIG. 1;

FIG. 6 is a rear plan view of the vacuum cleaner shown in FIG. 1;

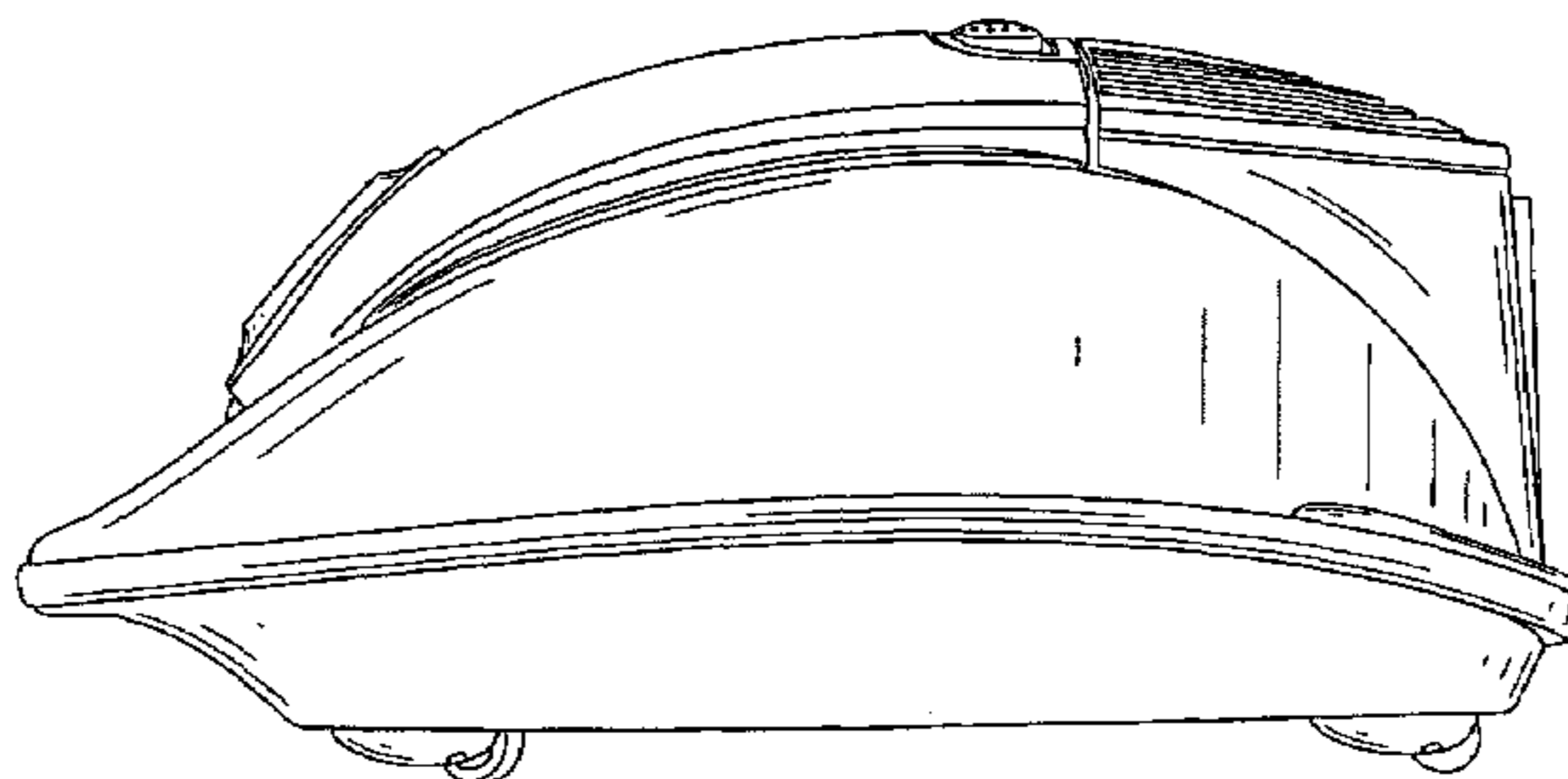
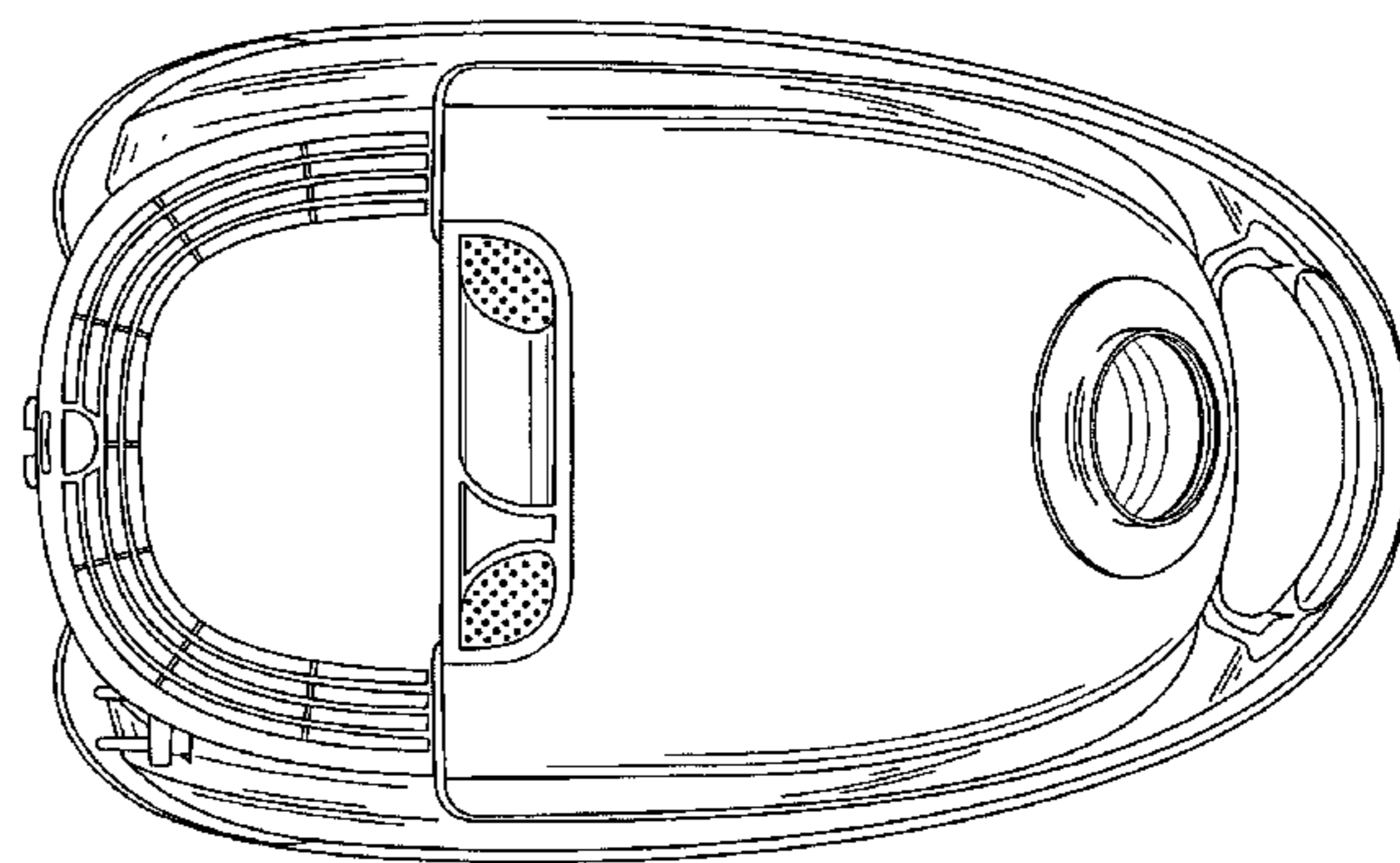
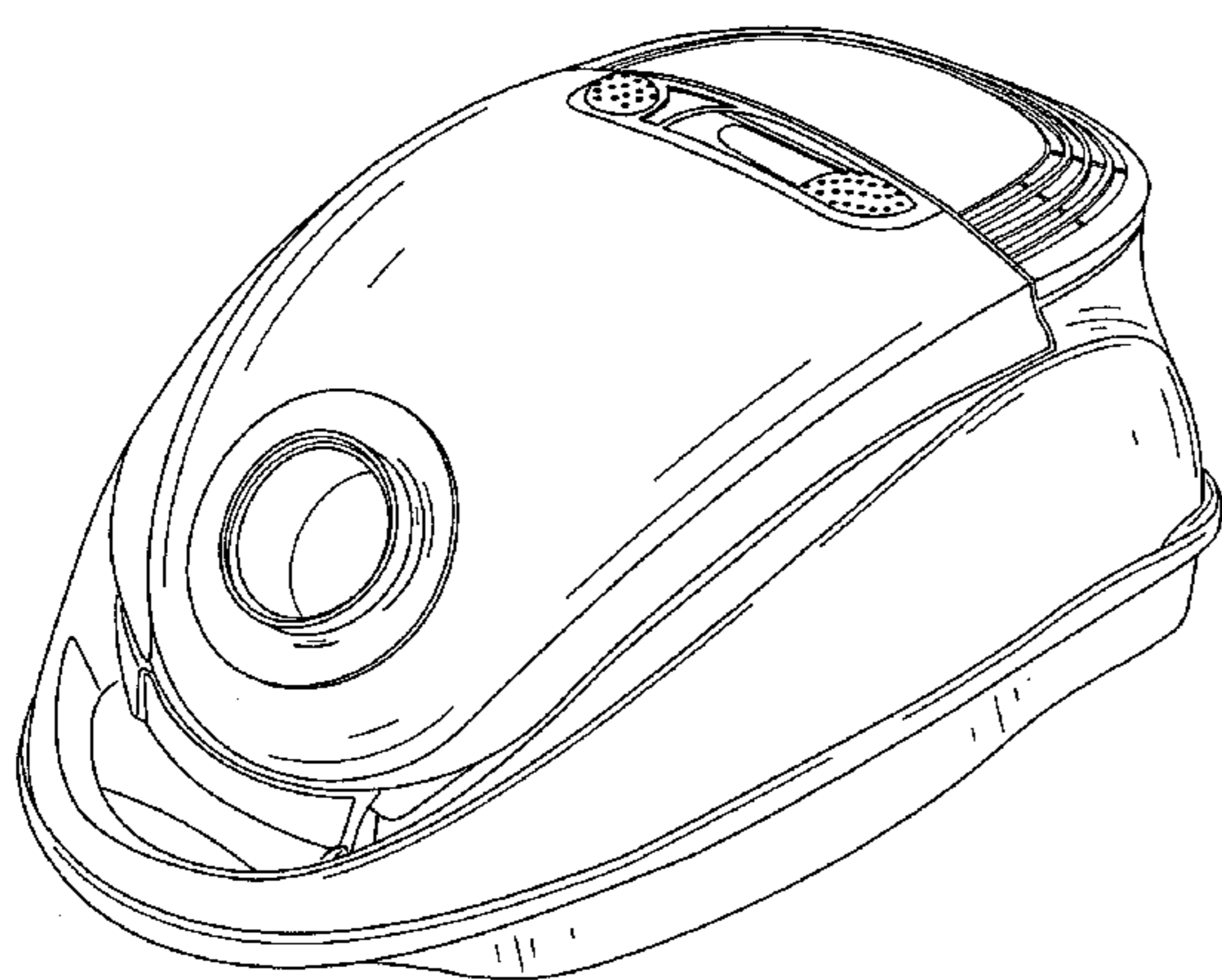
FIG. 7 is a top plan view of the vacuum cleaner shown in FIG. 1;

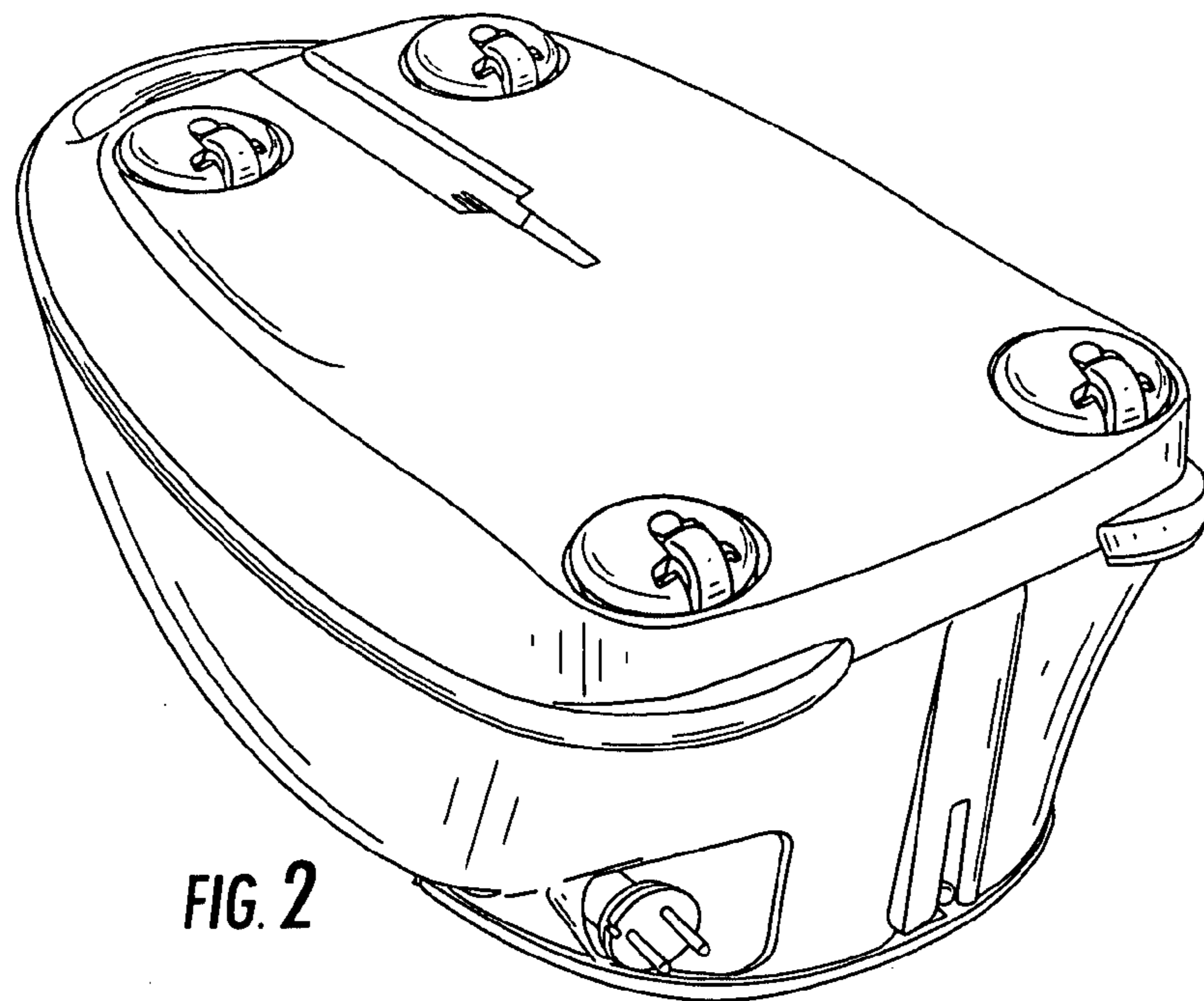
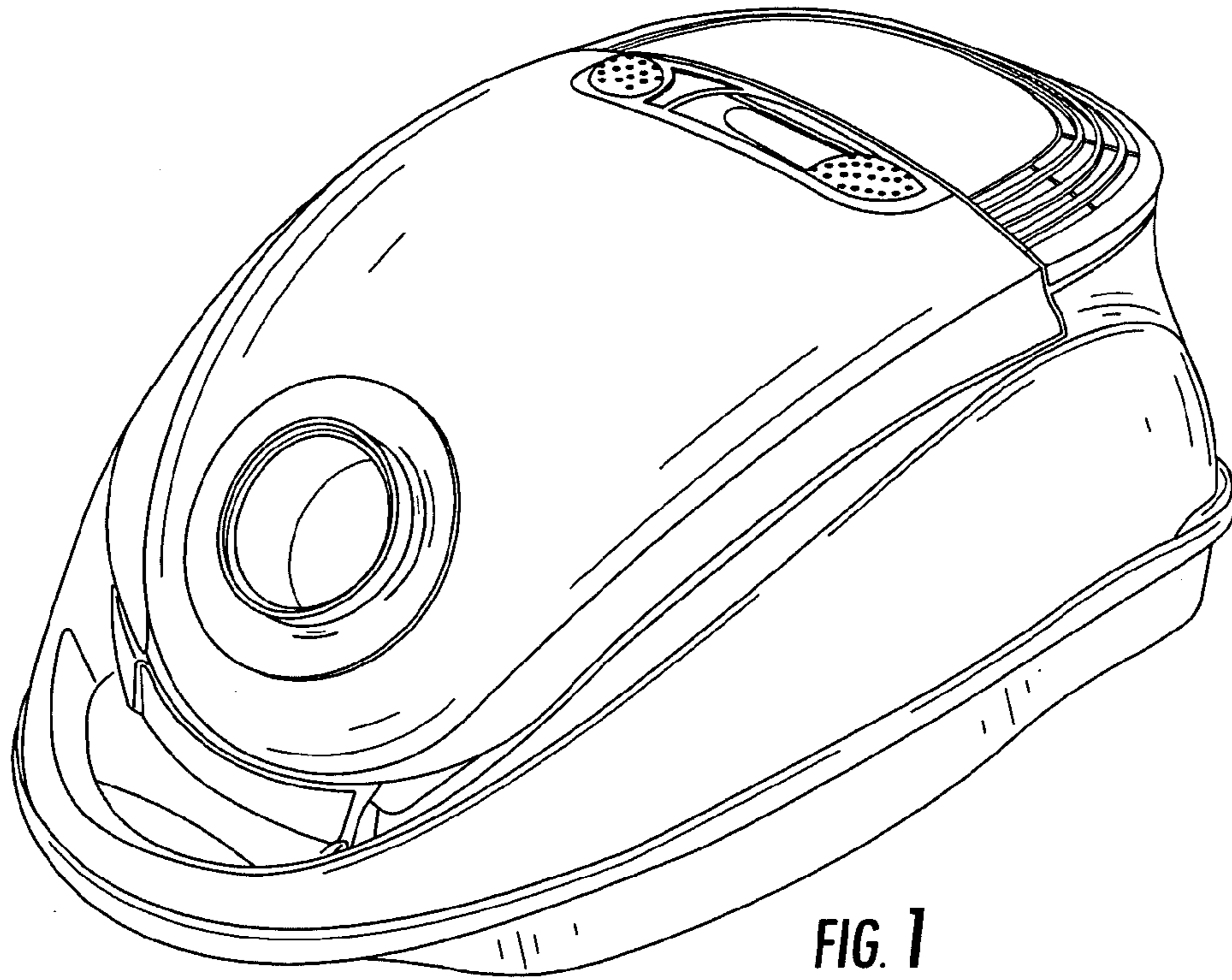
FIG. 8 is a bottom plan view of the vacuum cleaner shown in FIG. 1;

FIG. 9 is an enlarged view of a portion of the vacuum cleaner shown in FIG. 1; and,

FIG. 10 is an enlarged view of a portion of the vacuum cleaner shown in FIG. 1, showing the detail in an alternate position.

1 Claim, 5 Drawing Sheets





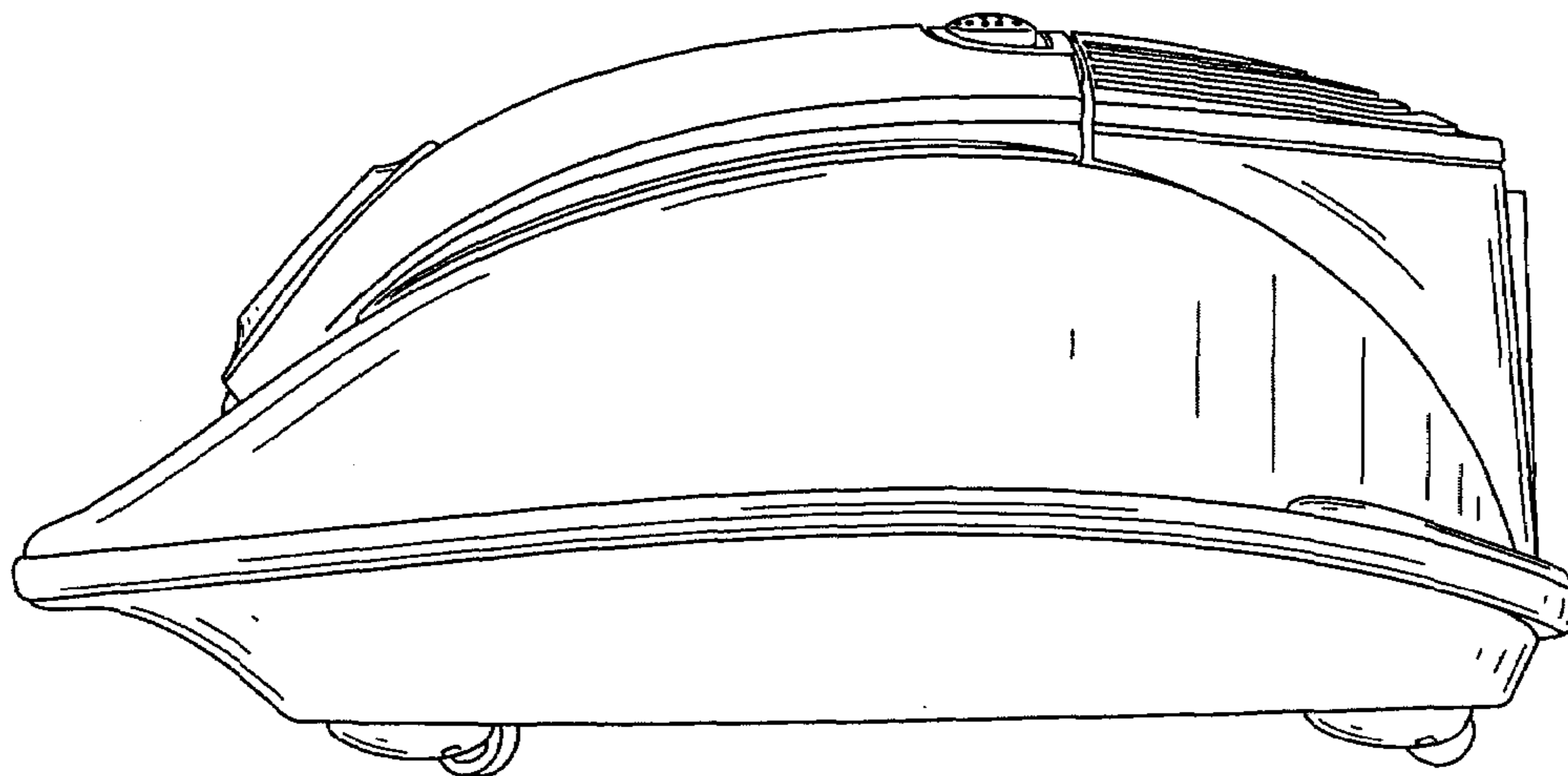


FIG. 3

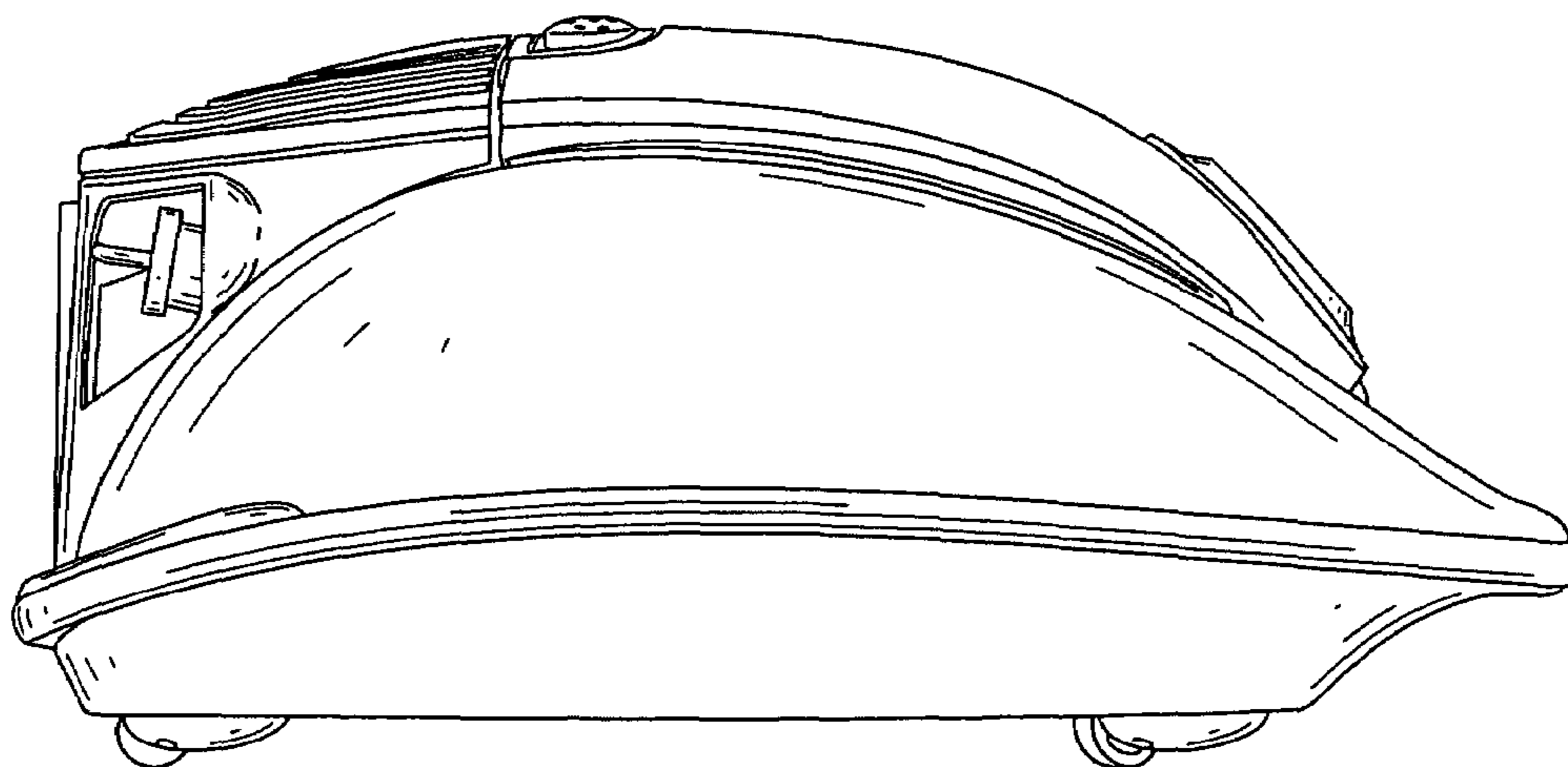


FIG. 4

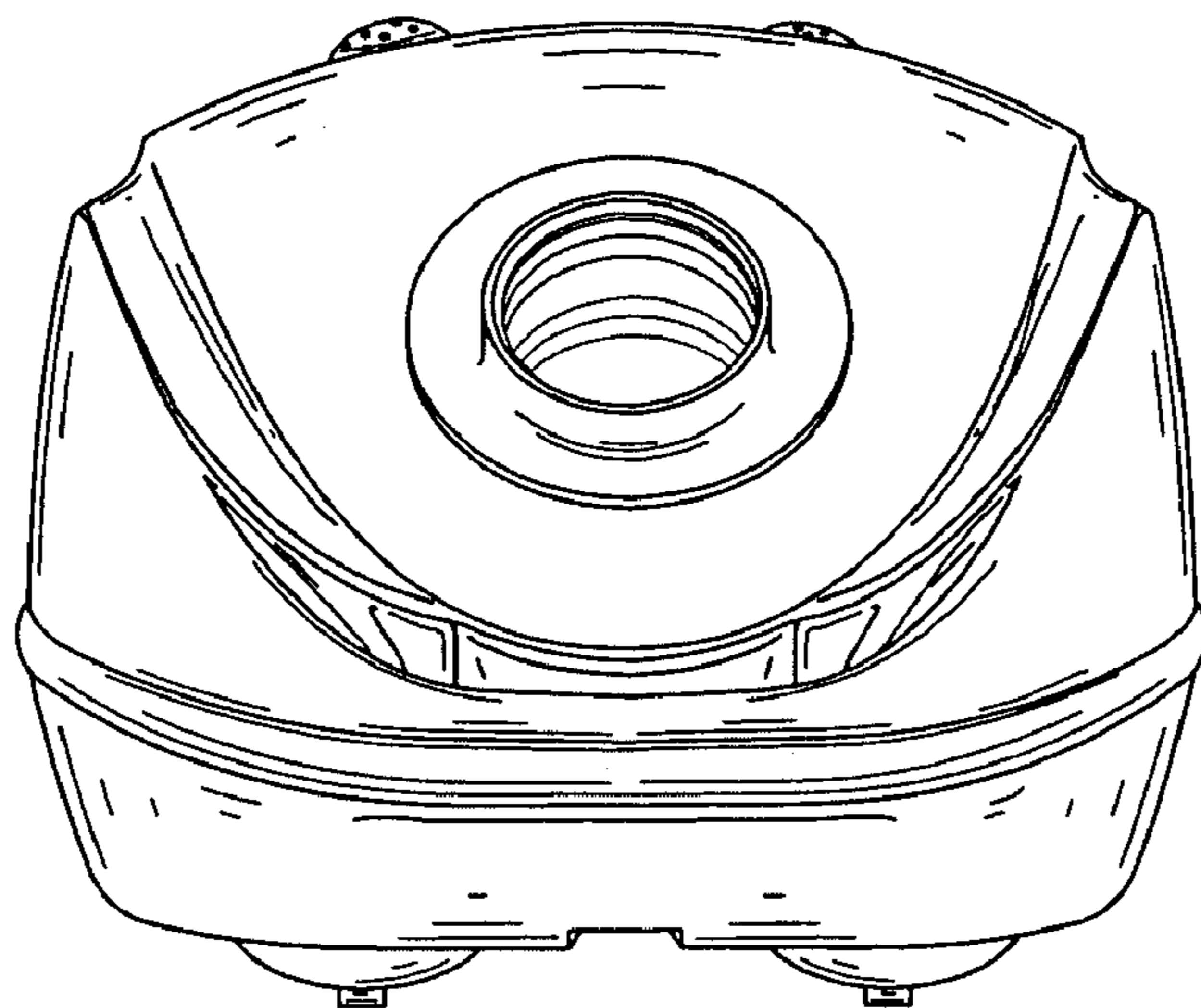


FIG. 5

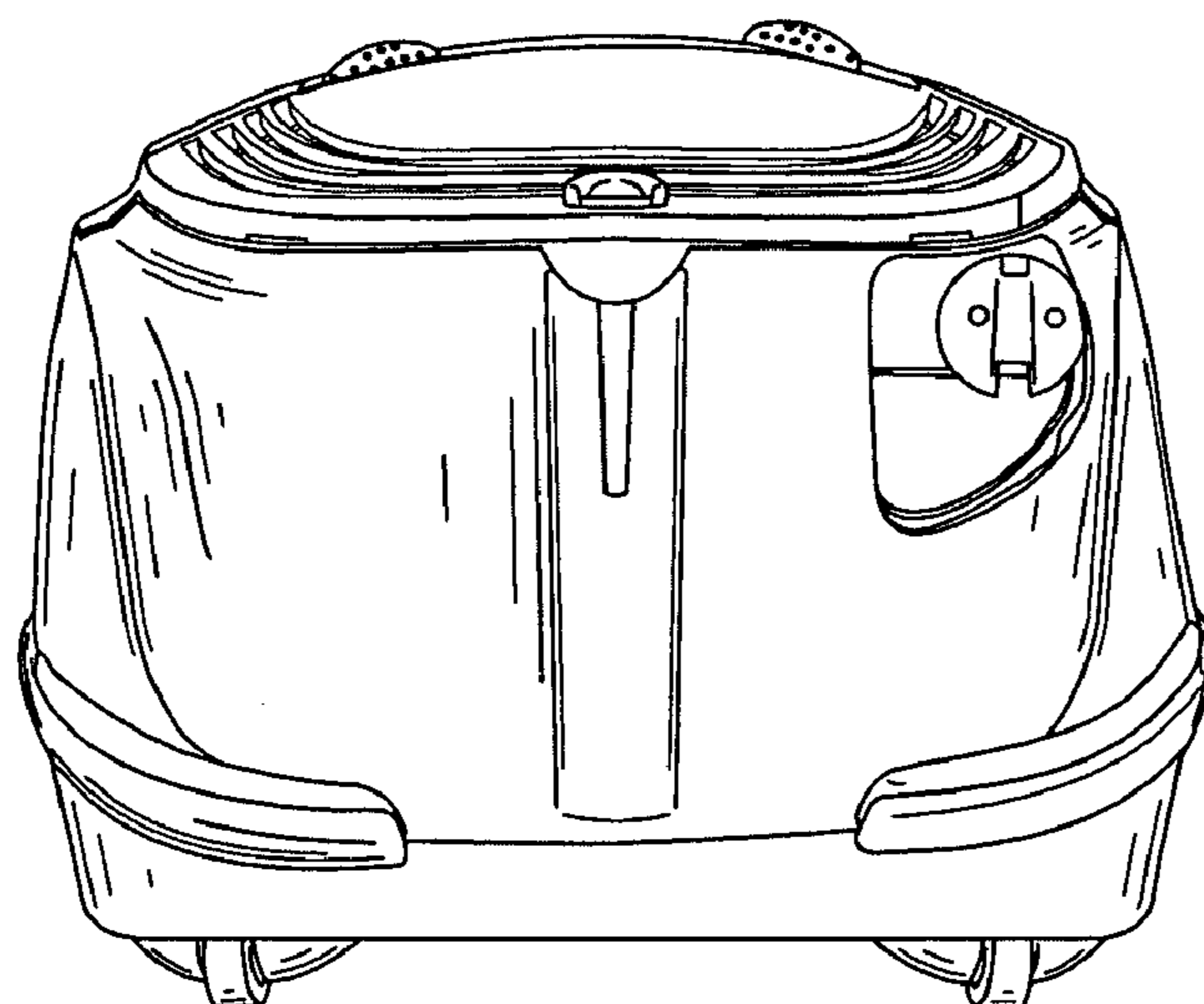


FIG. 6

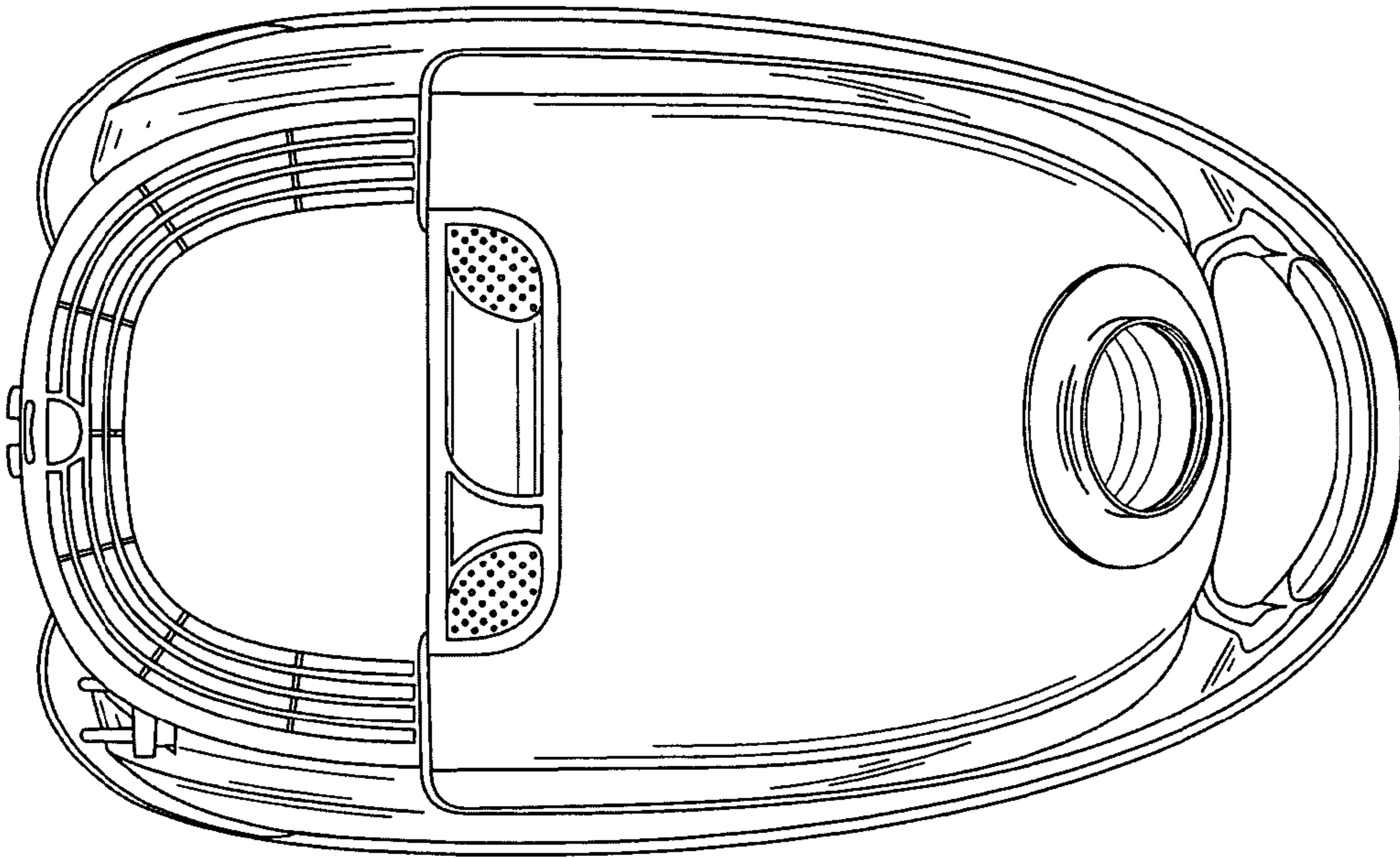


FIG. 7

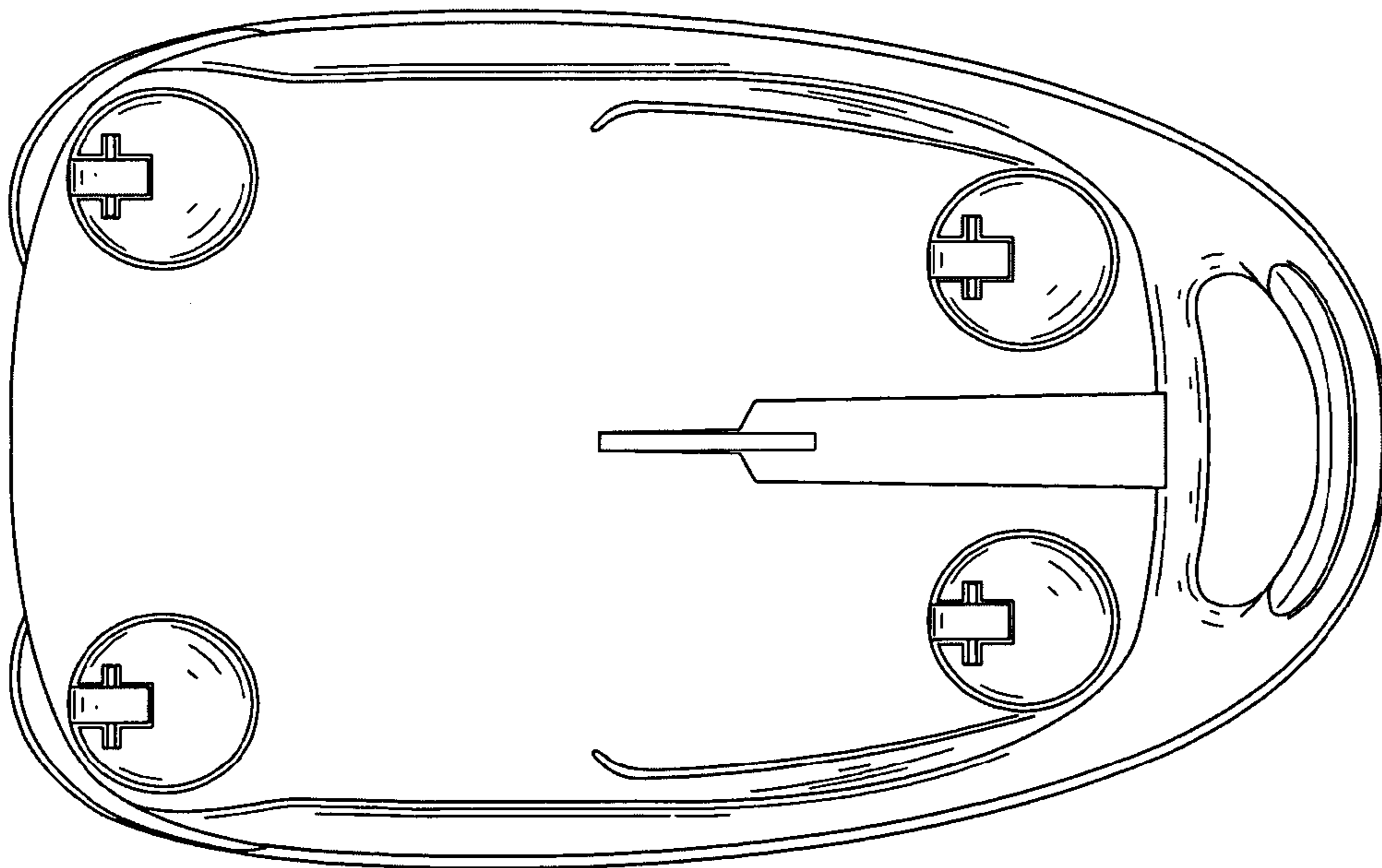


FIG. 8

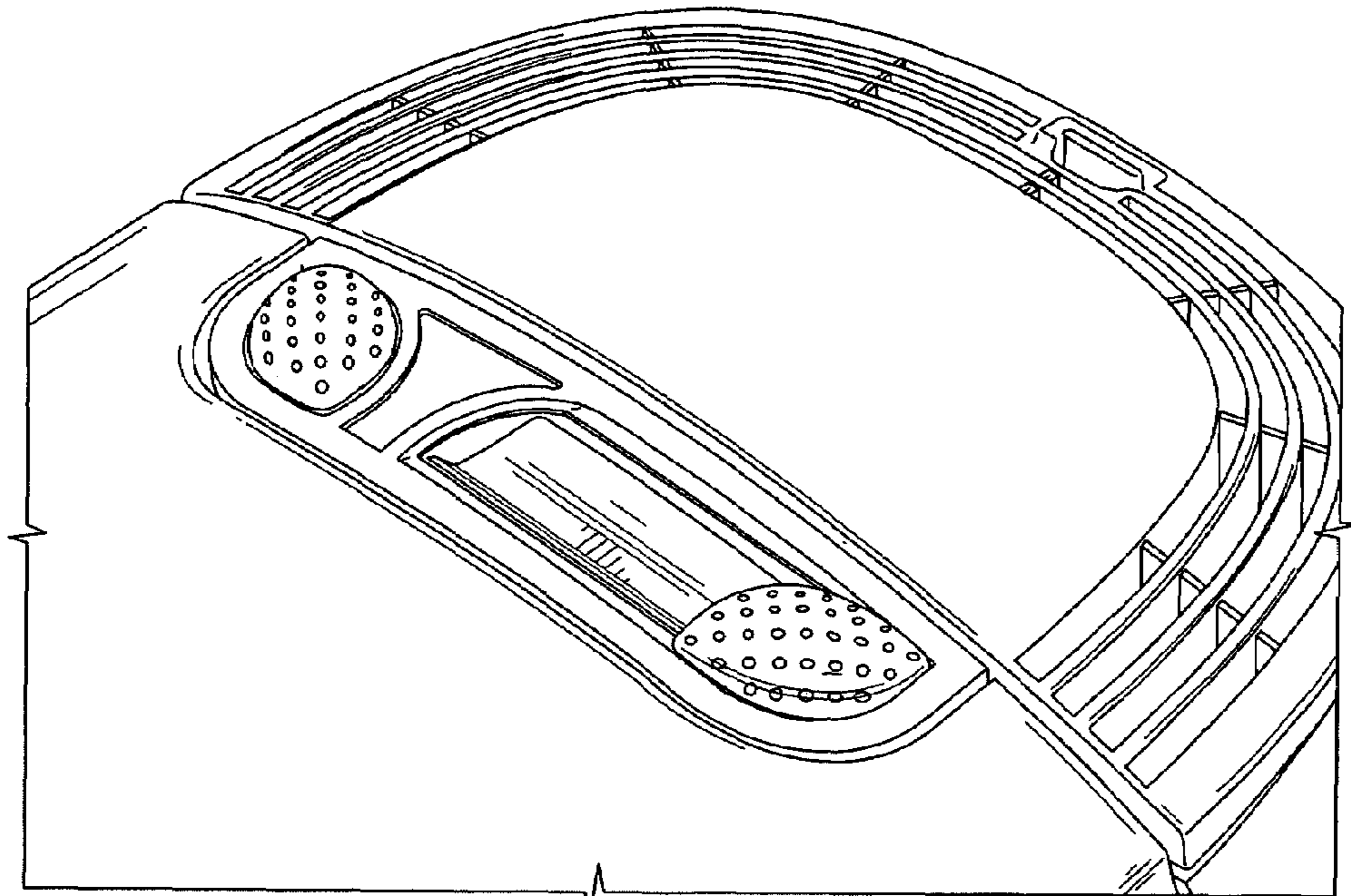


FIG. 9

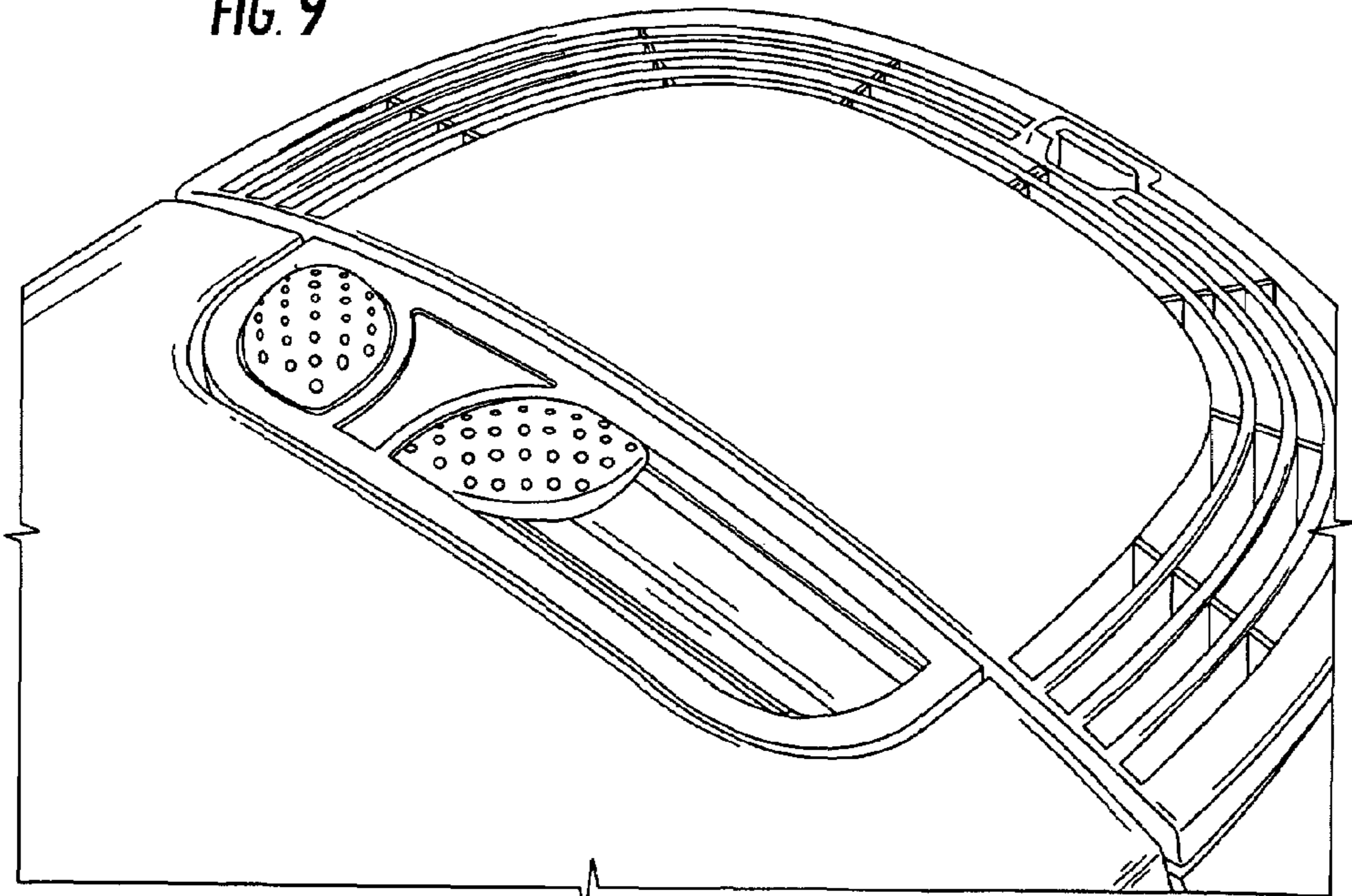


FIG. 10