



US00D572418S

(12) **United States Design Patent**
Suh et al.

(10) **Patent No.:** **US D572,418 S**
(45) **Date of Patent:** **** Jul. 1, 2008**

(54) **DRUM TYPE WASHING MACHINE**

D549,900 S * 8/2007 Kim et al. D32/6
7,313,933 B2 * 1/2008 Carey et al. 68/3 R

(75) Inventors: **Seung Wook Suh**, Seoul (KR); **Sei Ill Jeon**, Seoul (KR); **Andy Shin**, Seoul (KR); **Dong Won Chun**, Seoul (KR)

OTHER PUBLICATIONS

http://www.usappliance.com_1986_39129284 Jan. 29, 2008.*

(73) Assignee: **Samsung Electronics Co., Ltd.**, Suwon (KR)

* cited by examiner

(**) Term: **14 Years**

Primary Examiner—Louis S Zarfaz

Assistant Examiner—Kathleen M Sims

(74) *Attorney, Agent, or Firm*—Ladas & Parry

(21) Appl. No.: **29/293,447**

(57) **CLAIM**

(22) Filed: **Nov. 26, 2007**

We claim the ornamental design for a drum type washing machine, as shown.

(51) **LOC (8) Cl.** **15-05**

(52) **U.S. Cl.** **D32/6**

(58) **Field of Classification Search** D32/1,
D32/5, 6, 8, 25, 28; 38/1 A; 312/31; 34/58,
34/87-88, 108-109, 130-132, 417, 499,
34/523-52, 534, 595-597, 600, 603; 68/3 R,
68/4, 5 R, 12.01, 12.08, 212, 139

DESCRIPTION

FIG. 1 is a front, right, top perspective view of a drum type washing machine showing our new design;

FIG. 2 is front elevational view thereof;

FIG. 3 is a rear view thereof;

FIG. 4 is a left side view thereof;

FIG. 5 is a right side view thereof;

FIG. 6 is a top plan view thereof; and,

FIG. 7 is a bottom plan view thereof.

See application file for complete search history.

(56) **References Cited**

U.S. PATENT DOCUMENTS

D514,756 S * 2/2006 Kirk et al. D32/6
D515,257 S * 2/2006 Geyer D32/6
D547,913 S * 7/2007 Reim et al. D32/6

1 Claim, 7 Drawing Sheets

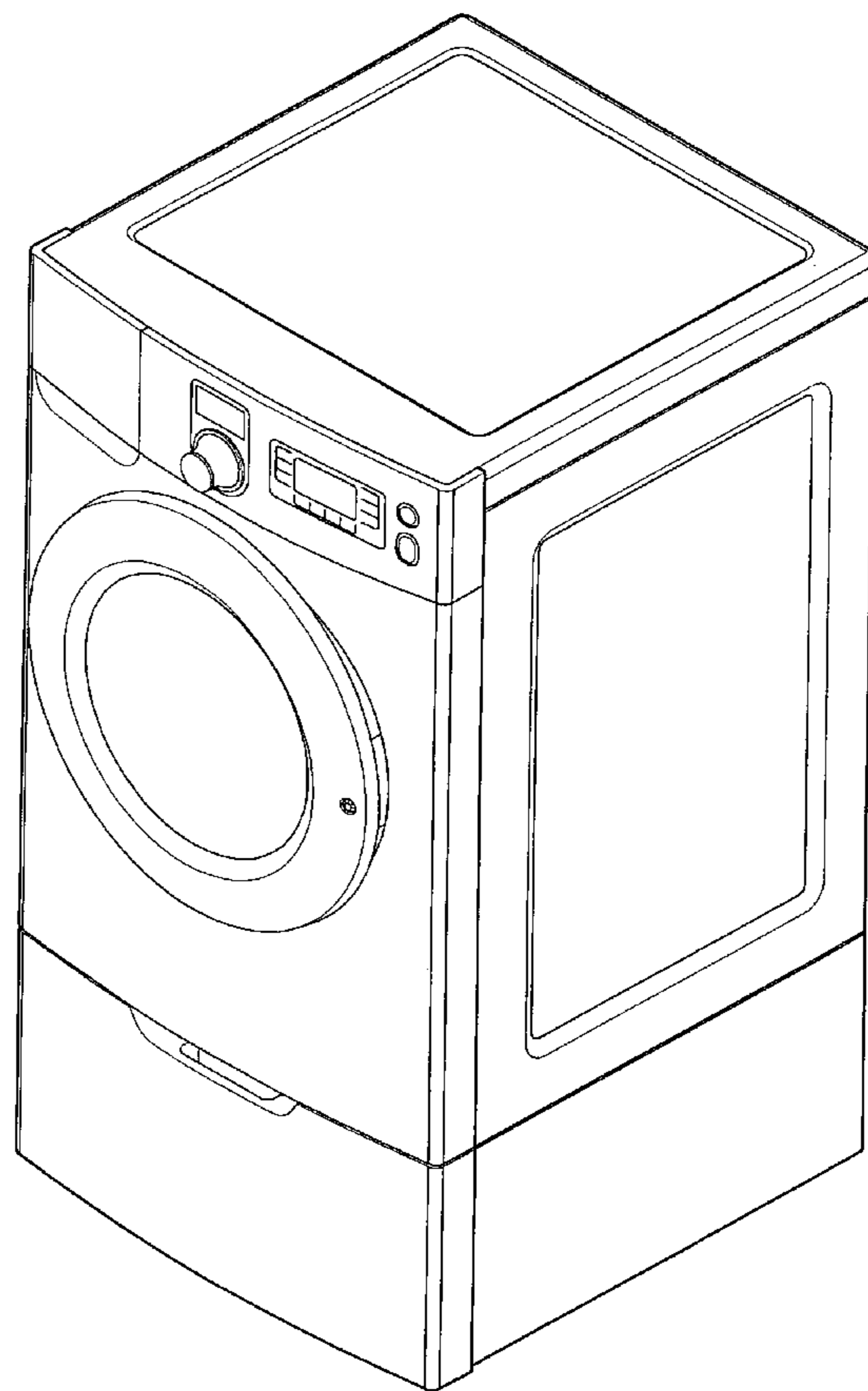


FIG. 1

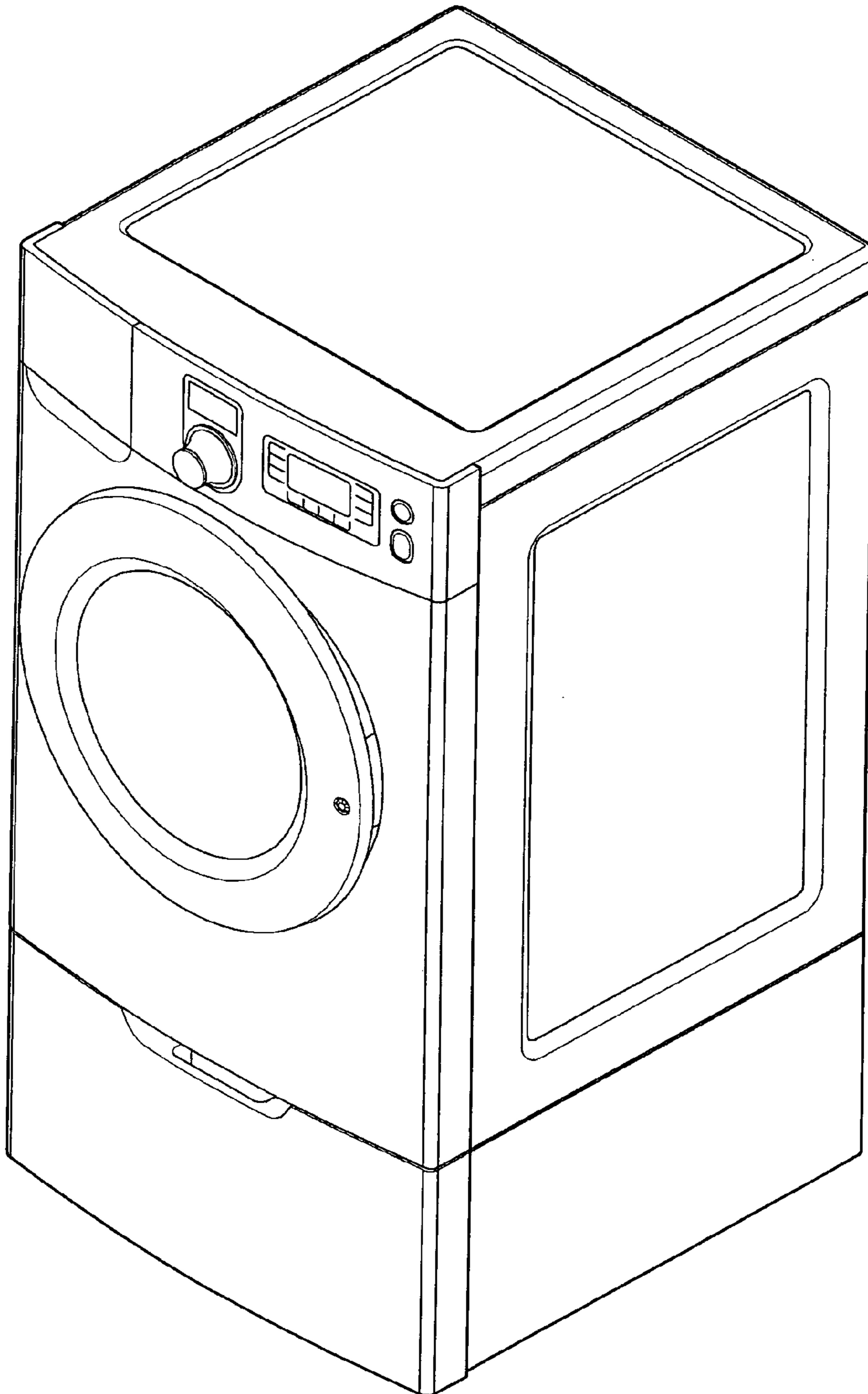


FIG. 2

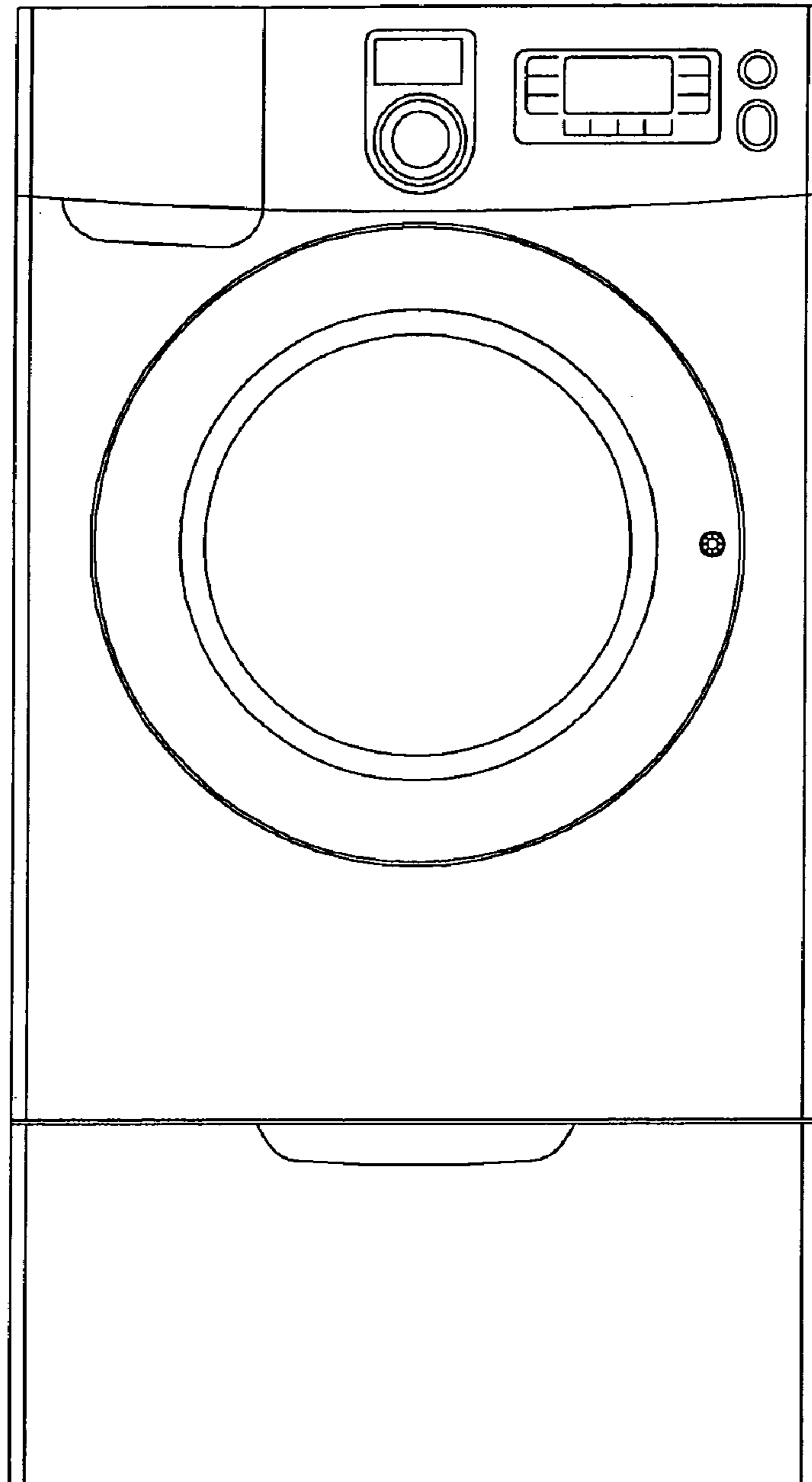


FIG. 3

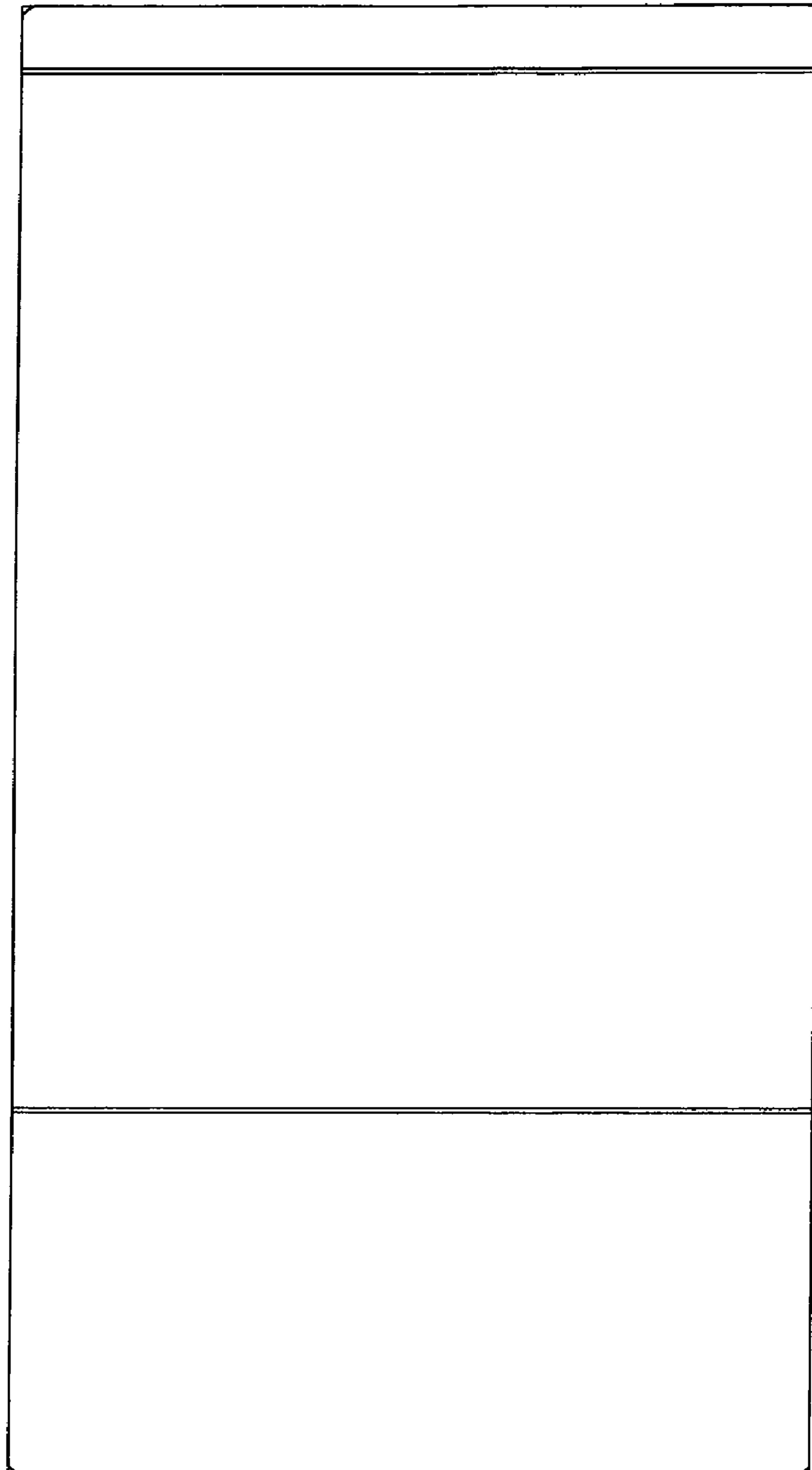


FIG. 4

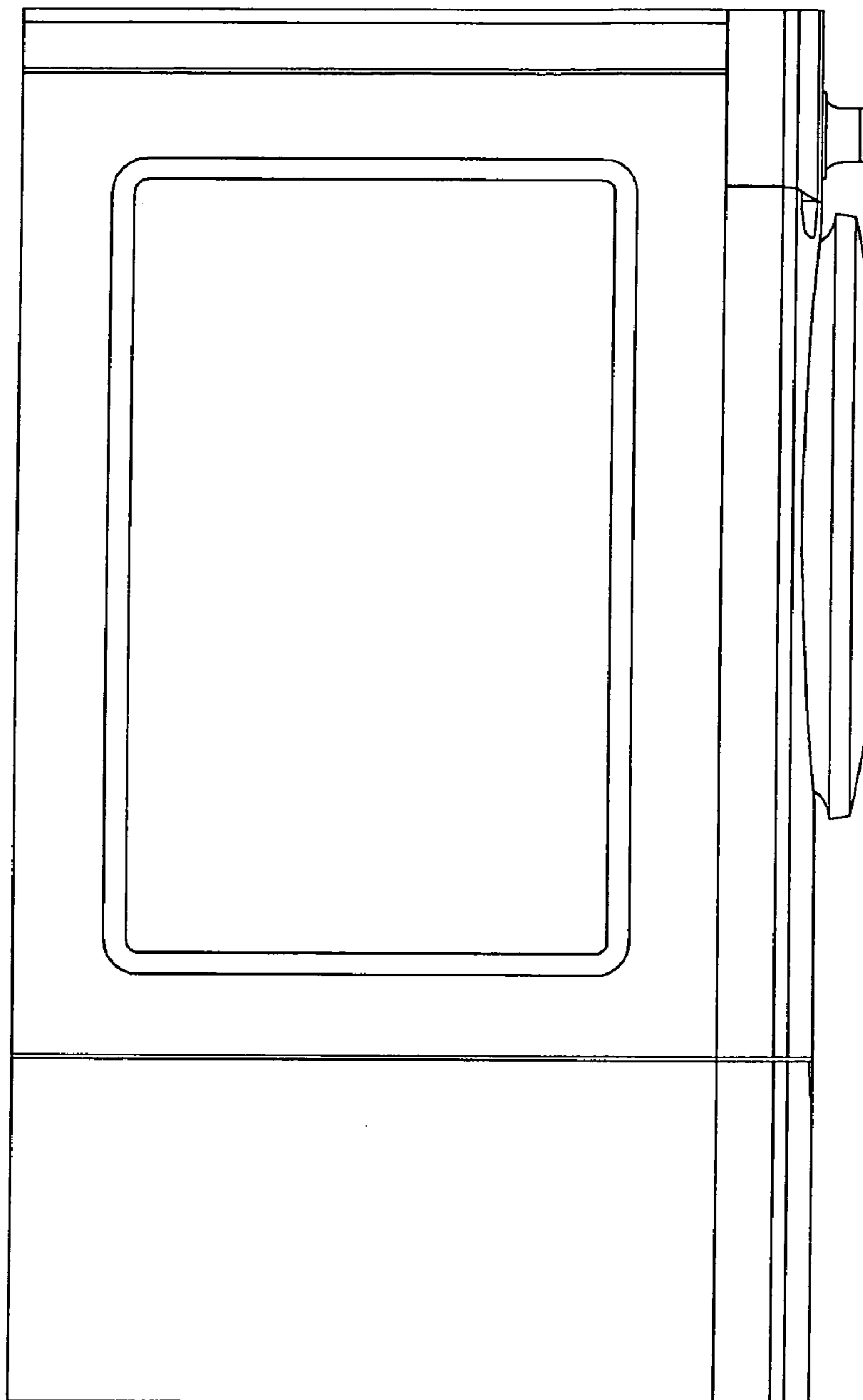


FIG. 5

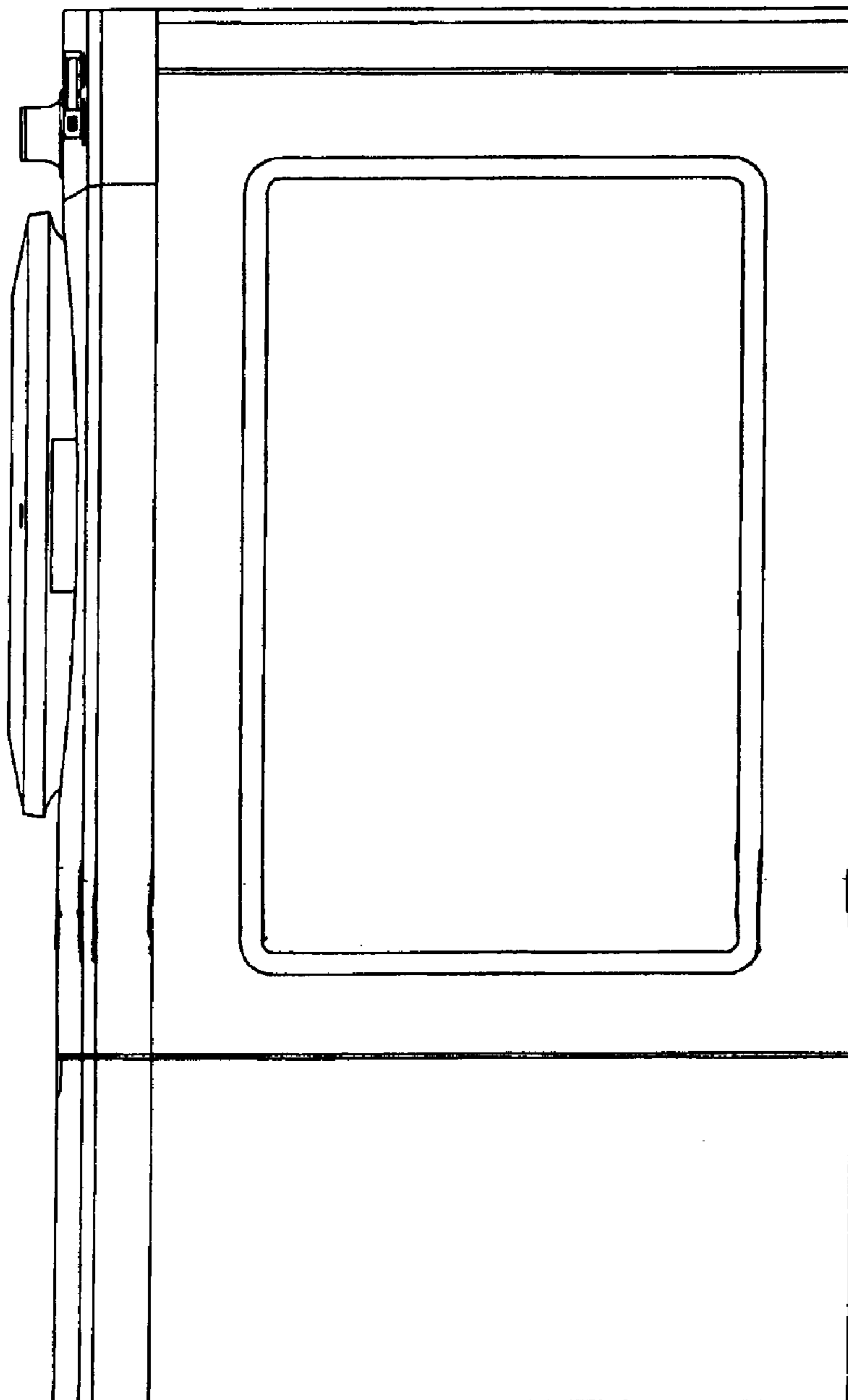


FIG. 6

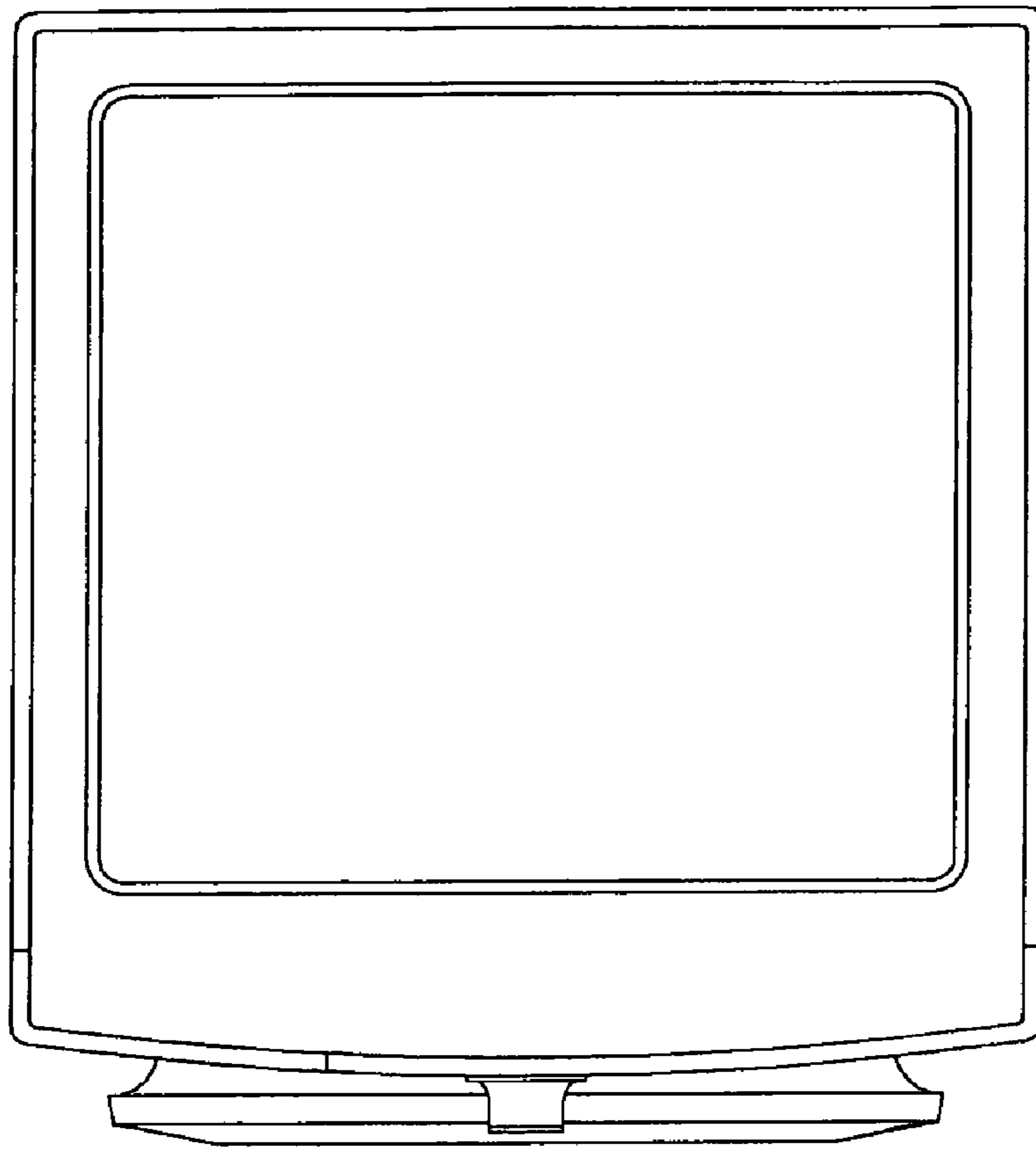


FIG. 7

