



US00D572416S

(12) **United States Design Patent**
Dye, Jr.

(10) **Patent No.:** **US D572,416 S**
(45) **Date of Patent:** **** Jul. 1, 2008**

(54) **TWO BOWL BIRD BATH**

(76) Inventor: **Gordon S. Dye, Jr.**, 715 Thompson,
Sheffield, IA (US) 50475

(**) Term: **14 Years**

(21) Appl. No.: **29/293,565**

(22) Filed: **Dec. 3, 2007**

Related U.S. Application Data

(62) Division of application No. 29/260,467, filed on May
26, 2006, now Pat. No. Des. 559,471.

(51) **LOC (8) Cl.** **30-07**

(52) **U.S. Cl.** **D30/123**

(58) **Field of Classification Search** D30/123,
D30/129, 132, 121; 119/69.5, 673, 57.8,
119/68, 74, 61.57, 78-81, 61.4, 57.9, 51.5,
119/61.5, 72; 47/66.6, 39, 67, 83; 239/27,
239/280, 200, 281, 280.5, 273, 16, 17, 20,
239/22; 4/644, 627, 638; D7/558; D11/144,
D11/145, 153; D99/5, 24; 27/1; D23/201,
D23/292; 248/127, 132, 137, 138, 158, 910;
215/10; D6/353, 352, 484, 360, 480, 488;
219/521; 329/442, 459

See application file for complete search history.

(56) **References Cited**

U.S. PATENT DOCUMENTS

968,613 A	8/1910	Van Ostrand	
1,224,305 A *	5/1917	Kraus	119/69.5
D60,912 S	4/1922	Lyon	
2,796,042 A *	6/1957	Cope	119/69.5
3,084,666 A	4/1963	Plaisance	
D197,234 S	12/1963	Karlik	
3,176,676 A	4/1965	Caldwell	

3,648,659 A *	3/1972	Jones	119/69.5
3,995,591 A *	12/1976	Garwood	119/69.5
4,286,546 A	9/1981	Moore	
5,577,344 A	11/1996	Zaremba et al.	
5,715,954 A *	2/1998	Zaremba	211/107
5,931,118 A	8/1999	Thompson	
6,123,206 A	9/2000	Zaremba	
D451,250 S	11/2001	Chrisco et al.	
6,684,813 B1	2/2004	Lemon	
6,971,613 B2 *	12/2005	Shendelman	248/150
2004/0134439 A1 *	7/2004	Flowers et al.	119/69.5
2005/0056227 A1	3/2005	Flowers et al.	
2006/0169213 A1 *	8/2006	Montie et al.	119/69.5

* cited by examiner

Primary Examiner—Melanie Tung

Assistant Examiner—Susan Moon Lee

(74) *Attorney, Agent, or Firm*—Richard John Bartz

(57) **CLAIM**

I claim the ornamental design for a two bowl bird bath, as
shown and described.

DESCRIPTION

FIG. 1 is a perspective view of the two-bowl bird bath of my
design;

FIG. 2 is a front elevational view thereof, the rear elevational
being a mirror image thereof;

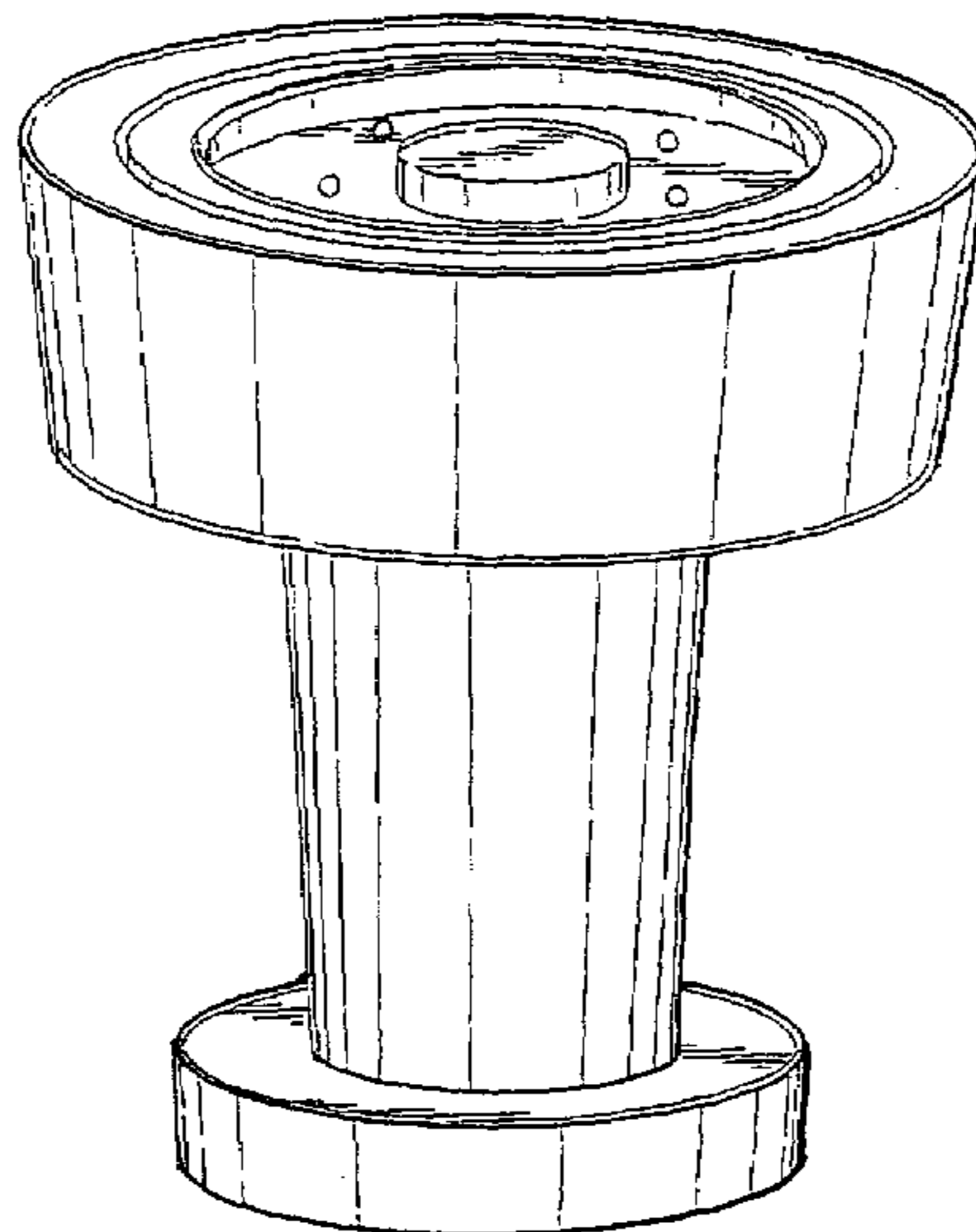
FIG. 3 is a side elevational view of the right side thereof, the
side elevational view of the left side being a mirror image
thereof;

FIG. 4 is a top plan view thereof,

FIG. 5 is a bottom plan view thereof; and,

FIG. 6 is an enlarged sectional view taken along line 6—6 of
FIG. 4.

1 Claim, 3 Drawing Sheets



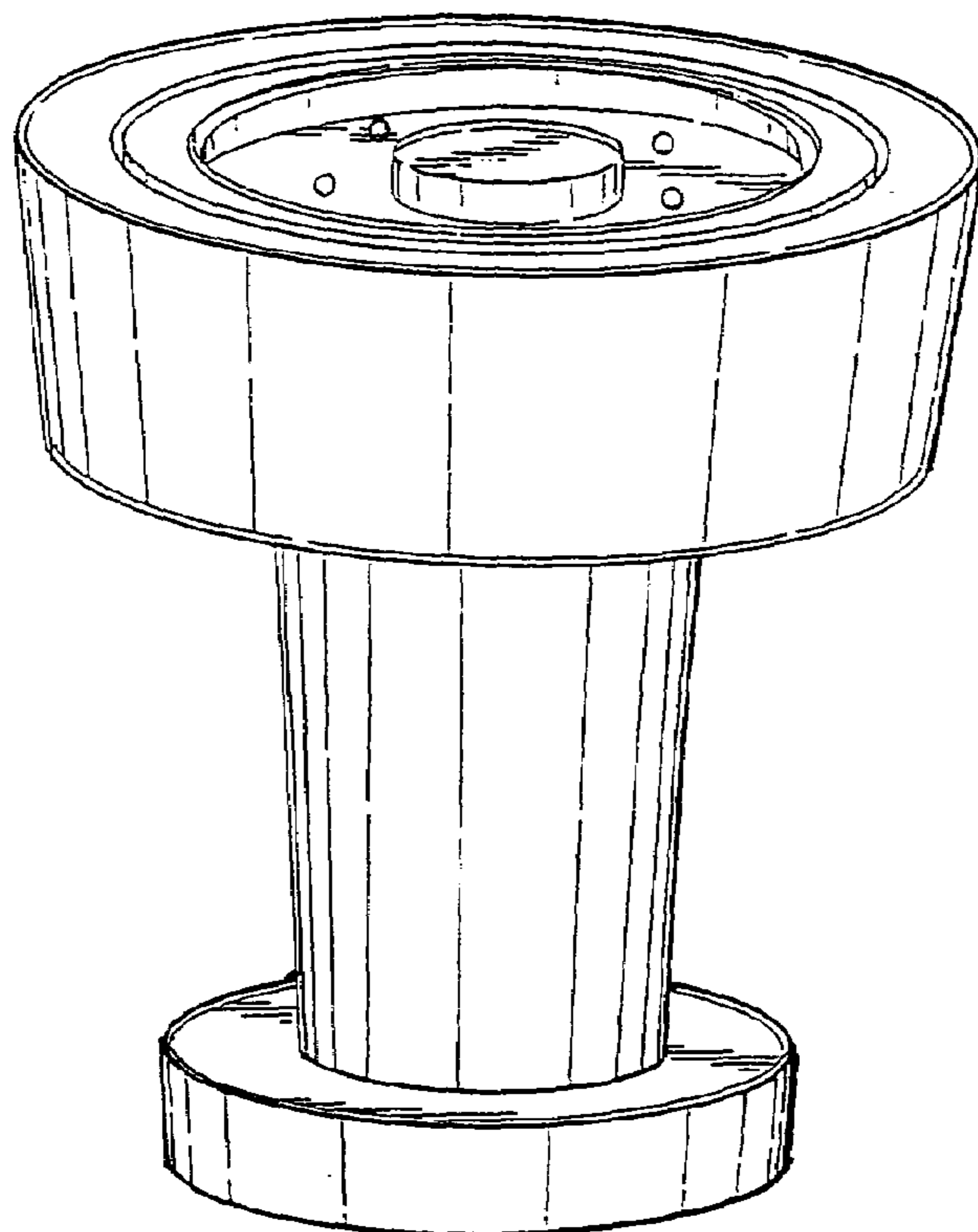


FIG. 1

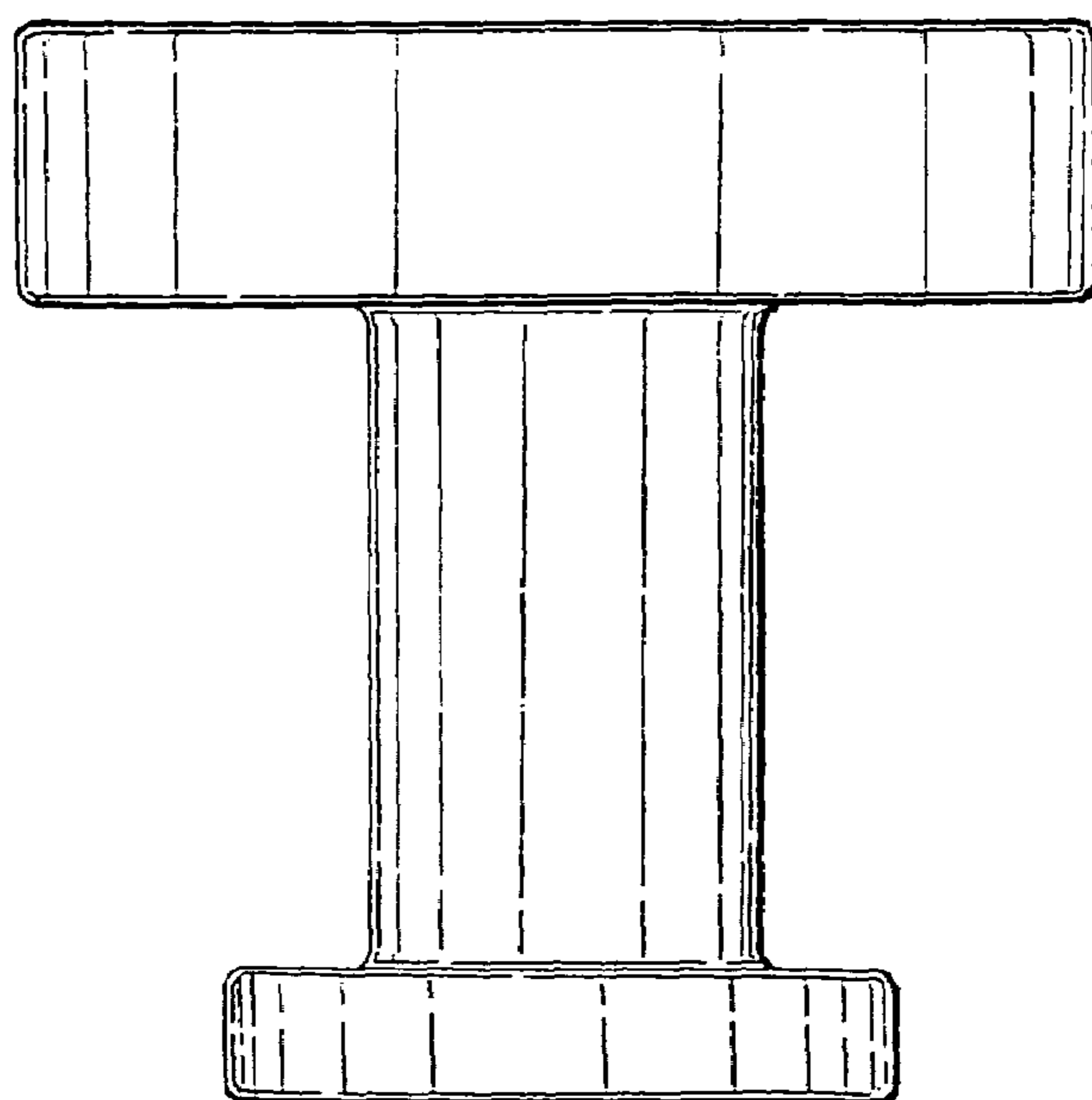


FIG. 2

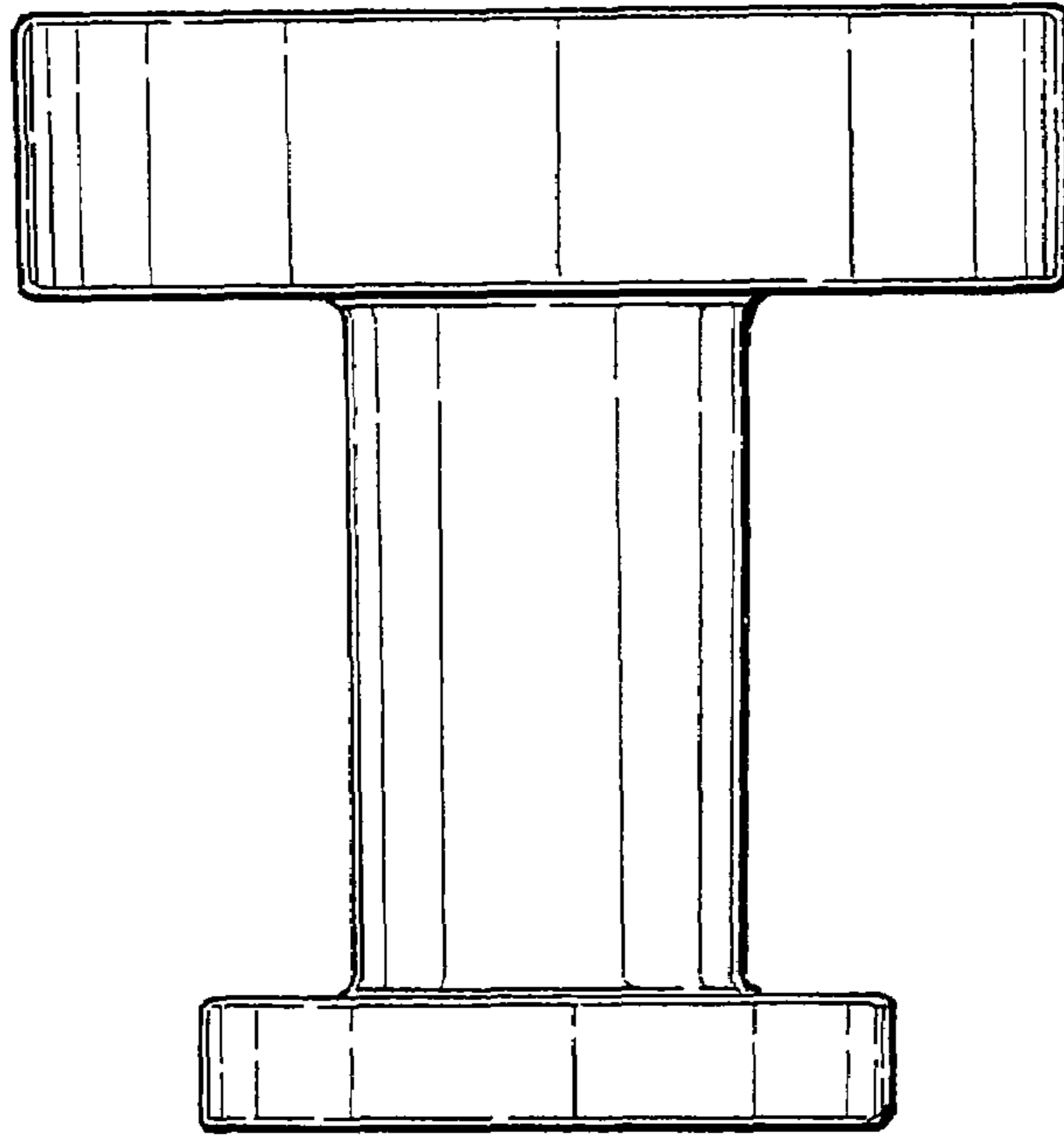


FIG. 3

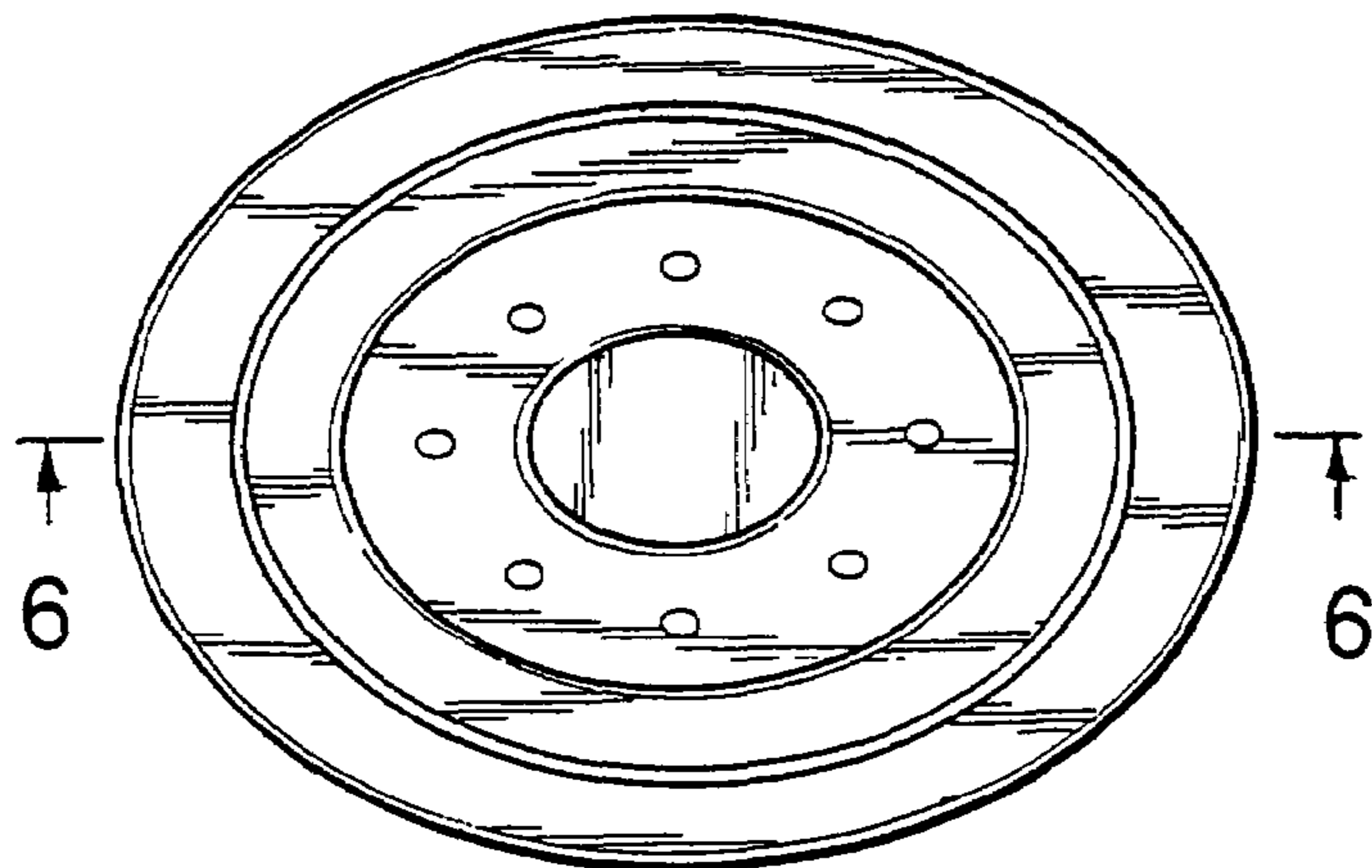


FIG. 4

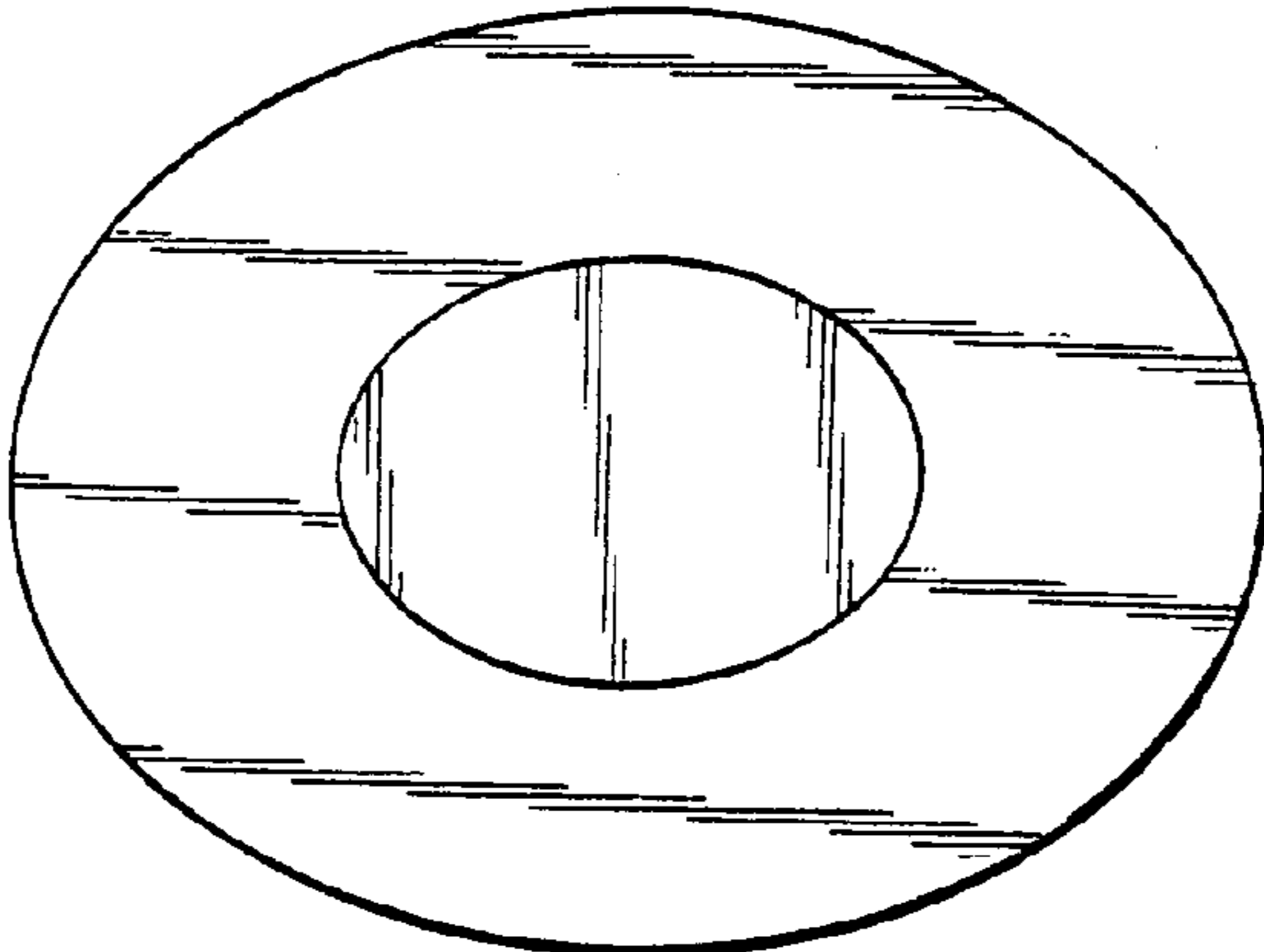


FIG. 5

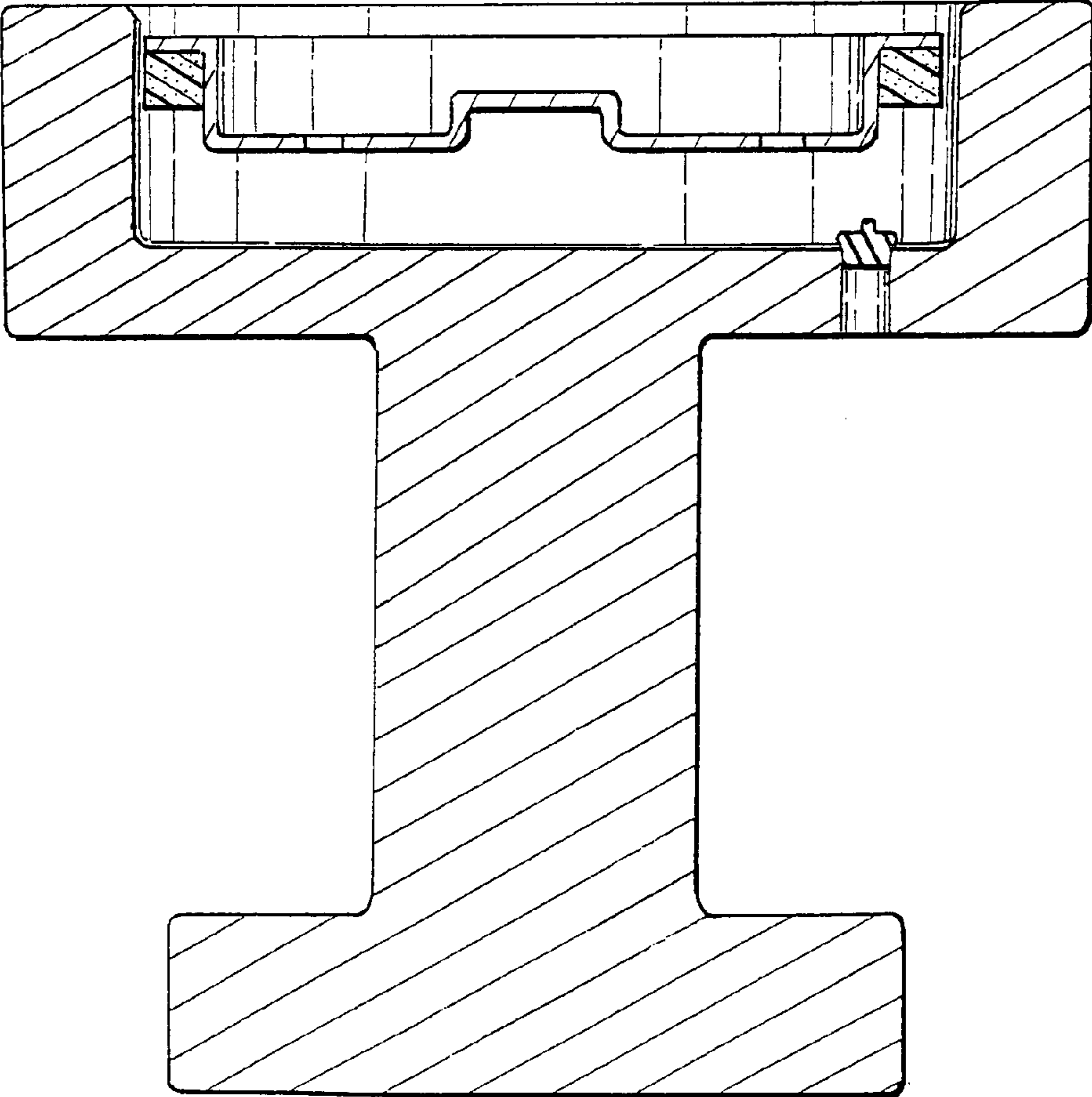


FIG. 6